

US00D825360S

(12) **United States Design Patent** (10) **Patent No.:** **US D825,360 S**  
**Ito et al.** (45) **Date of Patent:** **\*\* Aug. 14, 2018**

(54) **SUBSTRATE FOR SPECTROSCOPIC ANALYSIS**  
(71) Applicant: **HAMAMATSU PHOTONICS K.K.**, Shizuoka (JP)  
(72) Inventors: **Masashi Ito**, Hamamatsu (JP); **Katsumi Shibayama**, Hamamatsu (JP); **Kazuto Ofuji**, Hamamatsu (JP); **Yoshihiro Maruyama**, Hamamatsu (JP); **Mitsuhiro Ito**, Hamamatsu (JP); **Toshiyuki Nagata**, Hamamatsu (JP); **Hisashi Takamori**, Hamamatsu (JP)

D274,261 S 6/1984 Valencia  
5,784,193 A 7/1998 Ferguson  
5,812,312 A 9/1998 Lorincz  
D407,765 S \* 4/1999 Zheng ..... D21/491  
D676,497 S \* 2/2013 Mimplitch, III ..... D21/491  
D683,045 S 5/2013 Domack  
D692,064 S \* 10/2013 Kim ..... D21/385  
D702,364 S 4/2014 Iqbal et al.  
D735,877 S 8/2015 Chang  
D754,871 S 4/2016 Morrell-Falvey et al.  
D788,232 S \* 5/2017 Koeberl ..... D21/491  
D808,833 S \* 1/2018 Abbott ..... D10/81  
D810,207 S \* 2/2018 Jasper ..... D21/491  
2005/0237607 A1 10/2005 Tenney

(73) Assignee: **HAMAMATSU PHOTONICS K.K.**, Hamamatsu-shi, Shizuoka (JP)

(\*\*) Term: **15 Years**

(21) Appl. No.: **35/502,700**

(22) Filed: **Sep. 30, 2016**

(80) **Hague Agreement Data**

Int. Filing Date: **Sep. 30, 2016**  
Int. Reg. No.: **DM/092885**  
Int. Reg. Date: **Sep. 30, 2016**  
Int. Reg. Pub. Date: **Mar. 31, 2017**

(30) **Foreign Application Priority Data**

Apr. 27, 2016 (JP) ..... 2016-009314

(51) **LOC (11) Cl.** ..... **10-04**

(52) **U.S. Cl.**  
USPC ..... **D10/81**

(58) **Field of Classification Search**  
USPC ..... D10/81; D21/484, 489, 491  
See application file for complete search history.

(56) **References Cited**

U.S. PATENT DOCUMENTS

3,736,042 A 5/1973 Markovits et al.  
D273,898 S 5/1984 Valencia

**OTHER PUBLICATIONS**

Office Action dated Mar. 6, 2018 in Design U.S. Appl. No. 35/502,701.

\* cited by examiner

*Primary Examiner* — George D. Kirschbaum  
(74) *Attorney, Agent, or Firm* — Drinker Biddle & Reath LLP

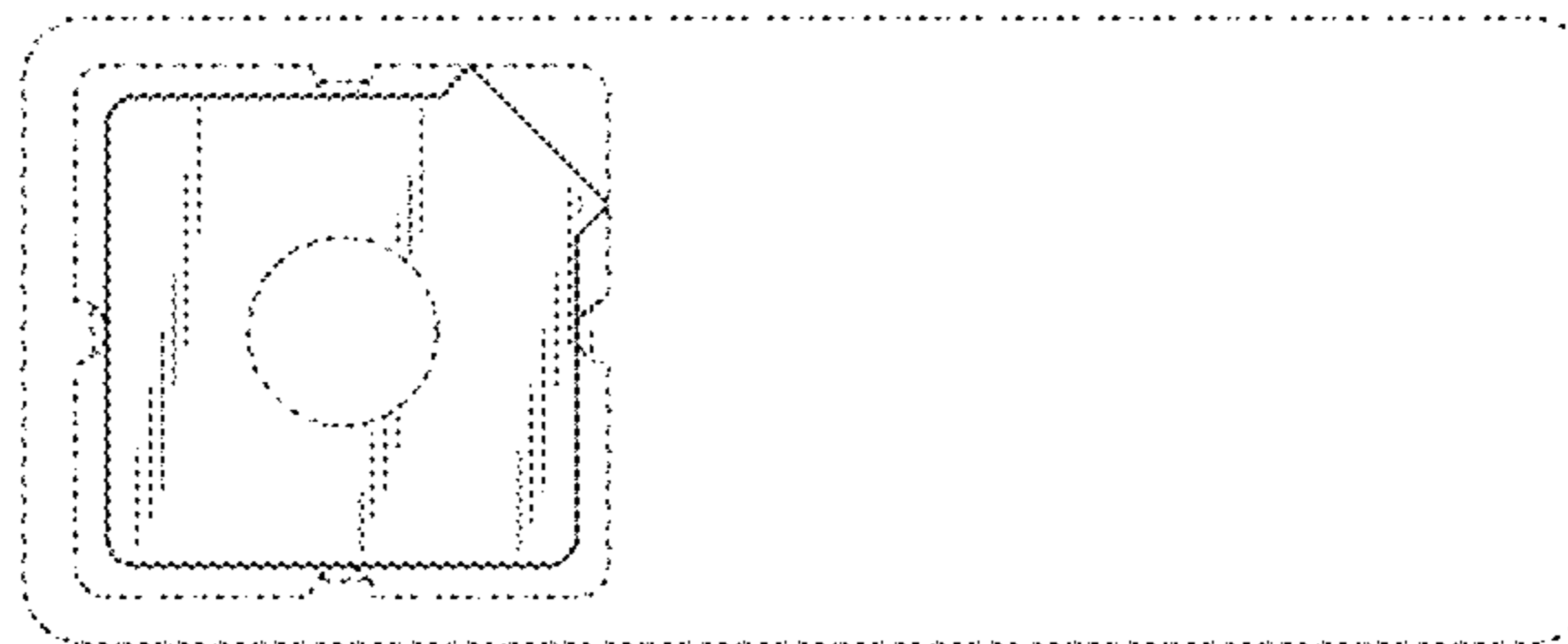
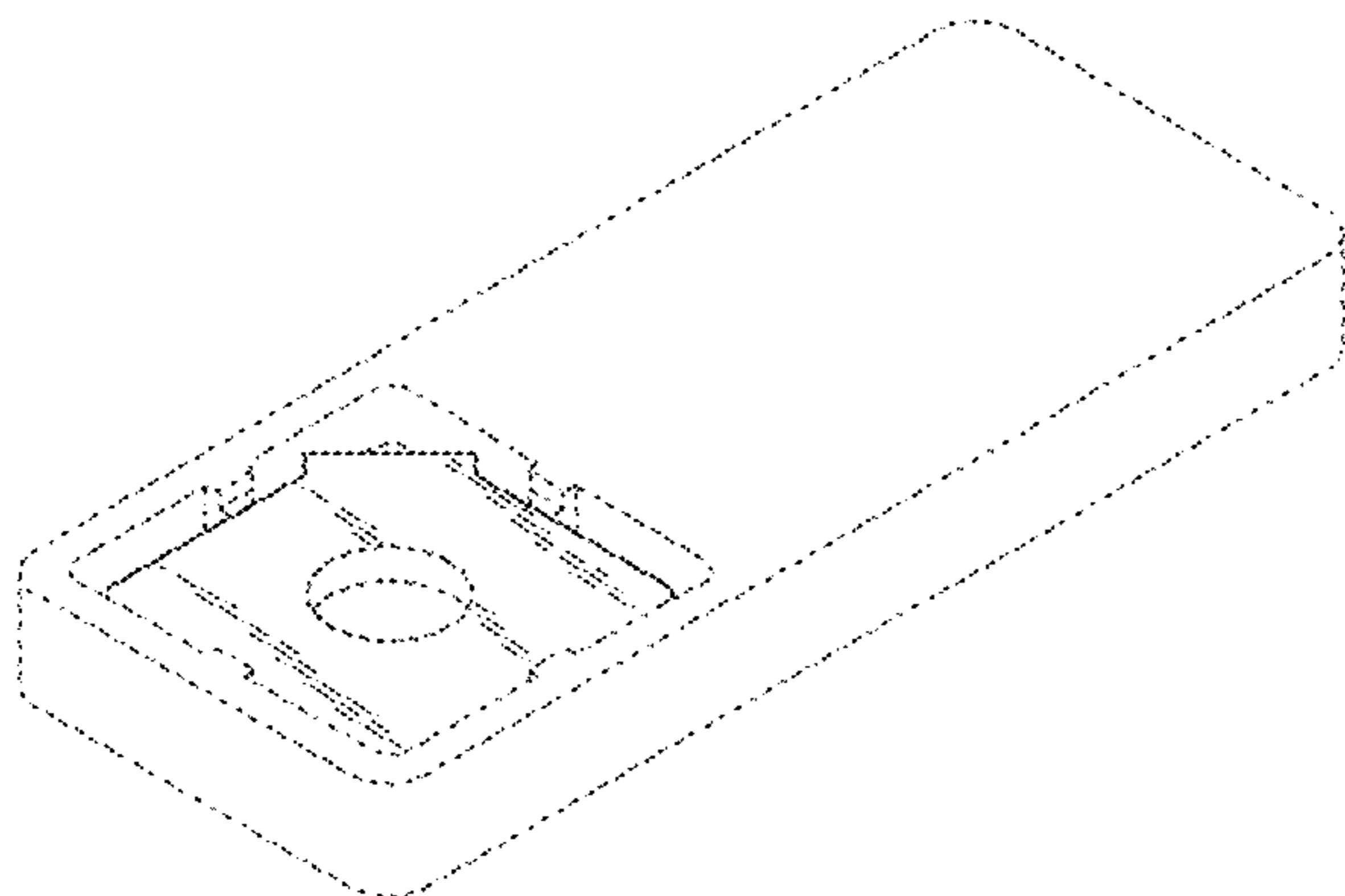
(57) **CLAIM**

The ornamental design for a substrate for spectroscopic analysis, as shown and described.

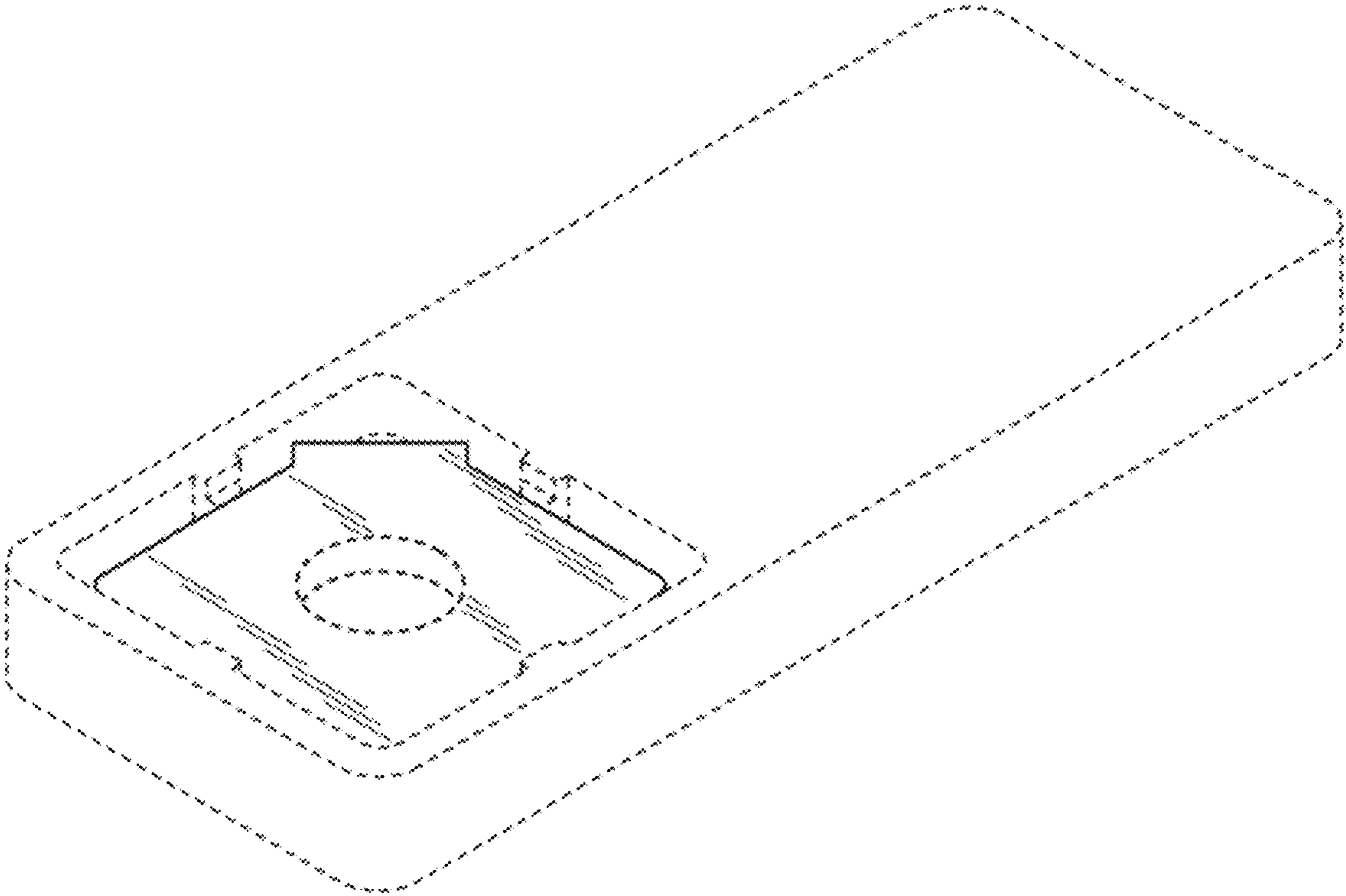
**DESCRIPTION**

- 1. Substrate for spectroscopic analysis
- 1.1 : Perspective
- 1.2 : Front
- 1.3 : Back
- 1.4 : Top
- 1.5 : Bottom
- 1.6 : Left
- 1.7 : Right
- 1.8 : SECTIONAL VIEW
- 1.9 : SECTIONAL VIEW
- 1.10 : REFERENCE VIEW SHOWING THE STATE IN USE

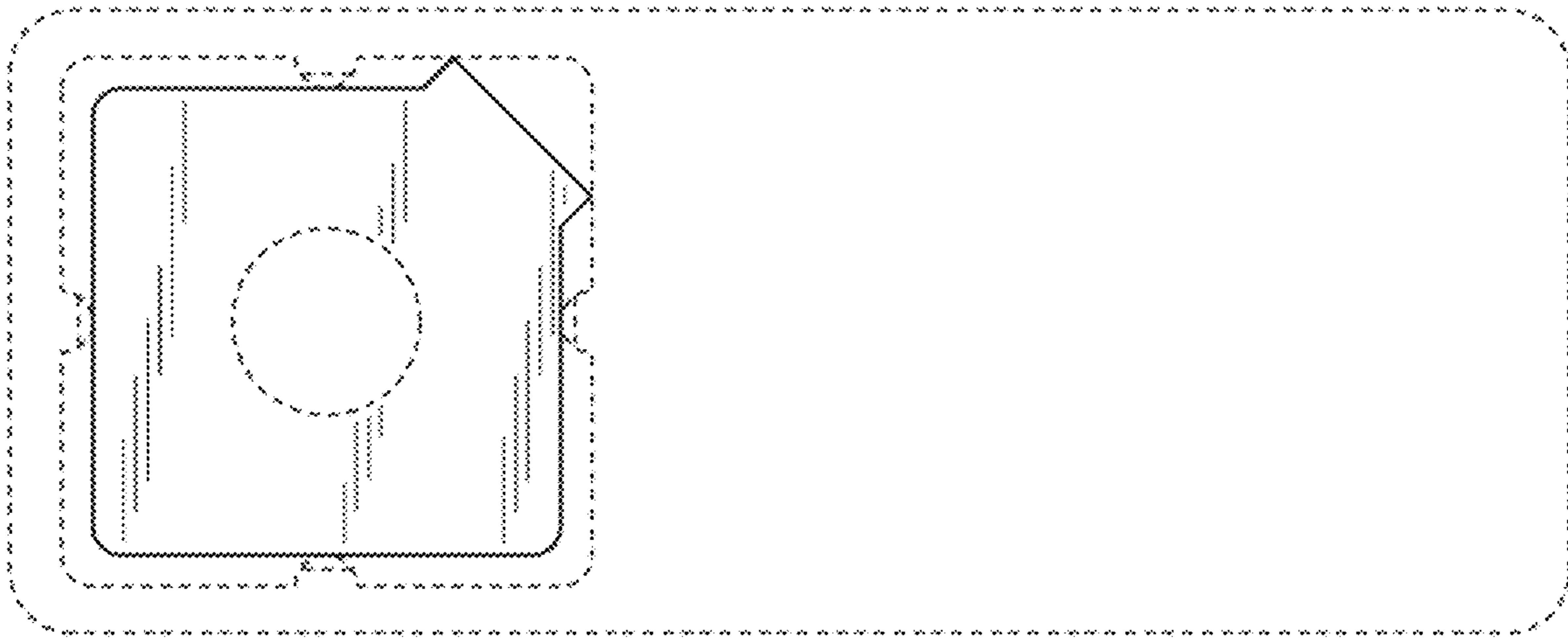
**1 Claim, 10 Drawing Sheets**



1.1



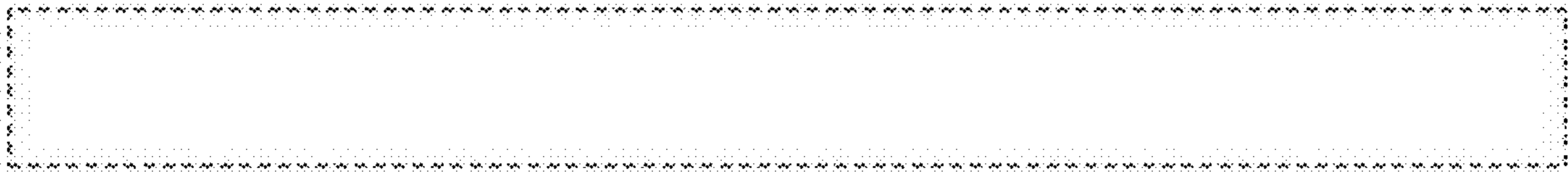
1.2



**1.3**



**1.4**



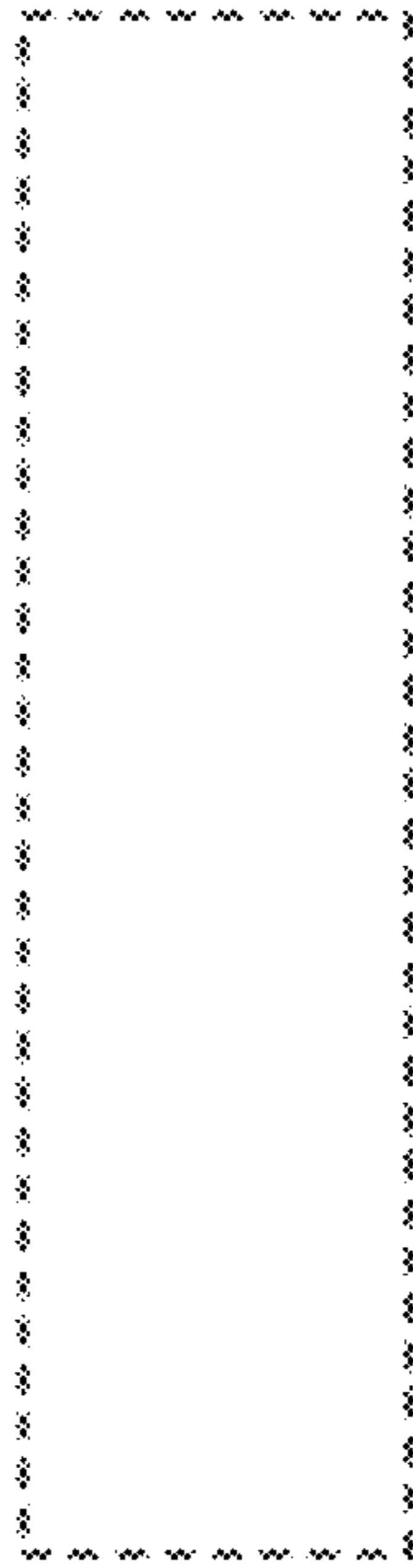
**1.5**



**1.6**

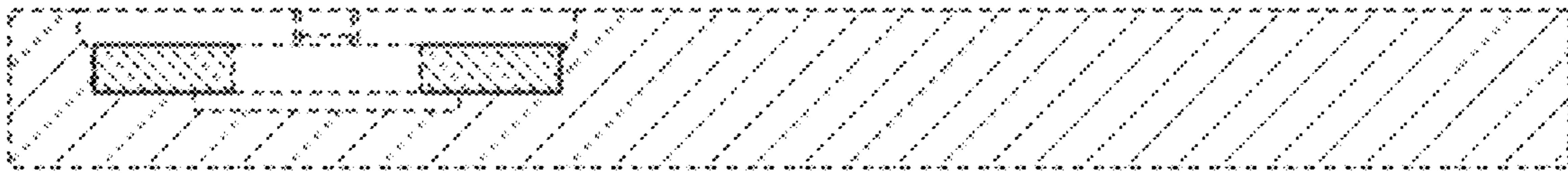


**1.7**

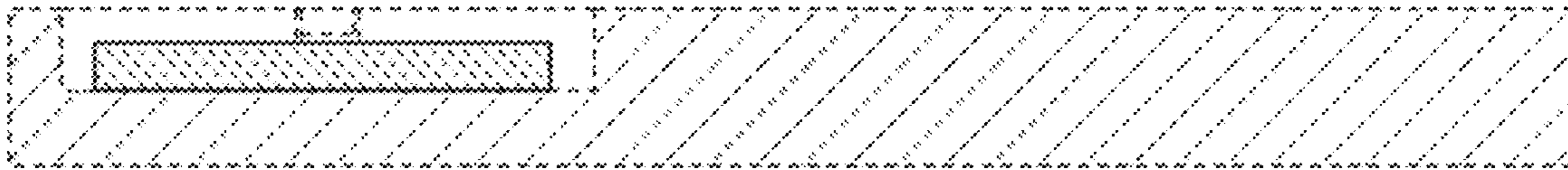




1.8



1.9



**1.10**

