



US00D825359S

(12) **United States Design Patent** (10) **Patent No.:** **US D825,359 S**
Lee et al. (45) **Date of Patent:** **** Aug. 14, 2018**

(54) **MOTION DETECTOR** 6,678,001 B1 * 1/2004 Elberbaum G08B 13/19619
348/373
(71) Applicant: **LG ELECTRONICS INC.**, Seoul D758,905 S * 6/2016 Evans D10/106.1
(KR) D761,138 S * 7/2016 Manabe D10/65
D764,335 S * 8/2016 Thornton D10/106.6
(72) Inventors: **Hophil Lee**, Seoul (KR); **Kyoungjong** D782,349 S * 3/2017 Konotopskyi D10/106.6
Kim, Seoul (KR); **Bonghui Kang**, D782,926 S * 4/2017 Hojo D10/65
Seoul (KR) D788,607 S * 6/2017 Ji D10/70
D790,996 S * 7/2017 Farley D10/104.2
(73) Assignee: **LG ELECTRONICS INC.**, Seoul D796,975 S * 9/2017 Jou D10/106.6
(KR) D801,200 S * 10/2017 Farley D10/70
D801,841 S * 11/2017 Chen D10/106.6

(**) Term: **15 Years**

(21) Appl. No.: **35/502,238**

(22) Filed: **Jul. 6, 2016**

(80) **Hague Agreement Data**

Int. Filing Date: **Jul. 6, 2016**
Int. Reg. No.: **DM/091696**
Int. Reg. Date: **Jul. 6, 2016**
Int. Reg. Pub. Date: **Jan. 6, 2017**

(30) **Foreign Application Priority Data**

Jan. 7, 2016 (KR) 30-2016-0000706

(51) **LOC (11) Cl.** **10-04**

(52) **U.S. Cl.**
USPC **D10/70; D10/106.6**

(58) **Field of Classification Search**
USPC D10/30-33, 38, 46, 50-54, 57, 59, 65,
D10/68, 70, 106.1, 106.6, 114.9, 116.1,
D10/116.6, 119.4; D14/94, 344;
D24/167, 186, 187

CPC .. G08B 17/107; G08B 21/02; G05D 23/1917;
G05D 23/1904

See application file for complete search history.

(56) **References Cited**

U.S. PATENT DOCUMENTS

D412,924 S * 8/1999 Hiraguchi D16/203
D415,509 S * 10/1999 Hiraguchi D16/203

* cited by examiner

Primary Examiner — Darlington Ly

(74) *Attorney, Agent, or Firm* — Birch, Stewart, Kolasch
& Birch, LLP

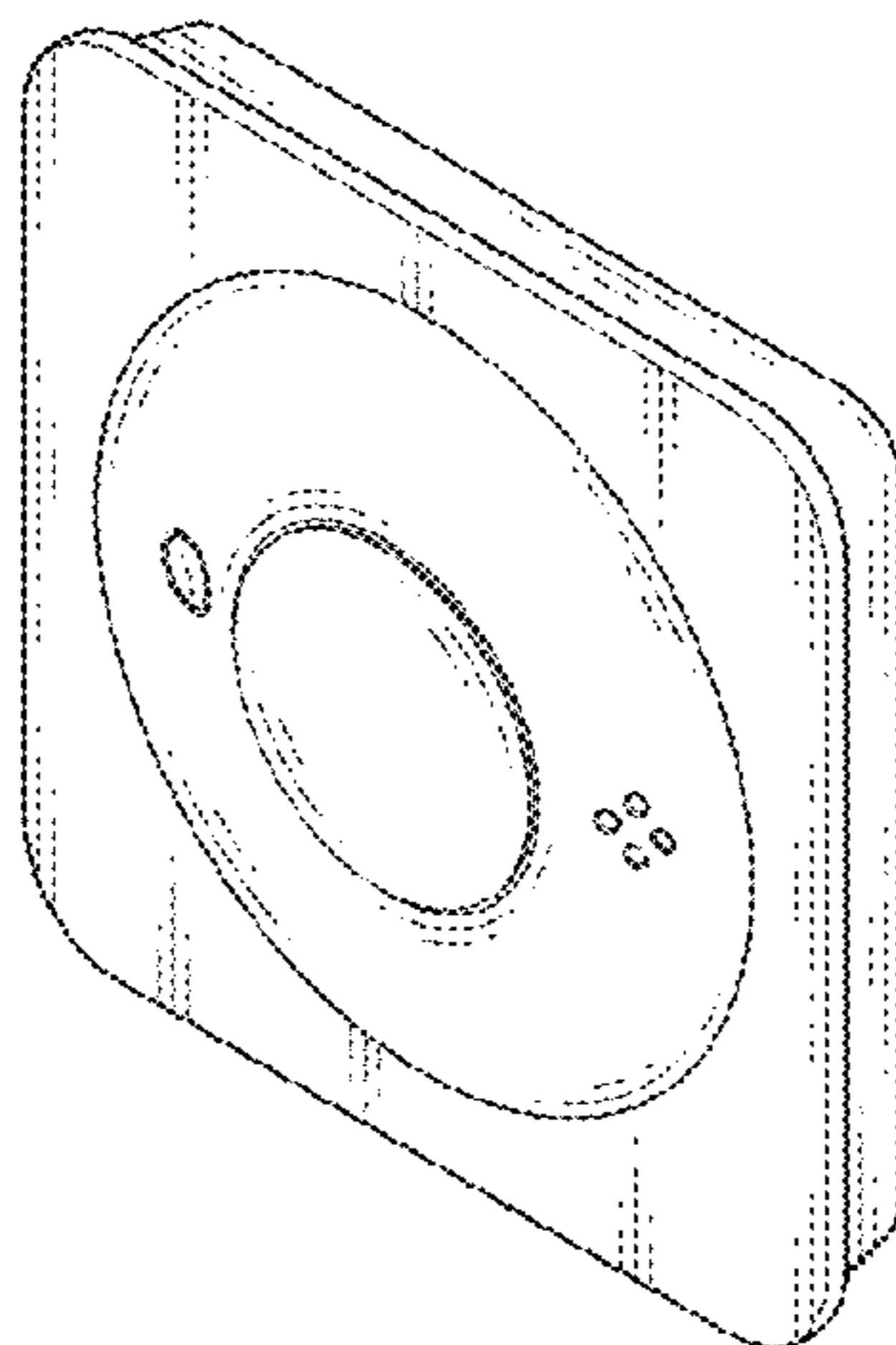
(57) **CLAIM**

The ornamental design for a motion detector, as shown and described.

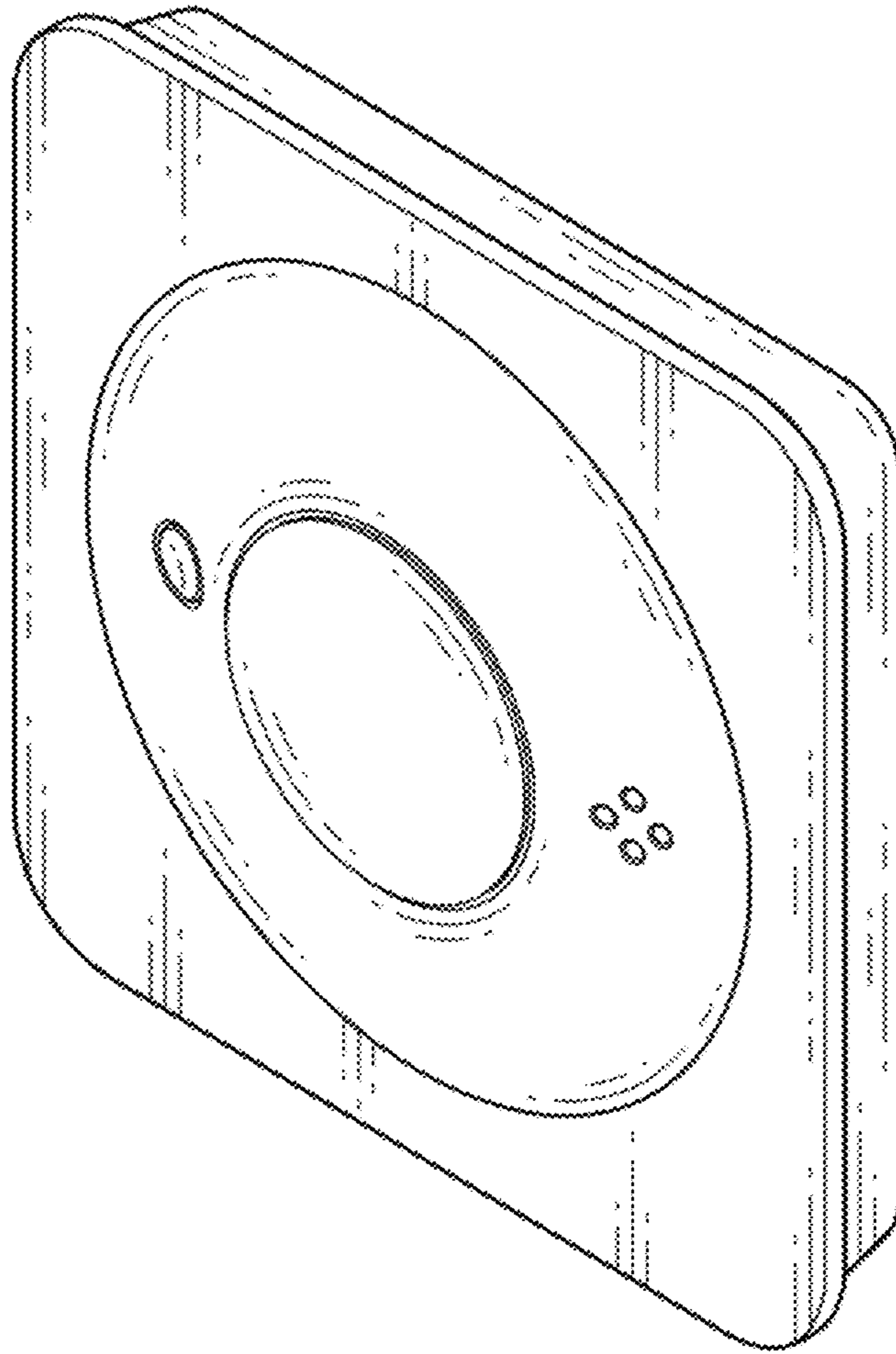
DESCRIPTION

1. Motion detector
1.1 is a front perspective view of a motion detector showing our new design;
1.2 is a front elevation view thereof;
1.3 is a rear elevation view thereof;
1.4 is a left side elevation view thereof;
1.5 is a right side elevation view thereof;
1.6 is a top plan view thereof;
1.7 is a bottom plan view thereof;
1.8 is a front perspective view of an exemplary electronic device with the motion detector installed; and
1.9 is an exploded front perspective view of the exemplary electronic device shown in 1.8.
The broken lines in the reproductions illustrate portions of the motion detector and an exemplary electronic device that form no part of the claimed design.

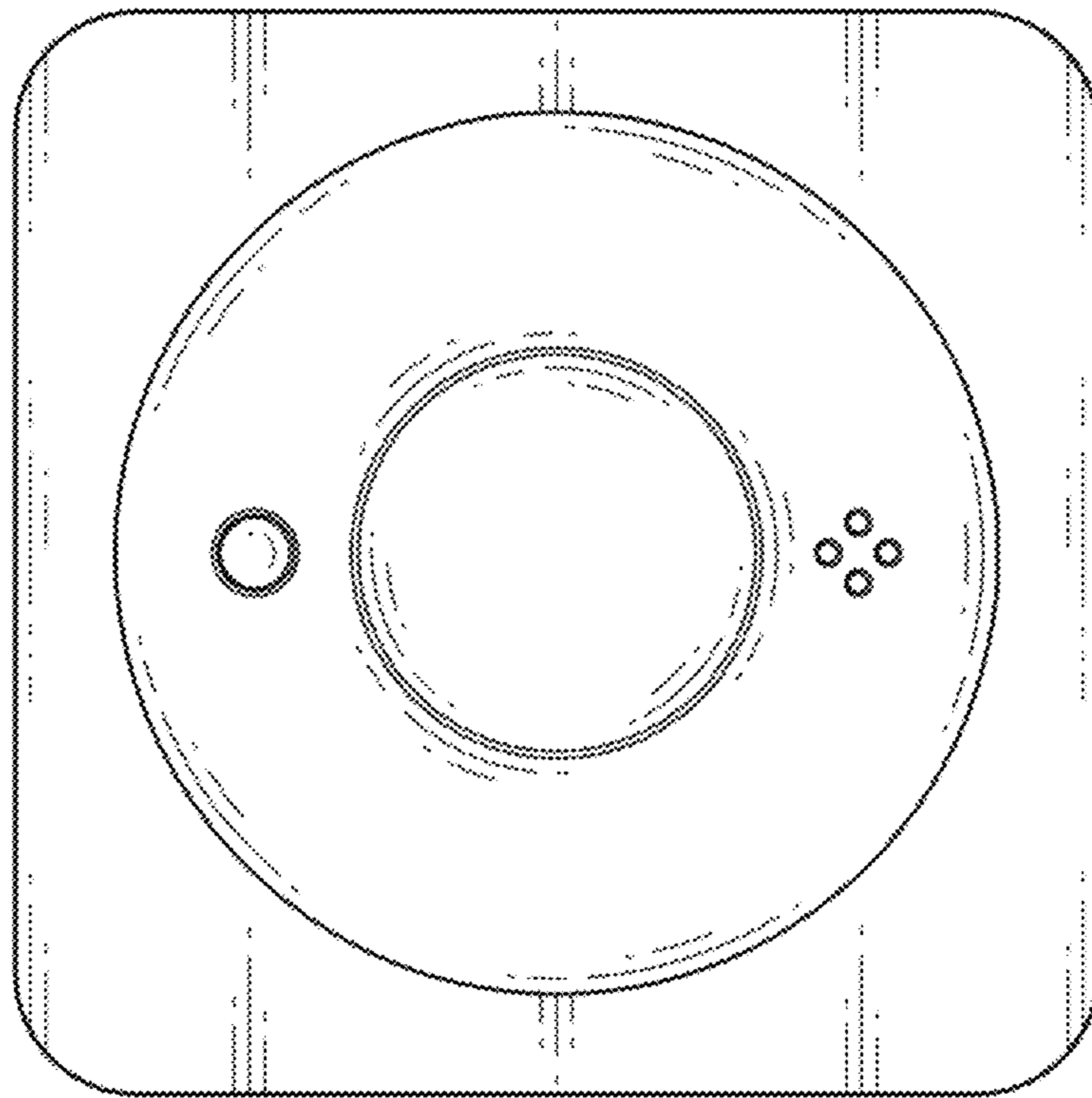
1 Claim, 9 Drawing Sheets



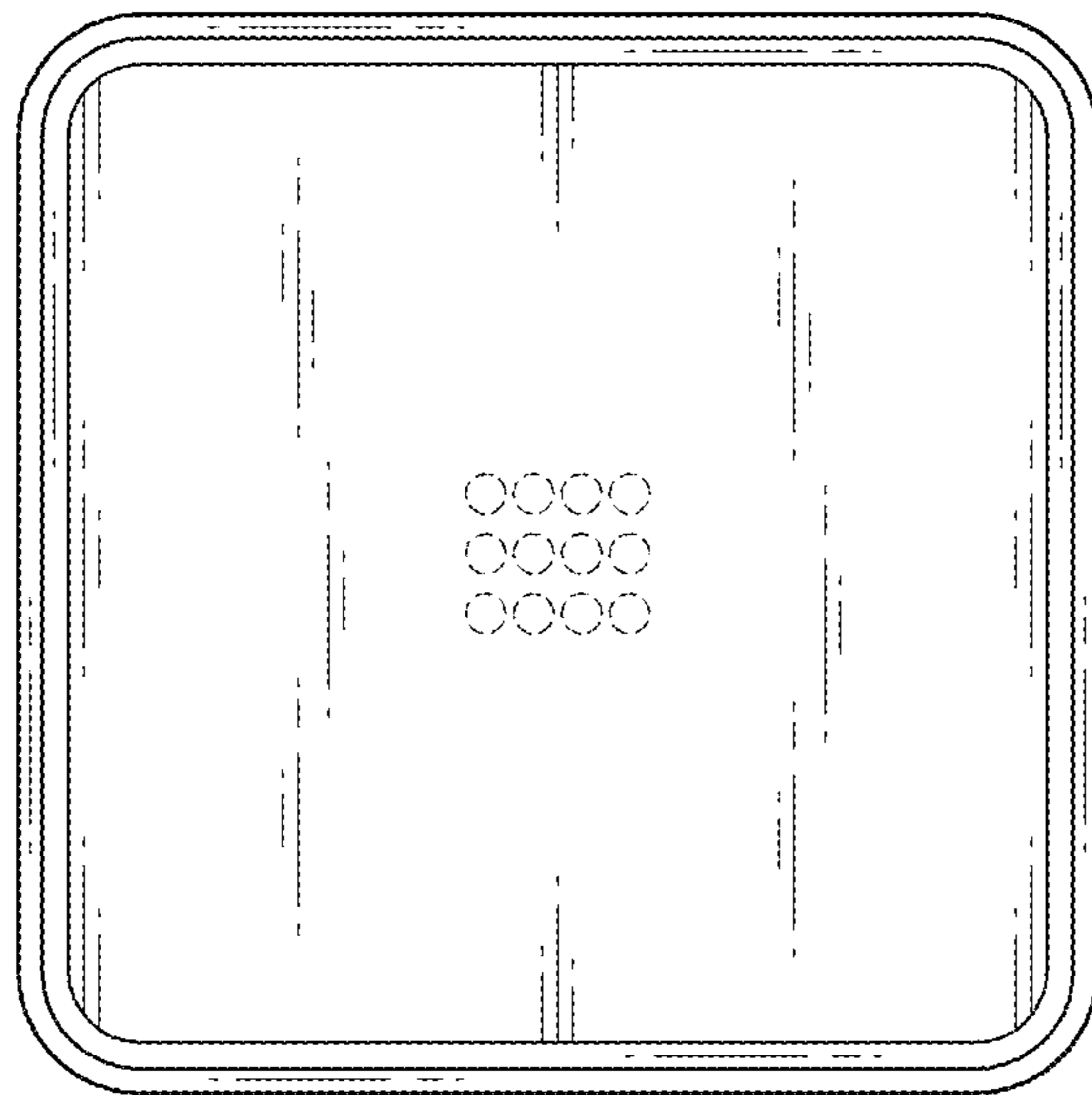
1.1



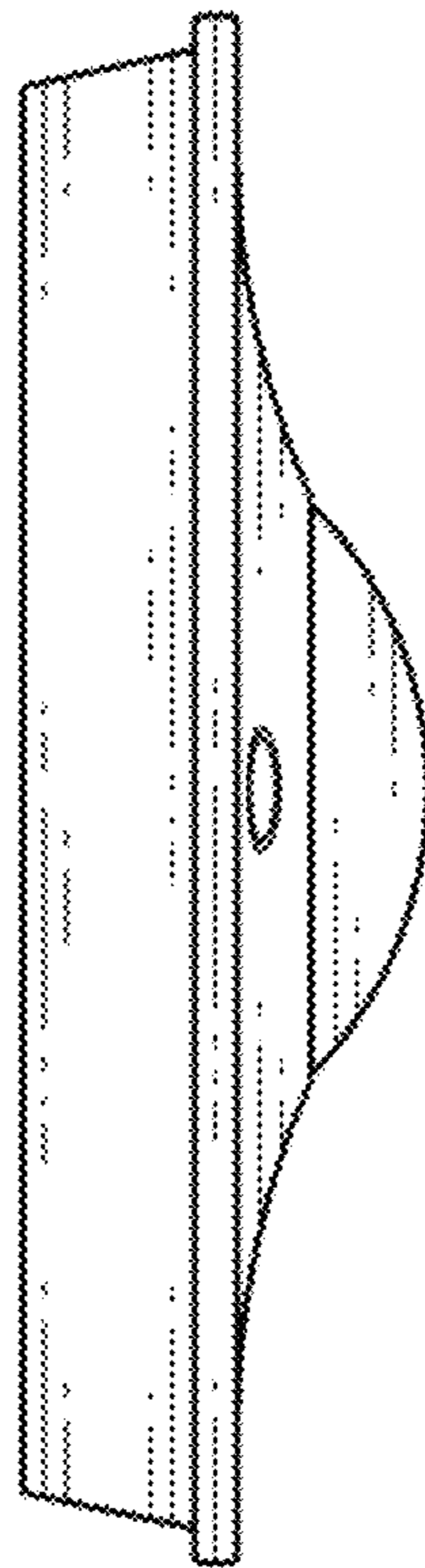
1.2



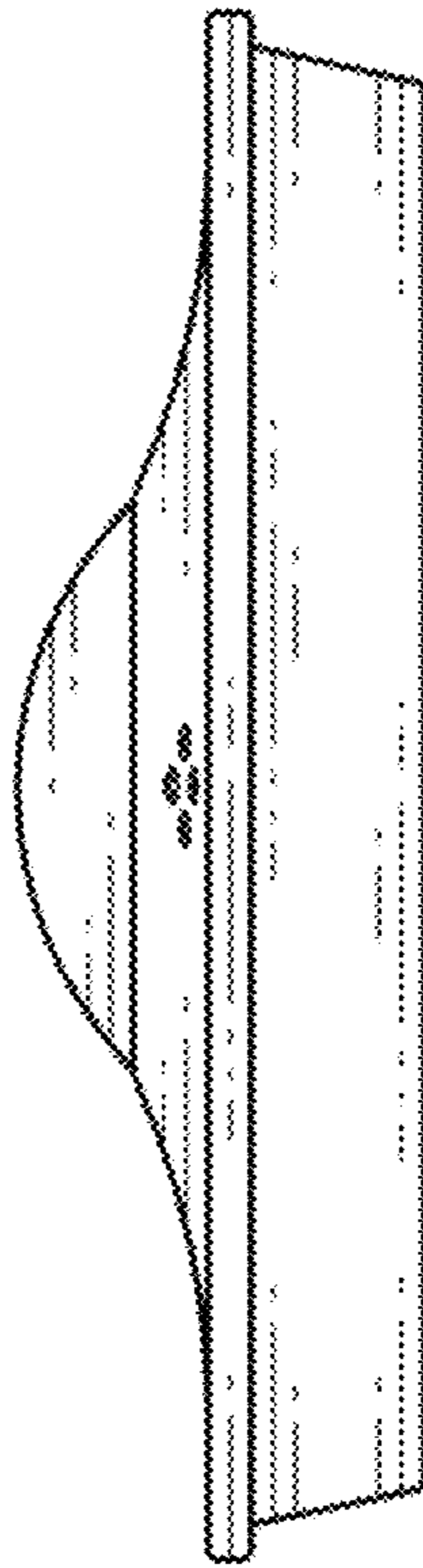
1.3



1.4



1.5



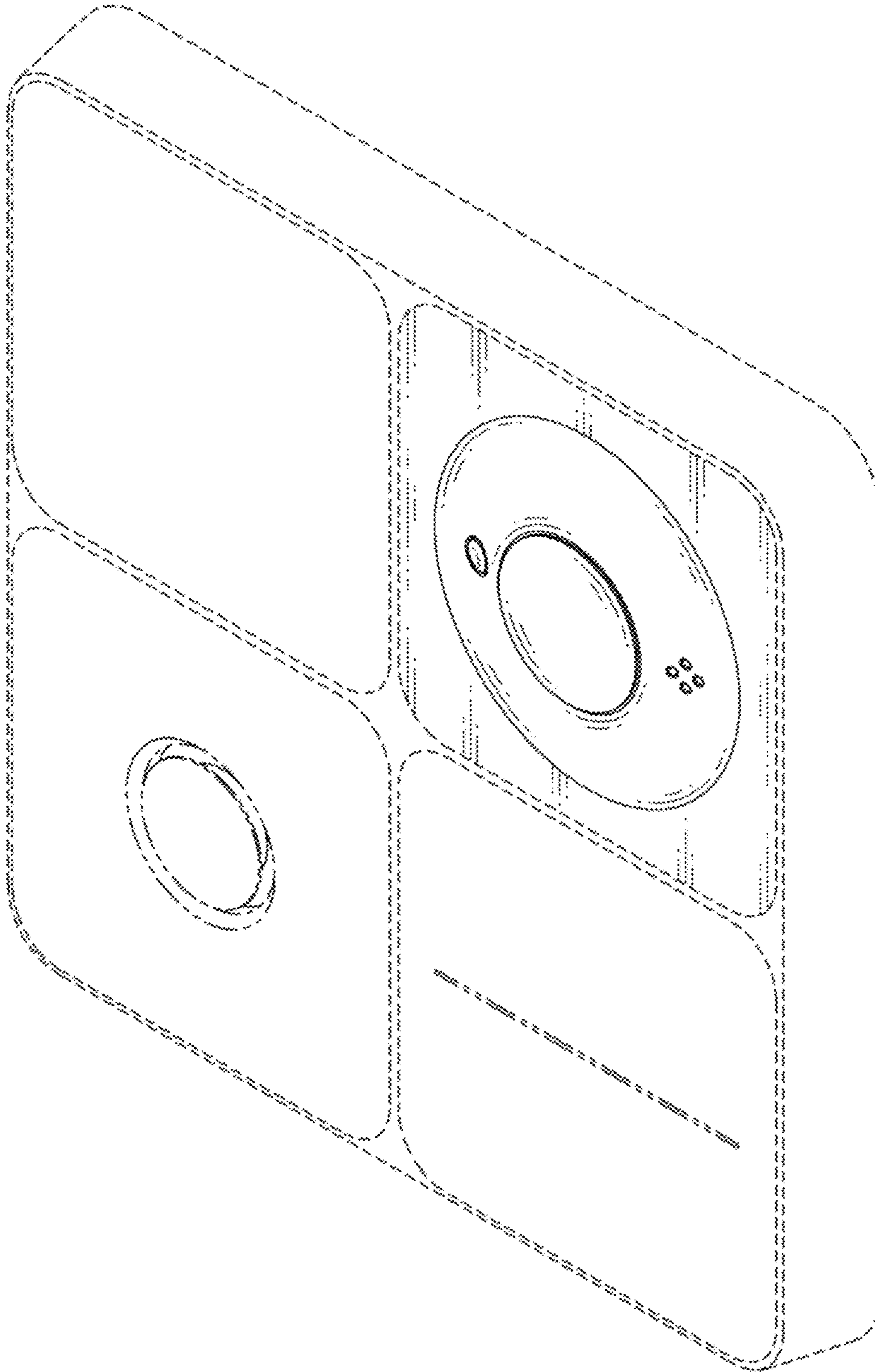
1.6



1.7



1.8



1.9

