



US00D825356S

(12) **United States Design Patent**
Yu

(10) **Patent No.:** **US D825,356 S**
(45) **Date of Patent:** **** Aug. 14, 2018**

(54) **WEARABLE DEVICE**

(71) Applicants: **Anhui Huami Information Technology Co., Ltd.**, Hefei, Anhui (CN); **Huami Inc.**, Mountain View, CA (US)

(72) Inventor: **Pengtao Yu**, Mountain View, CA (US)

(73) Assignees: **Anhui Huami Information Technology Co., Ltd.**, Hefei, Anhui (CN); **Huami Inc.**, Mountain View, CA (US)

(**) Term: **15 Years**

(21) Appl. No.: **29/580,967**

(22) Filed: **Oct. 14, 2016**

(30) **Foreign Application Priority Data**

Apr. 20, 2016 (CN) 2016 3 0135127

(51) **LOC (11) Cl.** **10-04**

(52) **U.S. Cl.**
USPC **D10/70; D10/78; D10/97; D10/98;**
D24/167; D24/186

(58) **Field of Classification Search**

USPC D10/65, 70, 78, 97, 98; D24/167, 168,
D24/186, 187
CPC ... A61B 5/6801; A61B 5/6802; A61B 5/6813;
A61B 5/6814; A61B 5/6815; A61B
5/6816; A61B 5/6817; A61B 5/6818;
A61B 5/6819; A61B 5/6822; A61B
5/6823; A61B 5/6824; A61B 5/6825;
A61B 5/6826; A61B 5/6828; A61B
5/6829; A61B 5/0537; A61B 5/4872;
A61B 5/6831; A61B 5/4869; A61B
5/0858; A61B 5/1075; A61B 5/107; A61B
5/4875; A61B 5/4878; A61B 5/4881;
A61B 5/61-5/6898; A44C 5/00-5/16;
G04B 37/00-37/228; G04B 45/0069;
G04B 47/04; G04B 19/00-19/34; G04B
21/12; G04B 23/12; G04B 47/00-47/068;
G01C 17/00; G01C 21/00-21/3697;

G01C 22/00-22/025; G01C
23/00-23/005; G01C 21/16; G06F
19/3481; G06F 3/00-3/027; G06F 1/163;
G01P

(Continued)

(56) **References Cited**

U.S. PATENT DOCUMENTS

D733,888 S * 7/2015 Tuhkanen D24/167
D736,107 S * 8/2015 Lee D10/70

(Continued)

Primary Examiner — Antoine Duval Davis

(74) *Attorney, Agent, or Firm* — Young Basile Hanlon & MacFarlane, P.C.

(57) **CLAIM**

The ornamental design for a wearable device, as shown and described.

DESCRIPTION

FIG. 1 is a perspective view of the front and left side of a wearable device according to an embodiment of the present disclosure.

FIG. 2 is a front view of the wearable device of FIG. 1.

FIG. 3 is a rear view of the wearable device of FIG. 1.

FIG. 4 is a top view of the wearable device of FIG. 1.

FIG. 5 is a bottom view of the wearable device of FIG. 1.

FIG. 6 is a left side view of the wearable device of FIG. 1.

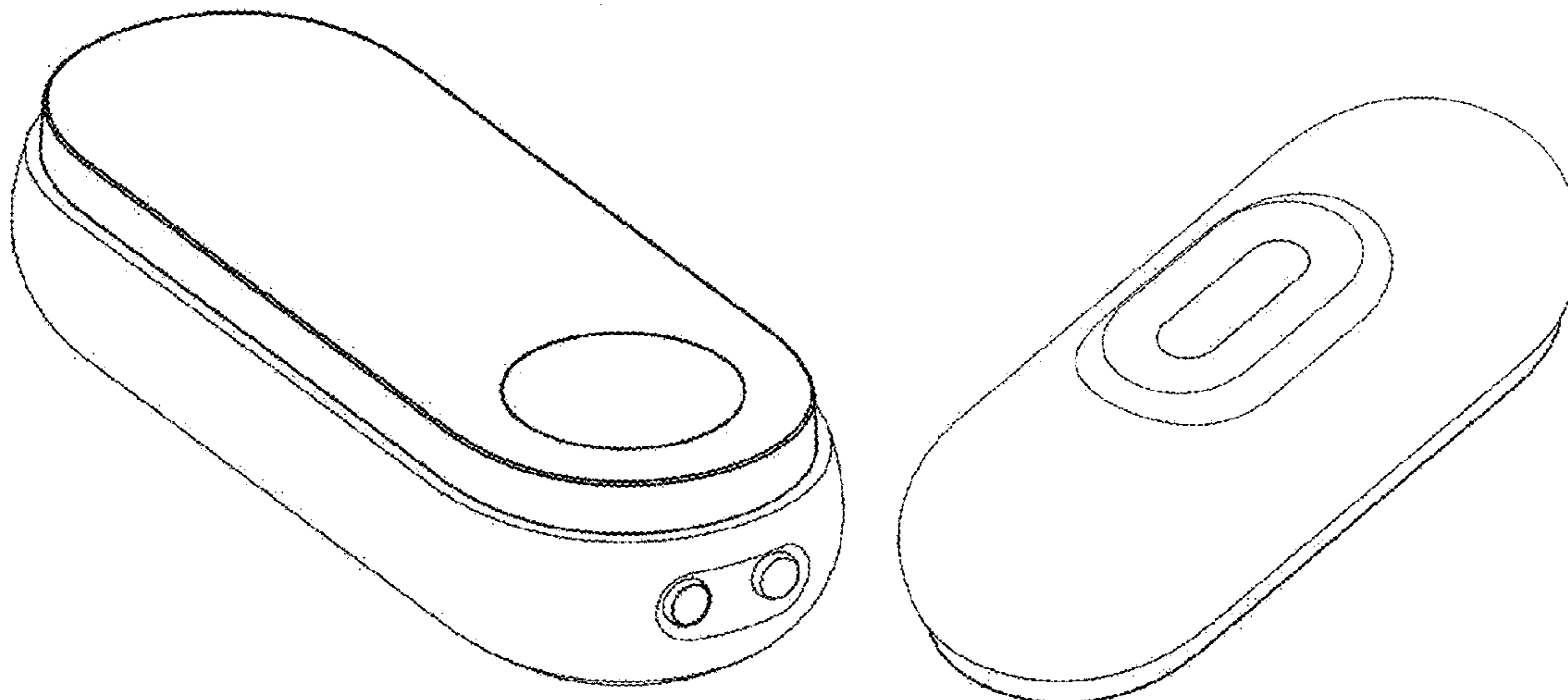
FIG. 7 is a right side view of the wearable device of FIG. 1; and,

FIG. 8 is a perspective view of the rear side of the wearable device of FIG. 1.

The ornamental design which is claimed is shown in solid lines in the drawings. The broken lines in the drawings form no part of the claimed design.

The ornamental design of the present disclosure is a wearable device that can be attached to a wristband.

1 Claim, 7 Drawing Sheets



(58) **Field of Classification Search**

CPC 1/00–1/26; G01P 15/00–15/18; A63B
24/00–2024/0096; A63B 2213/00; A63B
69/0028; A63B 2071/0658–2071/0666;
A63B 2220/00–2220/89; A63B 2225/02;
A63C 11/02; G04R 20/02; G04C 10/00;
G04C 10/02; G08B 21/0269; G08B
21/0272; G08B 21/0286; G08B 21/0288;
G08B 21/0291; G08B 21/04–21/2454;
G01S 19/00–19/55; G04G 9/0064; G04G
9/0005

See application file for complete search history.

(56) **References Cited**

U.S. PATENT DOCUMENTS

D744,110 S * 11/2015 Kubo D24/186
9,183,738 B1 * 11/2015 Allen, Sr. A61B 5/6807
9,237,869 B1 * 1/2016 Lee A61B 5/6804
D749,440 S * 2/2016 Farin D10/70
D788,603 S * 6/2017 Liu D10/70
D800,313 S * 10/2017 Chang D24/167

* cited by examiner

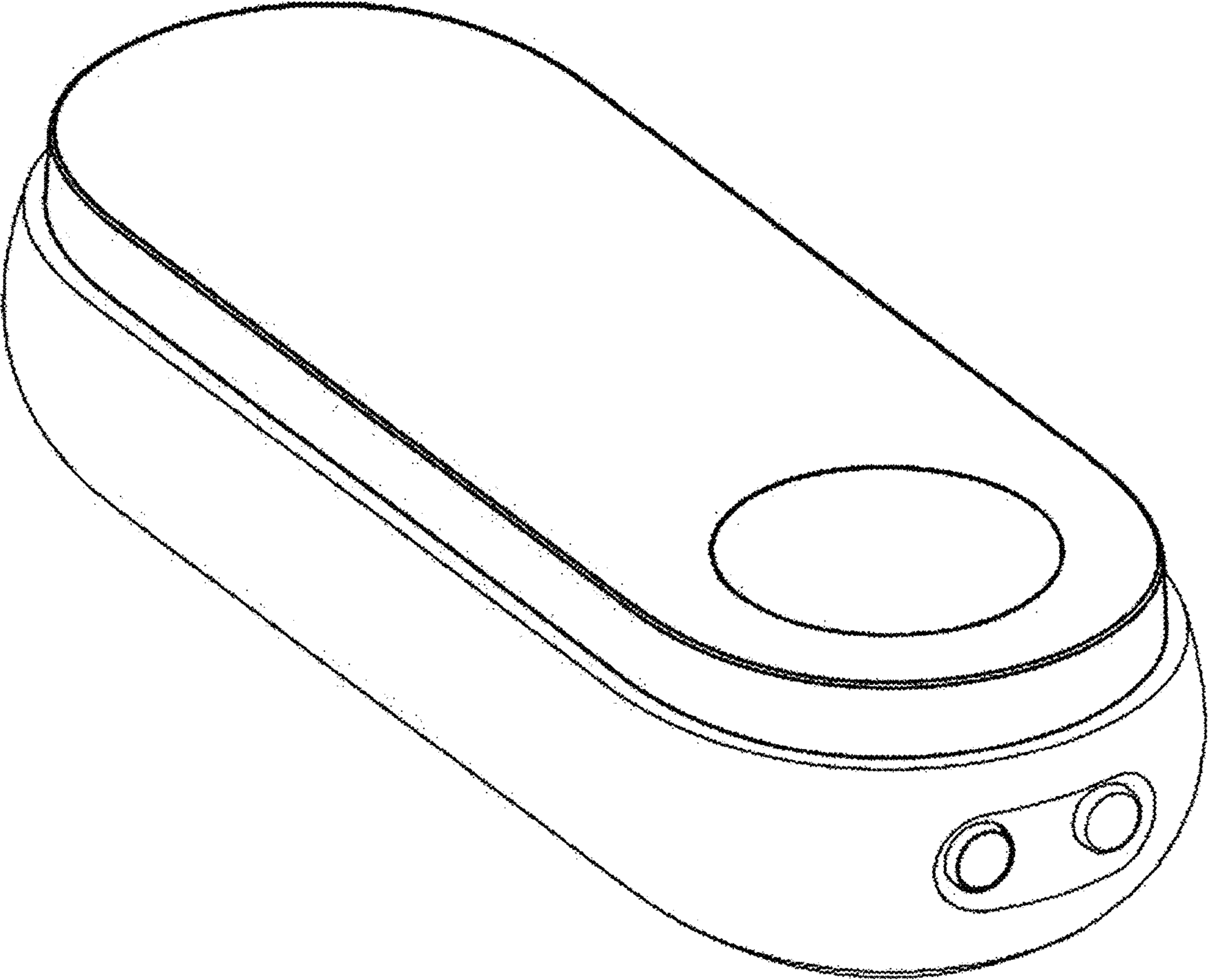


FIG. 1

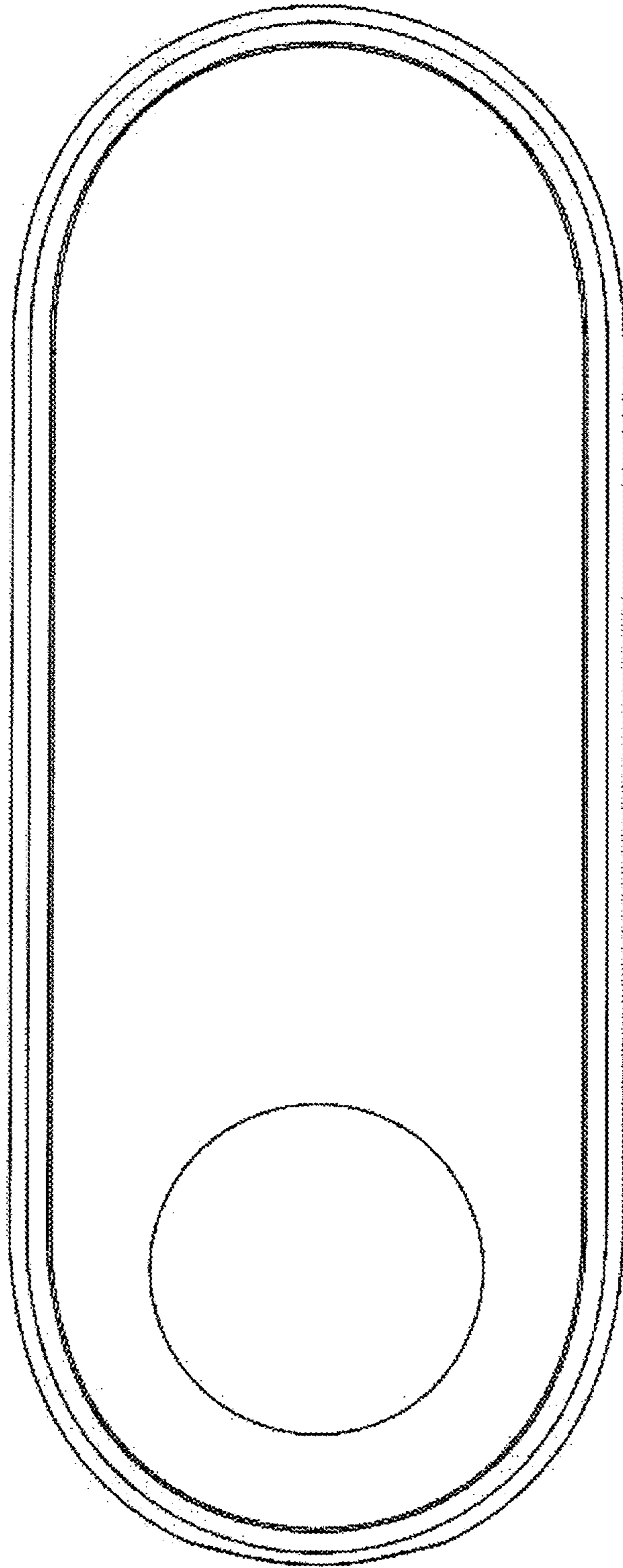


FIG. 2

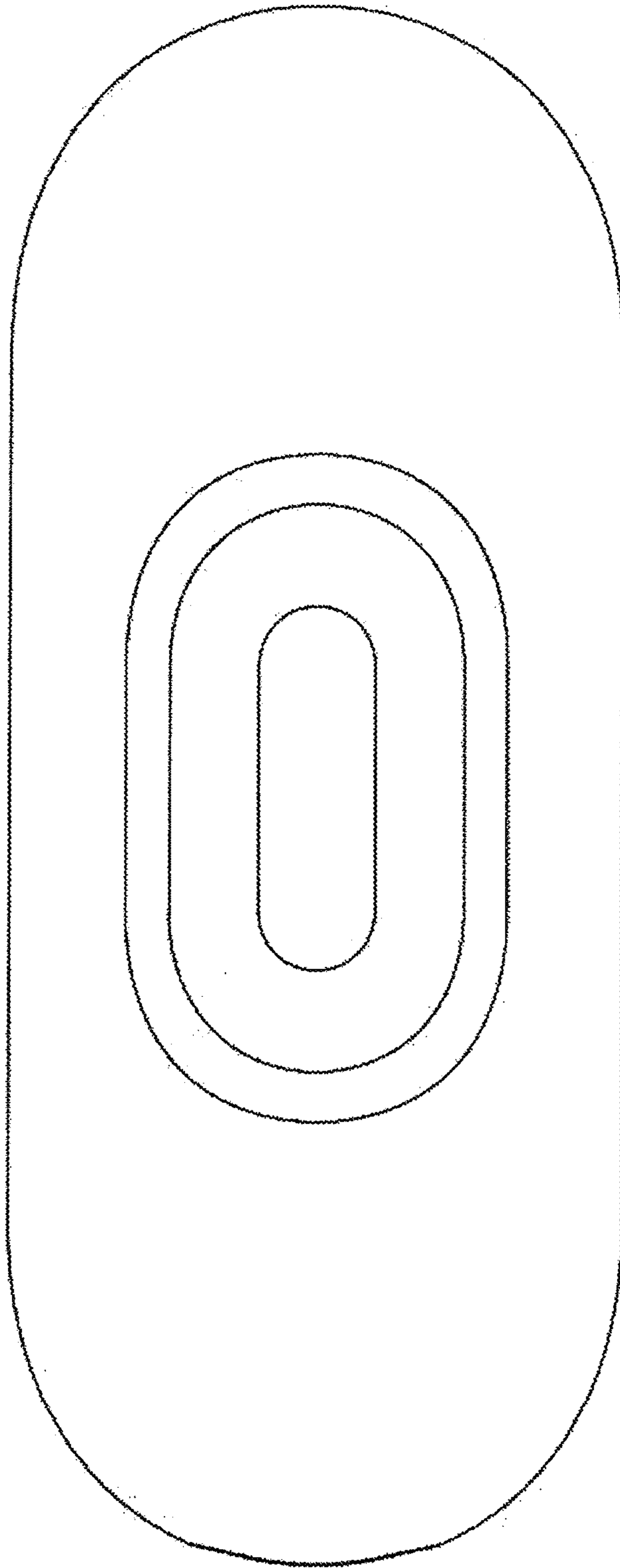


FIG. 3

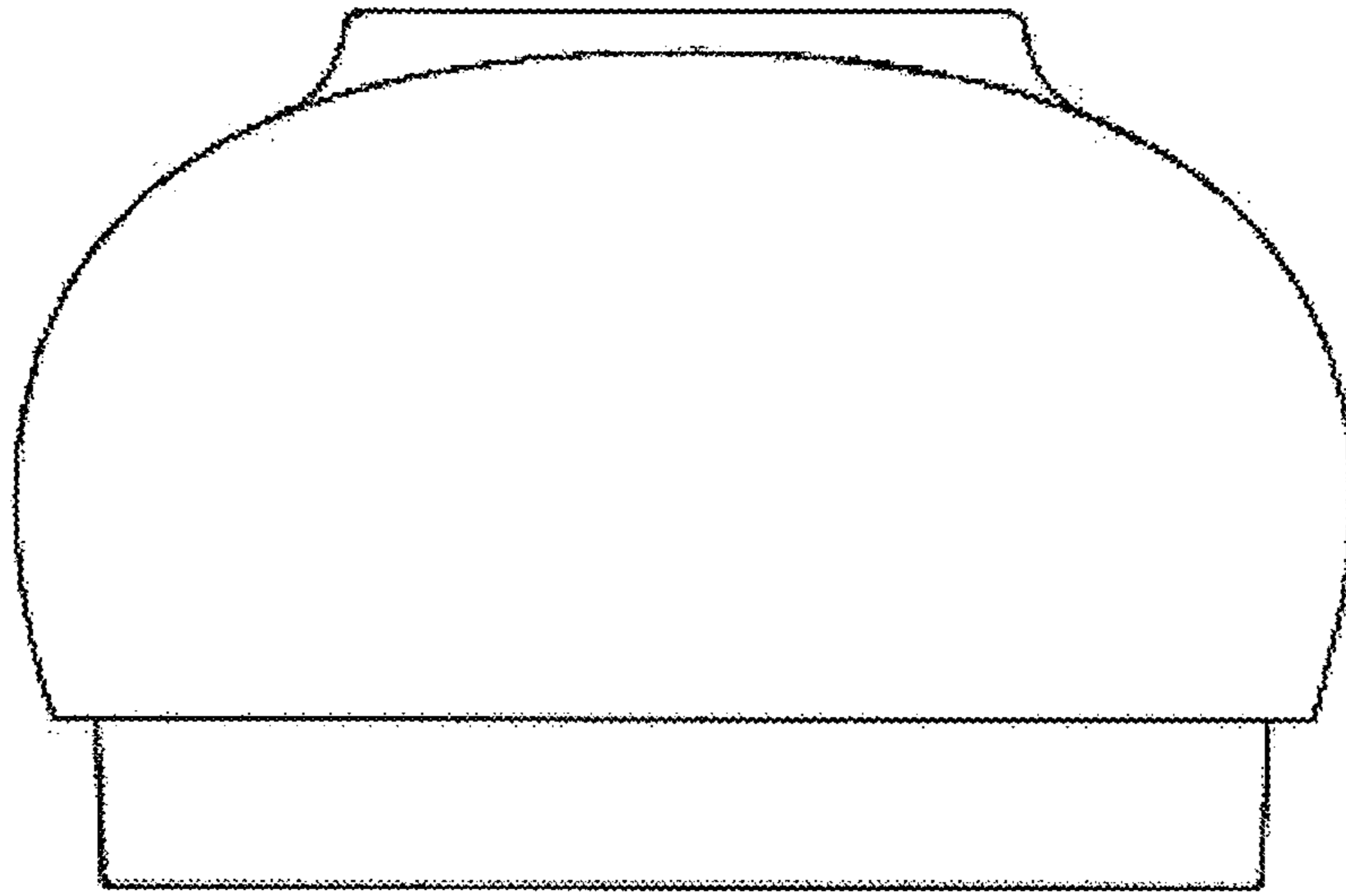


FIG. 4

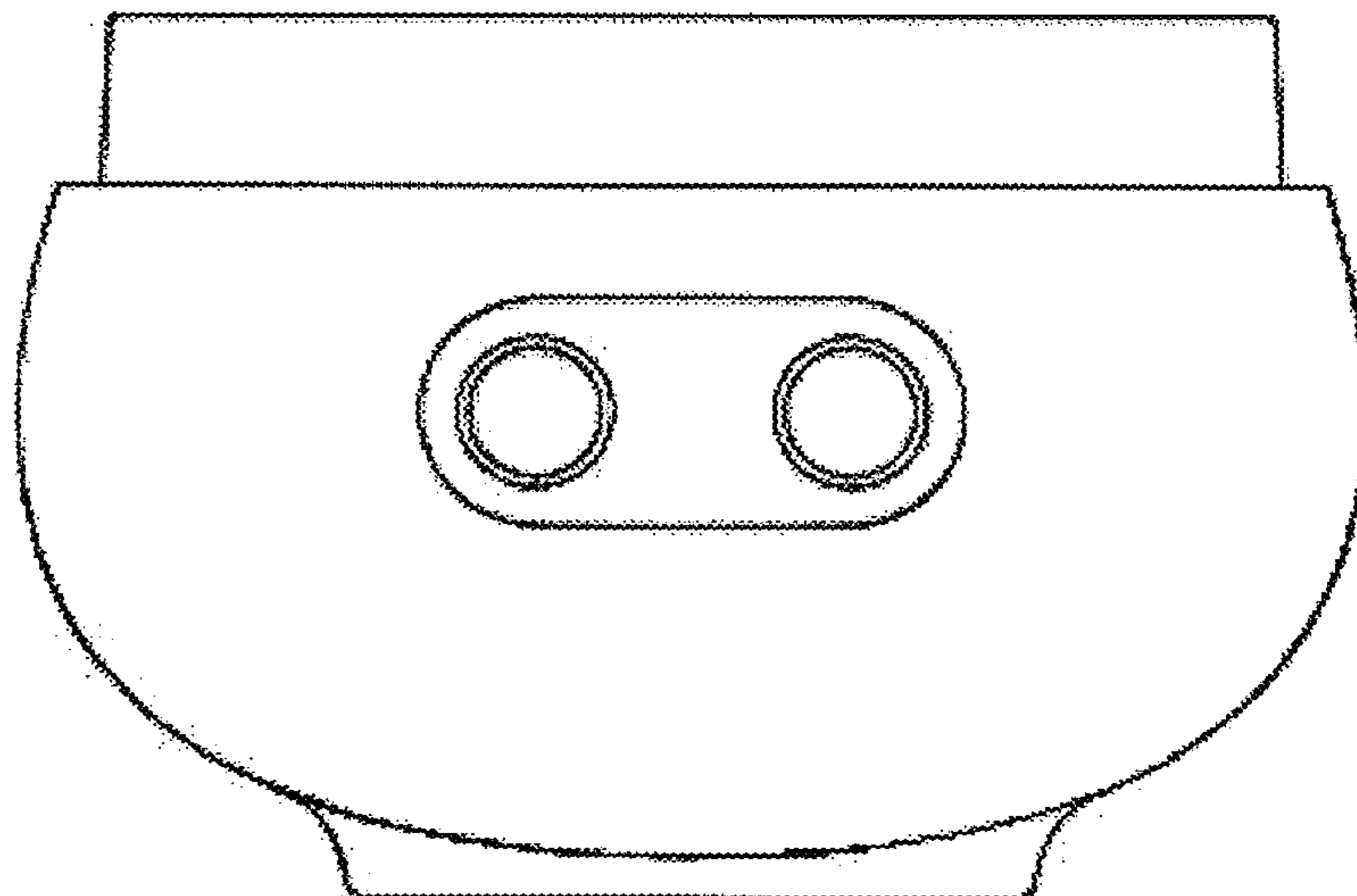


FIG. 5

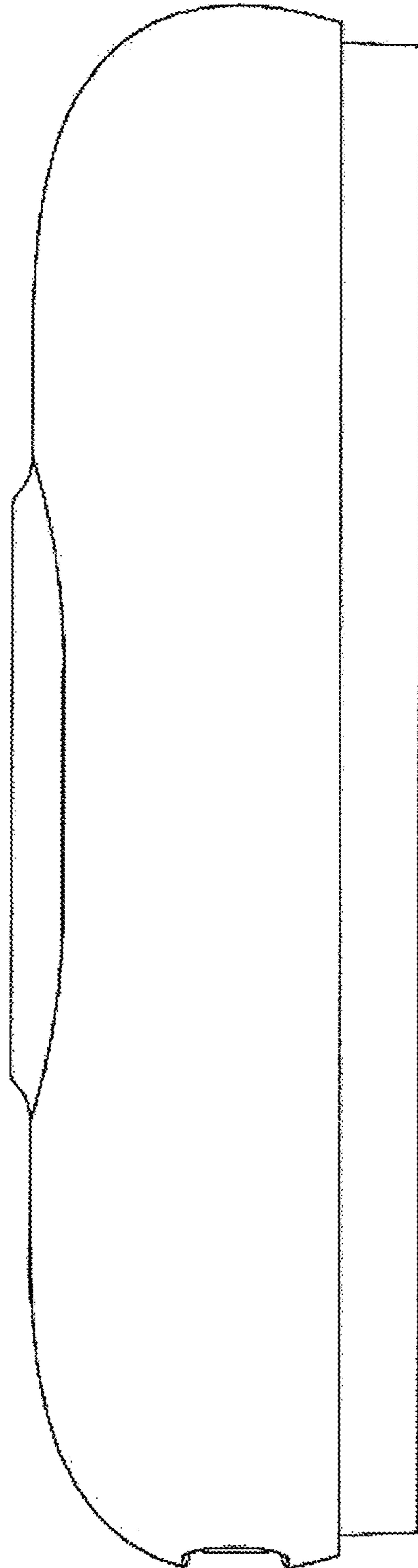


FIG. 6

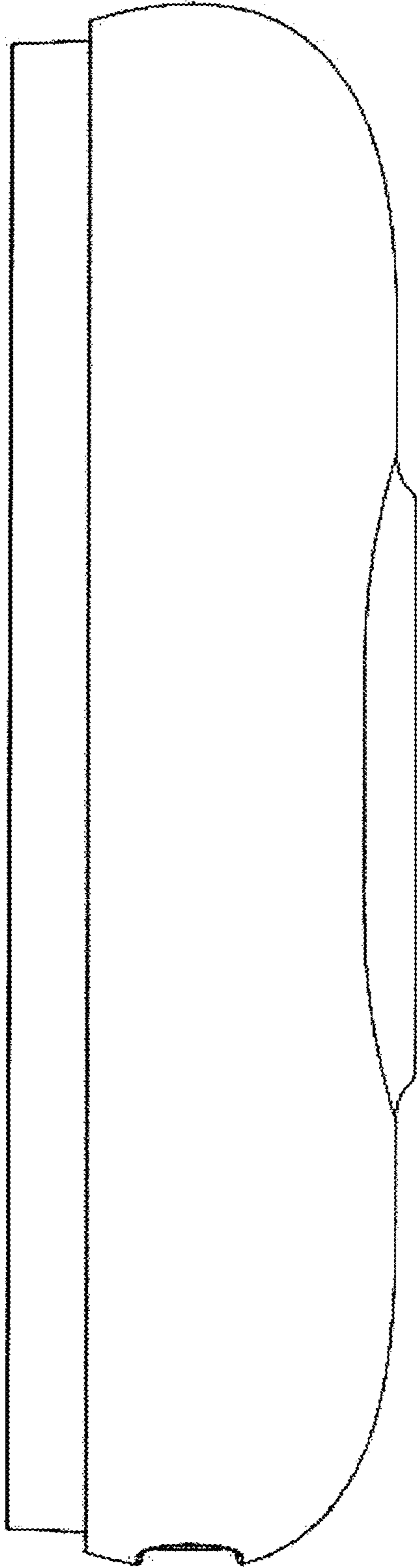


FIG. 7

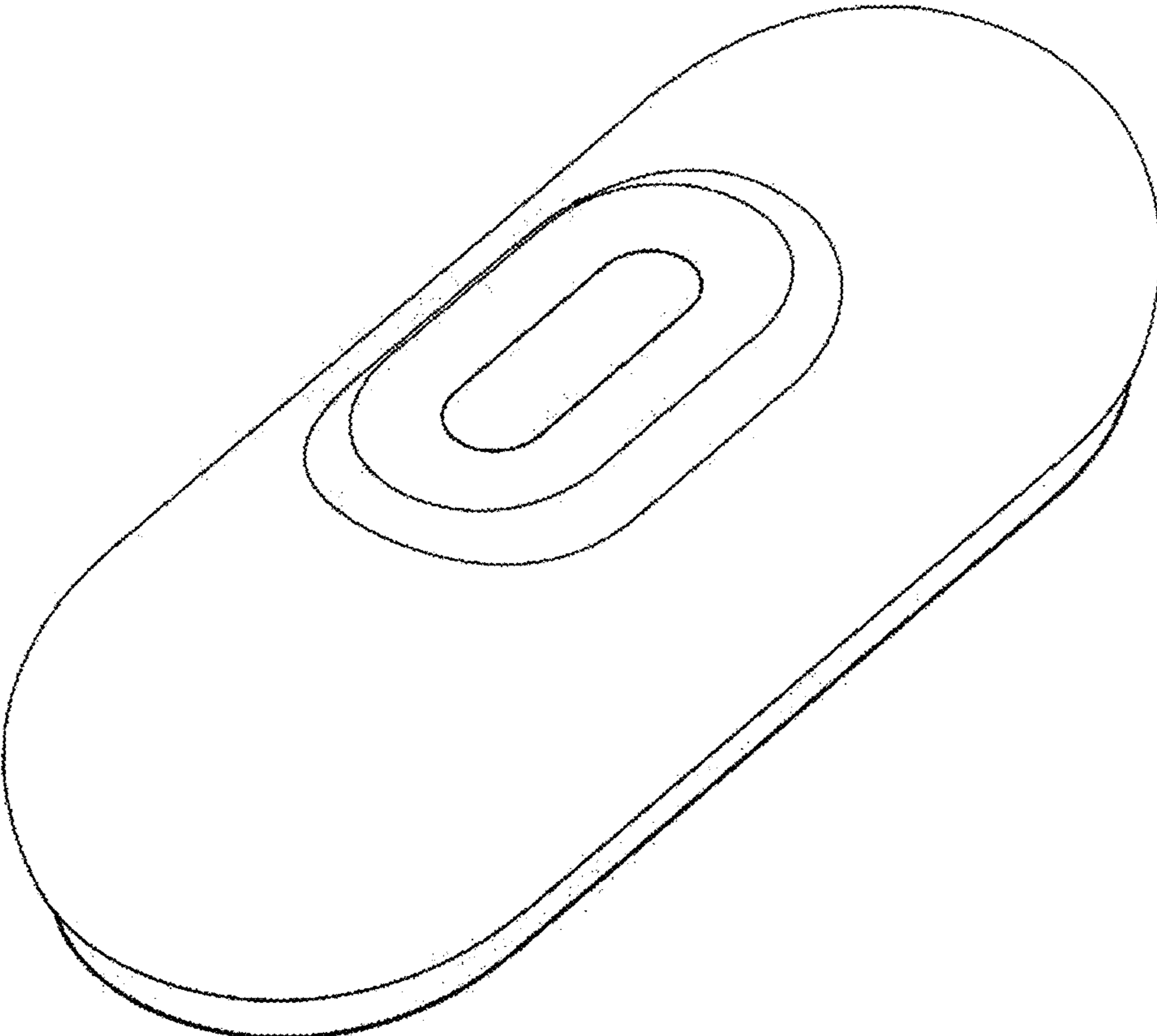


FIG. 8