



US00D825355S

(12) **United States Design Patent**
Kató

(10) **Patent No.:** **US D825,355 S**

(45) **Date of Patent:** **** Aug. 14, 2018**

(54) **VEHICLE SENSOR**

(71) Applicant: **ROOT FOUR IMAGINATION INC.**,
Mount Pearl (CA)

(72) Inventor: **János Kató**, Siofok (HU)

(73) Assignee: **ROOT FOUR IMAGINATION INC.**,
Mount Pearl (CA)

(**) Term: **15 Years**

(21) Appl. No.: **29/559,472**

(22) Filed: **Mar. 29, 2016**

(51) **LOC (11) Cl.** **10-04**

(52) **U.S. Cl.**

USPC **D10/70; D14/480.1**

(58) **Field of Classification Search**

USPC D10/46, 50–56, 60, 61, 65, 66, 70, 75,
D10/78, 79, 92, 97–99, 100, 104.1, 106.1,
D10/106.2, 106.5, 106.6, 106.8, 106.9,
D10/106.92, 107, 113.1, 113.2, 113.3,
D10/113.4, 114.2, 114.4, 116.1, 118.2,
D10/121; D14/159, 480.1

CPC G01C 21/20

See application file for complete search history.

(56) **References Cited**

U.S. PATENT DOCUMENTS

D307,871 S *	5/1990	Ciccone, III	D10/70
D504,627 S *	5/2005	Harju	D10/70
D554,014 S *	10/2007	Ueda	D10/98
D578,418 S *	10/2008	Au Yeung	D10/70
D603,343 S *	11/2009	Mehnert	D13/162
D614,661 S *	4/2010	Gibson	D14/492
D688,247 S *	8/2013	Girotti	D14/240
D721,374 S *	1/2015	Liu	D14/433
D725,508 S *	3/2015	Steinich	D10/63

(Continued)

OTHER PUBLICATIONS

Ismartrack Plug N Play, Posted on iconnectedcloudsolutions.com,
copyrighted 2016, no production date given, [online], [site visited

Apr. 1, 2017], Available from Internet, <URL: <http://iconnectedcloudsolutions.com/index.php/ismartrack/ismartrack-plug-n-play-features/>>.*

(Continued)

Primary Examiner — Melanie H Tung

Assistant Examiner — Fritzgerald L Butac

(74) *Attorney, Agent, or Firm* — Bereskin & Parr LLP

(57) **CLAIM**

I claim the ornamental design for a vehicle sensor, as shown and described.

DESCRIPTION

FIG. 1 is a perspective view from the top and left side of a vehicle sensor in accordance with said design;

FIG. 2 is a perspective view from the bottom and right side of the vehicle sensor of FIG. 1;

FIG. 3 is a left side elevation view of the vehicle sensor of FIG. 1;

FIG. 4 is a front elevation view of the vehicle sensor of FIG. 1;

FIG. 5 is a right side elevation view of the vehicle sensor of FIG. 1;

FIG. 6 is a rear elevation view of the vehicle sensor of FIG. 1;

FIG. 7 is a top plan view of the vehicle sensor of FIG. 1;

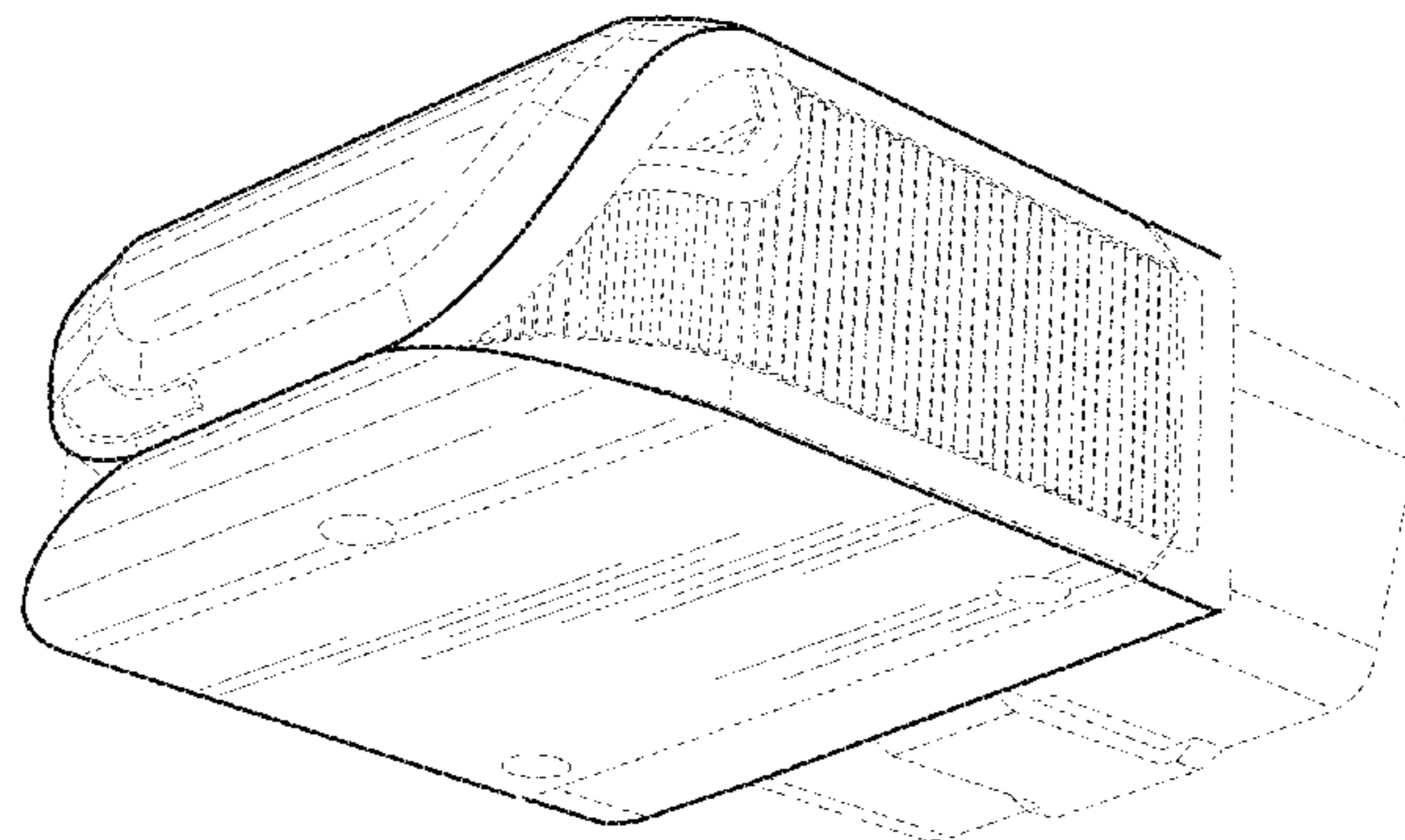
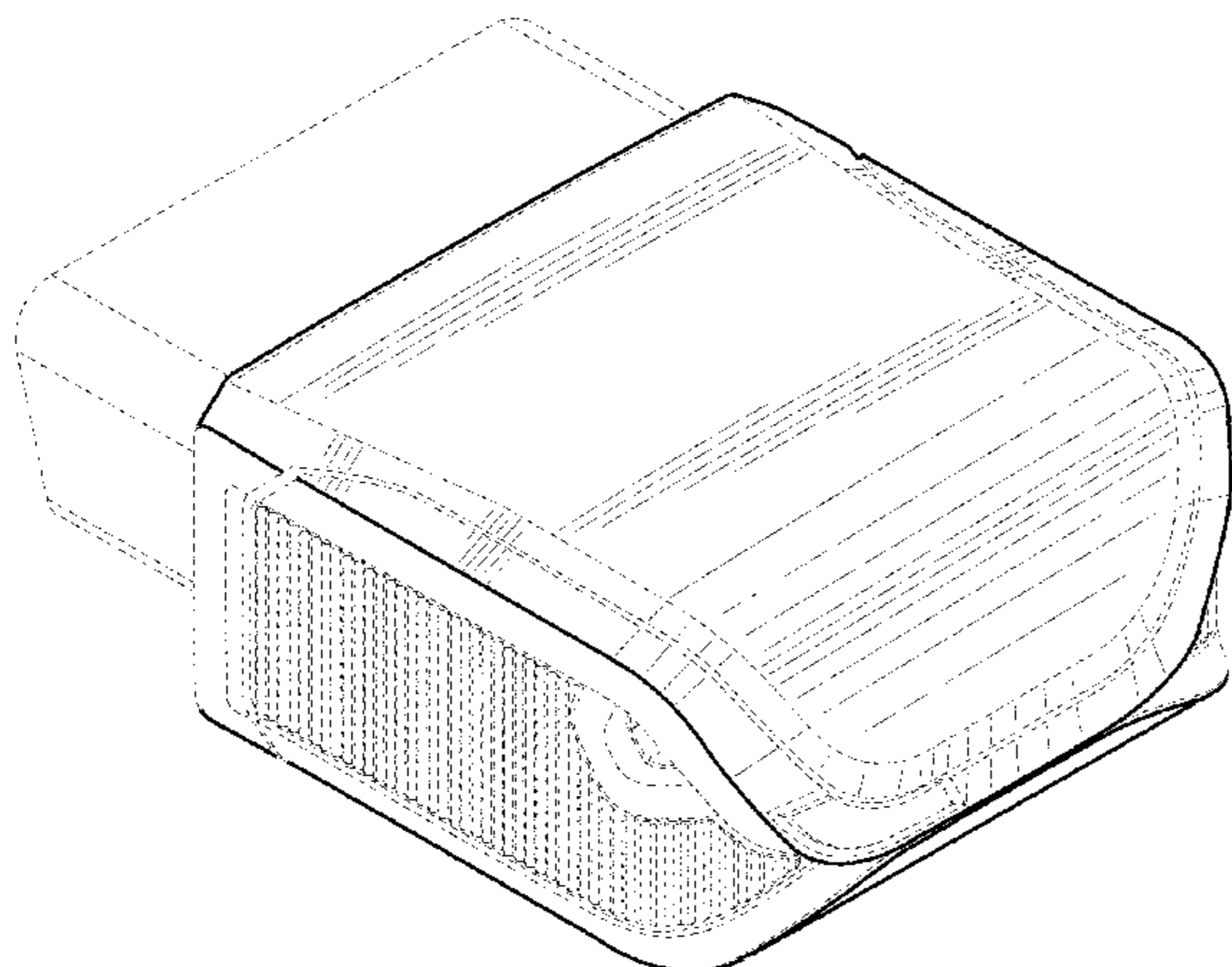
FIG. 8 is a bottom plan view of the vehicle sensor of FIG. 1; and,

FIG. 9 is a perspective view showing the use of the vehicle sensor of FIG. 1, in which the vehicle sensor is plugged into the OBD-II port of a vehicle.

The dash-dash broken lines shown in FIGS. 1 through 9 show portions of the vehicle sensor that form no part of the claimed design.

The dash-dot-dash broken lines shown in FIG. 9 are for the purpose of showing environmental structure and form no part of the claimed design.

1 Claim, 7 Drawing Sheets



(56)

References Cited

U.S. PATENT DOCUMENTS

D766,911 S *	9/2016	Panahon	D14/480.1
D771,637 S *	11/2016	Shim	D14/480.5
D781,867 S *	3/2017	Aulert	D14/480.1
2016/0084657 A1 *	3/2016	Schilling	G01C 21/20 701/29.1

OTHER PUBLICATIONS

Samsung Dongle Brings Car Monitoring and Wi-Fi to Older Cars, posted on caranddriver.com, posted Feb. 22, 2016, no production date given, [online], [site visited Apr. 1, 2017], Available from Internet, <URL: <http://blog.caranddriver.com/samsung-dongle-brings-car-monitoring-and-wifi-to-older-cars/>>.*

Automatic Pro, posted on automatic.com, no posted date given, no production date given, [online], [site visited Apr. 1, 2017], available from internet, <URL: <https://www.automatic.com/>>.*

In-Drive, posted on thecarconnection.com, posted Aug. 3, 2011, no production date given, [online], [site visited Apr. 1, 2017], Available from Internet, <URL: http://www.thecarconnection.com/news/1064330_state-farm-launches-onstar-competitor-in-drive-updated>.*

<<http://mr-cartec.com/panlong-elm327-wifi-wireless-obd2-obdii-scanner-adapter-car-auto-diagnostic-scan-tool-code-reader-for-iphone-ipad-ios-pc/>>, retrieved Jul. 20, 2016.

<<http://scantoolcenter.com/obd2-scanners/vgate-bluetooth-tcan-tool-reviews/>>, retrieved Jul. 20, 2016.

<http://www.autophix.com/product_T300.html>, retrieved Jul. 20, 2016.

<<https://www.moj.io/how-it-works/#getMojio>>, retrieved Jul. 20, 2016.

<<http://web.archive.org/web/20160610213601/https://www.verizontelematics.com/products>>, retrieved Jul. 20, 2016.

<<http://www.lemurmonitors.com>>, retrieved Jul. 20, 2016.

<<http://www.totalcardiagnostics.com/elm327-bluetooth/>>, retrieved Jul. 20, 2016.

<<http://obd2plus.com/view/4-15748.html>>, retrieved Jul. 20, 2016.

<http://static.coleparmer.com/large_images/68511_75.jpg>, retrieved Jul. 20, 2016.

<<http://www.uobd2.net/wholesale/mini-elm327-interface-viecar-obd2-bluetooth-scanner.html>>, retrieved Jul. 20, 2016.

<<http://cyue.linkpai.net/index.php?a=index&m=Product&id=36>>, retrieved Jul. 20, 2016.

<<http://gopointtech.com/products/>>, retrieved Jul. 20, 2016.

<<https://www.scantool.net/obdlink-mxbt/>>, retrieved Jul. 20, 2016.

<<http://www.obdinnovations.com/vgate-icar-3-elm327-wifi-v3-obd2-diagnostics-scanner-white-black/>>, retrieved Jul. 20, 2016.

<<https://www.automatic.com/adapter/>>, retrieved Jul. 20, 2016.

<<https://blog.griffintechology.com/new/cartrip-and-cleandrive-app/>>, retrieved Jul. 20, 2016.

<<http://www.vgate.com/en/EN/iCar%2020%20bluetooth-240.html>>, retrieved Jul. 20, 2016.

<<http://zubie.com>>, retrieved Jul. 20, 2016.

<<http://www.aotaisz.com/en/product.asp?ArticleID=704>>, retrieved Jul. 20, 2016.

<<http://www.iobd2.cc/iobd2-bmw-diagnostic-tool-for-iphoneipadandroid-p-77.html>>, retrieved Jul. 20, 2016.

<<https://www.indiegogo.com/projects/truvolo-smarter-driving-begins-today-2#/>>, retrieved Jul. 20, 2016.

<<http://www.backyardmechanic.org/review-panlong-wifi-obd2-for-android-ios-iphone-ipad/>>, retrieved Jul. 20, 2016.

<http://www.obdkey.com/obd_bluetooth_info.asp>, retrieved Jul. 20, 2016.

<<https://www.accestories.com/en/store/diagnostic-tools-equipment/car-diagnostic-tools/vgate-icar2-bluetooth-obd2-detail>>, retrieved Jul. 20, 2016.

<<http://www.dx.com/p/portable-elm327-wi-fi-interface-wireless-obd-ii-car-diagnostic-scanner-tool-black-white-12v-182887#.V5eQfKKKzV>>, retrieved Jul. 20, 2016.

<http://www.tmart.com/Mini-ELM327-HH-Interface-Bluetooth-OBDII-Auto-Car-Diagnostic-Scanner-Tool_p187993.html?cc=CAD&fixed_price=us_intl

&gclid=CLHxp47FkeACFUtahgodO6IM8w>, retrieved Jul. 20, 2016.

* cited by examiner

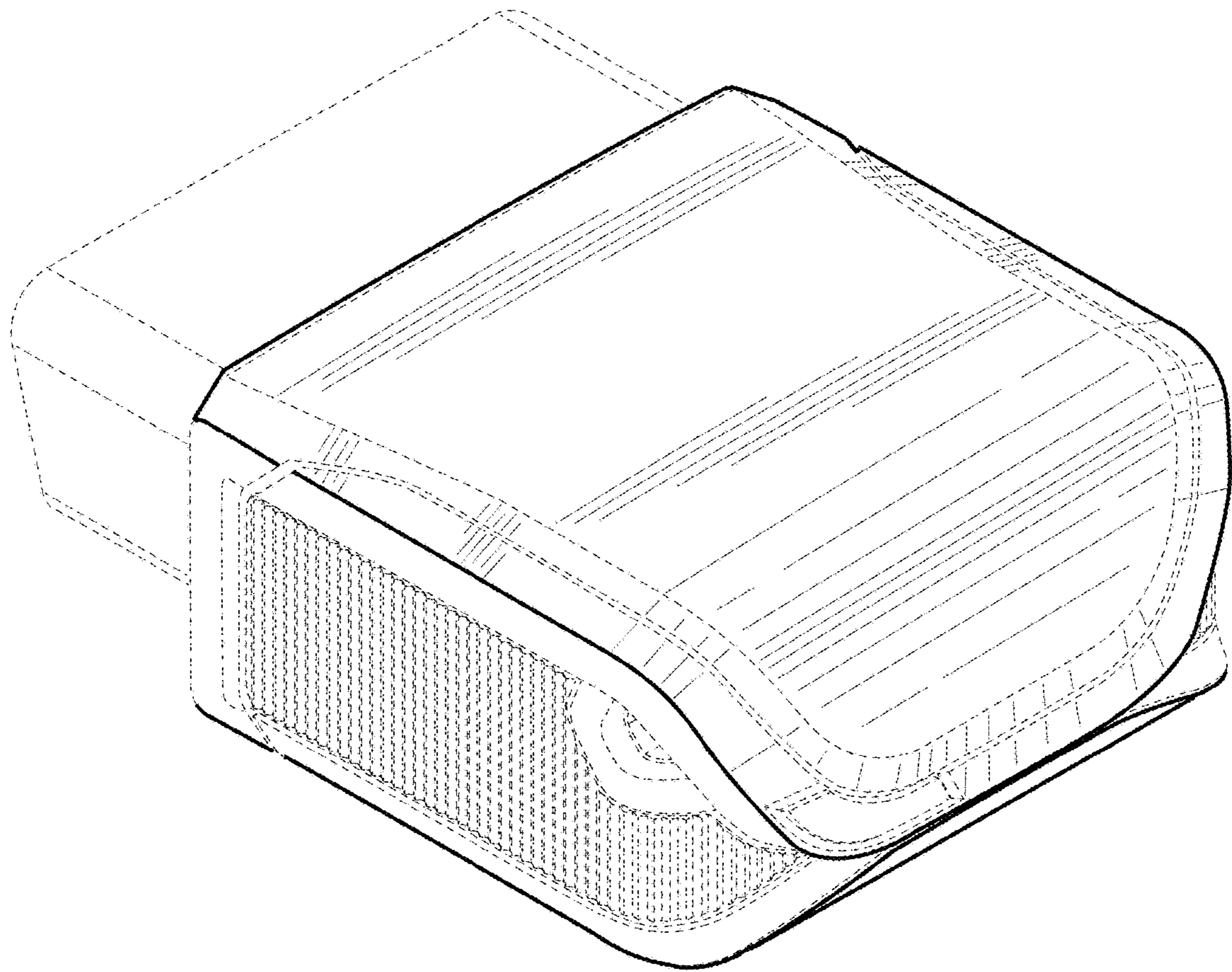


FIG. 1

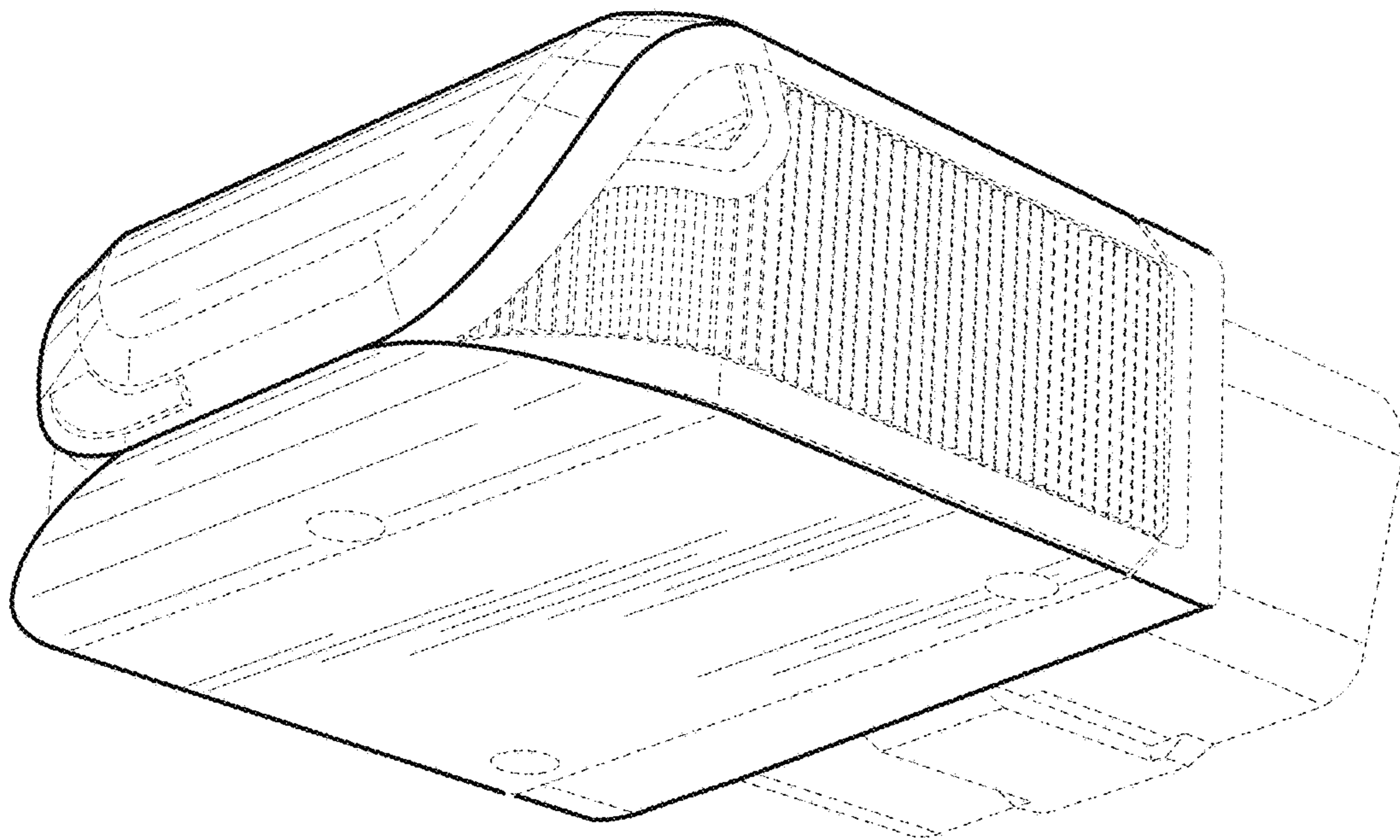


FIG. 2

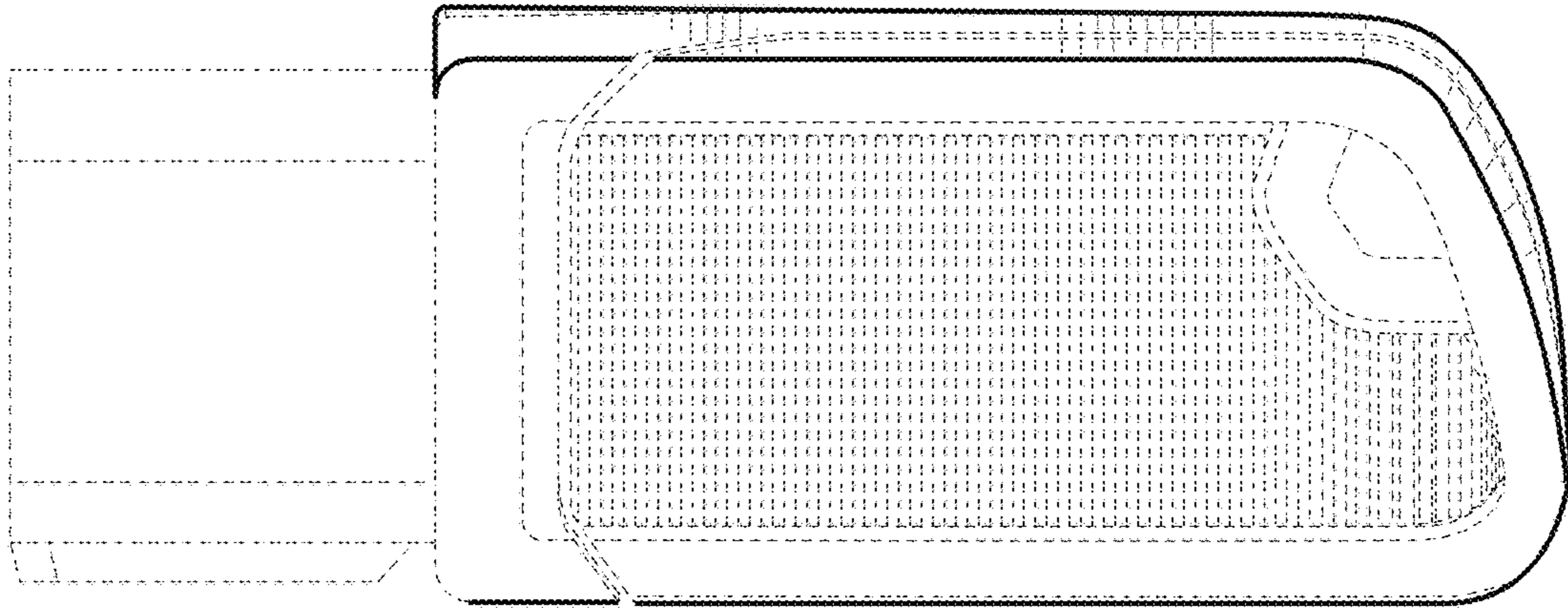


FIG. 3

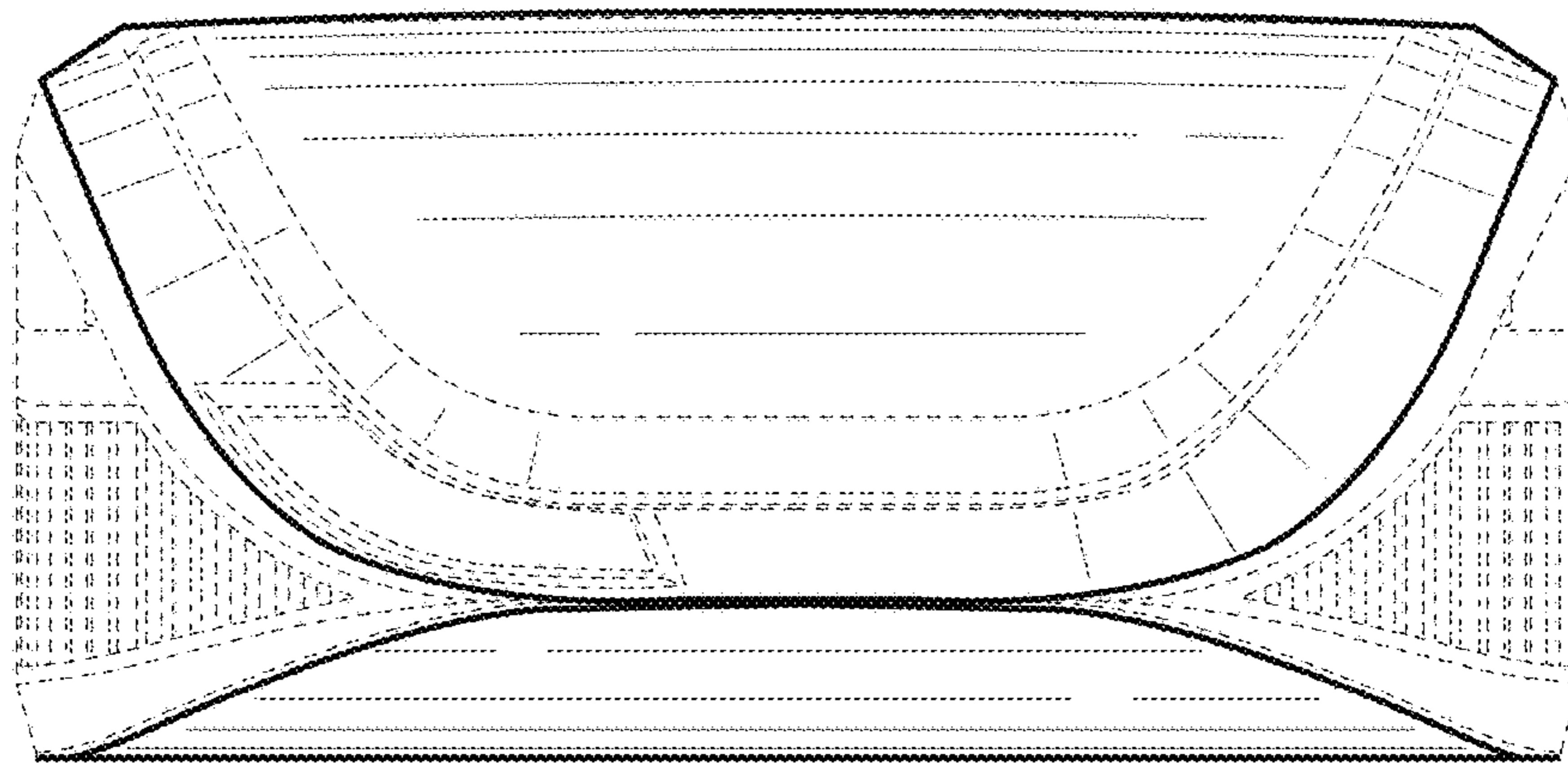


FIG. 4

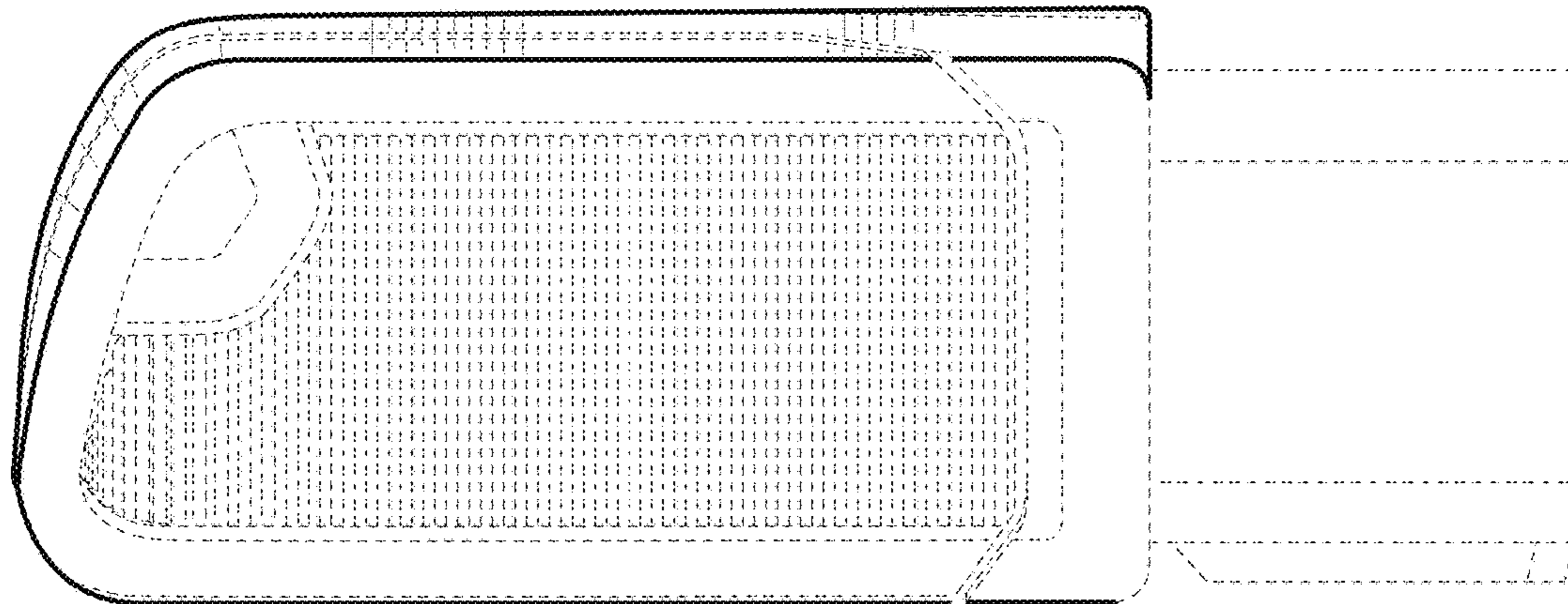


FIG. 5

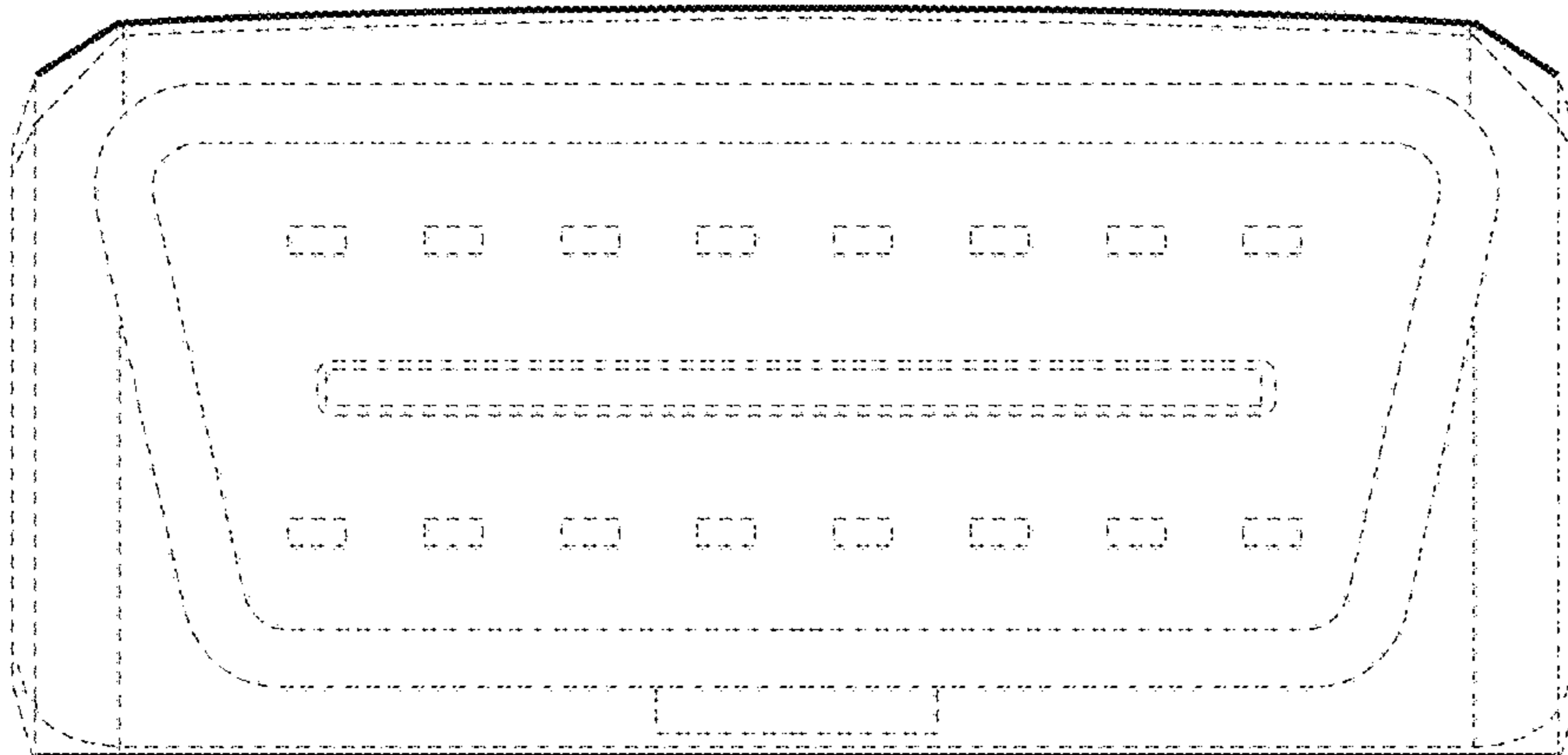


FIG. 6

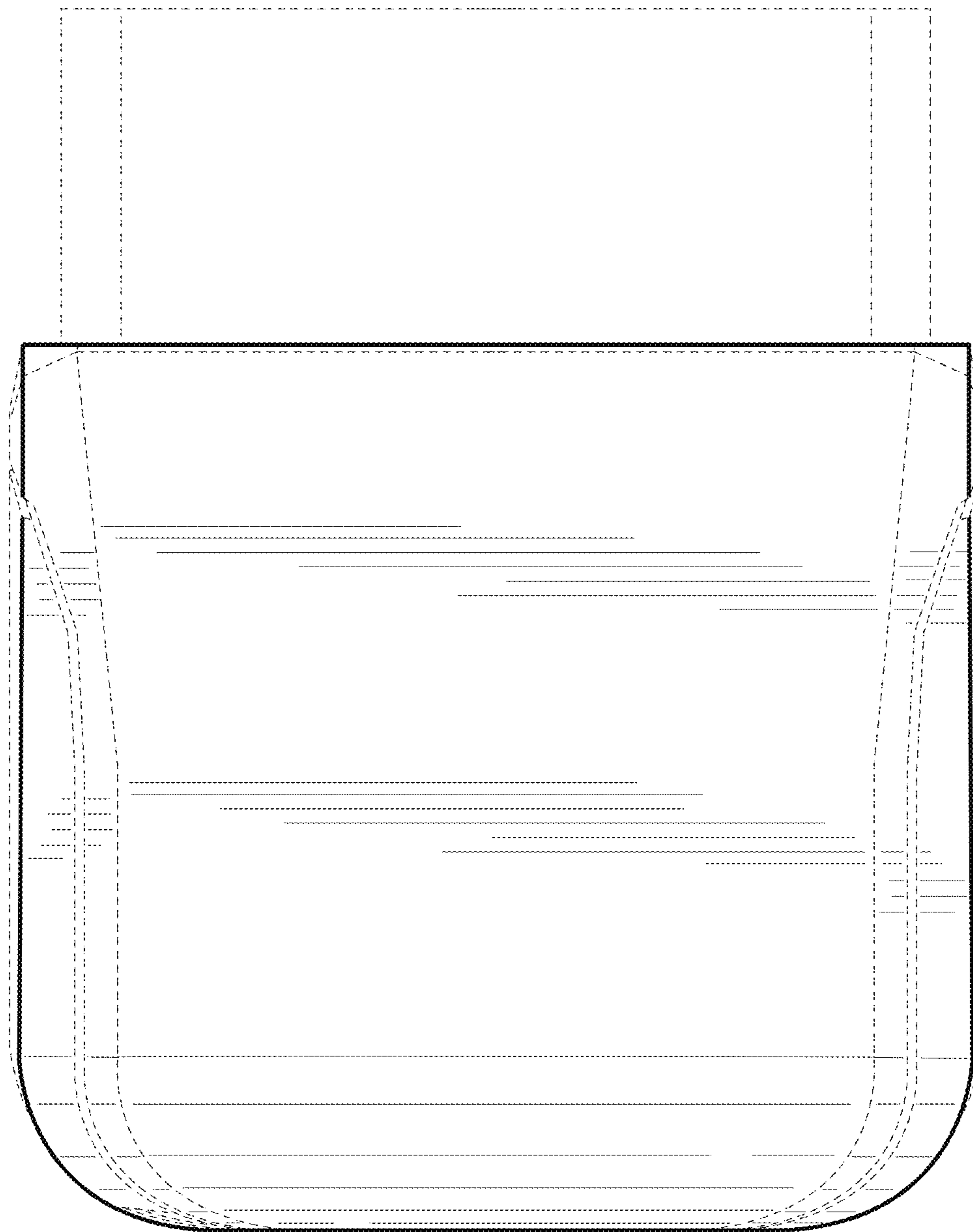


FIG. 7

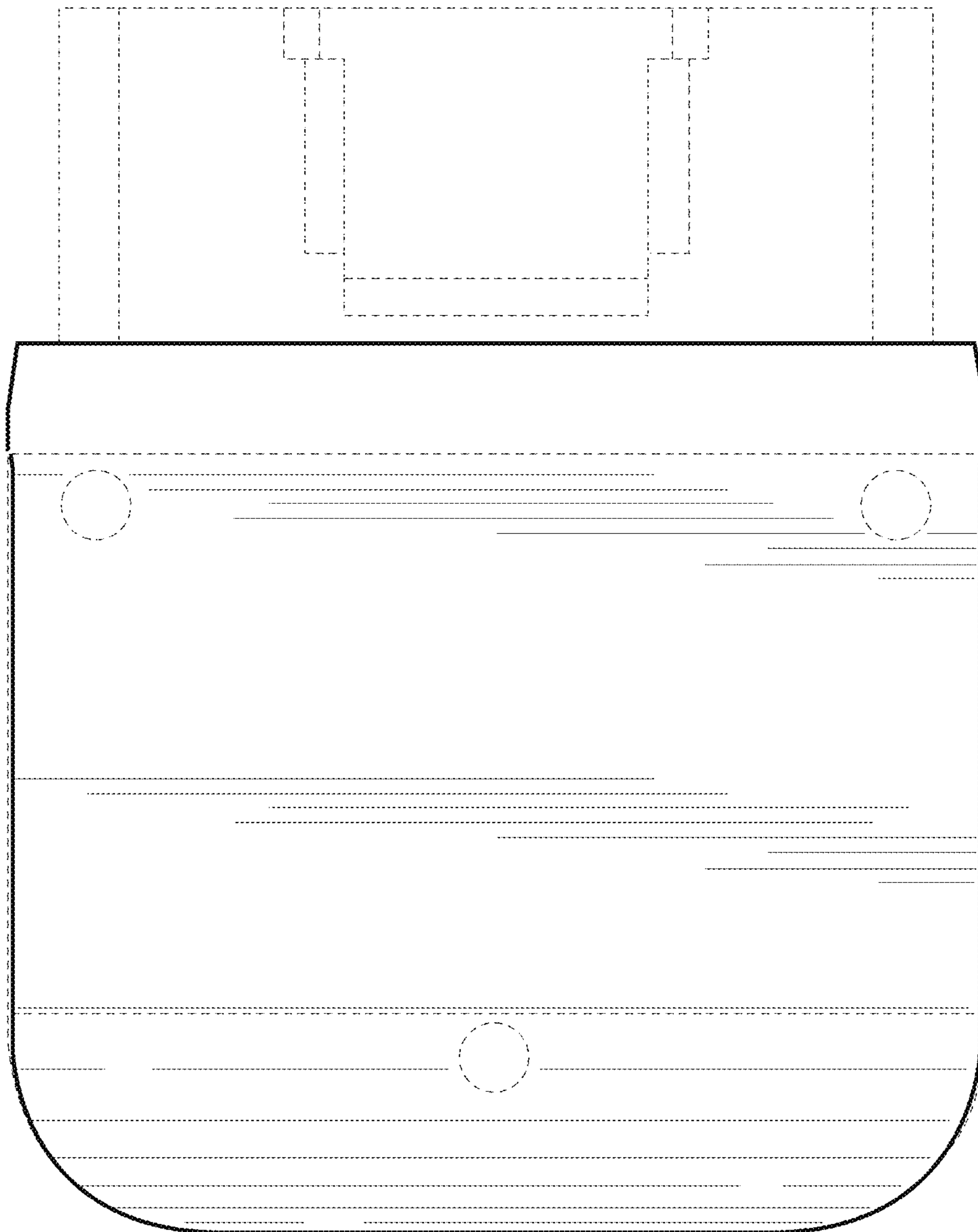


FIG. 8

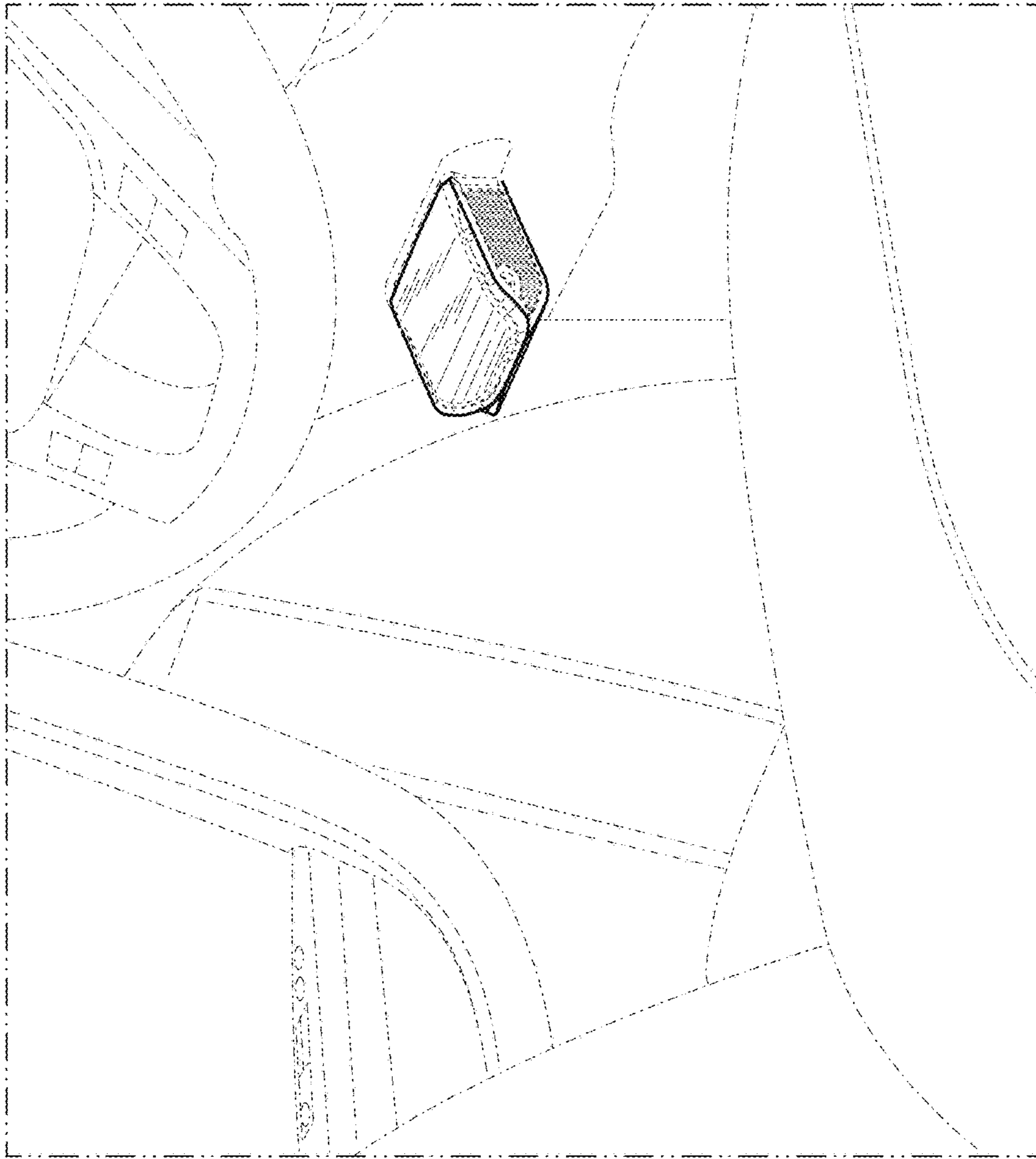


FIG. 9