



US00D825354S

(12) **United States Design Patent**
Wojciechowski

(10) **Patent No.:** **US D825,354 S**

(45) **Date of Patent:** **** Aug. 14, 2018**

(54) **DIGITAL LEVEL**

(71) Applicant: **Diamond Tech LLC**, Carson City, NV (US)

(72) Inventor: **Timothy J. Wojciechowski**, Hubertus, WI (US)

(73) Assignee: **DIAMOND TECH LLC**, Carson City, NV (US)

(**) Term: **15 Years**

(21) Appl. No.: **29/601,782**

(22) Filed: **Apr. 26, 2017**

(51) **LOC (11) Cl.** **10-04**

(52) **U.S. Cl.**
USPC **D10/69**

(58) **Field of Classification Search**
USPC D10/69

CPC . G01C 9/00; G01C 9/005; G01C 9/02; G01C 9/04; G01C 9/06; G01C 9/08; G01C 9/10; G01C 9/12; G01C 9/14; G01C 9/16; G01C 9/18; G01C 9/20; G01C 9/22; G01C 9/24; G01C 9/26; G01C 9/28; G01C 9/30; G01C 9/32; G01C 9/34; G01C 9/36; G01C 2009/005; G01C 2009/062; G01C 2009/064; G01C 2009/066; G01C 2009/068; G01C 2009/102; G01C 2009/105; G01C 2009/107; G01C 2009/182; G01C 2009/185; G01C 2009/187

See application file for complete search history.

(56) **References Cited**

U.S. PATENT DOCUMENTS

D364,104 S 11/1995 Johnson
D521,399 S 5/2006 Johnson et al.

D535,576 S 1/2007 Schafer et al.
D555,523 S 11/2007 Nickel et al.
D633,400 S 3/2011 Wojciechowski et al.
D634,221 S 3/2011 Wojciechowski et al.
D656,425 S 3/2012 Wojciechowski et al.
D735,064 S 7/2015 Wojciechowski et al.
D735,065 S 7/2015 Wojciechowski et al.
D750,512 S * 3/2016 Wojciechowski D10/69

* cited by examiner

Primary Examiner — Antoine Duval Davis

(74) *Attorney, Agent, or Firm* — Boyle Fredrickson, S.C.

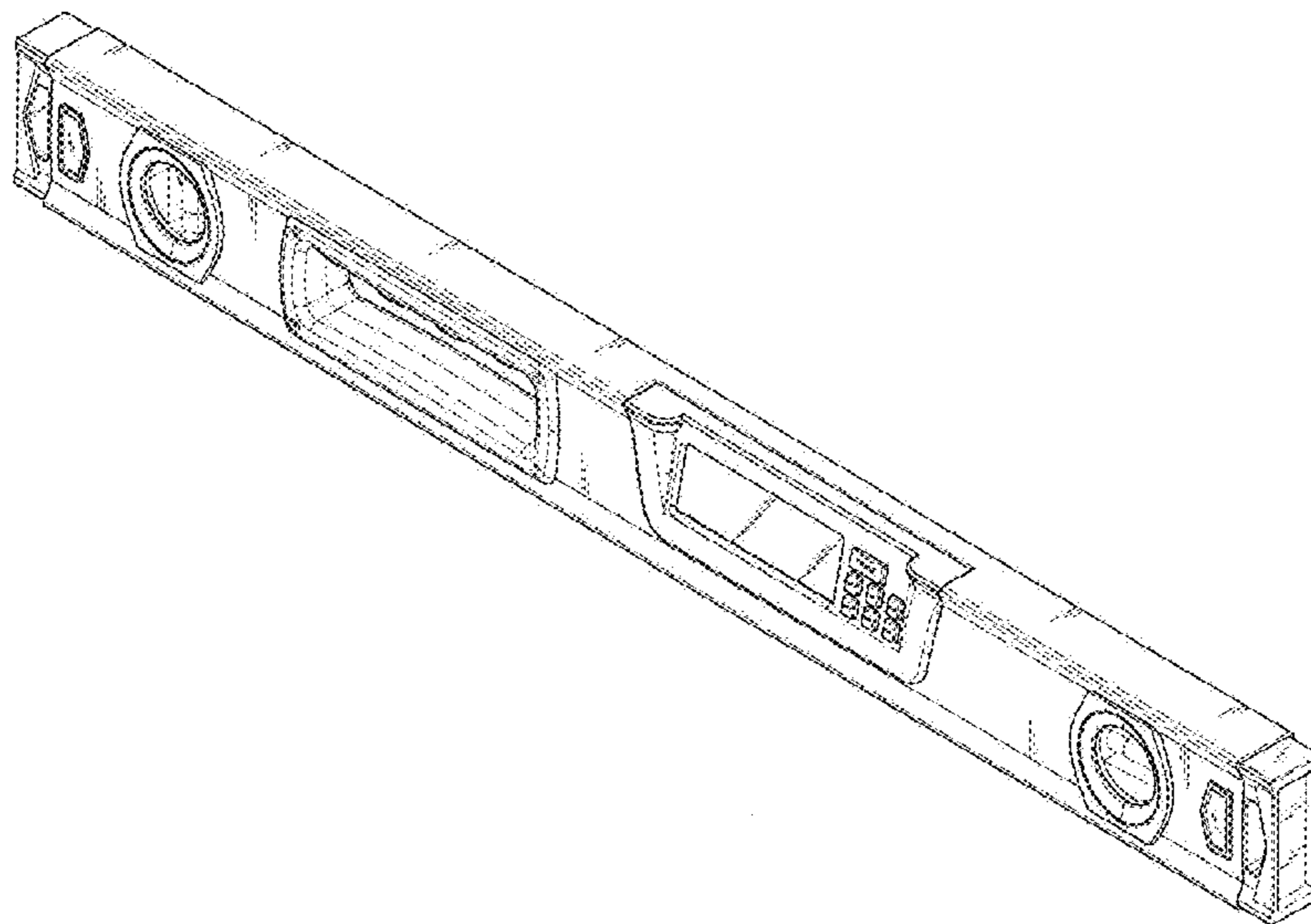
(57) **CLAIM**

The ornamental design of a digital level, as shown and described.

DESCRIPTION

FIG. 1 is an isometric view of a first embodiment of a digital level incorporating my new design;
FIG. 2 is a front elevation view thereof;
FIG. 3 is a rear elevation view thereof;
FIG. 4 is a top plan view thereof;
FIG. 5 is a bottom plan view thereof;
FIG. 6 is a first end elevation view thereof; and
FIG. 7 is a second end elevation view thereof;
FIG. 8 is an isometric view of a second embodiment of a digital level incorporating my new design;
FIG. 9 is a front elevation view thereof;
FIG. 10 is a rear elevation view thereof;
FIG. 11 is a top plan view thereof; and
FIG. 12 is a bottom plan view thereof.

1 Claim, 11 Drawing Sheets



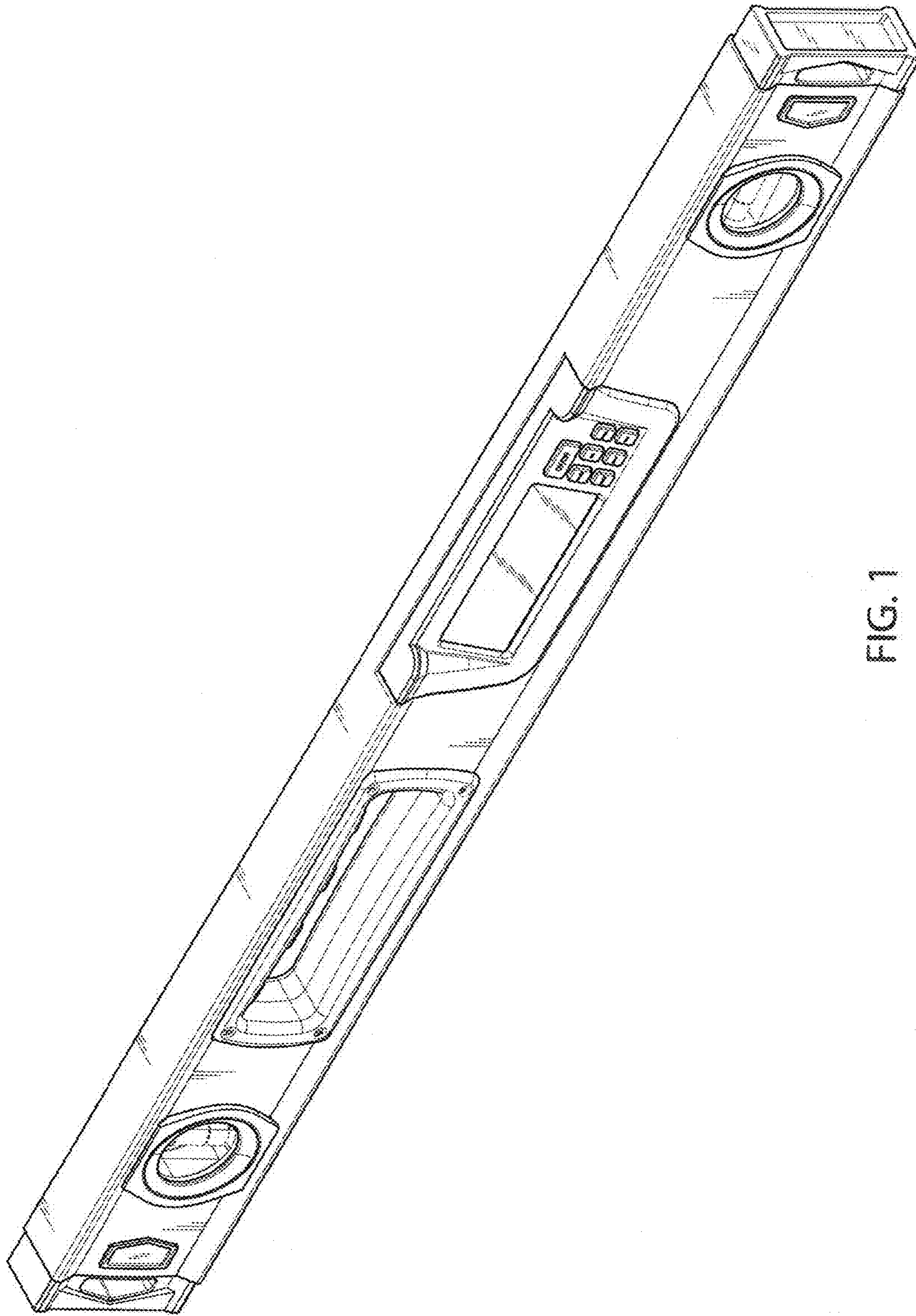


FIG. 1

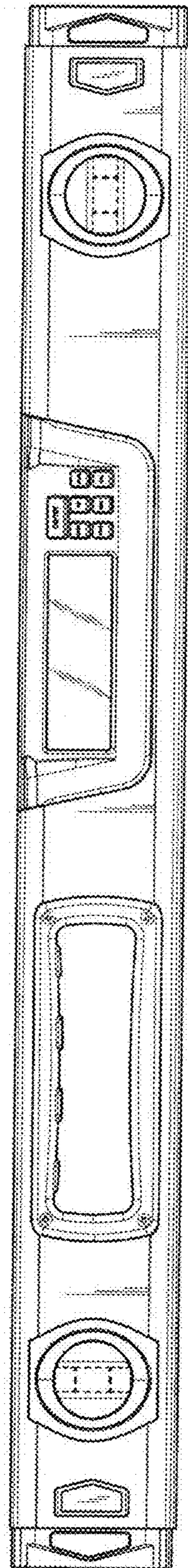


FIG. 2

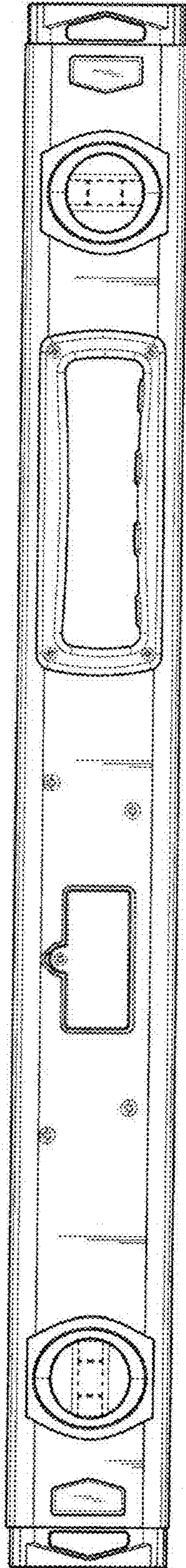


FIG. 3



FIG. 4

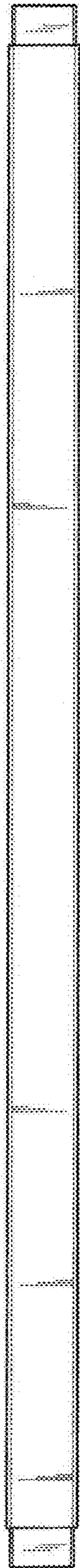


FIG. 5

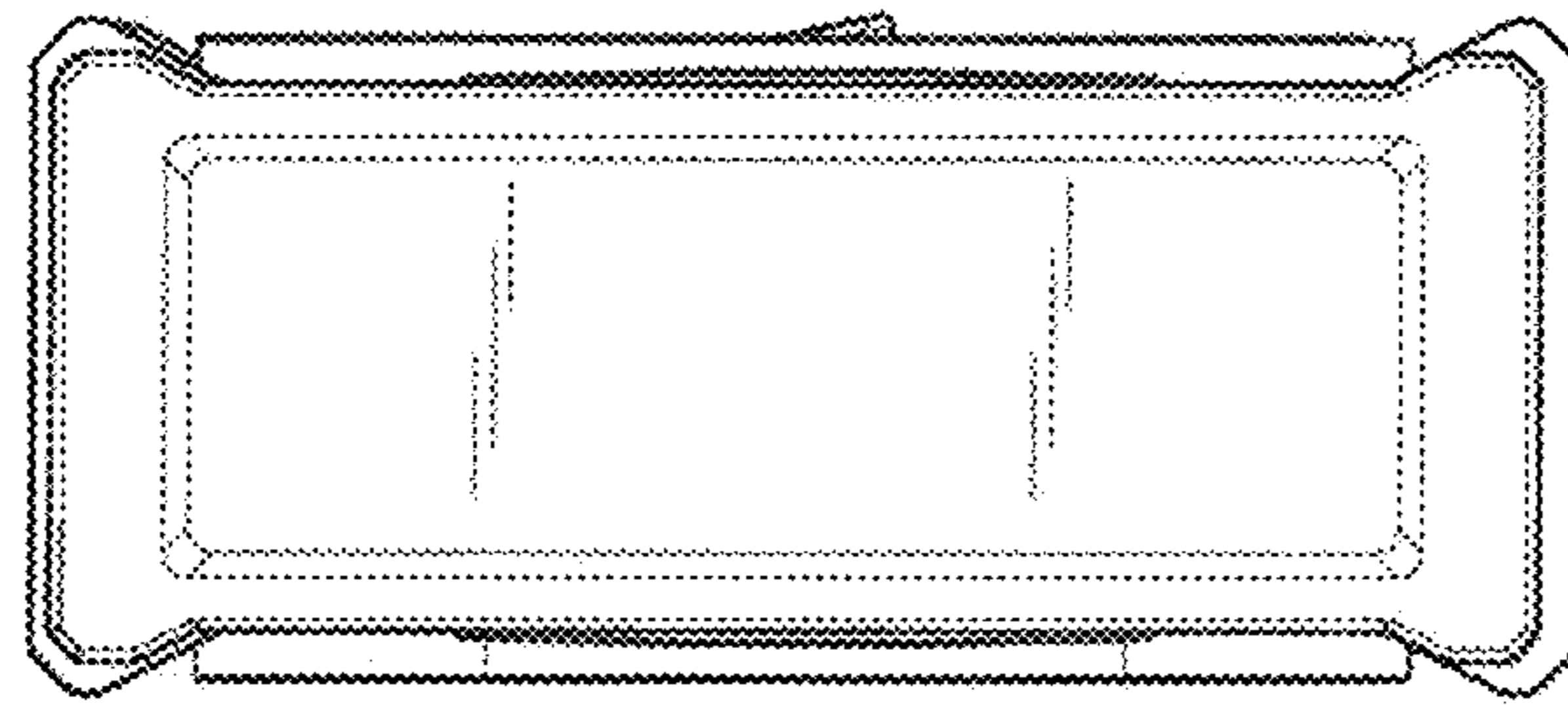


FIG. 6

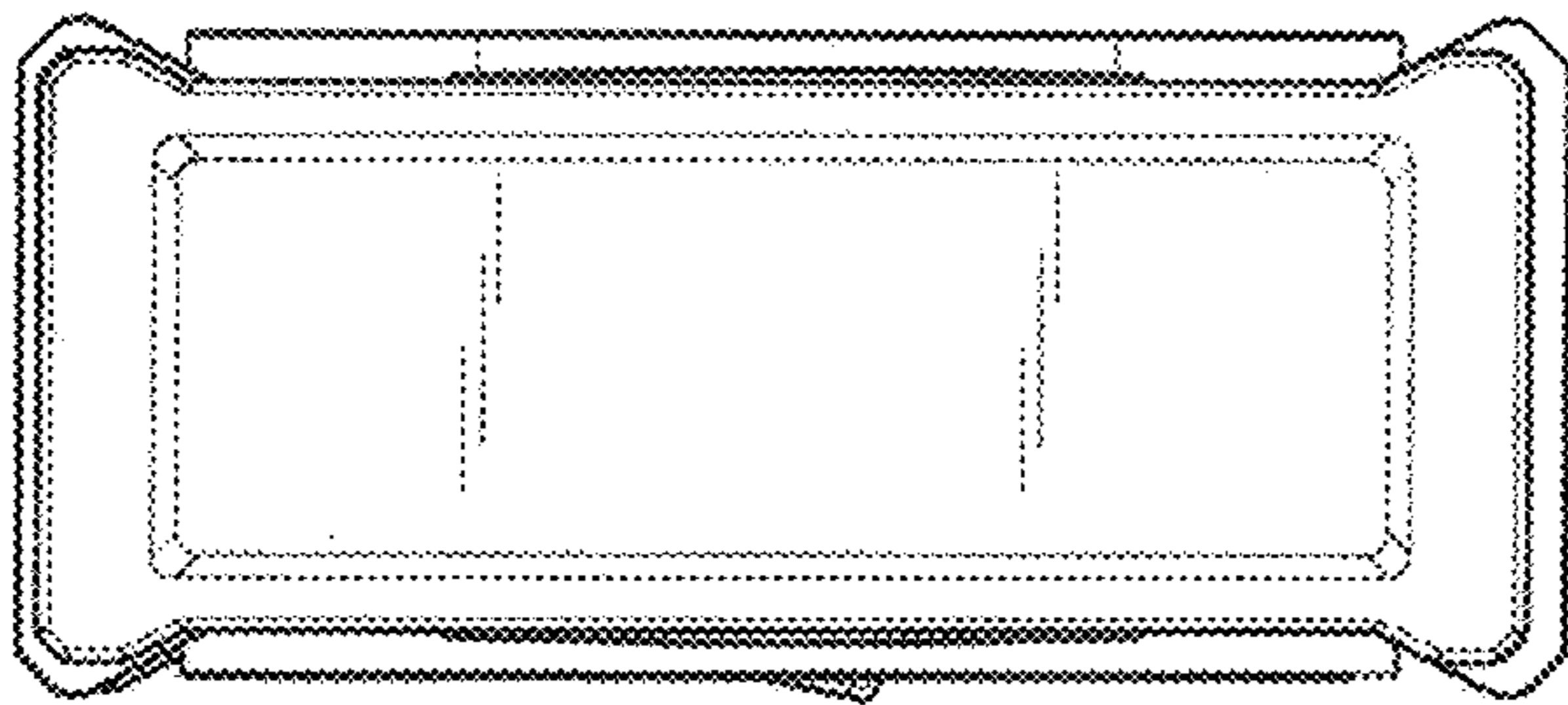


FIG. 7

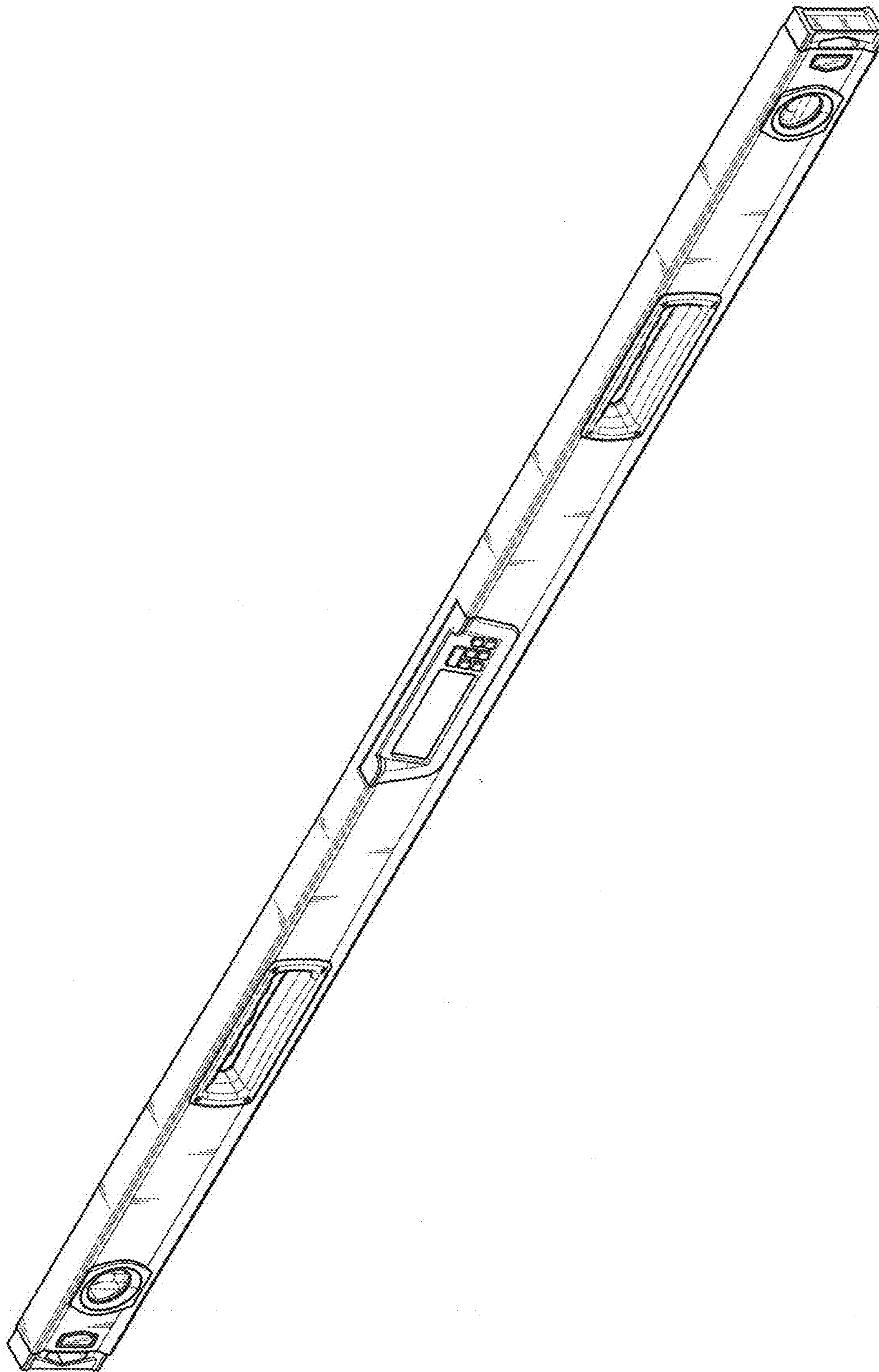


FIG. 8

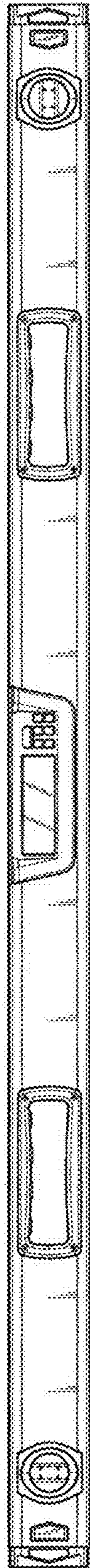


FIG. 9

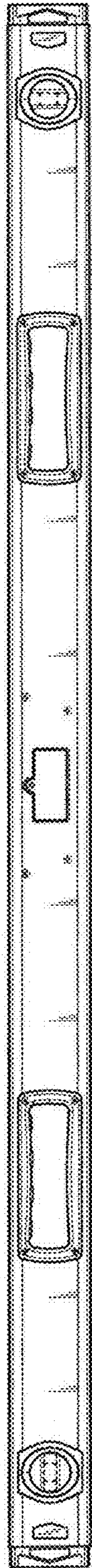


FIG. 10



FIG. 11



FIG. 12