



US00D825353S

(12) **United States Design Patent** (10) **Patent No.:** **US D825,353 S**
Wojciechowski (45) **Date of Patent:** **** Aug. 14, 2018**

(54) **BOX BEAM LEVEL**

(71) Applicant: **Diamond Tech LLC**, Carson City, NV (US)

(72) Inventor: **Timothy J. Wojciechowski**, Hubertus, WI (US)

(73) Assignee: **DIAMOND TECH LLC**, Carson City, NV (US)

(**) Term: **15 Years**

(21) Appl. No.: **29/601,707**

(22) Filed: **Apr. 25, 2017**

(51) **LOC (11) Cl.** **10-04**

(52) **U.S. Cl.**
USPC **D10/69**

(58) **Field of Classification Search**
USPC **D10/69**

(Continued)

(56) **References Cited**

U.S. PATENT DOCUMENTS

D364,104 S * 11/1995 Johnson D10/69

D459,251 S * 6/2002 Scheyer D10/69

(Continued)

Primary Examiner — Antoine Duval Davis

(74) *Attorney, Agent, or Firm* — Boyle Fredrickson, S.C.

(57) **CLAIM**

The ornamental design of a box beam level, as shown and described.

DESCRIPTION

FIG. 1 is an isometric view of a box beam level incorporating my new design, wherein the break lines indicate indeterminate length and wherein the portions in phantom form no part of the claimed design;

FIG. 2 is a first side elevation view thereof;

FIG. 3 is a second side elevation view thereof;

FIG. 4 is a top plan view thereof;

FIG. 5 is a bottom plan view thereof;

FIG. 6 is a first end elevation view thereof;

FIG. 7 is a second end elevation view thereof;

FIG. 8 is an isometric view of a first fixed length embodiment of a box beam level incorporating my new design, wherein the portions in phantom form no part of the claimed design, and wherein the end elevation views thereof are identical to the end elevation views illustrated in FIGS. 6 and 7;

FIG. 9 is a first side elevation view thereof, wherein the second side elevation view is a mirror image;

FIG. 10 is a top plan view thereof;

FIG. 11 is a bottom plan view thereof;

FIG. 12 is an isometric view of a second fixed length embodiment of a box beam level incorporating my new design, wherein the portions in phantom form no part of the claimed design, and wherein the end elevation views thereof are identical to the end elevation views illustrated in FIGS. 6 and 7;

FIG. 13 is a first side elevation view thereof, wherein the second side elevation view is a mirror image;

FIG. 14 is a top plan view thereof;

FIG. 15 is a bottom plan view thereof;

FIG. 16 is an isometric view of a third fixed length embodiment of a box beam level incorporating my new design, wherein the portions in phantom form no part of the claimed design, and wherein the end elevation views thereof are identical to the end elevation views illustrated in FIGS. 6 and 7;

FIG. 17 is a first side elevation view thereof, wherein the second side elevation view is a mirror image;

FIG. 18 is a top plan view thereof;

FIG. 19 is a bottom plan view thereof;

FIG. 20 is an isometric view of a fourth fixed length embodiment of a box beam level incorporating my new design, wherein the portions in phantom form no part of the claimed design, and wherein the end elevation views thereof are identical to the end elevation views illustrated in FIGS. 6 and 7;

FIG. 21 is a first side elevation view thereof, wherein the second side elevation view is a mirror image;

FIG. 22 is a top plan view thereof;

(Continued)

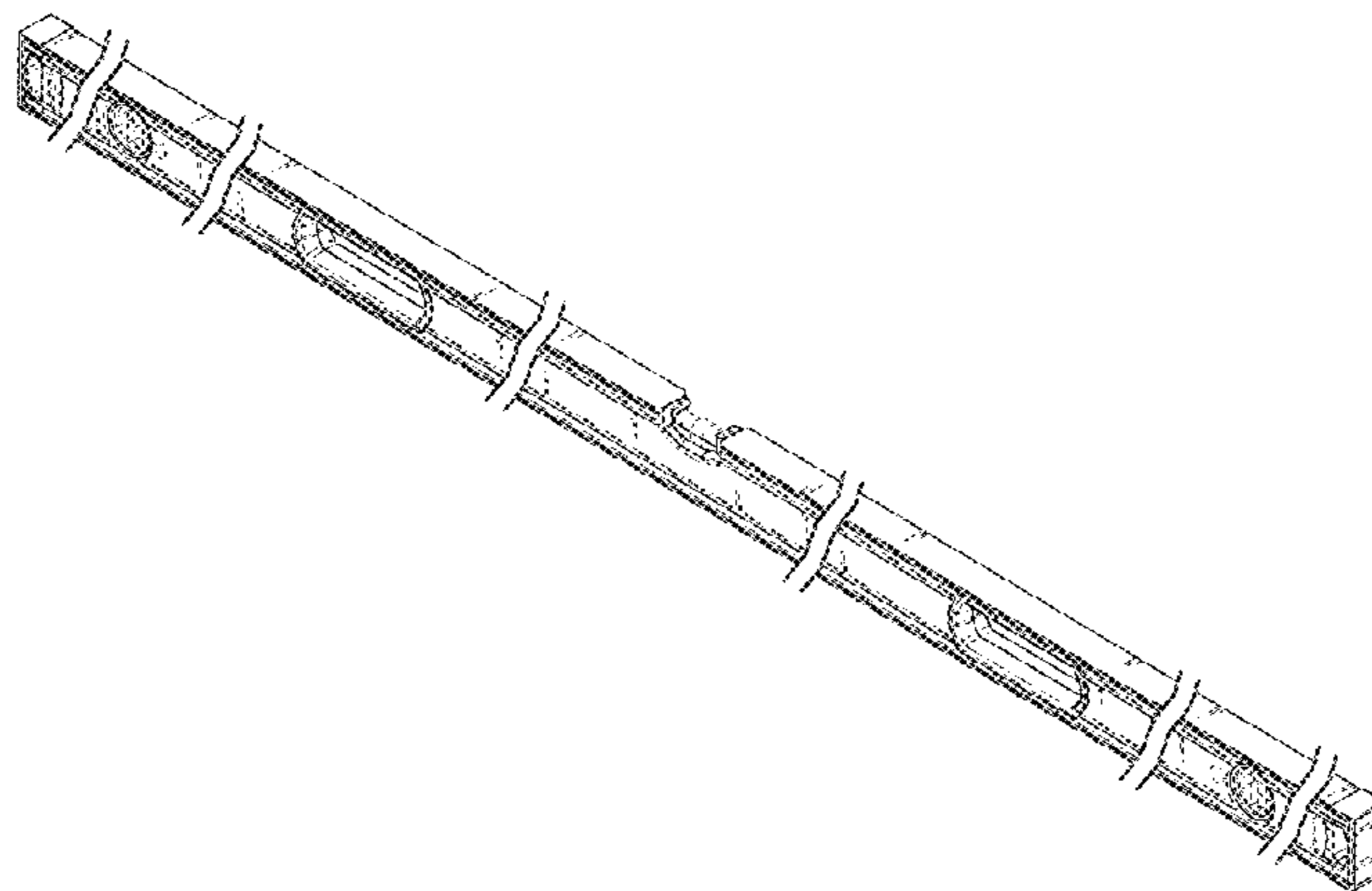


FIG. 23 is a bottom plan view thereof;
 FIG. 24 is an isometric view of a fifth fixed length embodiment of a box beam level incorporating my new design, wherein the portions in phantom form no part of the claimed design, and wherein the end elevation views thereof are identical to the end elevation views illustrated in FIGS. 6 and 7;
 FIG. 25 is a first side elevation view thereof, wherein the second side elevation view is a mirror image;
 FIG. 26 is a top plan view thereof; and,
 FIG. 27 is a bottom plan view thereof.

1 Claim, 26 Drawing Sheets

(58) **Field of Classification Search**

CPC . G01C 9/00; G01C 9/005; G01C 9/02; G01C 9/04; G01C 9/06; G01C 9/08; G01C 9/10; G01C 9/12; G01C 9/14; G01C 9/16; G01C 9/18; G01C 9/20; G01C 9/22; G01C 9/24; G01C 9/26; G01C 9/28; G01C 9/30; G01C 9/32; G01C 9/34; G01C 9/36; G01C 2009/005; G01C 2009/062; G01C 2009/064; G01C 2009/066; G01C 2009/068; G01C 2009/102; G01C 2009/105; G01C

2009/107; G01C 2009/182; G01C 2009/185; G01C 2009/187

See application file for complete search history.

(56)

References Cited

U.S. PATENT DOCUMENTS

D469,370	S *	1/2003	Gruetzmacher	D10/69
D493,737	S *	8/2004	Nickel	D10/74
D498,132	S *	11/2004	Lai	D8/334
D513,391	S	1/2006	Kim		
D521,399	S *	5/2006	Johnson	D10/69
7,073,270	B2	7/2006	Kim		
D555,523	S *	11/2007	Nickel	D10/69
D573,908	S *	7/2008	Levinson	D10/69
D598,308	S *	8/2009	Gofer	D10/69
7,797,848	B2	9/2010	Cobb et al.		
D633,400	S *	3/2011	Wojciechowski	D10/69
D634,221	S *	3/2011	Wojciechowski	D10/69
D643,320	S	8/2011	Lewis et al.		
D646,594	S *	10/2011	Allemant	D10/69
D656,425	S *	3/2012	Wojciechowski	D10/74
8,925,212	B2 *	1/2015	Allemant	G01C 9/32 33/348.2
D730,207	S	5/2015	Ben Josef et al.		
D735,065	S	7/2015	Wojciechowski et al.		
D743,281	S *	11/2015	Wojciechowski	D10/69
D750,511	S *	3/2016	Wojciechowski	D10/69
D751,430	S	3/2016	Johnson et al.		

* cited by examiner

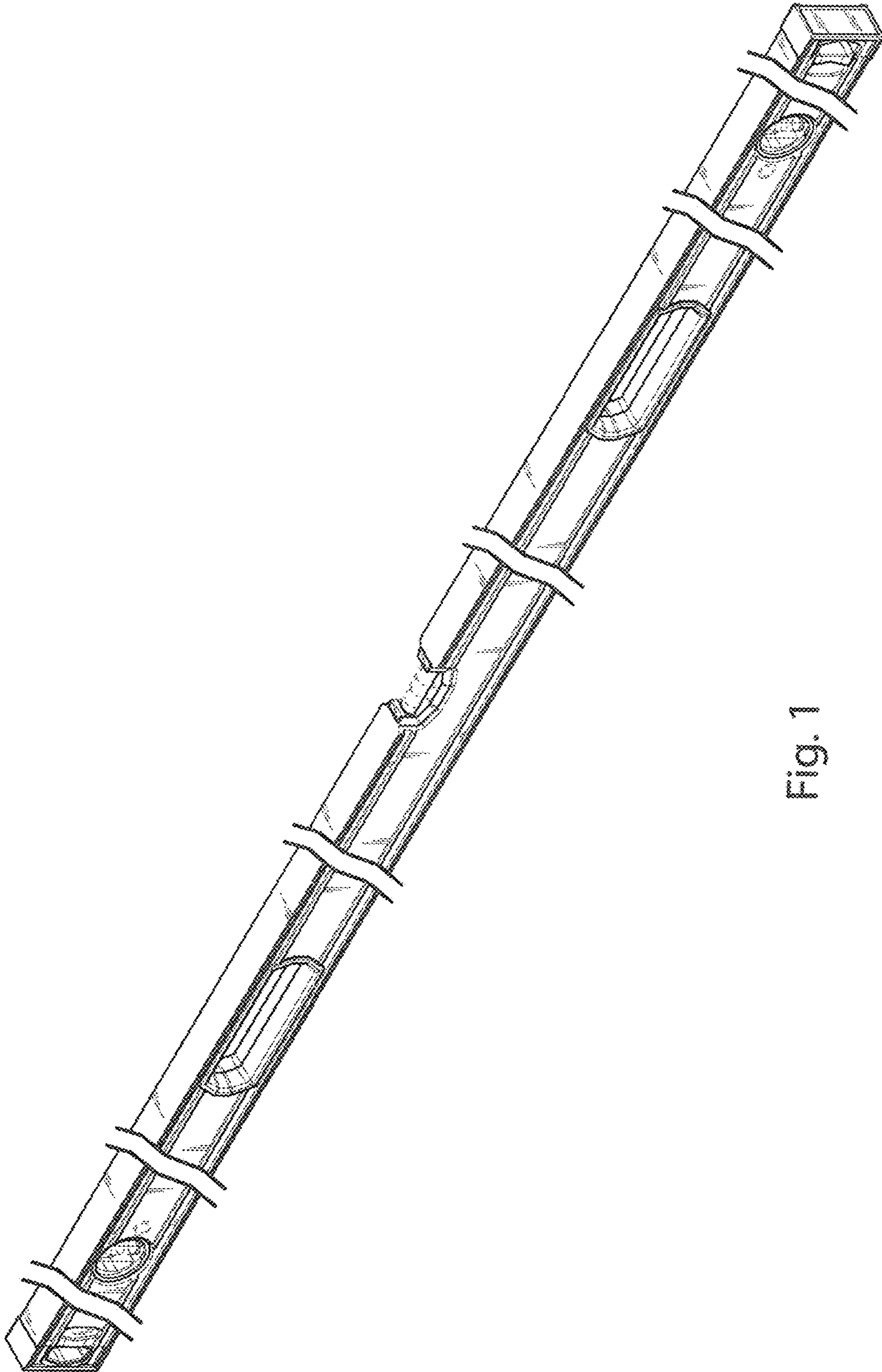


Fig. 1

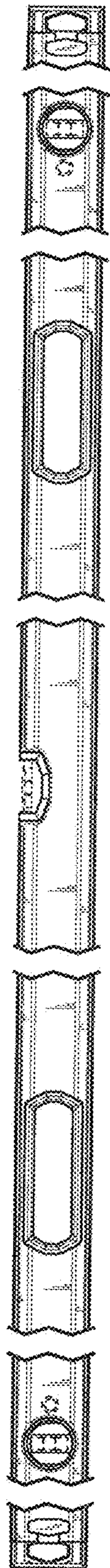


Fig. 2

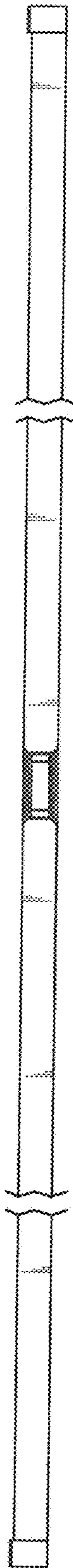


Fig. 4

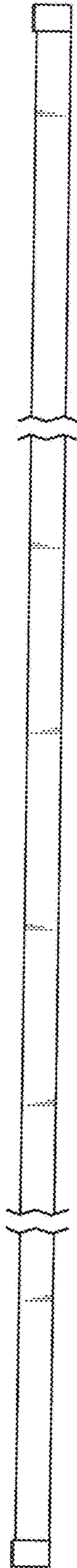


Fig. 5

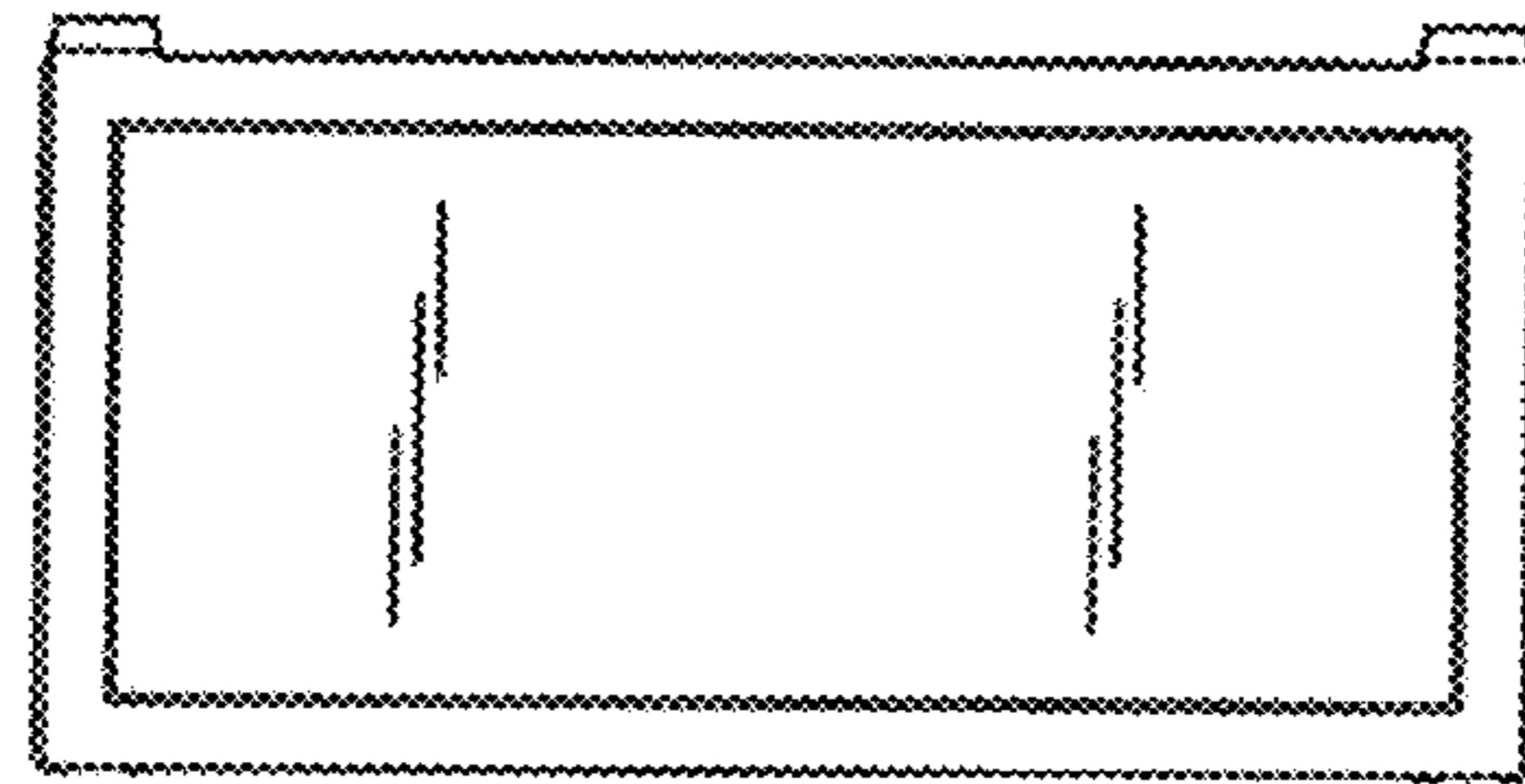


Fig. 7

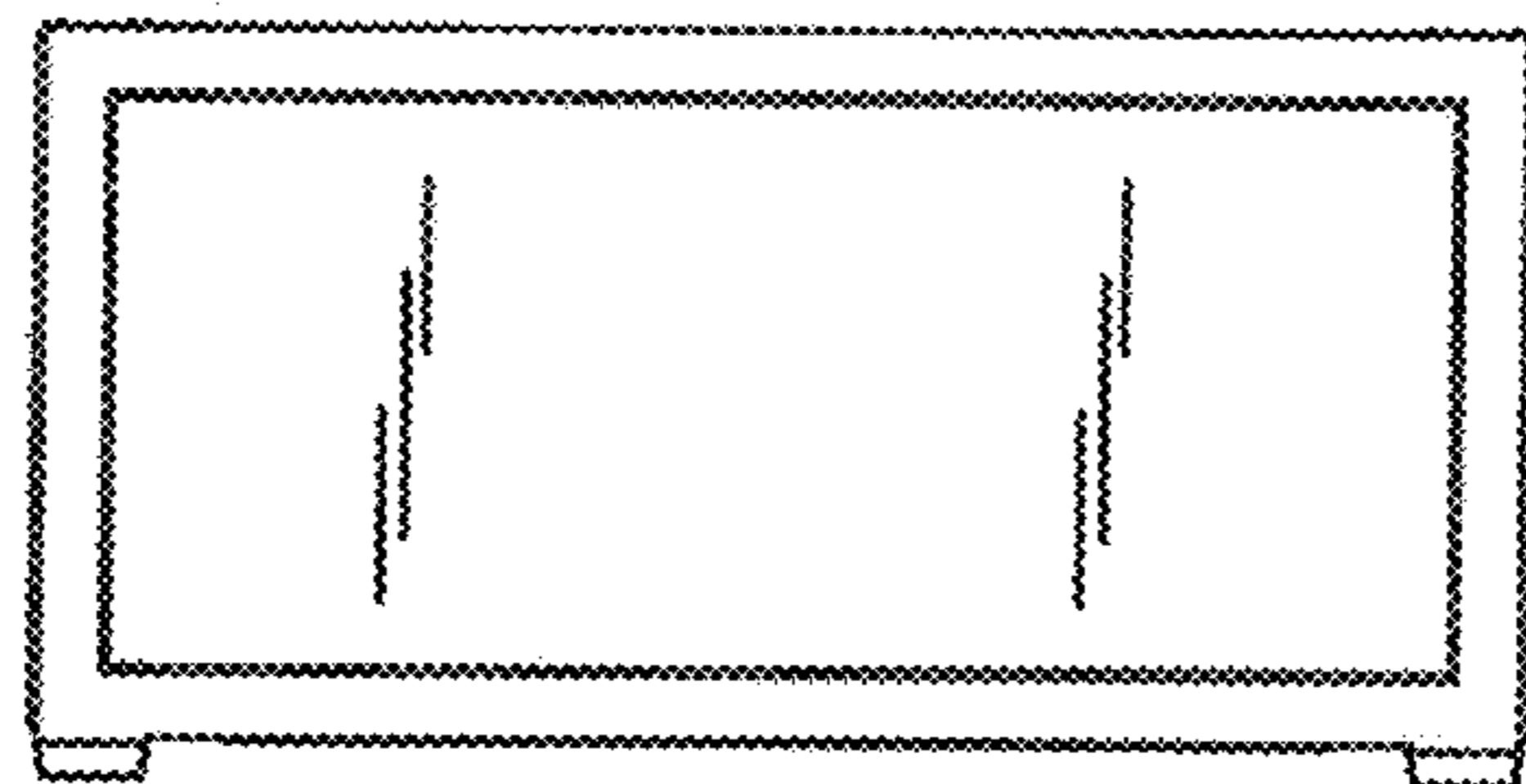


Fig. 6

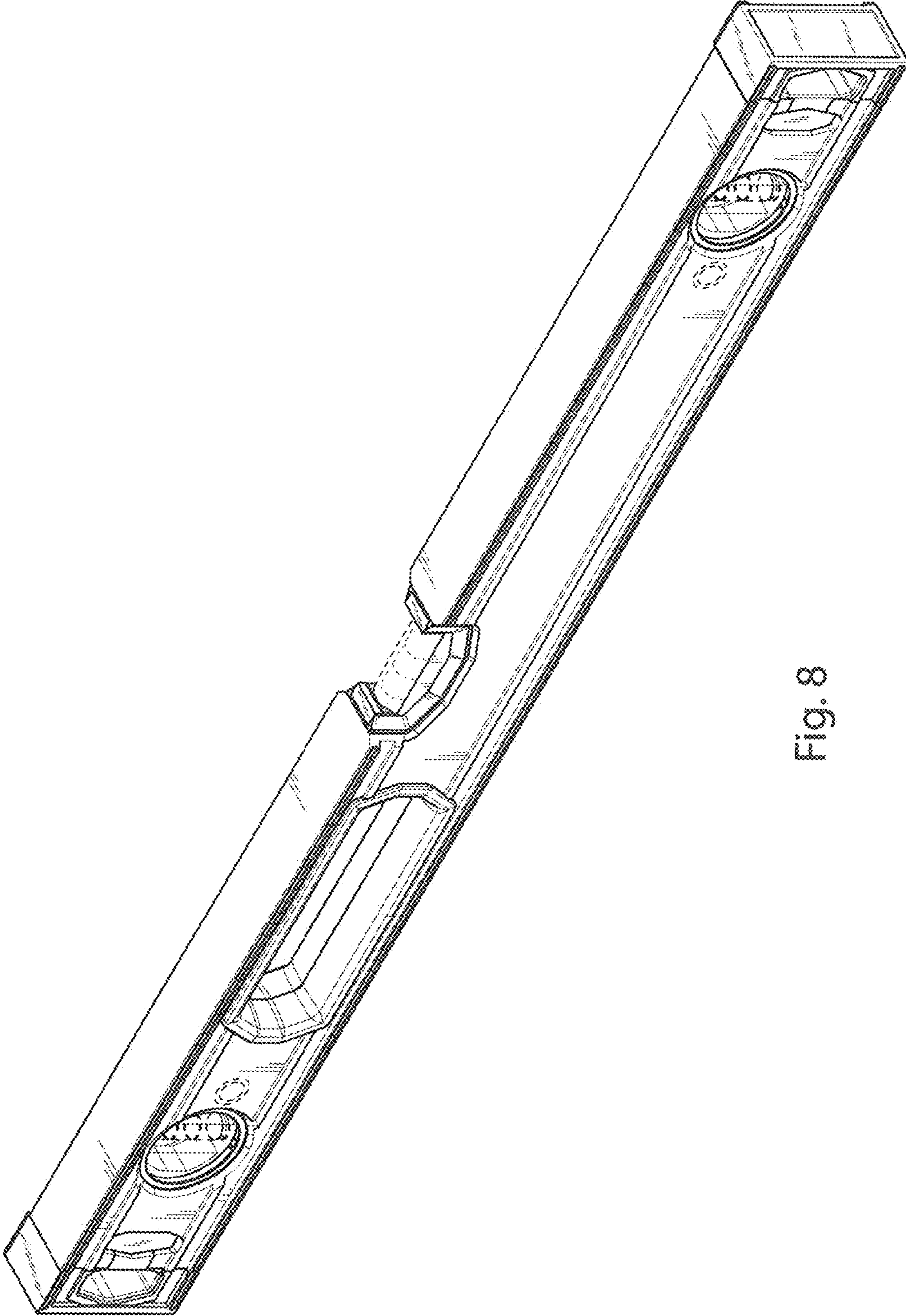


Fig. 8

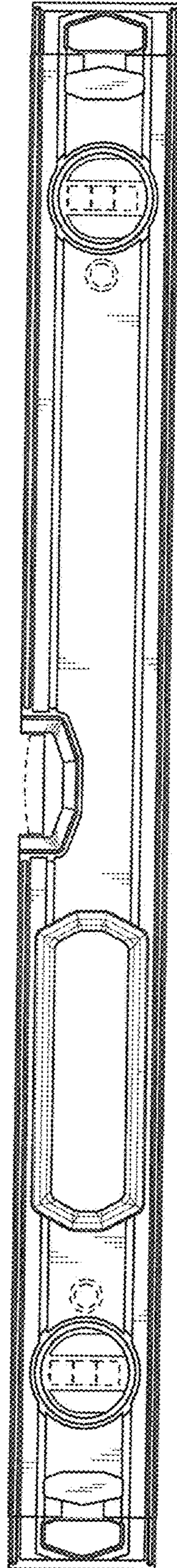


Fig. 9

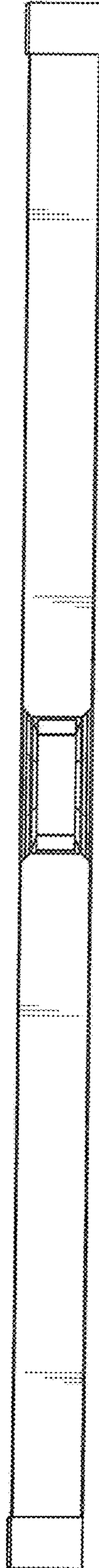


Fig. 10

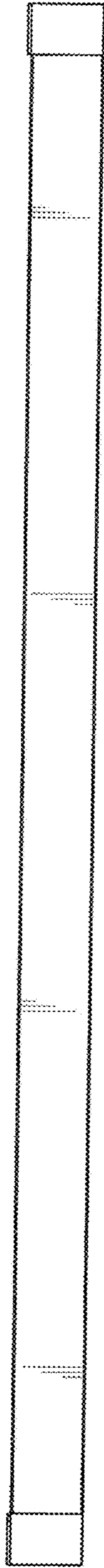


Fig. 11

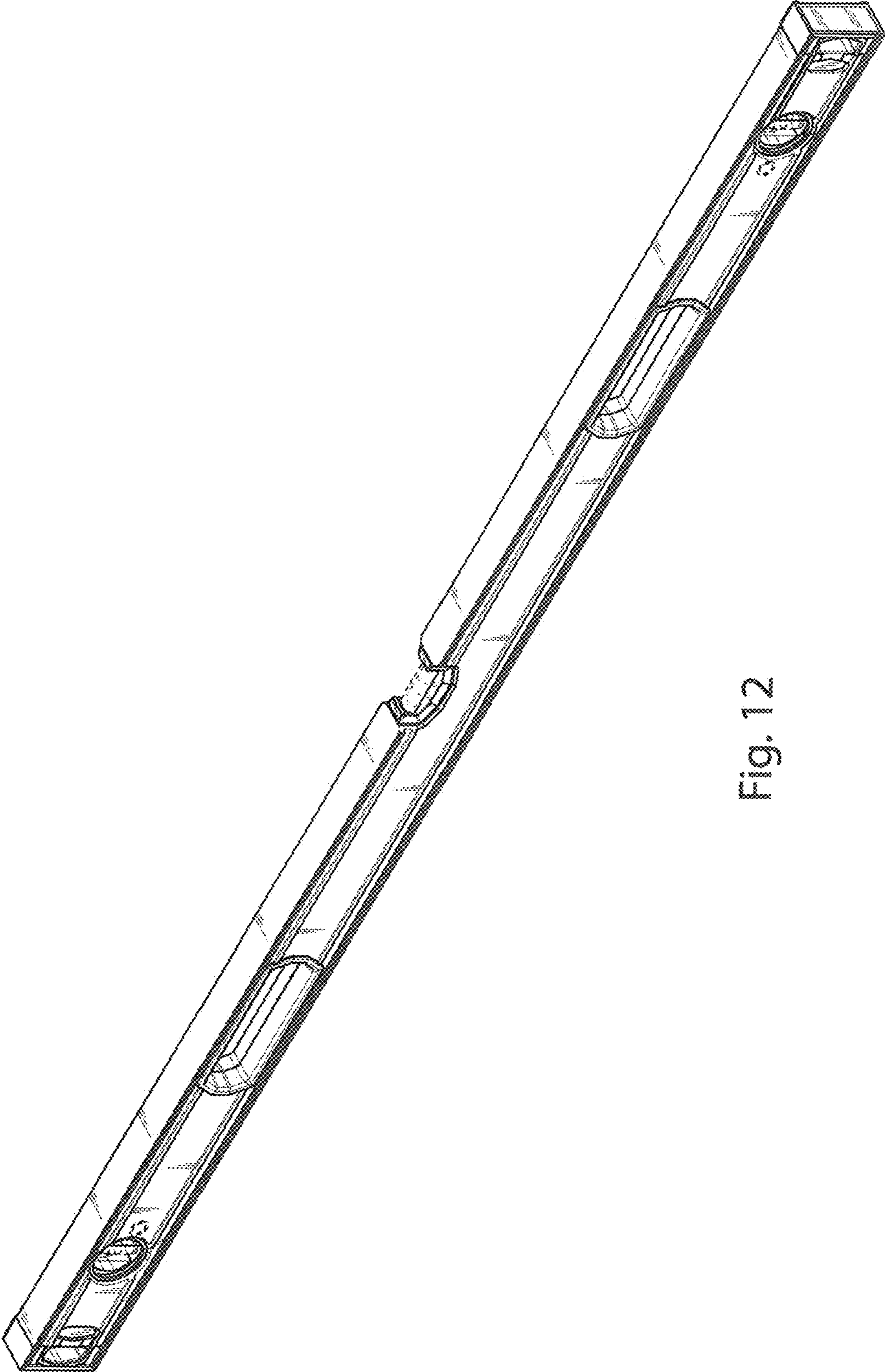


Fig. 12

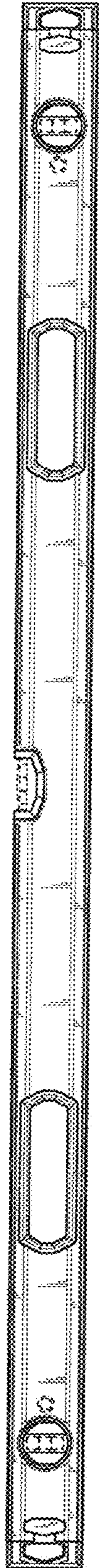


Fig. 13

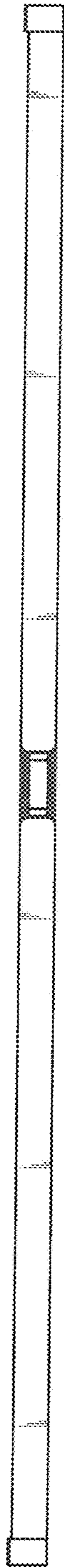


Fig. 14

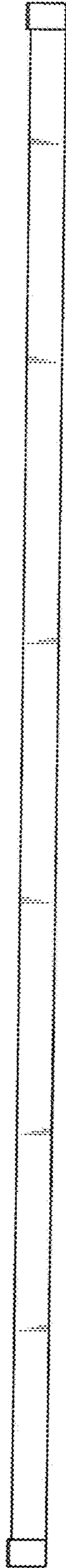


Fig. 15



Fig. 16

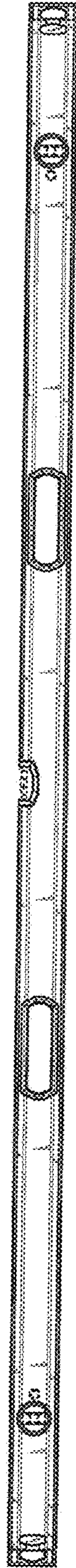


Fig. 17



Fig. 18

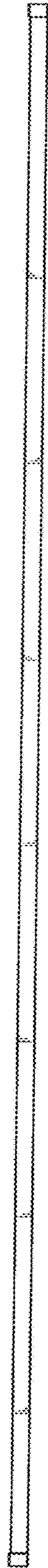


Fig. 19



Fig. 20

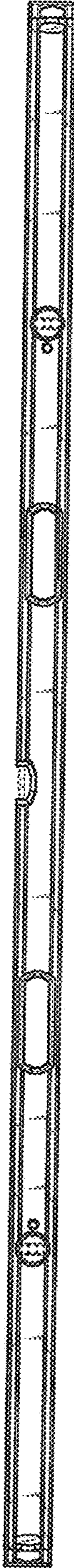


Fig. 21

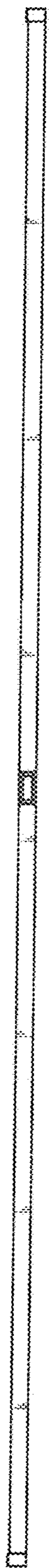


Fig. 22

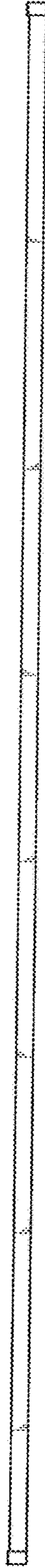


Fig. 23



Fig. 24



Fig. 25



Fig. 26

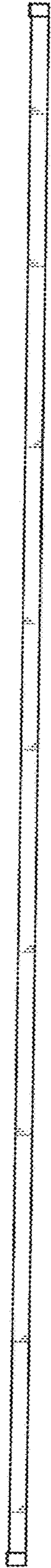


Fig. 27