



US00D825349S

(12) **United States Design Patent**
Kikuta

(10) **Patent No.:** **US D825,349 S**
(45) **Date of Patent:** **** Aug. 14, 2018**

(54) **BAG**

- (71) Applicant: **Marna Inc.**, Tokyo (JP)
- (72) Inventor: **Minami Kikuta**, Tokyo (JP)
- (73) Assignee: **Marna Inc.**, Tokyo (JP)
- (**) Term: **15 Years**
- (21) Appl. No.: **29/618,588**
- (22) Filed: **Sep. 22, 2017**

Related U.S. Application Data

- (62) Division of application No. 29/559,577, filed on Mar. 30, 2016, now Pat. No. Des. 802,441.

(30) **Foreign Application Priority Data**

- Oct. 2, 2015 (JP) 2015-021766
- Jan. 13, 2016 (JP) 2016-000540
- (51) **LOC (11) Cl.** **09-05**
- (52) **U.S. Cl.**
USPC **D9/703**
- (58) **Field of Classification Search**
USPC D9/702-714, 414-415, 417-418, 737,
D9/424, 430-432, 433, 730-732, 756,
(Continued)

(56) **References Cited**

U.S. PATENT DOCUMENTS

- D122,138 S * 8/1940 Freidman D3/246
- D139,612 S 12/1944 Norton
(Continued)

FOREIGN PATENT DOCUMENTS

- HK 0312285.0 12/2003
- JP D1435474 3/2012
- KR 30-0391007 9/2005

OTHER PUBLICATIONS

Orange Page, Jun. 17, 2012, Japan, (3 pages).

Primary Examiner — Abraham Bahta

(74) *Attorney, Agent, or Firm* — Kilyk & Bowersox, P.L.L.C.

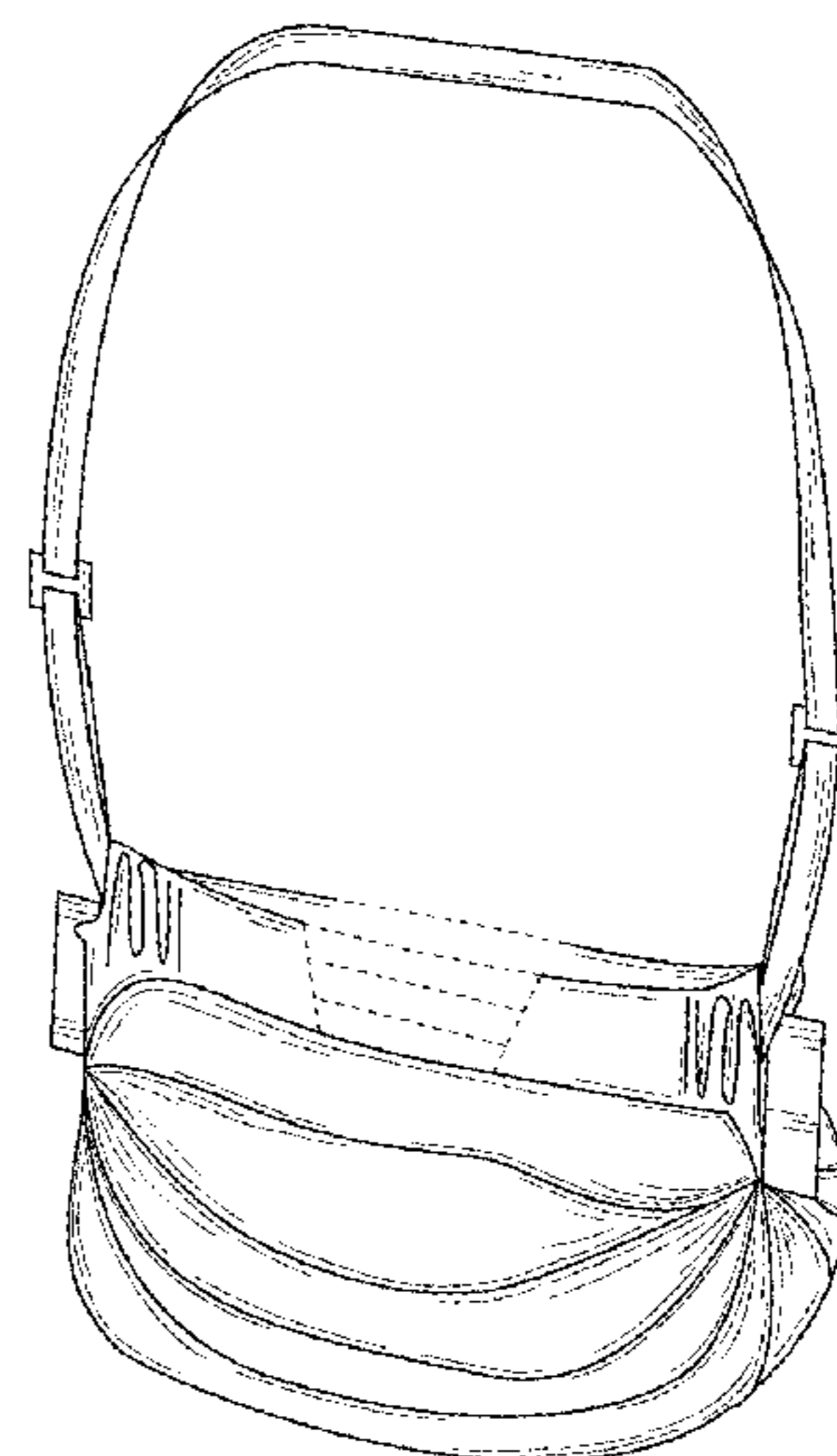
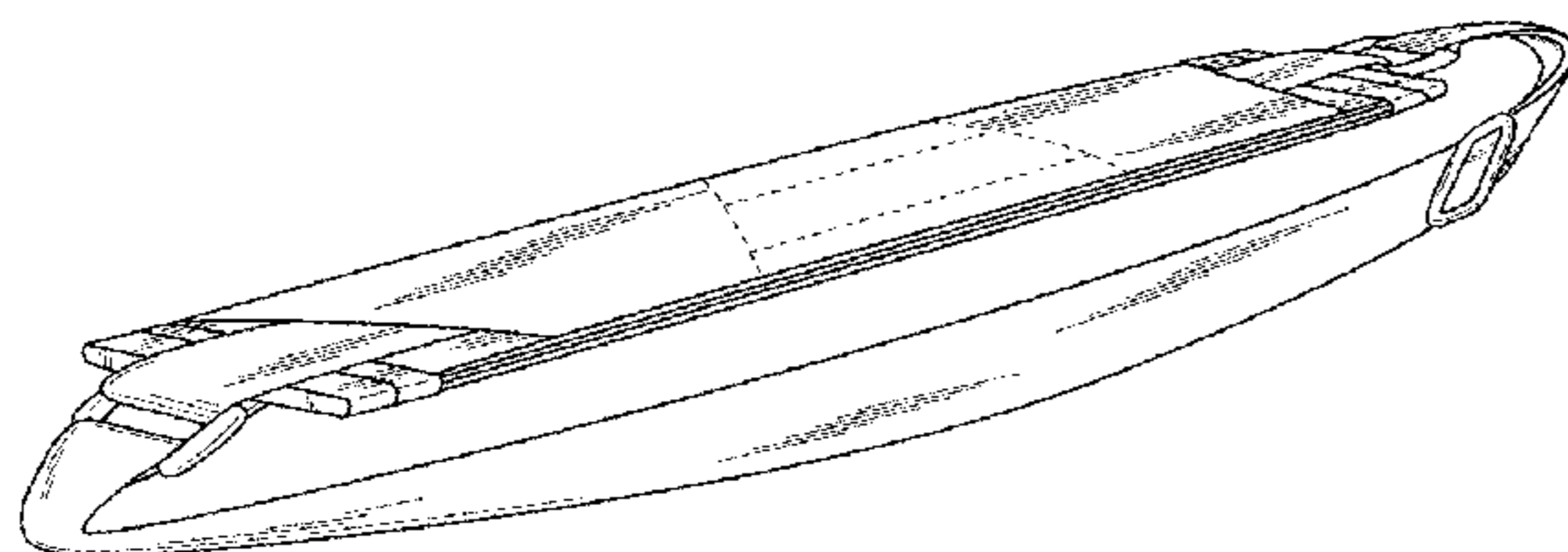
(57) **CLAIM**

I claim the ornamental design for a bag, as shown and described.

DESCRIPTION

FIG. 1 is a perspective view of the bag showing my new design;
 FIG. 2 is a front elevation view thereof;
 FIG. 3 is a back elevation view thereof;
 FIG. 4 is a top plan view thereof;
 FIG. 5 is a bottom plan view thereof;
 FIG. 6 is a right side elevation view thereof;
 FIG. 7 is a left side elevation view thereof;
 FIG. 8 is another front elevation view thereof, wherein the bag is in a partially open position;
 FIG. 9 is another perspective view thereof; the bag being in a partially open position;
 FIG. 10 is another front elevation view thereof; the bag being in a fully open position;
 FIG. 11 is another perspective view thereof; the bag being in a fully open position;
 FIG. 12 is another perspective view thereof; the bag being in a partially expanded position for use as a tote bag; and,
 FIG. 13 is another perspective view thereof; the bag being in a fully expanded position for use as a shoulder bag.
 The broken lines are for purposes of illustration only and form no part of the claimed design.

1 Claim, 13 Drawing Sheets



(58) **Field of Classification Search**

USPC D9/761; D7/549, 553.2, 590, 602;
D3/201, 203.3, 303, 202; 206/527, 4.27,
206/807, 260, 811, 103, 207; 220/500,
220/666; 229/120.011, 87.06;
426/119-120; 222/92, 107, 215, 206
CPC B65D 85/00; B65D 75/00; B65D 33/00;
B65D 33/24; B65D 33/16; B65D 33/12;
B65D 33/008; B65D 33/06; B65D 25/04;
B65D 31/00; B65D 31/005

See application file for complete search history.

(56) **References Cited**

U.S. PATENT DOCUMENTS

D270,496 S	9/1983	Hyers
D517,420 S	3/2006	Scheider
D576,888 S	9/2008	Helfman
D600,135 S	9/2009	Valentine
D747,604 S	1/2016	Kurtz
D764,942 S	8/2016	Bacchini

* cited by examiner

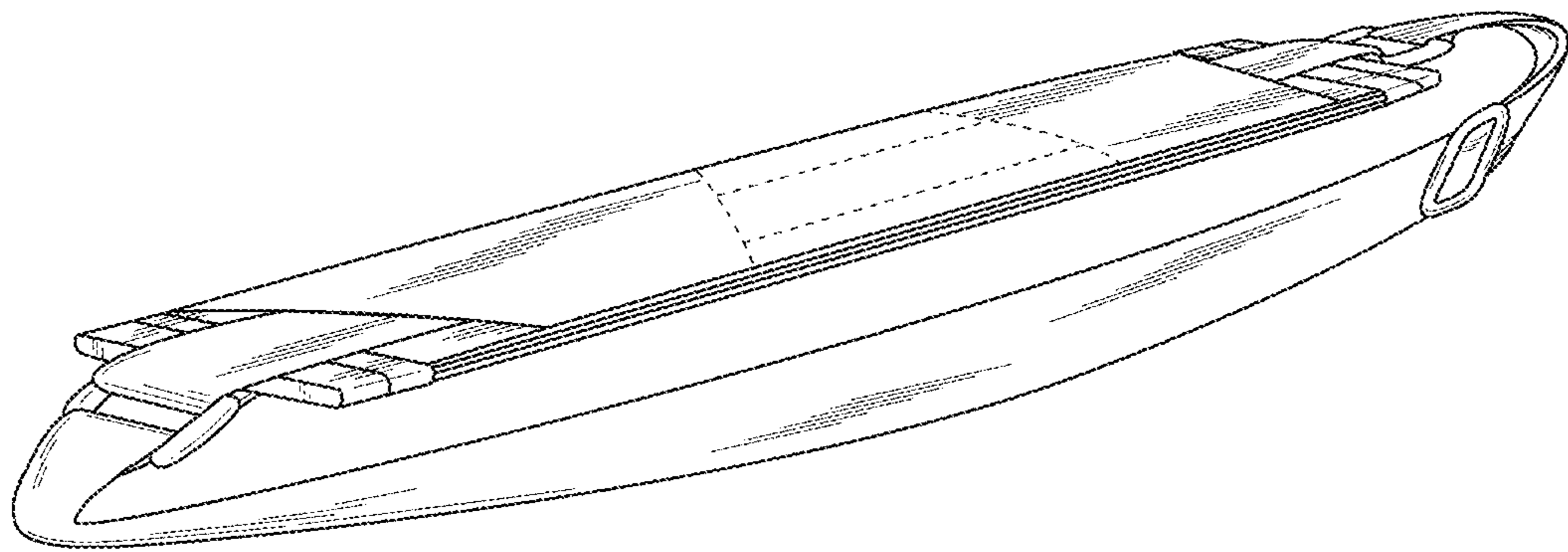


FIG. 1

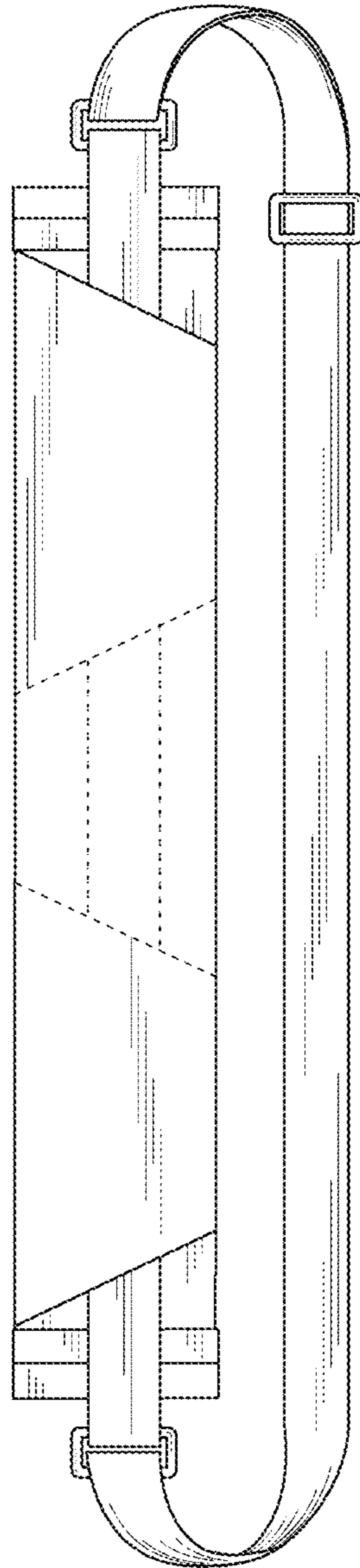


FIG. 2

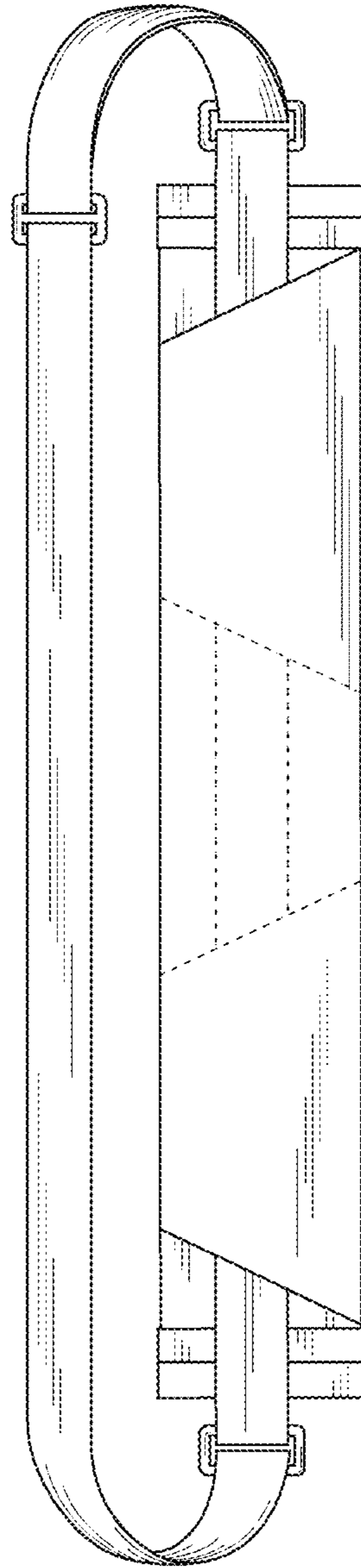


FIG. 3

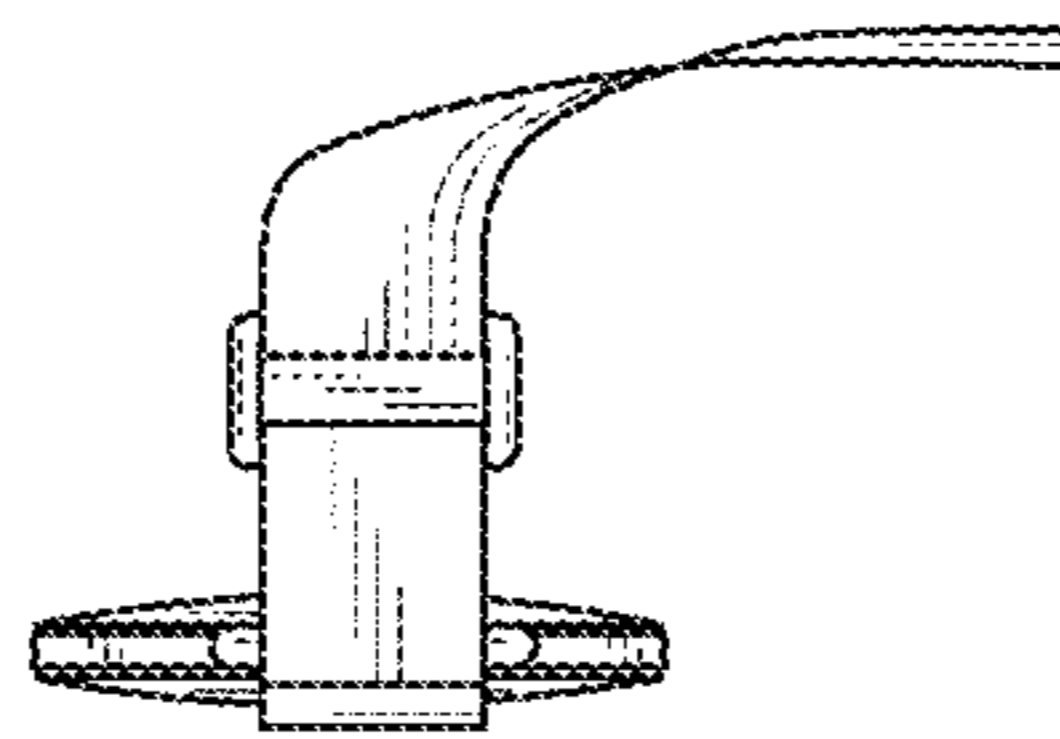


FIG. 4

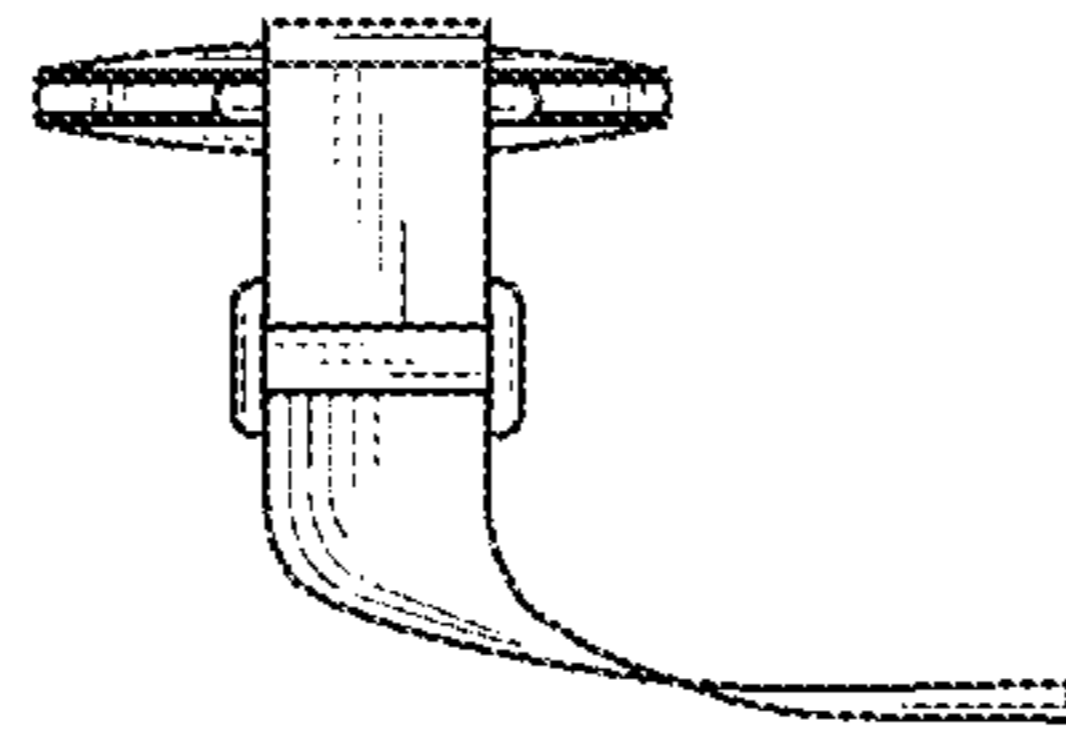


FIG. 5

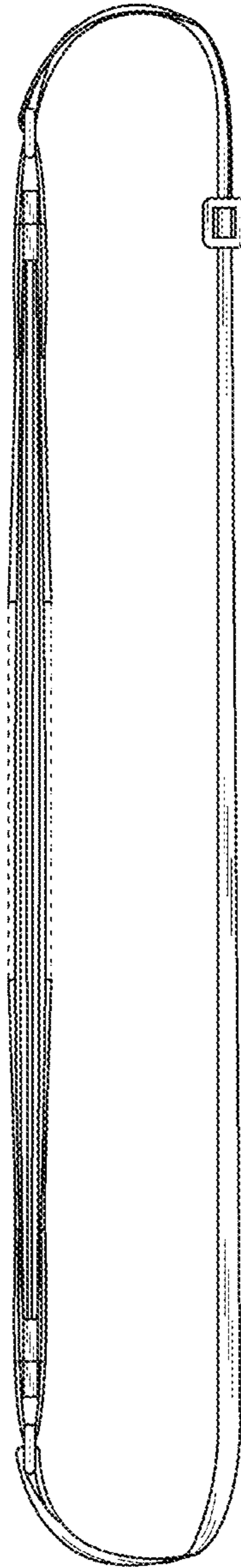


FIG. 6

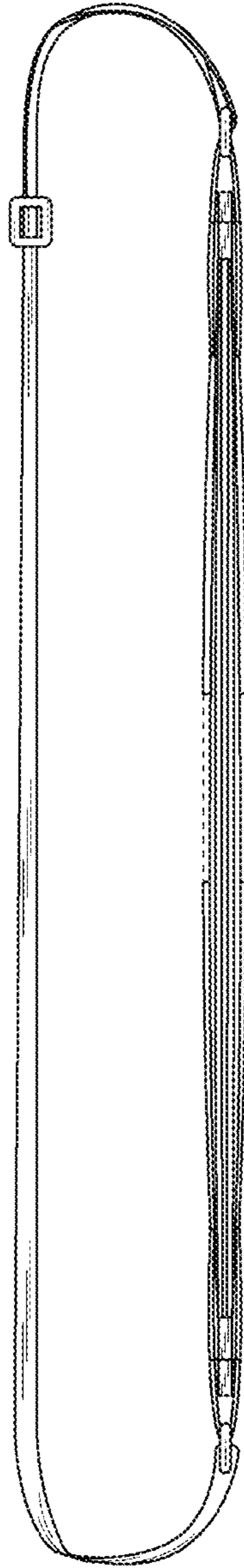


FIG. 7

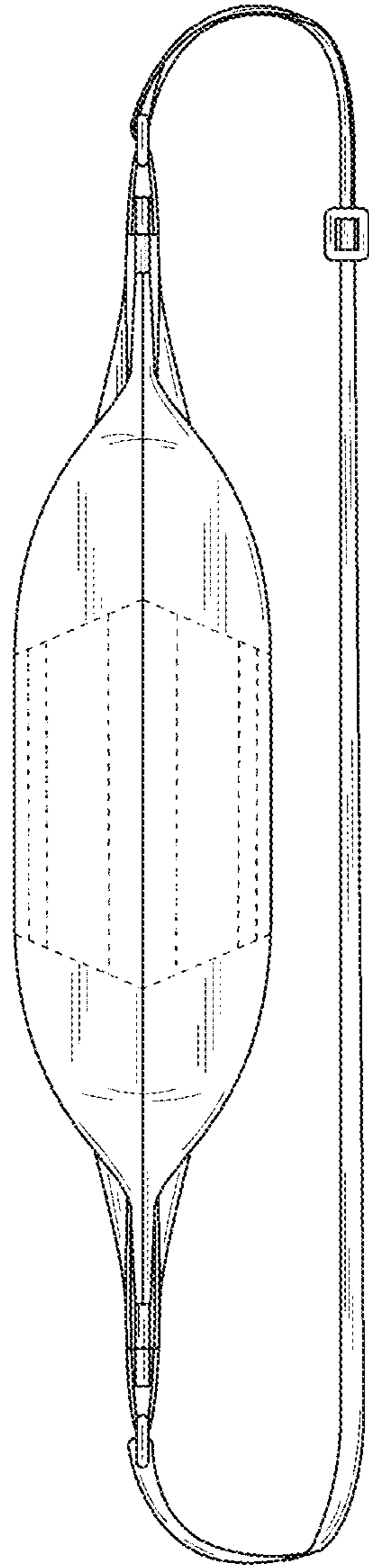


FIG. 8

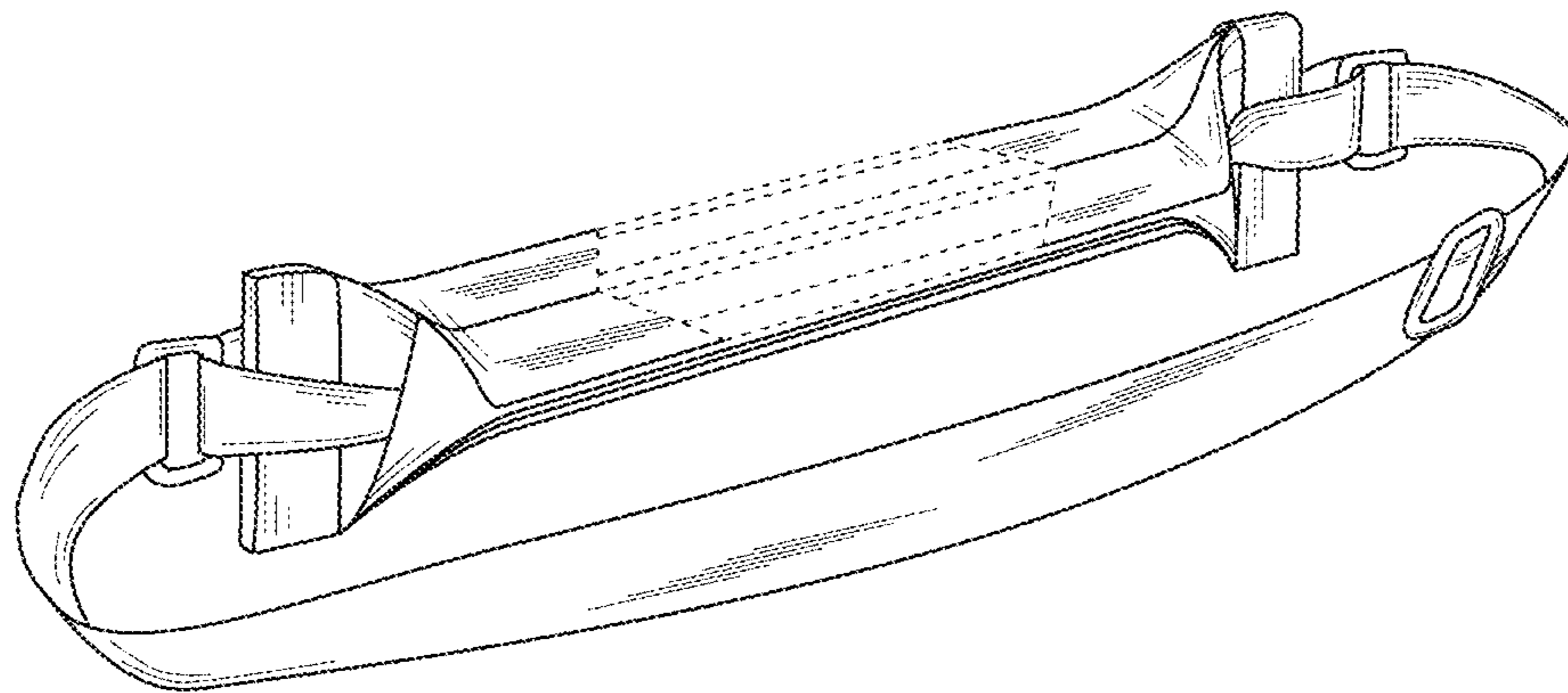


FIG. 9

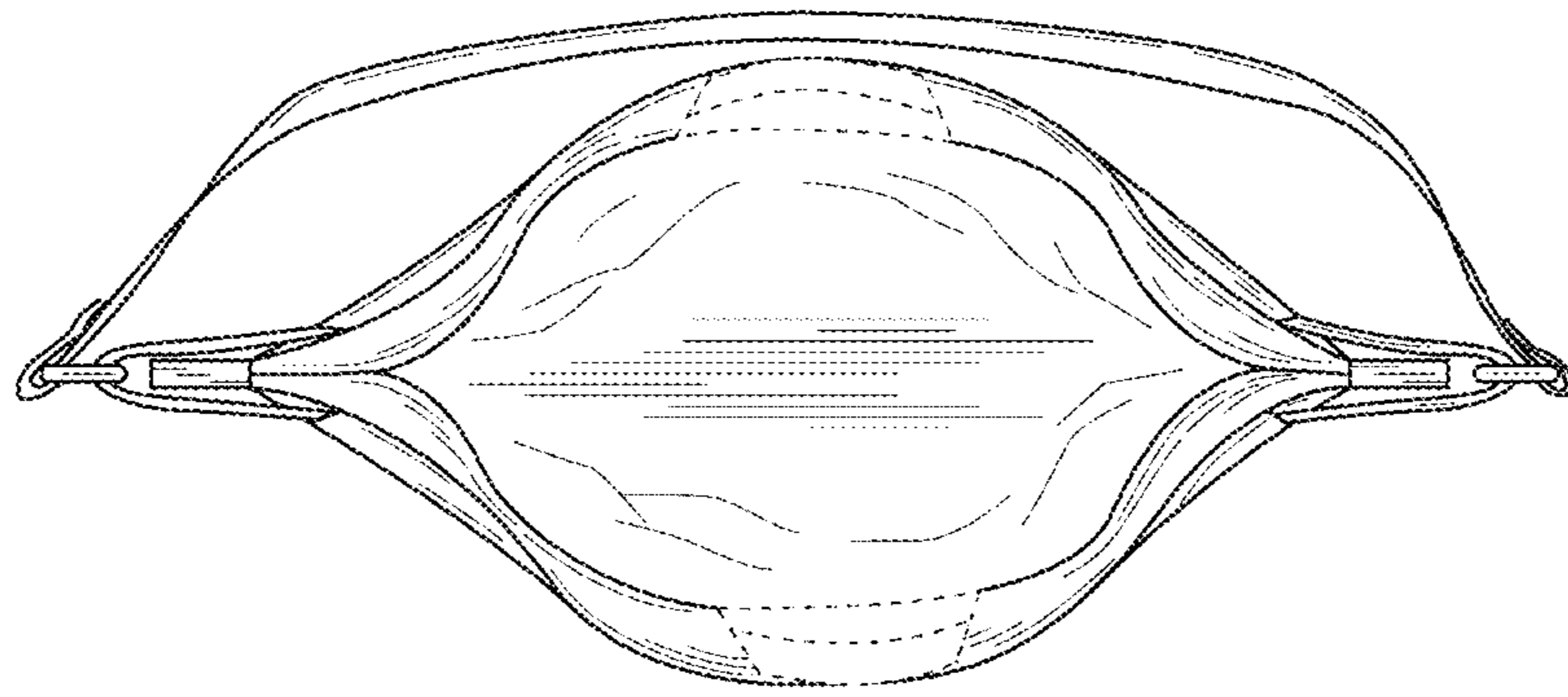


FIG. 10

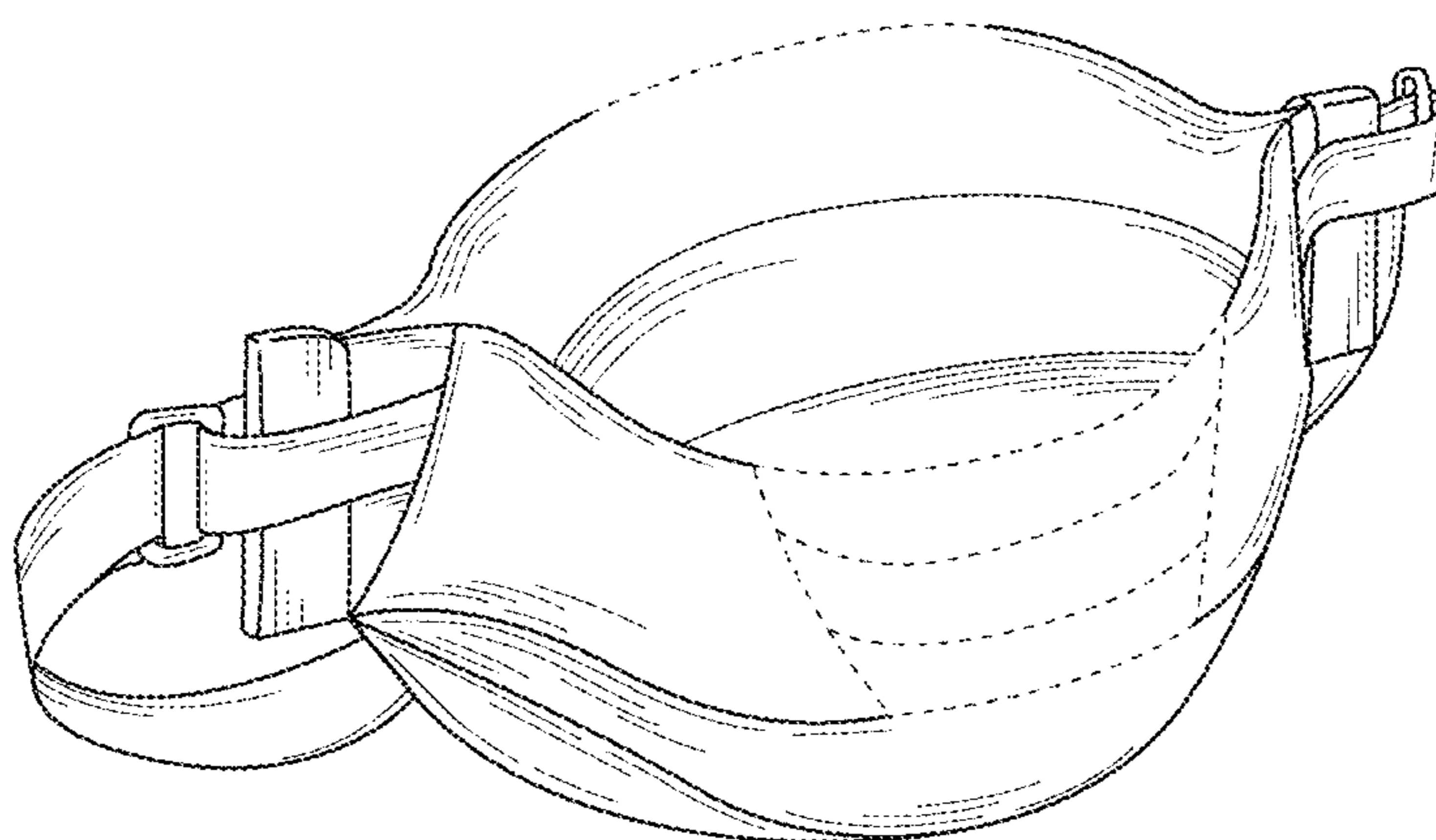


FIG. 11

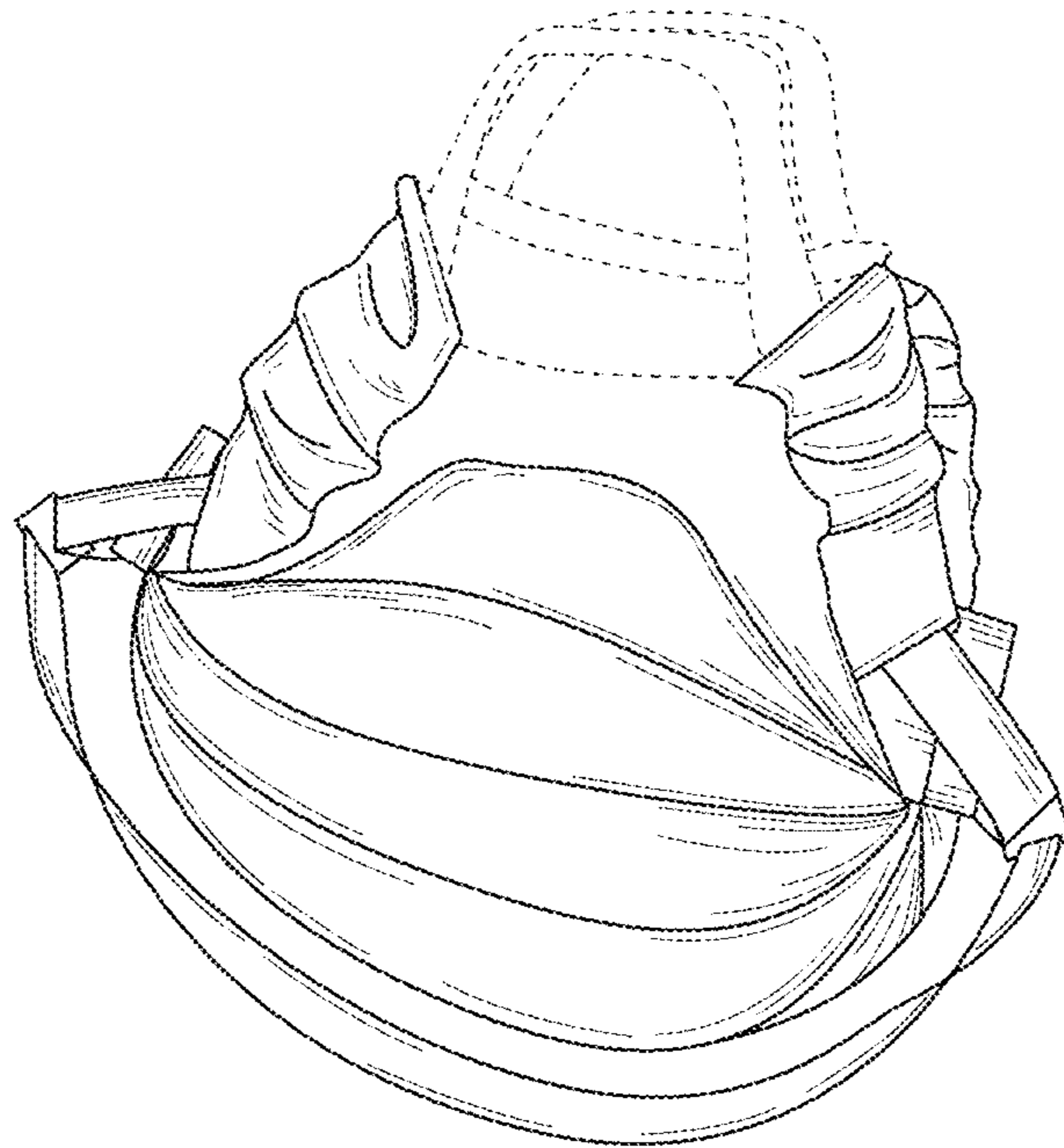


FIG. 12

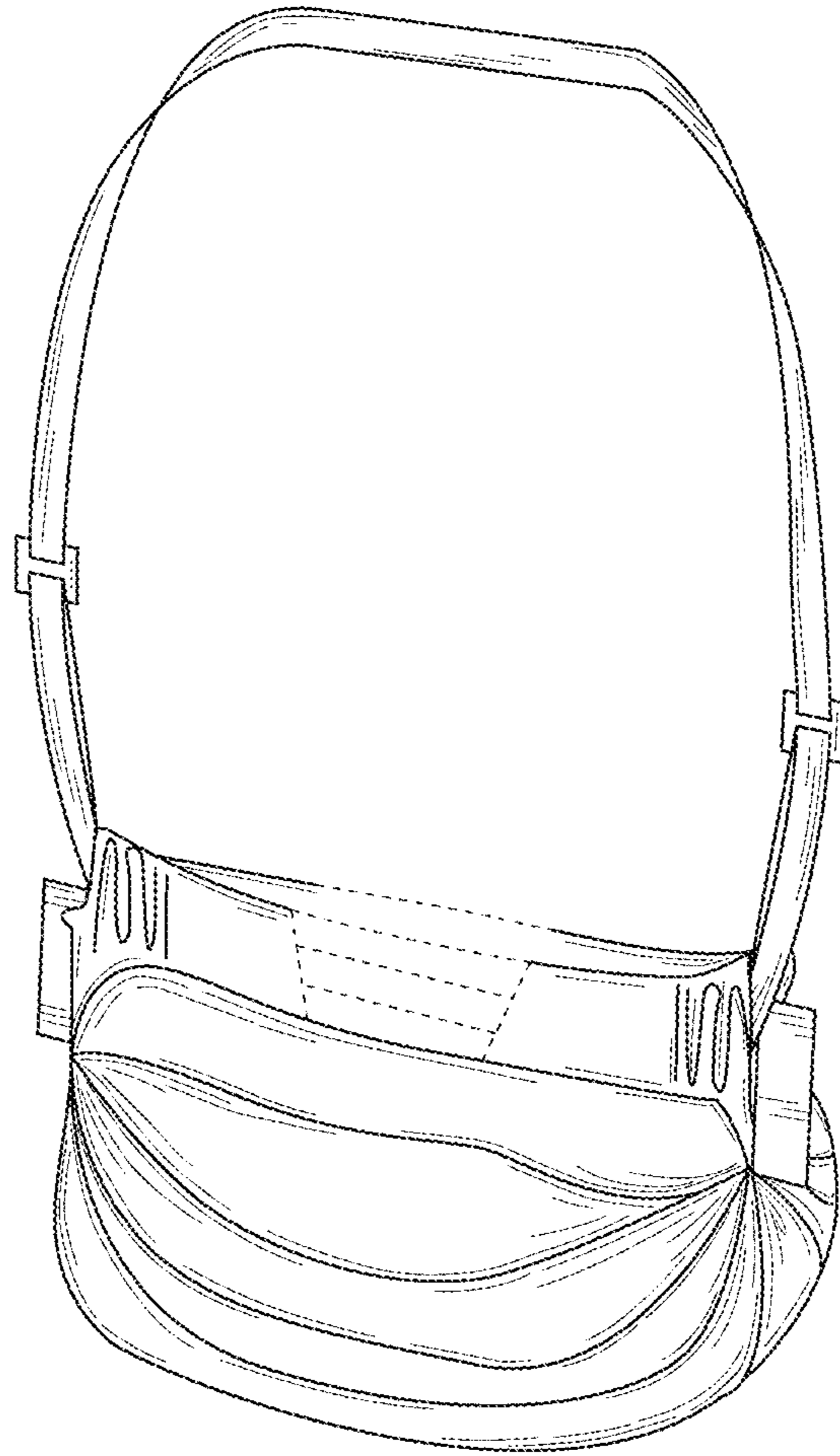


FIG. 13