



US00D825348S

(12) **United States Design Patent** (10) **Patent No.:** **US D825,348 S**
Caly (45) **Date of Patent:** **** *Aug. 14, 2018**

- (54) **CHERRY-SHAPED CONTAINER**
- (71) Applicant: **VACO PAK INDUSTRIES LTD.,**
Yahud (IL)
- (72) Inventor: **Roy Caly, Kibbutz Yakum (IL)**
- (73) Assignee: **VACO PAK INDUSTRIES LTD.,**
Yahud (IL)
- (*) Notice: This patent is subject to a terminal disclaimer.
- (**) Term: **15 Years**
- (21) Appl. No.: **29/599,850**
- (22) Filed: **Apr. 7, 2017**
- (51) **LOC (11) Cl.** **09-01**
- (52) **U.S. Cl.**
USPC **D9/645**
- (58) **Field of Classification Search**
USPC D3/270, 271.1-271.4; D7/509-511,
D7/514-521, 576-577, 594, 599, 604,
D7/613, 619.2, 623, 628; D9/600,
D9/643-647, 500-516, 523, 529,
D9/544-547, 414-434; 206/457, 459.5,
206/527; 215/381-384, 400
CPC B65D 5/4258; B65D 81/60; B65D 81/365;
B65D 81/366; B65D 81/368; B65D
2203/00; B65D 2203/02; B65D 85/34
See application file for complete search history.

- D233,413 S * 10/1974 Pietsch D9/646
- D326,145 S * 5/1992 Borakove D9/451
- D356,372 S * 3/1995 El-Assir D11/67
- D565,163 S * 3/2008 De Haan D23/366
- D622,609 S * 8/2010 Partin D9/645
- D625,196 S * 10/2010 Partin D9/645

OTHER PUBLICATIONS

Cherry Lip Balm, dated Apr. 4, 2011. <http://www.musingsofamuse.com/2011/04/tony-moly-mini-berry-lip-balm-review-swatches-photos.html>.*

* cited by examiner

Primary Examiner — Sandra L Morris
(74) *Attorney, Agent, or Firm* — Roach Brown McCarthy & Gruber, P.C.; Kevin D. McCarthy

(57) **CLAIM**

The ornamental design for a cherry-shaped container, as shown and described.

DESCRIPTION

FIG. 1 is an isometric view of a cherry-shaped container of the applicant's design;
FIG. 2 is a view of FIG. 1 with the top section flipped open thereof;
FIG. 3 is a top view of FIG. 1;
FIG. 4 is a bottom view of FIG. 1;
FIG. 5 is a front view of FIG. 1;
FIG. 6 is a back view of FIG. 1;
FIG. 7 is a right side view of FIG. 1; and,
FIG. 8 is a left side view of FIG. 1.

1 Claim, 4 Drawing Sheets

(56) **References Cited**

U.S. PATENT DOCUMENTS

- D65,535 S * 9/1924 Mas D9/646
- D211,450 S * 6/1968 Caine D7/641

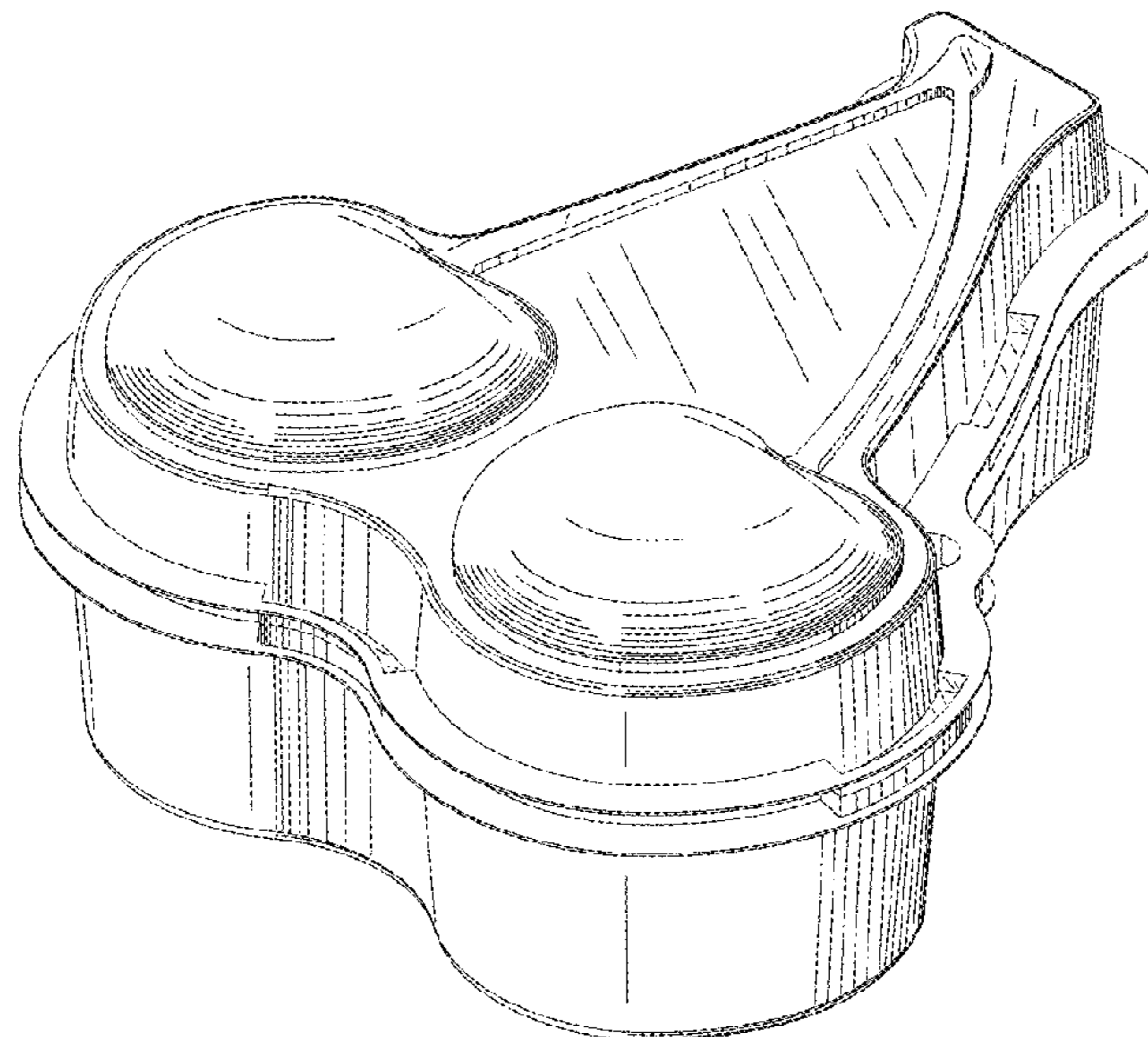


FIGURE 1

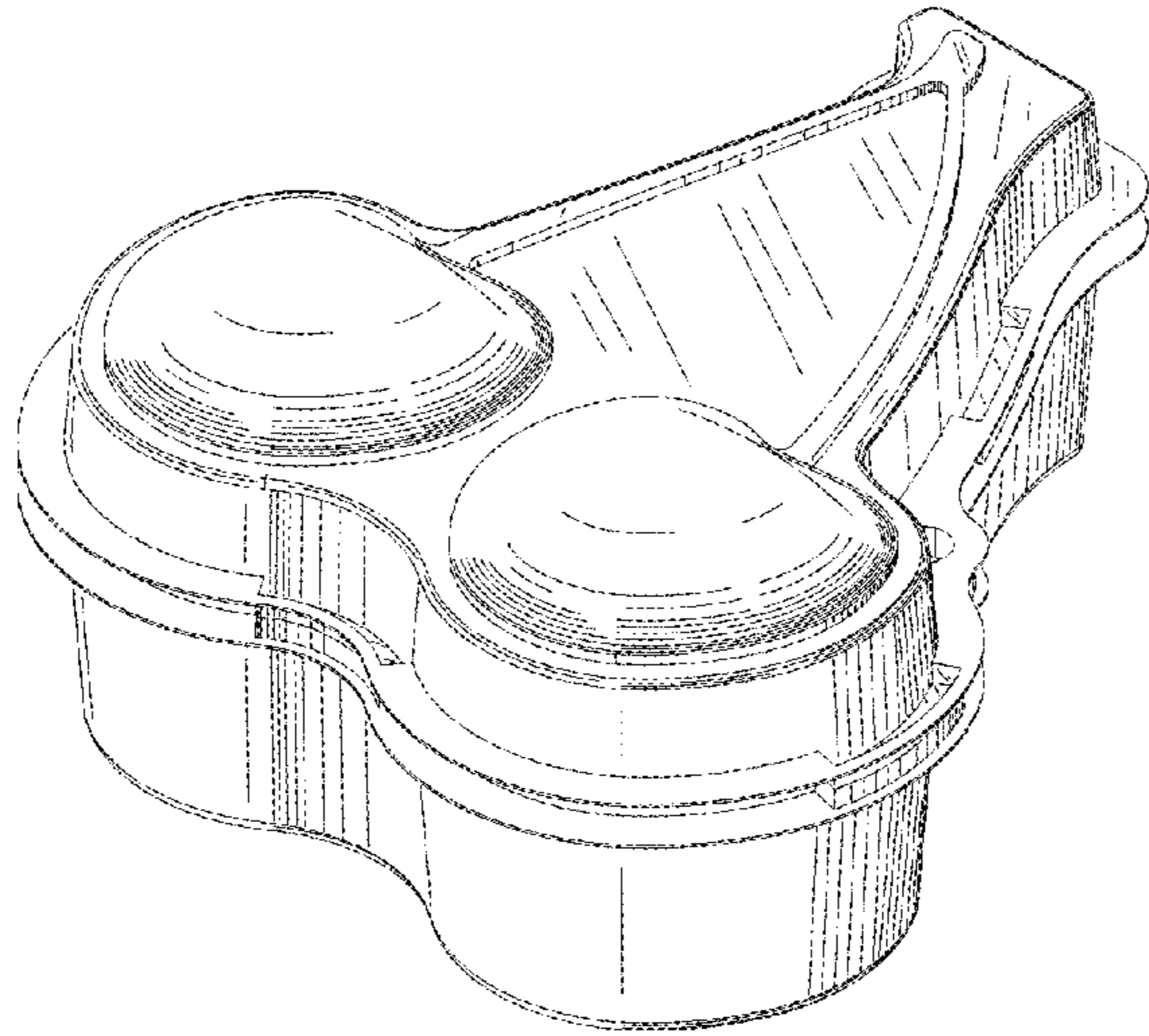


FIGURE 2

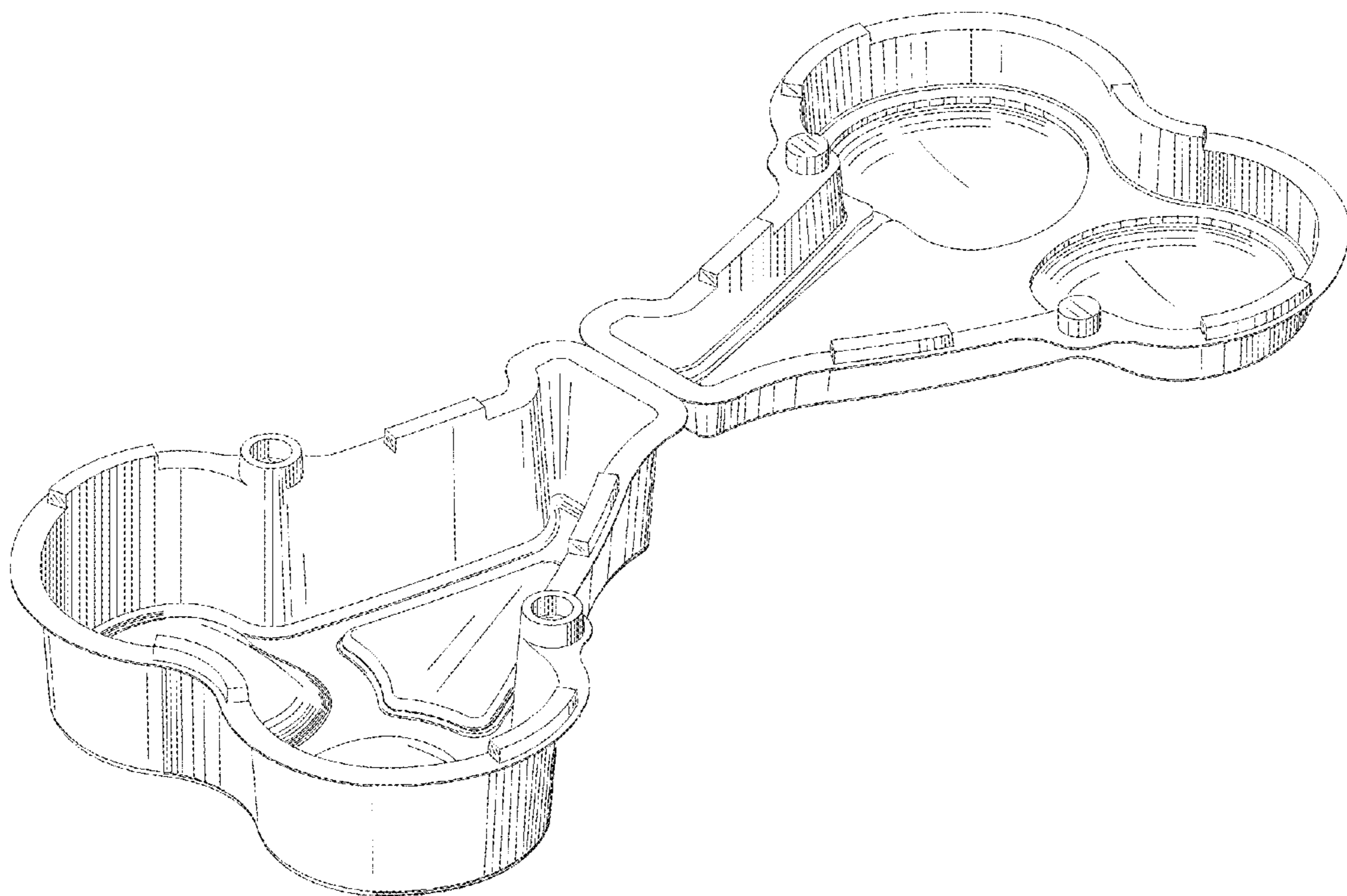


FIGURE 3

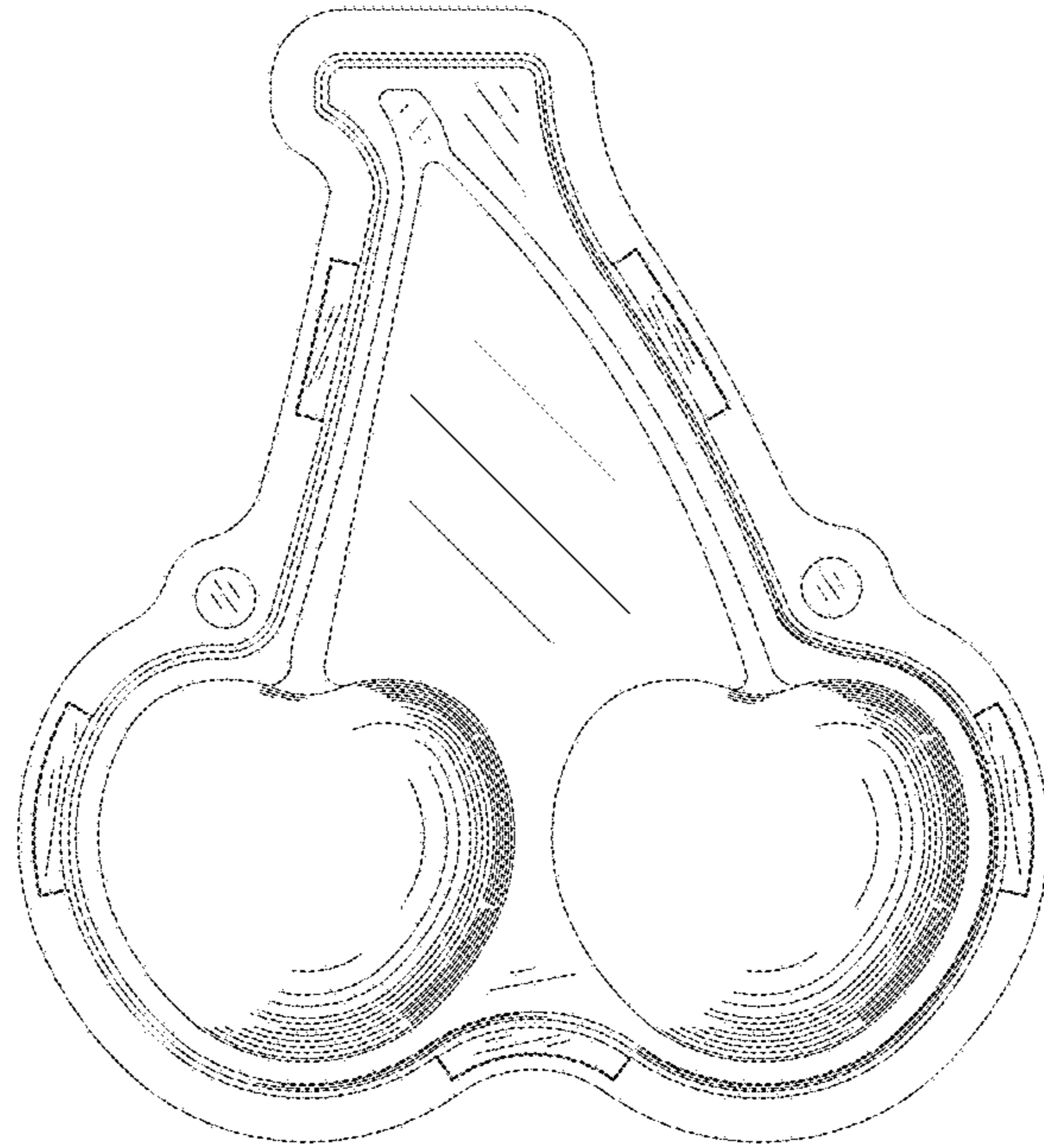


FIGURE 4

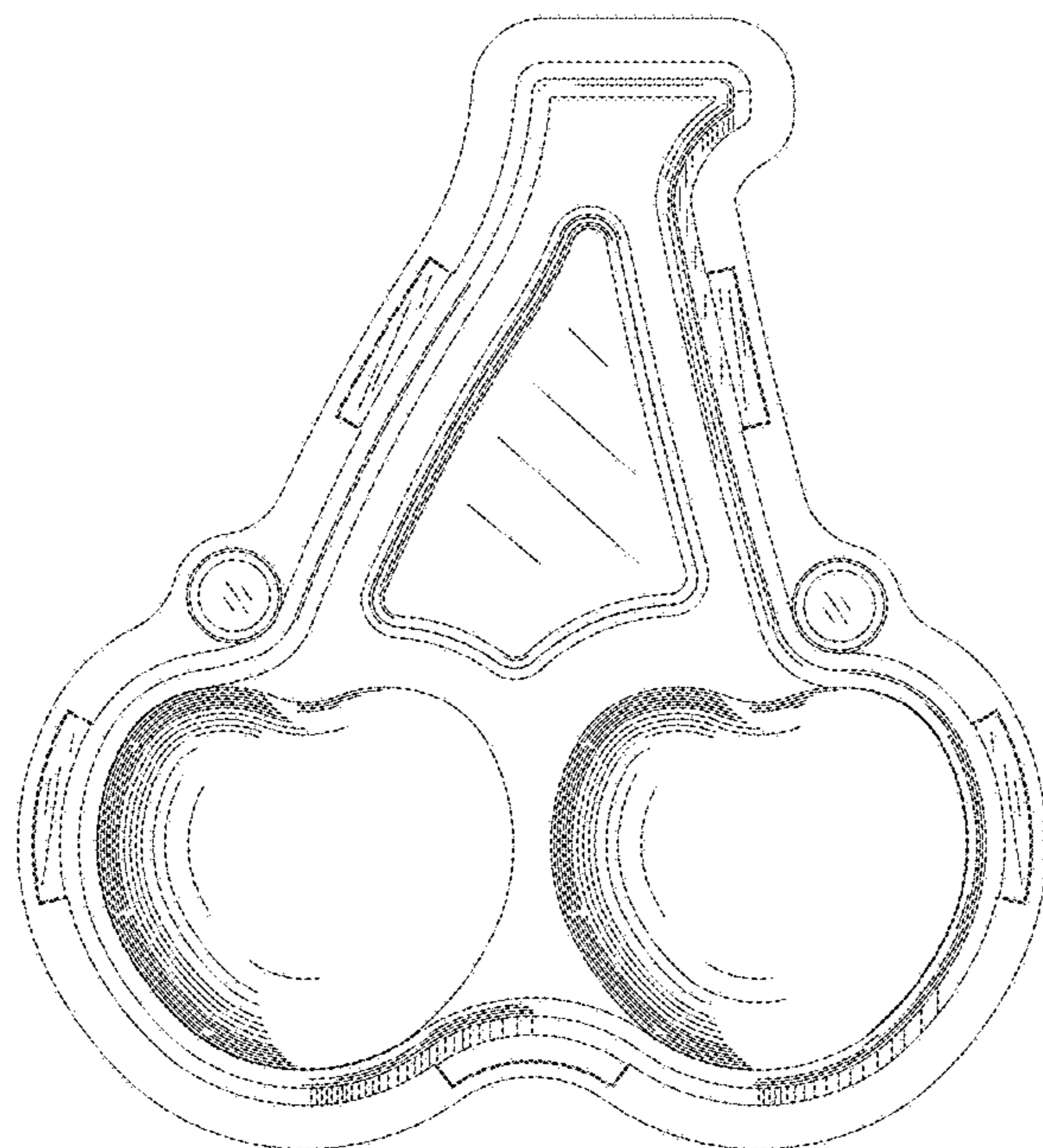


FIGURE 5

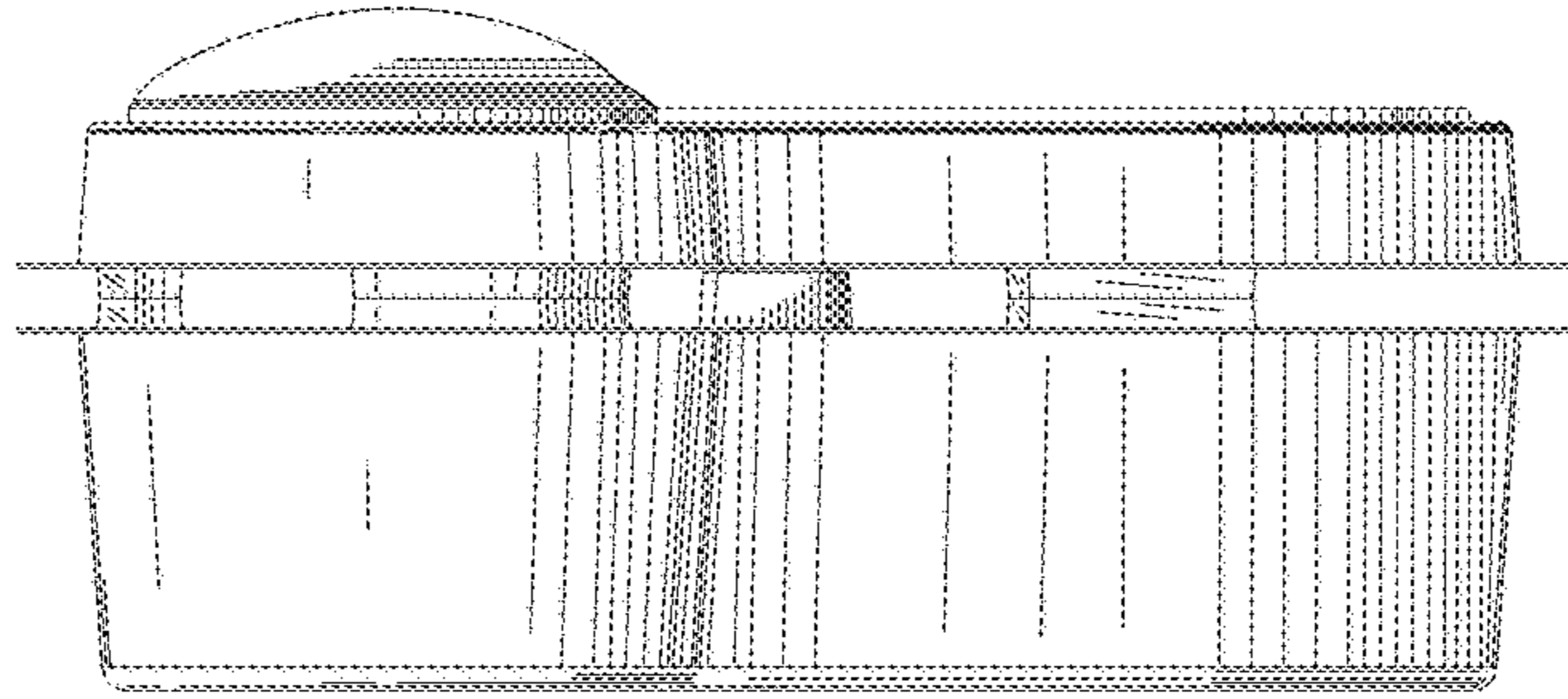


FIGURE 6

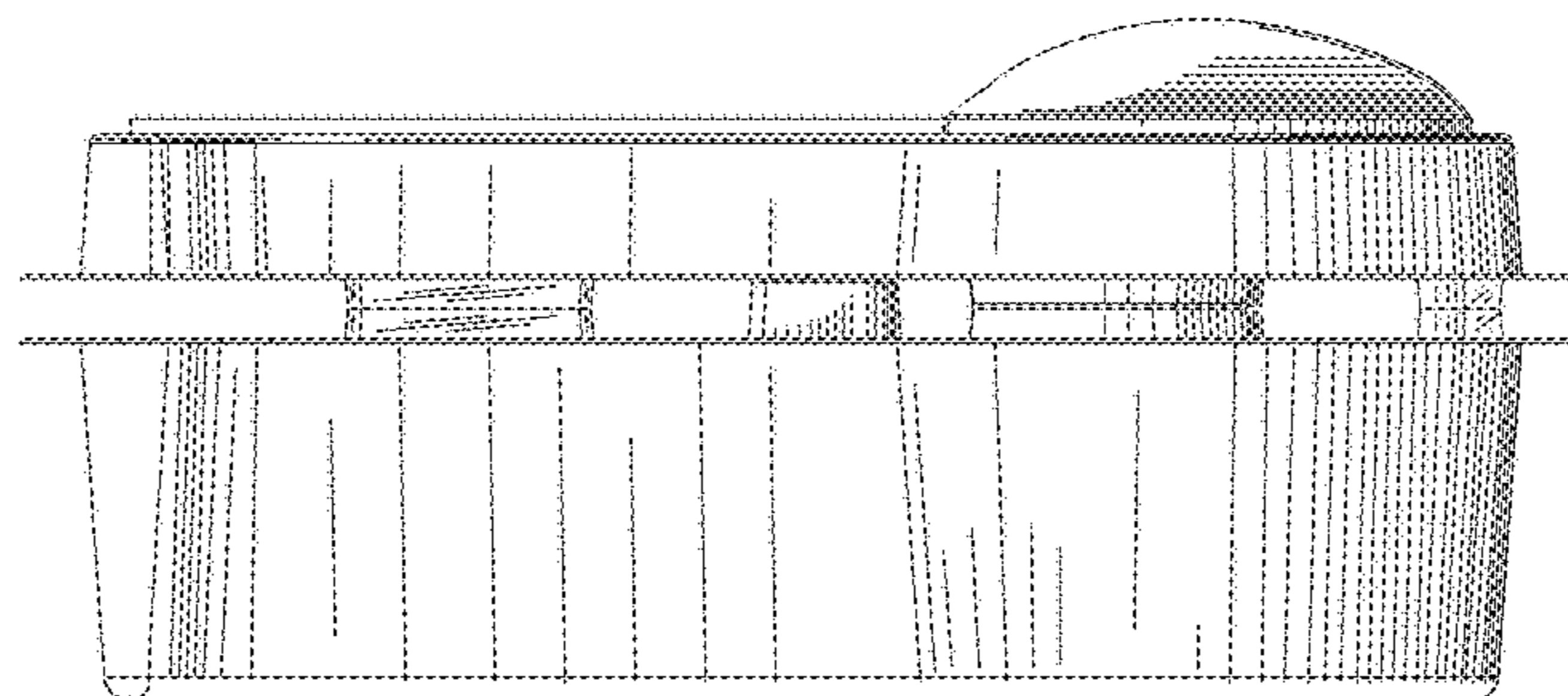


FIGURE 7

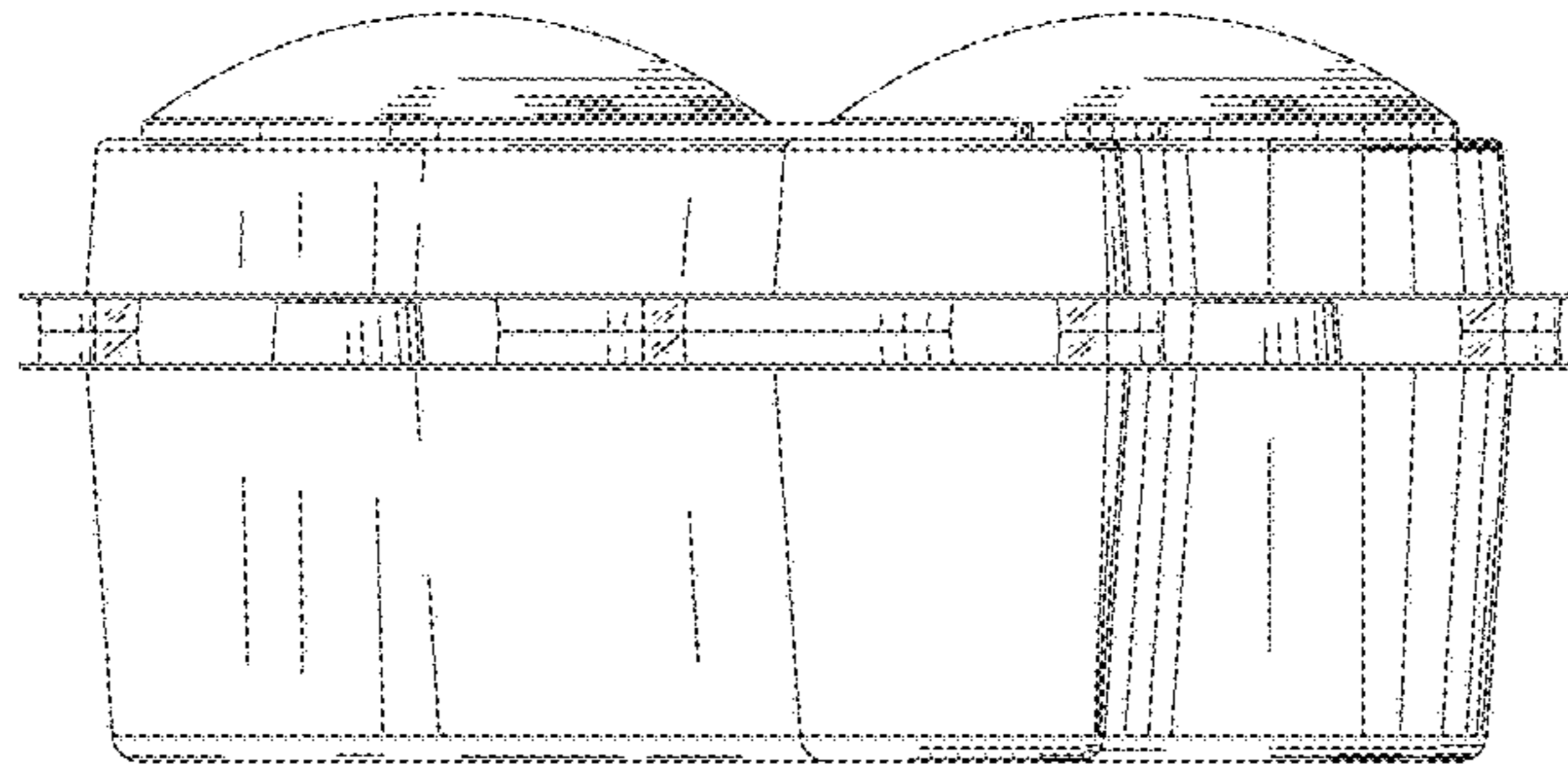


FIGURE 8

