

US00D825347S

(12) **United States Design Patent** (10) **Patent No.:** **US D825,347 S**  
**Caly** (45) **Date of Patent:** **\*\* \*Aug. 14, 2018**

- (54) **CHERRY-SHAPED CONTAINER**
- (71) Applicant: **VACO PAK INDUSTRIES LTD.,**  
Yahud (IL)
- (72) Inventor: **Roy Caly, Kibbutz Yakum (IL)**
- (73) Assignee: **VACO PAK INDUSTRIES LTD.,**  
Yahud (IL)
- (\*) Notice: This patent is subject to a terminal disclaimer.
- (\*\*) Term: **15 Years**
- (21) Appl. No.: **29/599,849**
- (22) Filed: **Apr. 7, 2017**
- (51) **LOC (11) Cl.** ..... **09-01**
- (52) **U.S. Cl.**  
USPC ..... **D9/645**
- (58) **Field of Classification Search**  
USPC ..... D3/270, 271.1-271.4; D7/509-511,  
D7/514-521, 576-577, 594, 599, 604,  
D7/613, 619.2, 623, 628; D9/600,  
D9/643-647, 500-516, 523, 529,  
D9/544-547, 414-434; 206/457, 459.5,  
206/527; 215/381-384, 400  
CPC .... B65D 5/4258; B65D 81/60; B65D 81/365;  
B65D 81/366; B65D 81/368; B65D  
2203/00; B65D 2203/02; B65D 85/34  
See application file for complete search history.

- D233,413 S \* 10/1974 Pietsch ..... D9/646
- D326,145 S \* 5/1992 Borakove ..... D9/451
- D356,372 S \* 3/1995 El-Assir ..... D11/67
- D565,163 S \* 3/2008 De Haan ..... D23/366
- D622,609 S \* 8/2010 Partin ..... D9/645
- D625,196 S \* 10/2010 Partin ..... D9/645

**OTHER PUBLICATIONS**

Cherry Lip Balm, dated Apr. 4, 2011. <http://www.musingsofamuse.com/2011/04/tony-cooly-mini-berry-lip-balm-review-swatches-photos.html>.\*

\* cited by examiner

*Primary Examiner* — Sandra L Morris  
(74) *Attorney, Agent, or Firm* — Roach Brown McCarthy & Grubar, P.C.; Kevin D. McCarthy

(57) **CLAIM**

The ornamental design for a cherry-shaped container, as shown and described.

**DESCRIPTION**

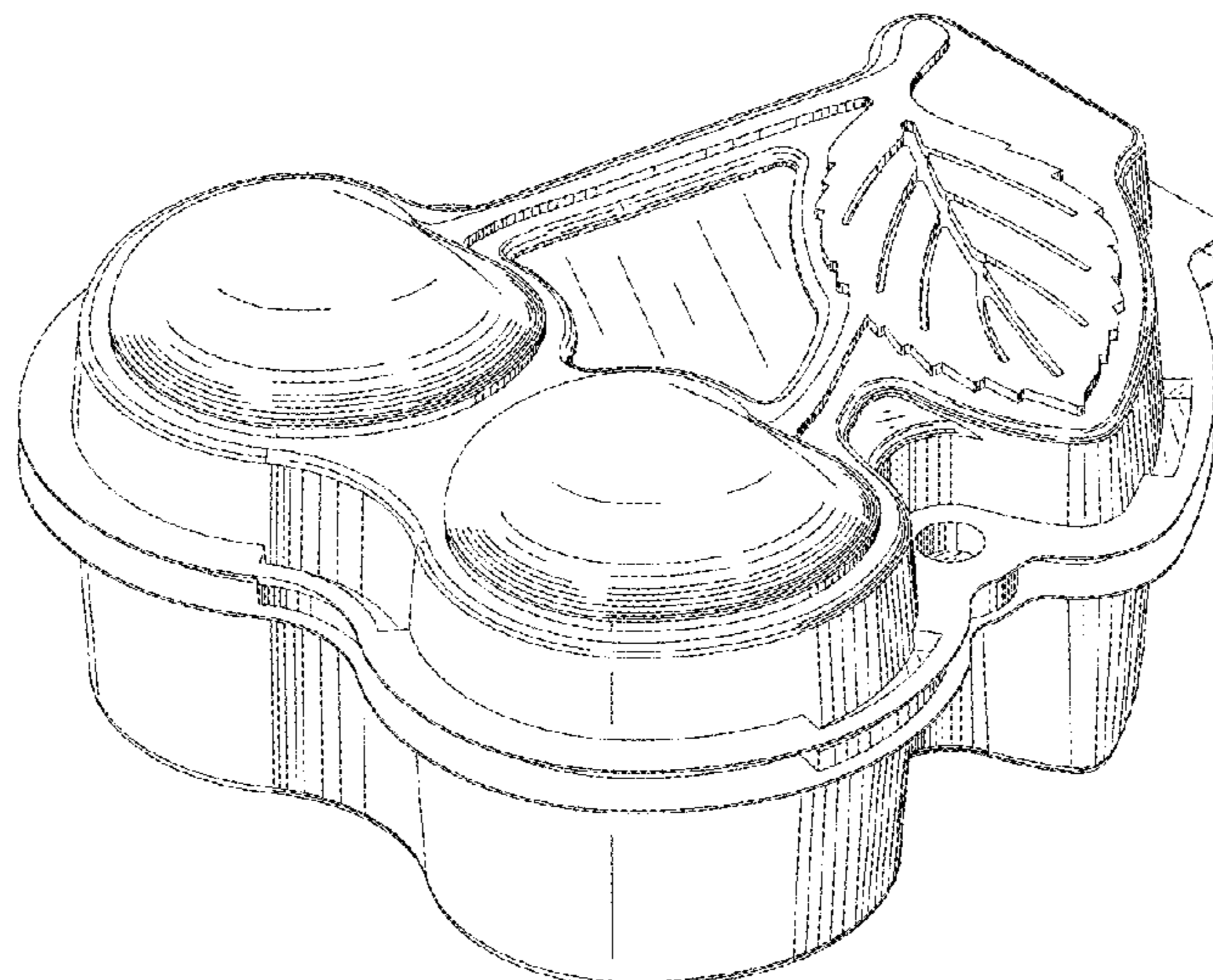
FIG. 1 is an isometric view of a cherry-shaped container of the applicant's design;  
FIG. 2 is a view of FIG. 1 with the top section flipped open thereof;  
FIG. 3 is a top view of FIG. 1;  
FIG. 4 is a bottom view of FIG. 1;  
FIG. 5 is a front view of FIG. 1;  
FIG. 6 is a back view of FIG. 1;  
FIG. 7 is a right side view of FIG. 1; and,  
FIG. 8 is a left side view of FIG. 1.

**1 Claim, 4 Drawing Sheets**

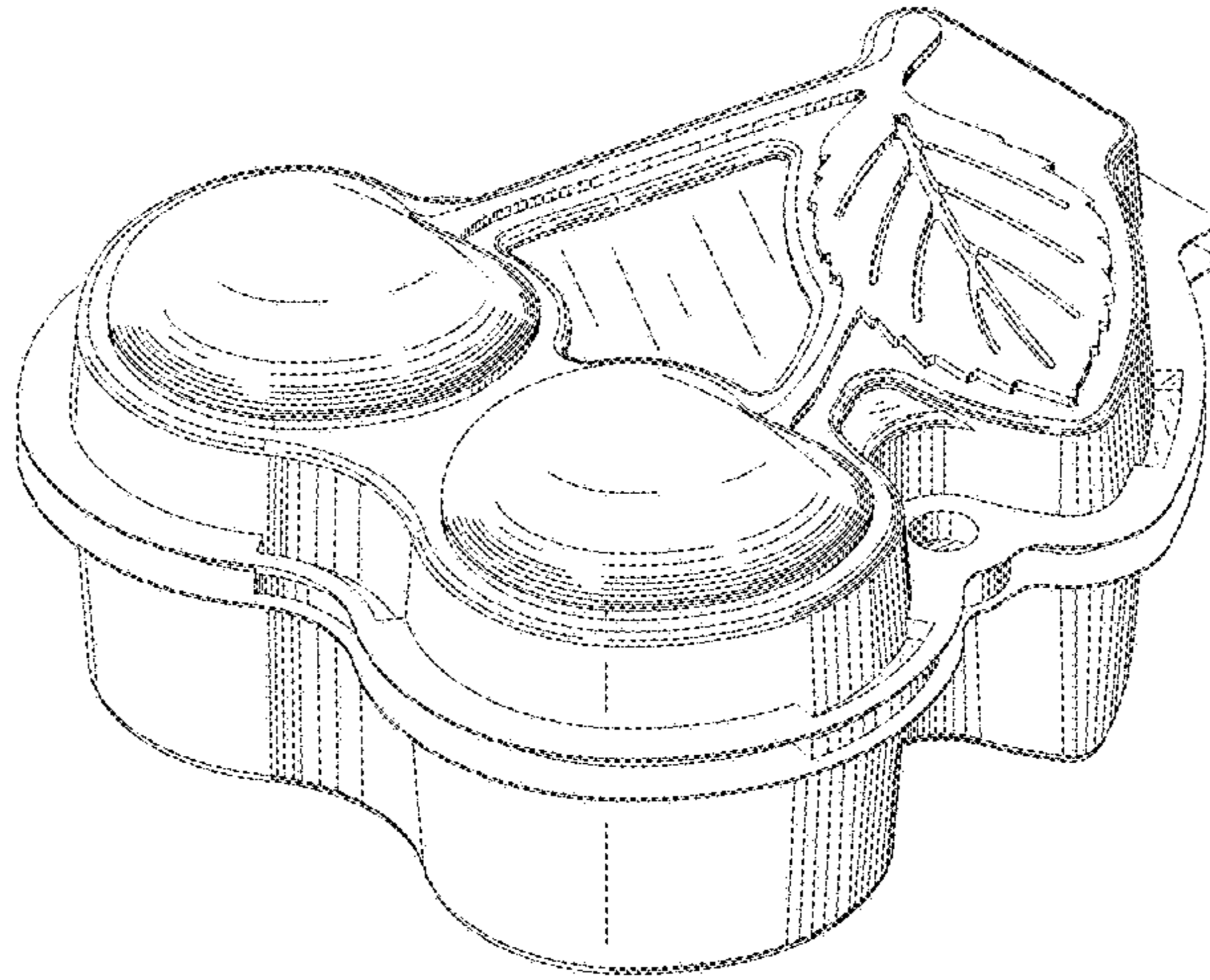
(56) **References Cited**

**U.S. PATENT DOCUMENTS**

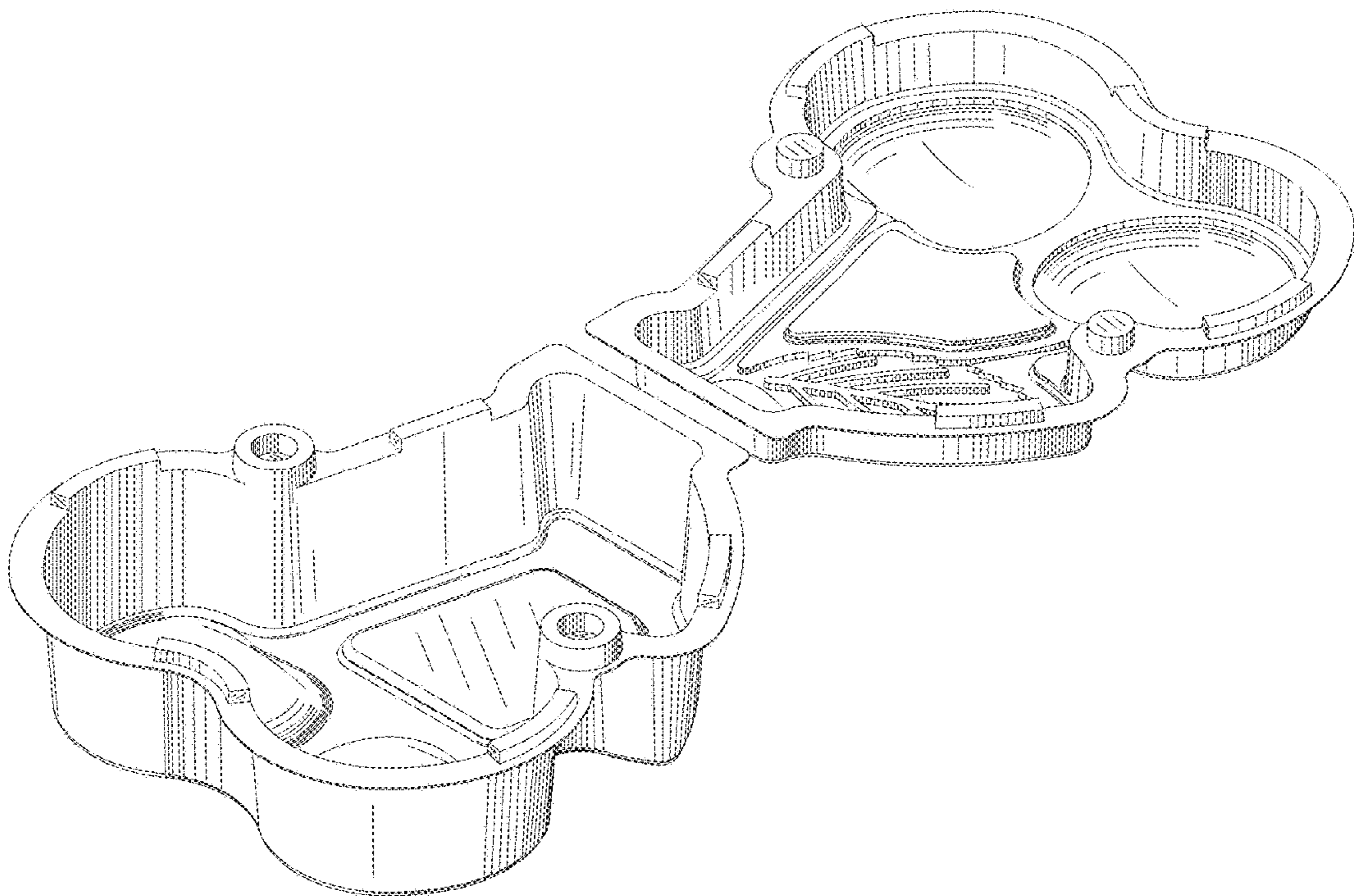
- D65,535 S \* 9/1924 Mas ..... D9/646
- D211,450 S \* 6/1968 Caine ..... D7/641



**FIGURE 1**

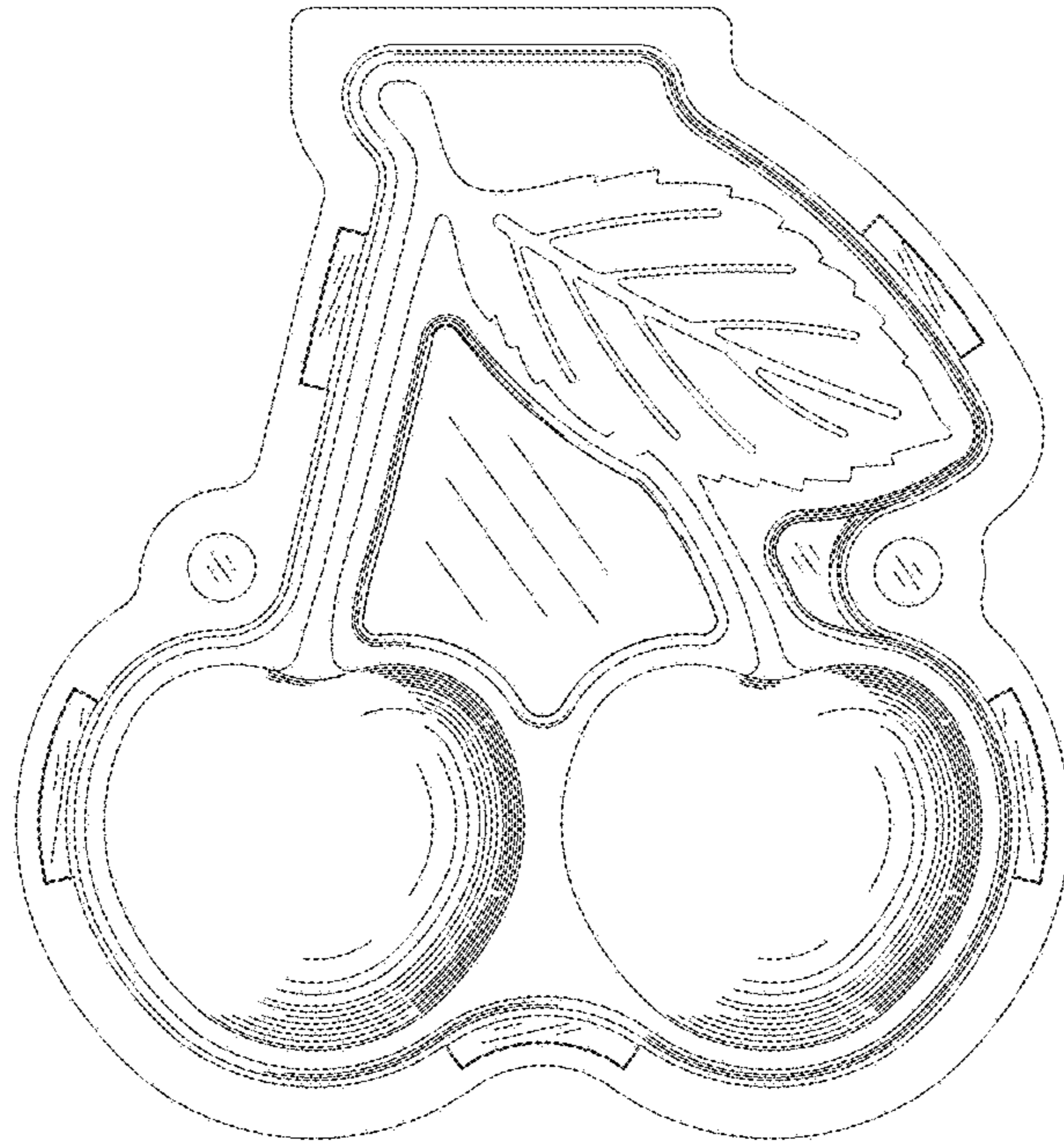


**FIGURE 2**

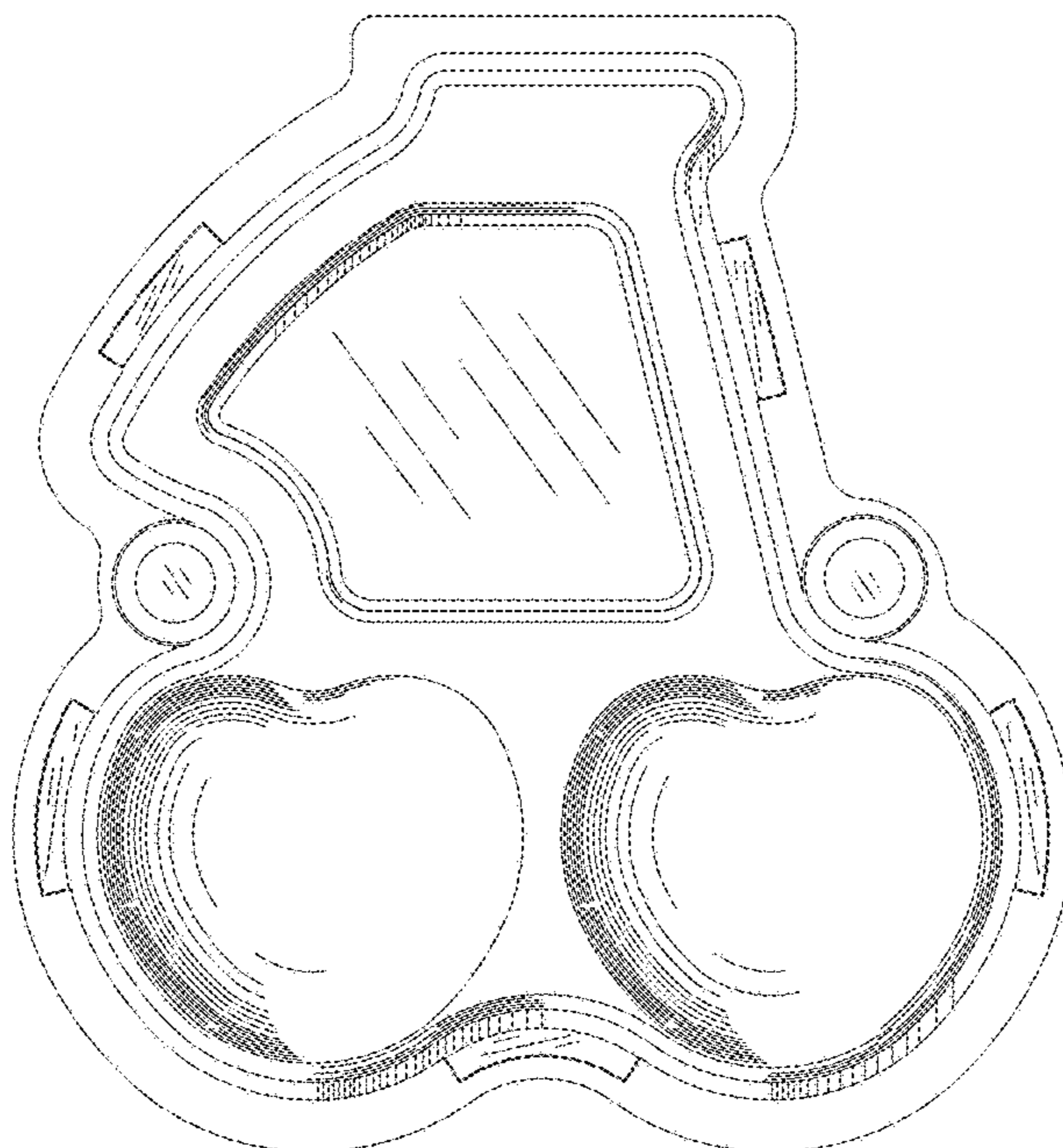




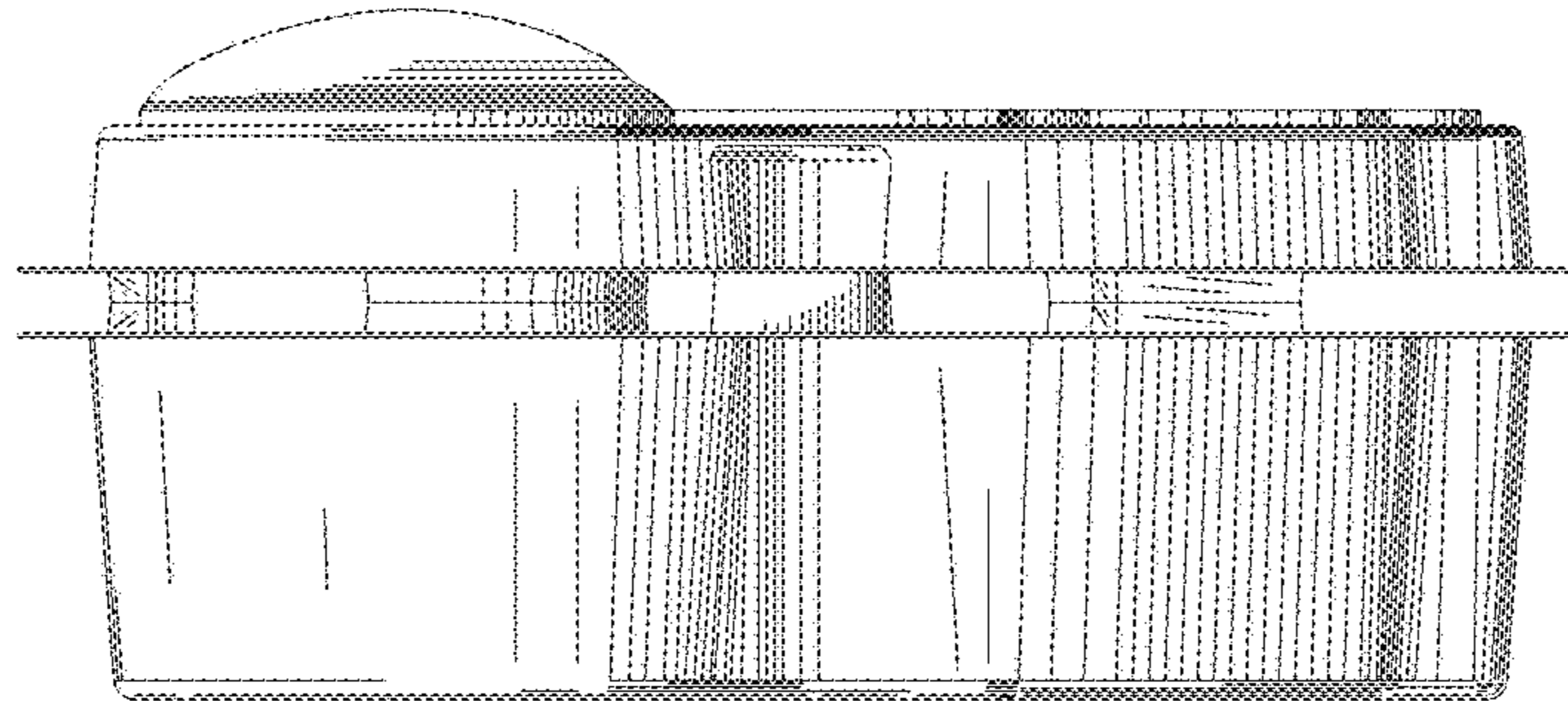
**FIGURE 3**



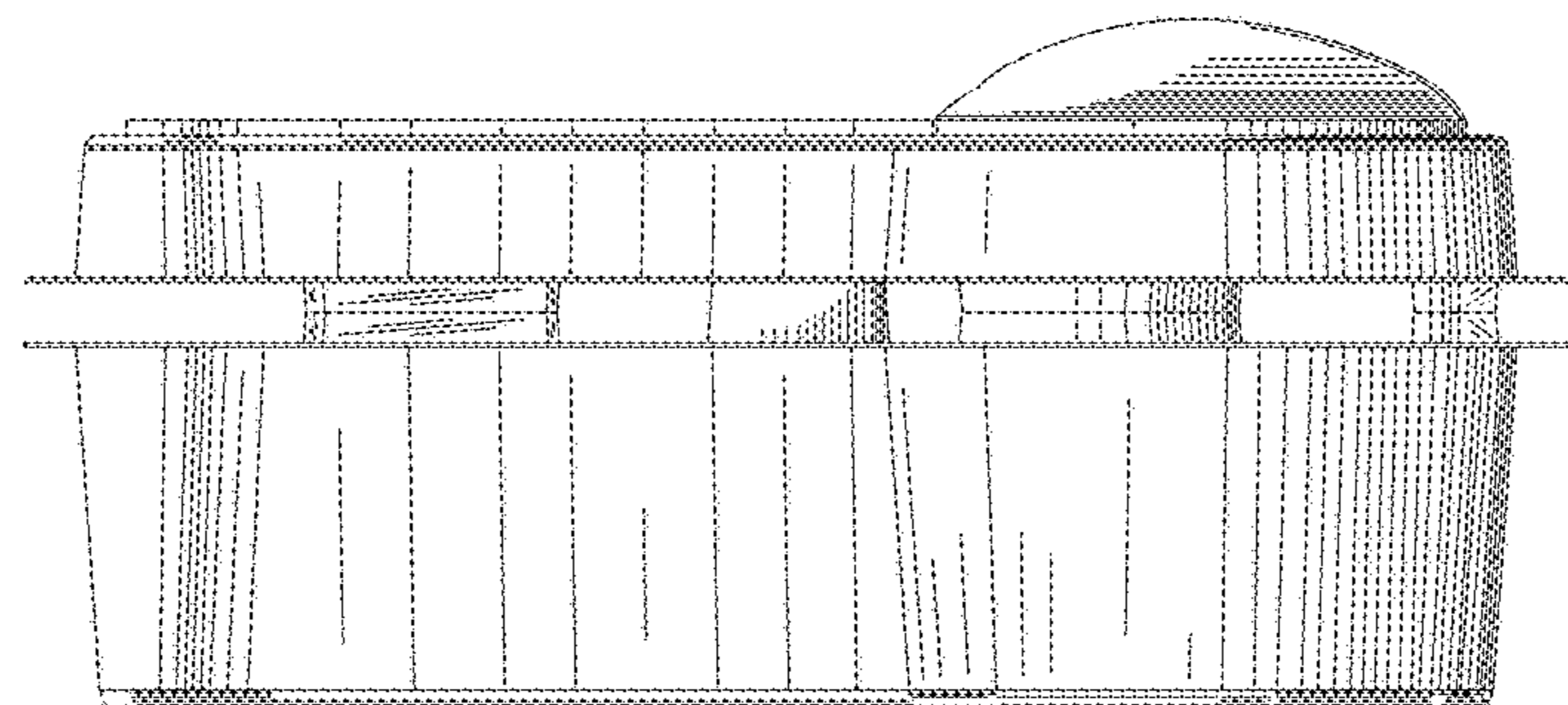
**FIGURE 4**



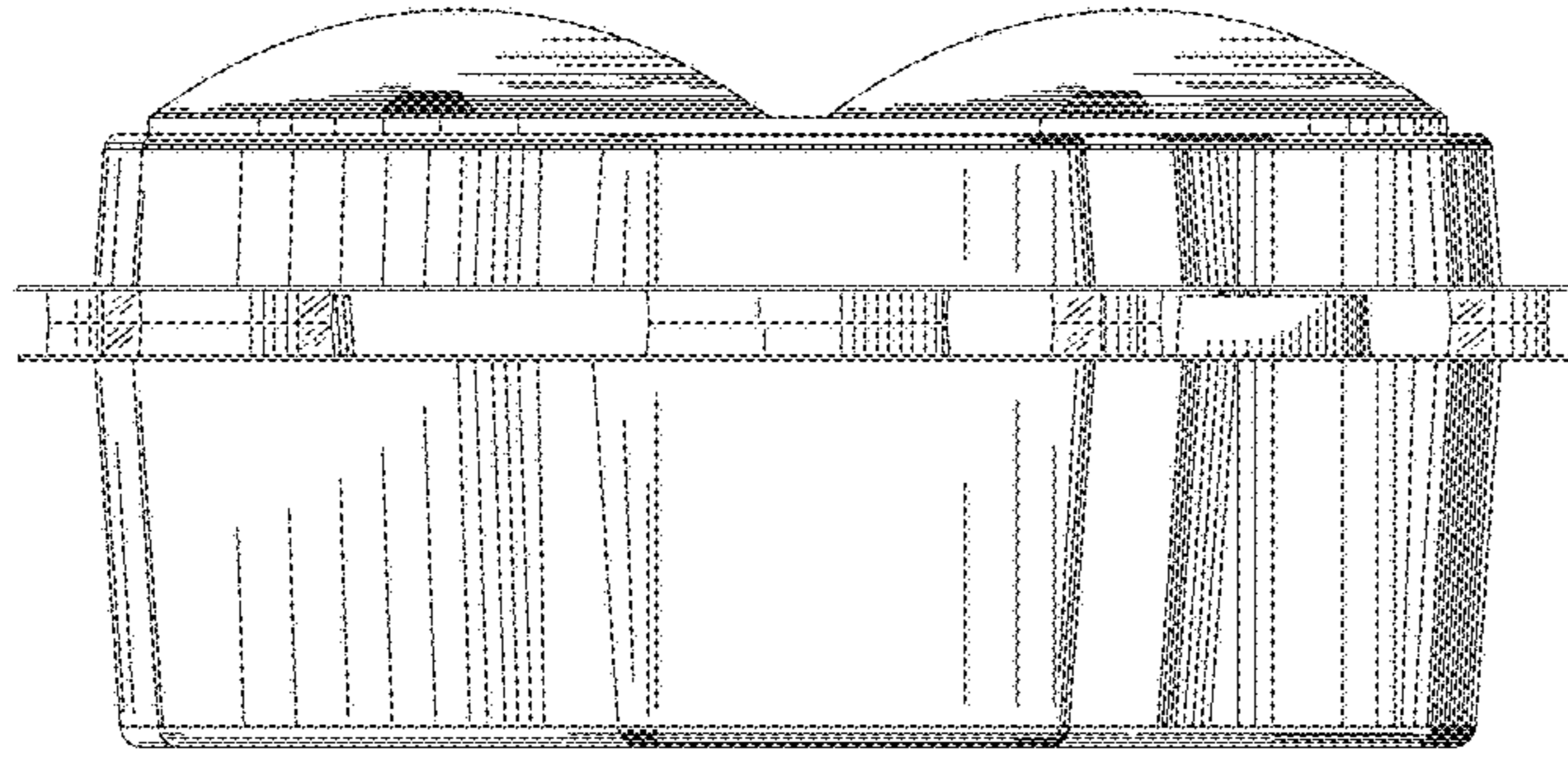
**FIGURE 5**



**FIGURE 6**



**FIGURE 7**



**FIGURE 8**

