



US00D825345S

(12) **United States Design Patent**
Caly

(10) **Patent No.:** **US D825,345 S**

(45) **Date of Patent:** **** Aug. 14, 2018**

(54) **MUSHROOM-SHAPED CONTAINER**

D246,954 S *	1/1978	L'Europa	D9/504
D322,402 S *	12/1991	Budzbanowski	D9/428
D700,019 S *	2/2014	Kolano	D7/628
D790,355 S *	6/2017	Bae	D9/644

(71) Applicant: **VACO PAK INDUSTRIES LTD.**,
Yahud (IL)

(72) Inventor: **Roy Caly**, Kibbutz Yakum (IL)

(73) Assignee: **VACO PAK INDUSTRIES LTD.**,
Yahud (IL)

(**) Term: **15 Years**

(21) Appl. No.: **29/599,926**

(22) Filed: **Apr. 7, 2017**

(51) **LOC (11) Cl.** **09-01**

(52) **U.S. Cl.**
USPC **D9/643**; D9/426

(58) **Field of Classification Search**
USPC D3/270, 271.1-271.4; D7/509-511,
D7/514-521, 576-577, 594, 599, 604,
D7/613, 619.2, 623, 628, 392.1; D9/600,
D9/643-647, 500-516, 523, 529,
D9/544-547, 414-434; 206/457, 459.5,
206/527; 215/381-384, 400
CPC B65D 5/4258; B65D 81/60; B65D 81/365;
B65D 81/366; B65D 81/368; B65D
2203/00; B65D 2203/02; B65D 85/34
See application file for complete search history.

(56) **References Cited**

U.S. PATENT DOCUMENTS

D229,737 S *	1/1974	Taylor	D9/441
D232,180 S *	7/1974	Neuhierl	D21/415

OTHER PUBLICATIONS

Mushroom shaped container, dated Sep. 5, 2015. <https://ryanraroar.com/2015/09/05/new-launch-tonymoly-magic-mushroom/>.*

* cited by examiner

Primary Examiner — Sandra L Morris

(74) *Attorney, Agent, or Firm* — Roach Brown McCarthy & Gruber, P.C.; Kevin D. McCarthy

(57) **CLAIM**

The ornamental design for a mushroom-shaped container, as shown and described.

DESCRIPTION

FIG. 1 is an isometric view of a mushroom-shaped container of the applicant's design;
FIG. 2 is a view of FIG. 1 with the top section flipped open thereof;
FIG. 3 is a top view of FIG. 1;
FIG. 4 is a bottom view of FIG. 1;
FIG. 5 is a back view of FIG. 1;
FIG. 6 is a front view of FIG. 1;
FIG. 7 is a right side view of FIG. 1; and,
FIG. 8 is a left side view of FIG. 1.
The broken lines in FIGS. 2 and 4 are included for the purpose of illustrating a portion of the bottom that forms no part of the claimed design.

1 Claim, 4 Drawing Sheets

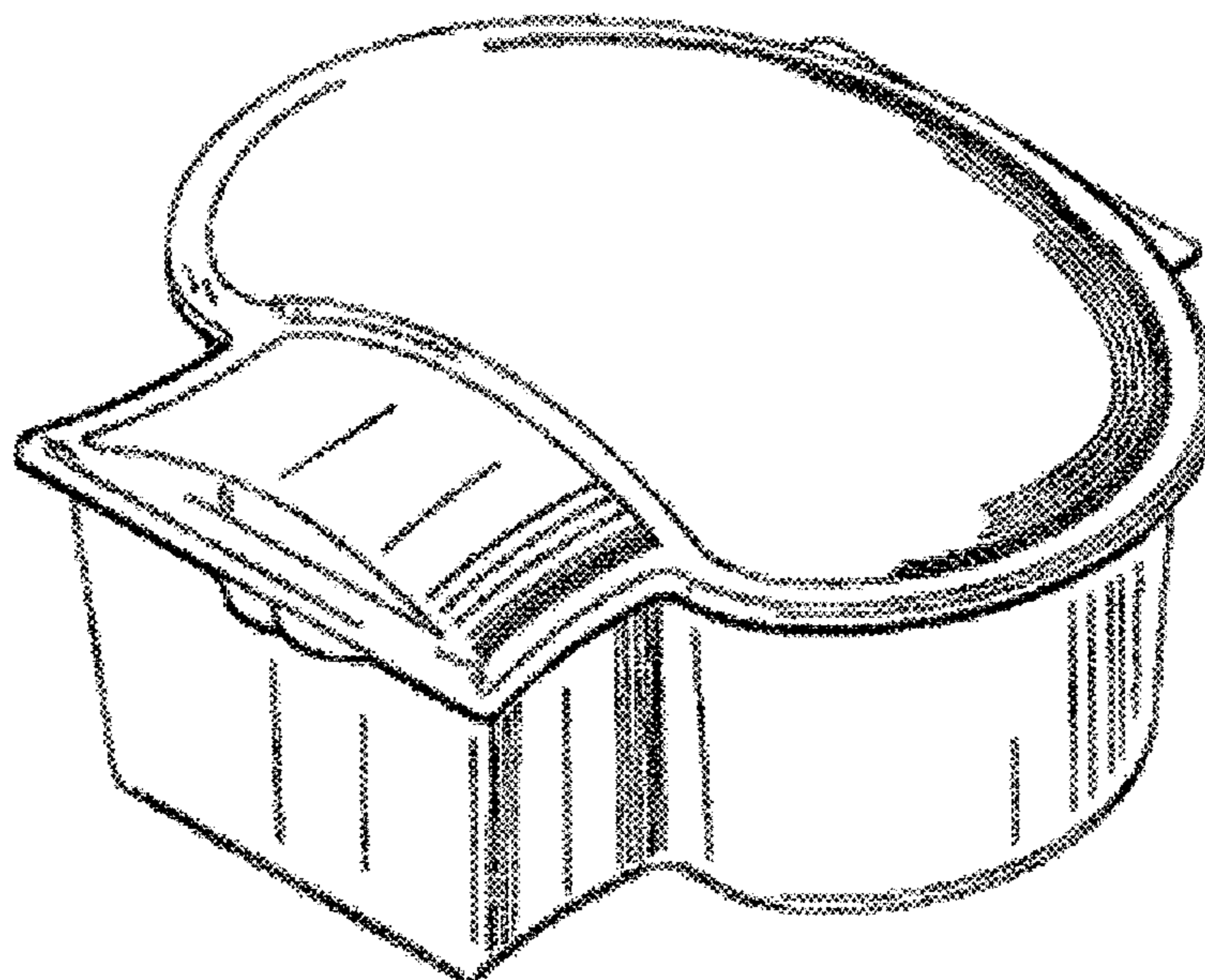


FIGURE 1

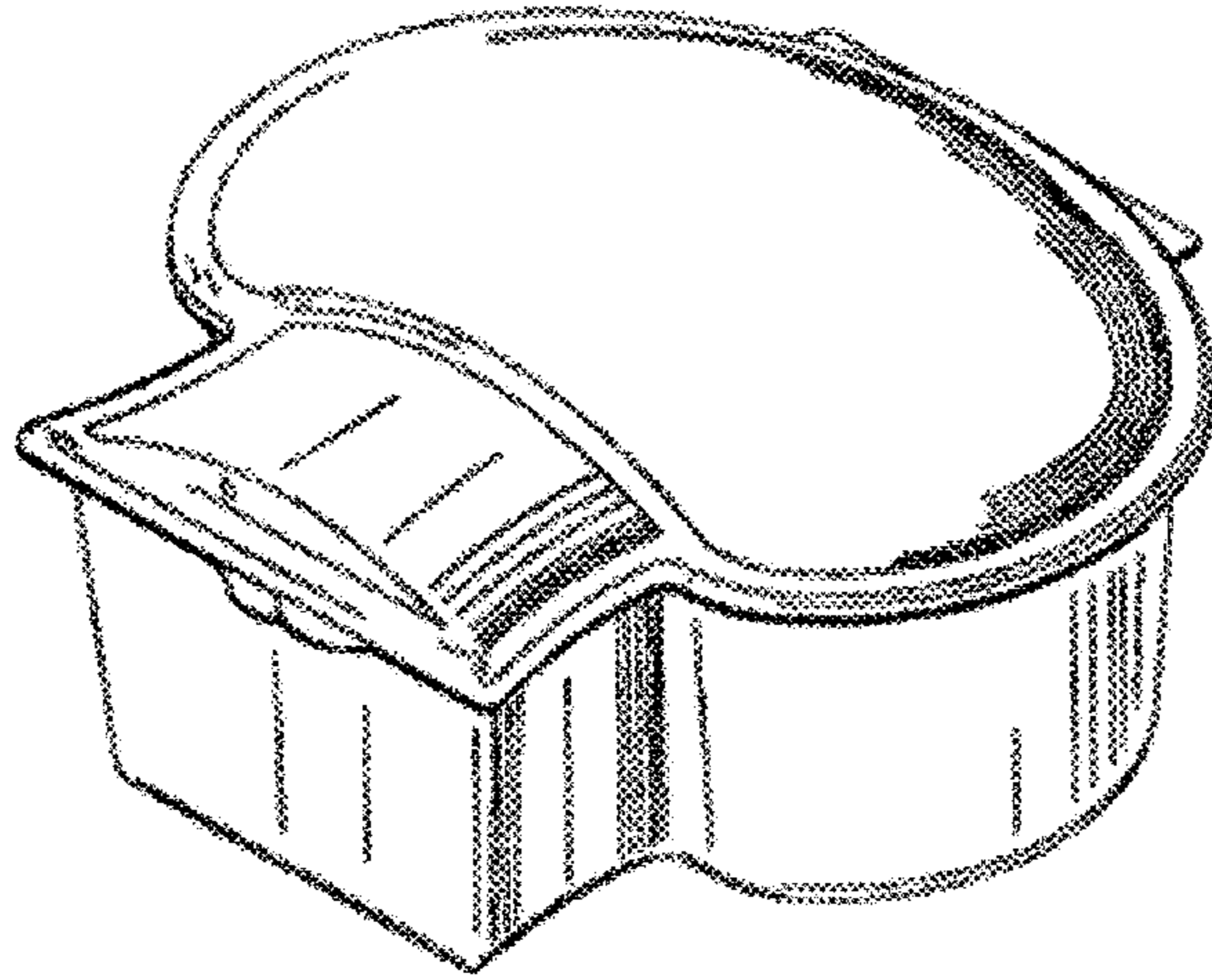


FIGURE 2

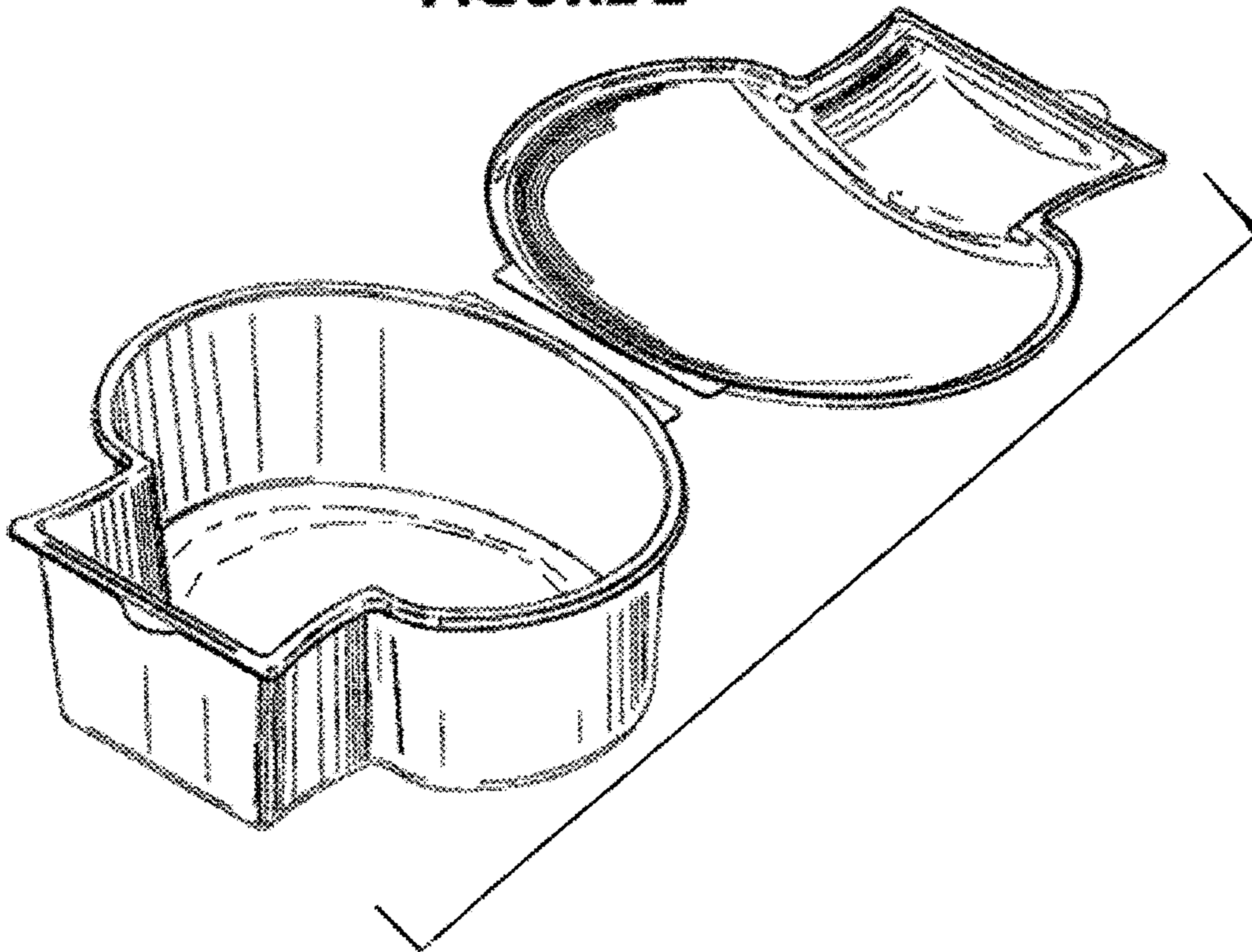


FIGURE 3

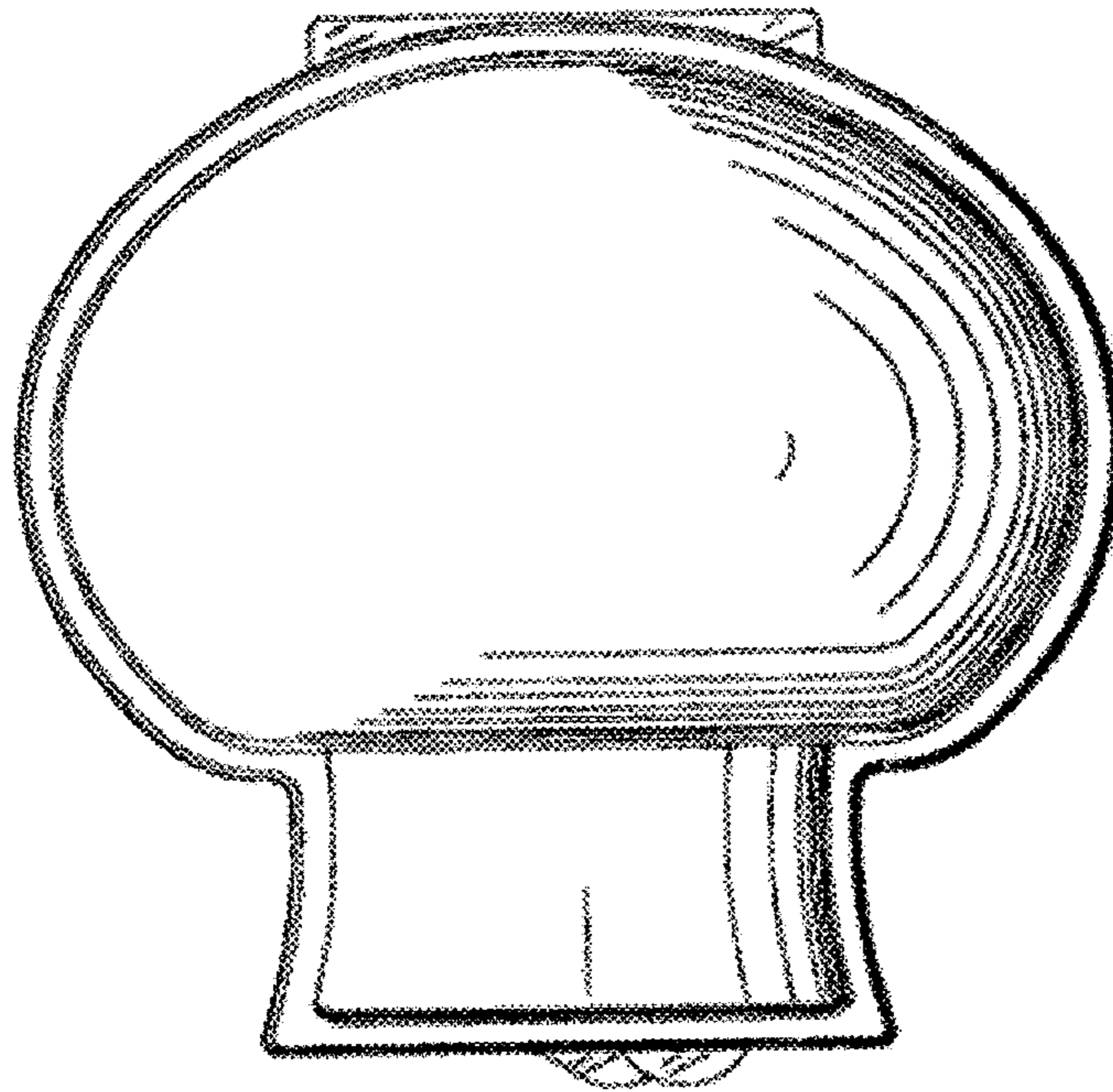


FIGURE 4

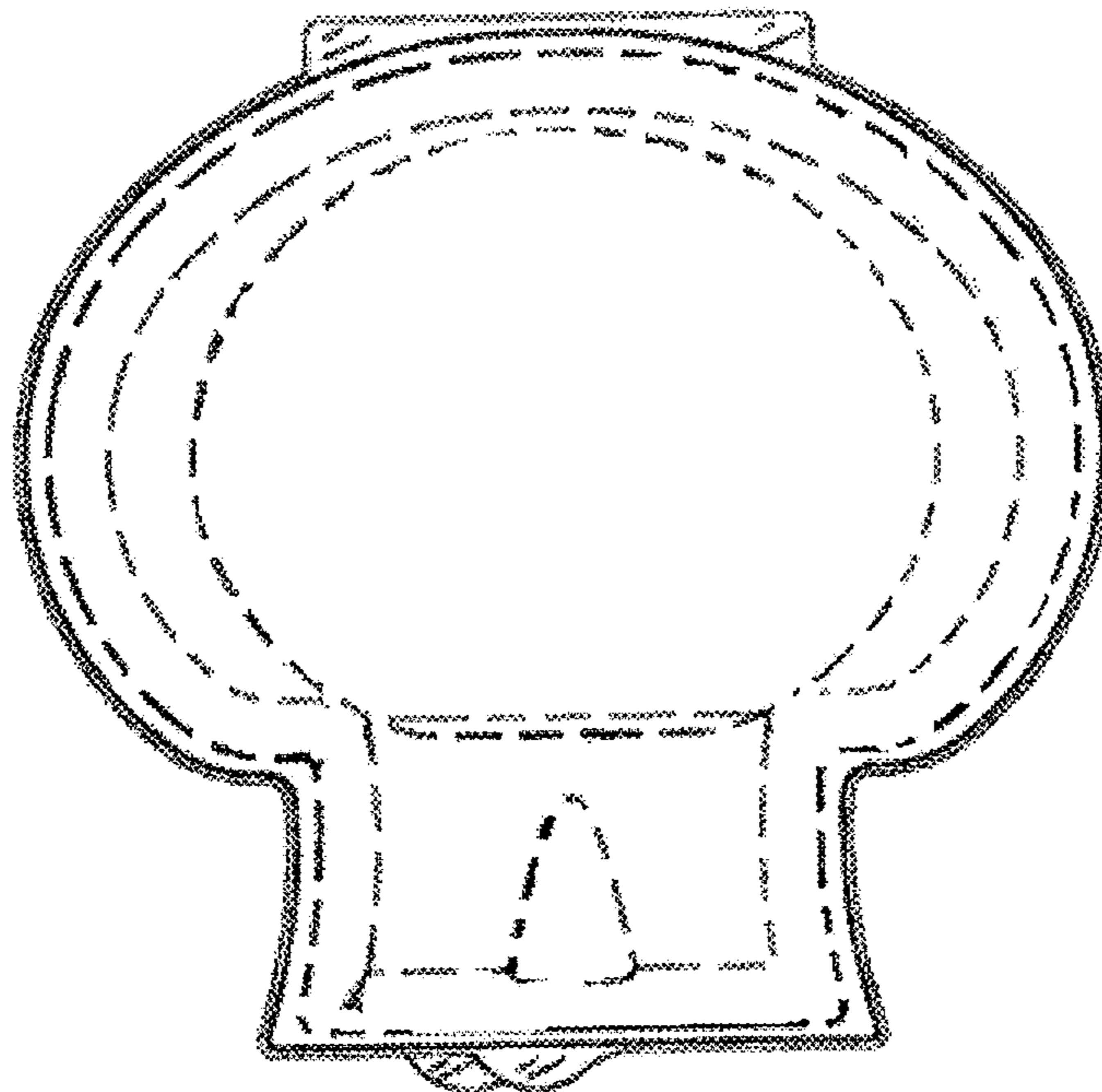


FIGURE 5

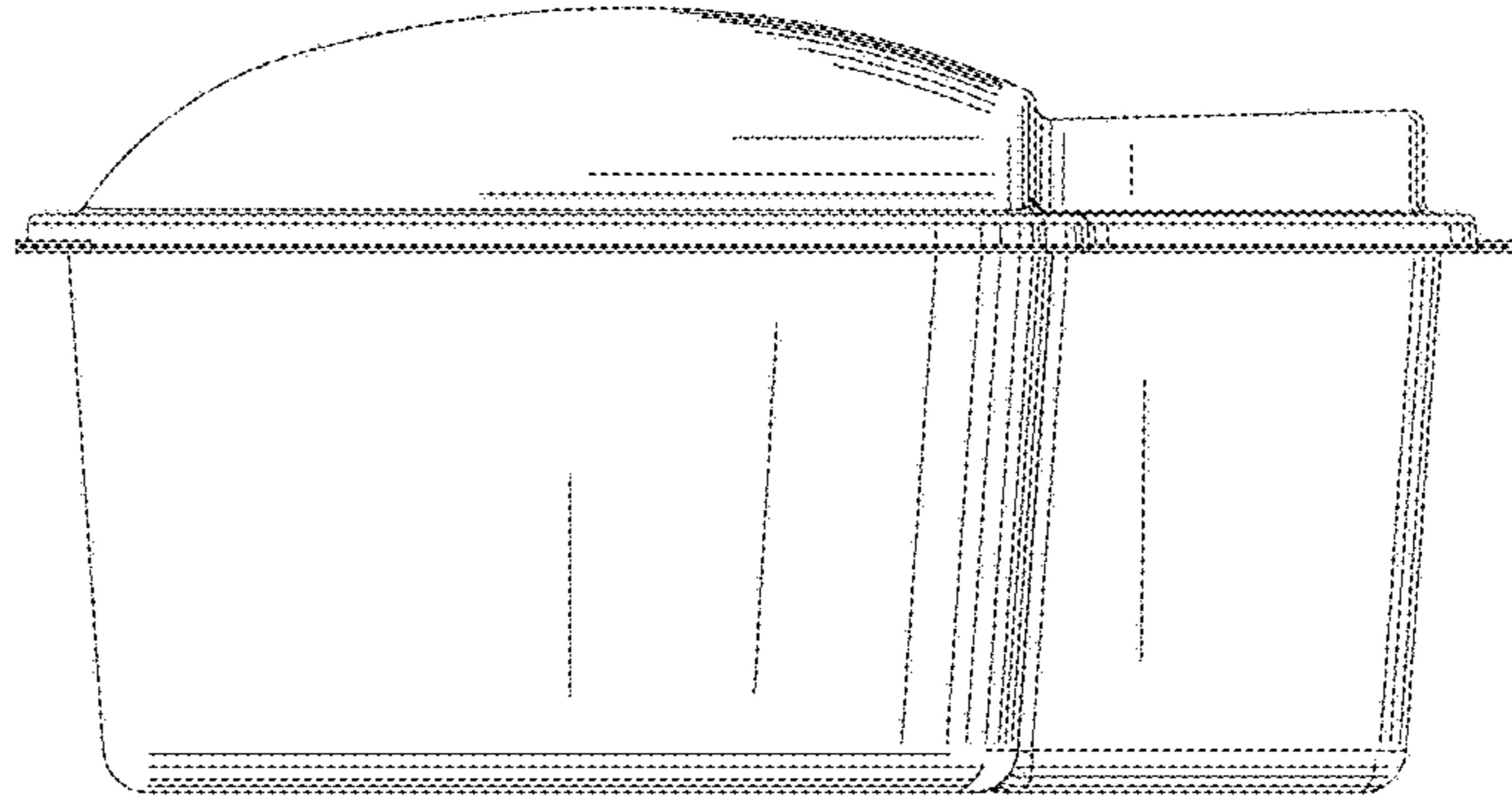


FIGURE 6

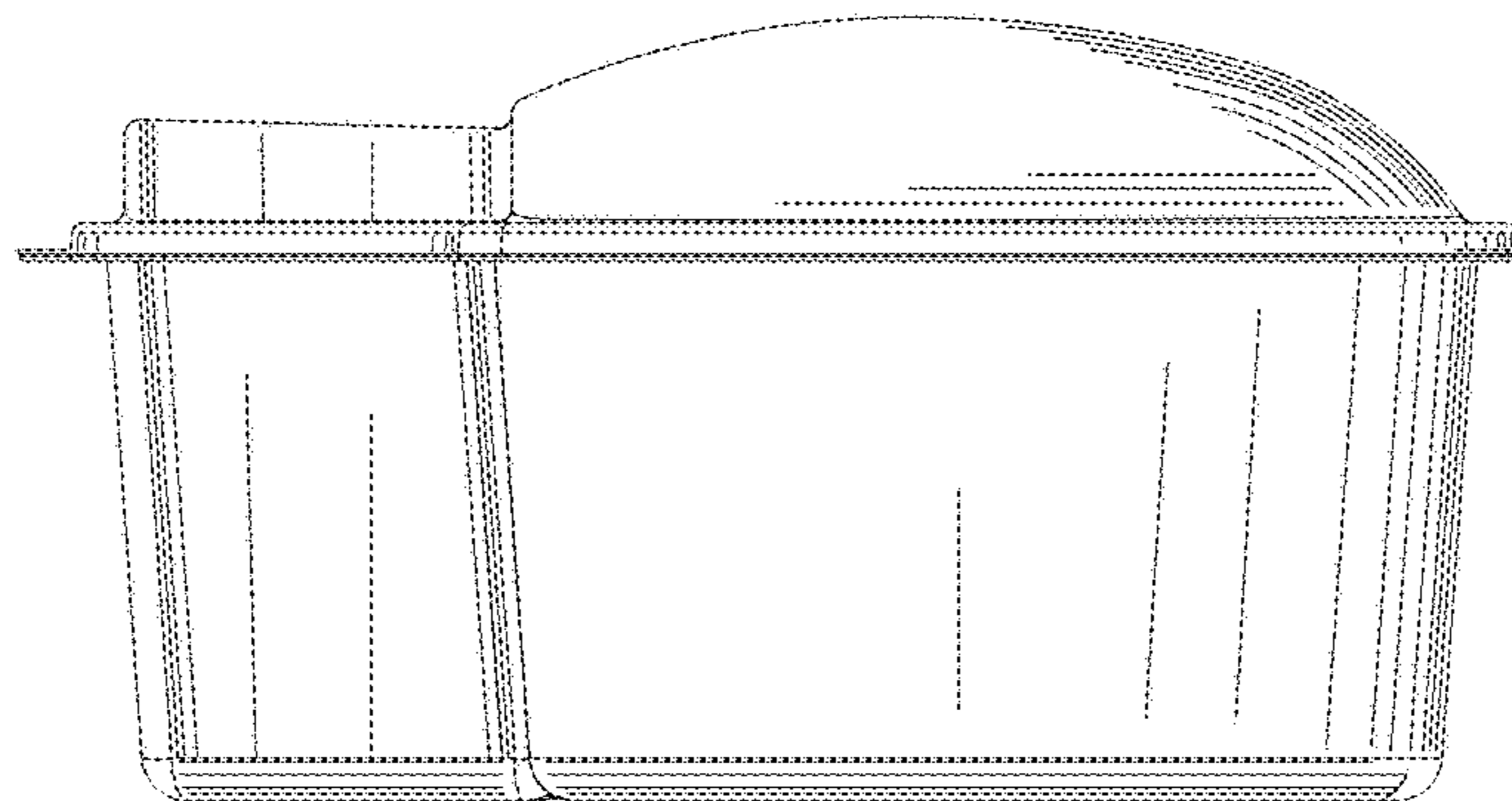


FIGURE 7

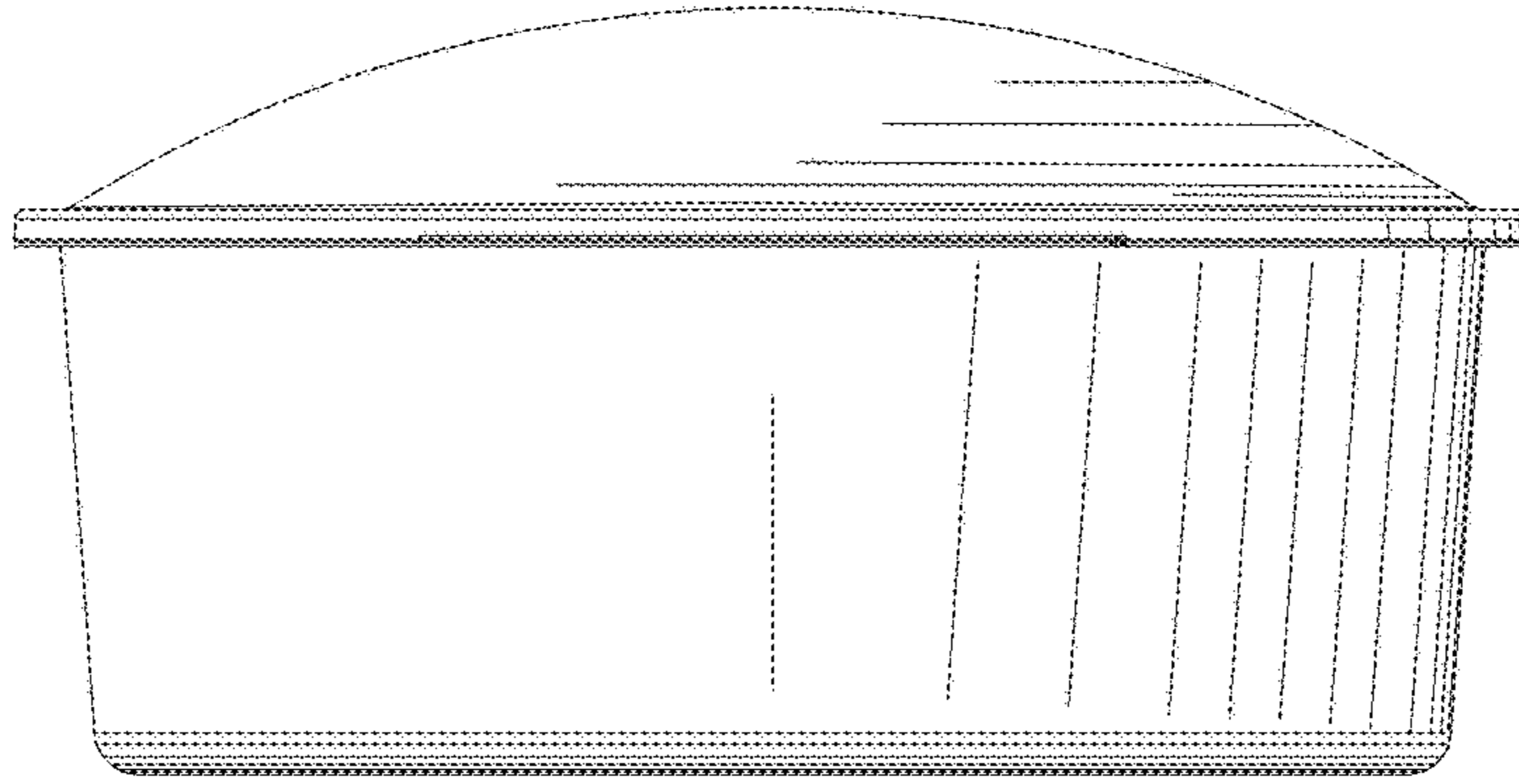


FIGURE 8

