



US00D825341S

(12) **United States Design Patent**
Staab et al.

(10) **Patent No.:** **US D825,341 S**
(45) **Date of Patent:** **** Aug. 14, 2018**

(54) **BOTTLE**

(71) Applicant: **Mary Kay Inc.**, Addison, TX (US)

(72) Inventors: **Jenny DeMarco Staab**, Frisco, TX (US); **Tammy Schriewer**, Addison, TX (US)

(73) Assignee: **Mary Kay Inc.**, Addison, TX (US)

(**) Term: **15 Years**

(21) Appl. No.: **29/605,730**

(22) Filed: **May 30, 2017**

(51) **LOC (11) Cl.** **09-01**

(52) **U.S. Cl.**
USPC **D9/529**; D9/445; D9/574

(58) **Field of Classification Search**
USPC D9/434-435, 444-445, 516, 520, 529, D9/573-574, 682, 686-687, 694, 715, D9/719
CPC B65D 1/00; B65D 1/02; B65D 1/0223; B65D 23/00; B65D 81/00; B65D 2501/00; B65D 2501/0009; B65D 2501/0081
See application file for complete search history.

(56) **References Cited**

U.S. PATENT DOCUMENTS

D86,841 S *	4/1932	Joseph	D9/529
D207,511 S *	4/1967	Riodan	D9/529
D208,733 S *	9/1967	Straka	D9/529
D223,602 S *	5/1972	Hoffman	D9/525
D252,739 S *	8/1979	Grodin	D9/529
D305,617 S *	1/1990	Hayman	D9/529
D306,693 S *	3/1990	Beier-Rosetti	D9/529
D315,296 S *	3/1991	De Giovellina	D9/454
D330,218 S *	10/1992	Kimura	D19/66

D412,851 S *	8/1999	Nosella	D9/544
D413,796 S *	9/1999	Mansau	D3/243
D428,578 S *	7/2000	Waitzenegger	D9/544
D430,804 S *	9/2000	Bulsink	D9/540
D582,777 S *	12/2008	Mansau	D9/529
D621,268 S *	8/2010	Morabito	D9/529
D626,003 S *	10/2010	Pless	D9/520
D631,751 S *	2/2011	Fox	D9/520
D669,360 S *	10/2012	Kuzma	D9/574
D727,741 S *	4/2015	Handy	D9/520
D740,121 S *	10/2015	Wagner et al.	D9/500
D755,057 S *	5/2016	Mutter	D9/529
D798,159 S *	9/2017	Shaw	D9/439

FOREIGN PATENT DOCUMENTS

CN	303463788	11/2015
CN	303475993	12/2015
CN	303488921	12/2015
KR	3020020011391	9/2002
KR	3020050032100	12/2006

* cited by examiner

Primary Examiner — Dana L Meyrow

(74) *Attorney, Agent, or Firm* — Norton Rose Fulbright US LLP

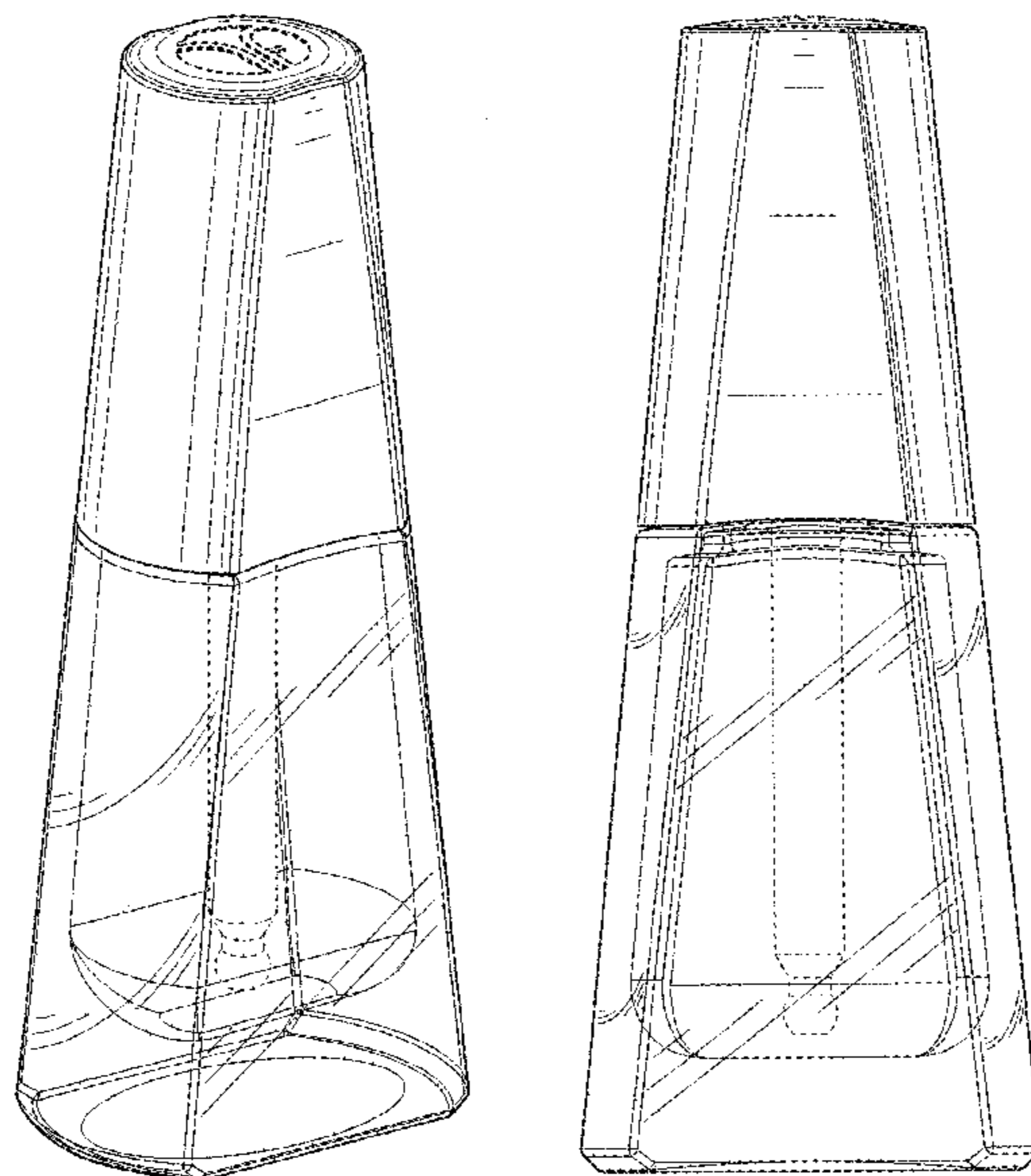
(57) **CLAIM**

The ornamental design for a bottle, as shown and described.

DESCRIPTION

FIG. 1 is a top perspective view of a bottle; FIG. 2 is a front view of the bottle shown in FIG. 1; FIG. 3 is a back view of the bottle shown in FIG. 1; FIG. 4 is a right side view of the bottle shown in FIG. 1; FIG. 5 is a left side view of the bottle of FIG. 1; and, FIG. 6 is a top view of the bottle of FIG. 1. The broken lines in FIGS. 1-6 illustrate the portions of the bottle that form no part of the claim.

1 Claim, 6 Drawing Sheets



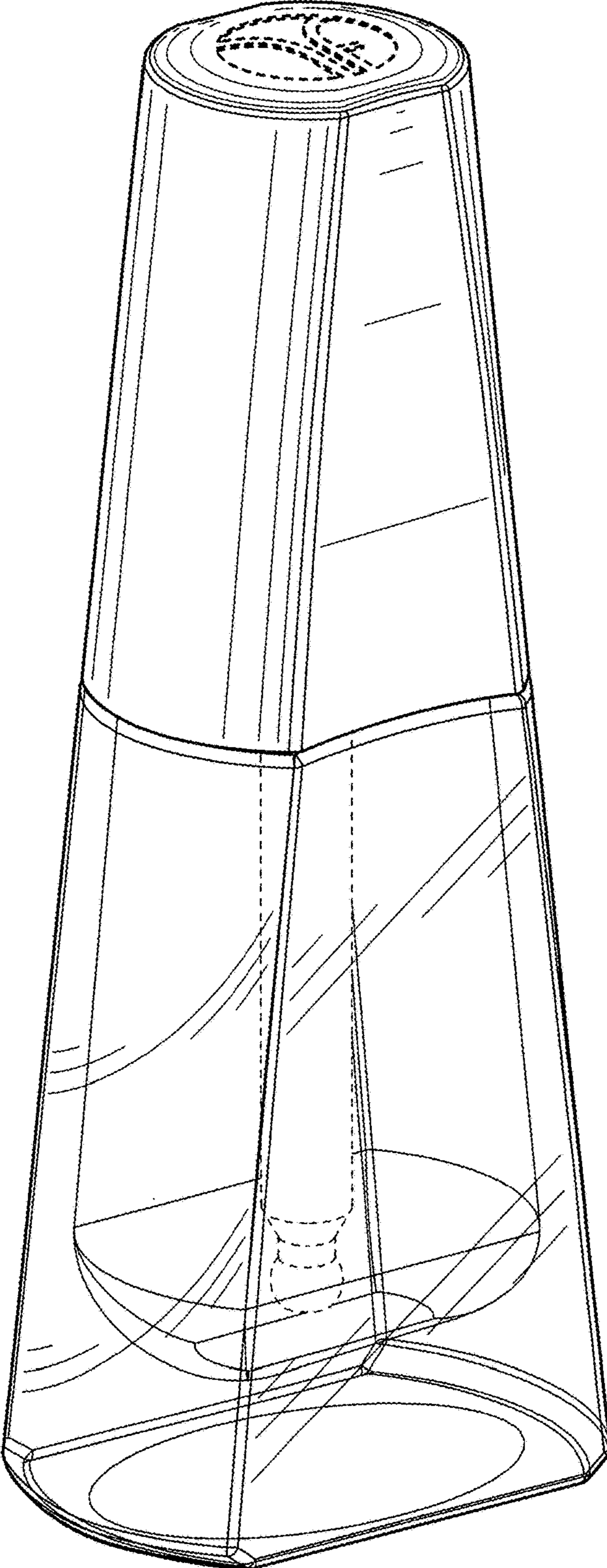


FIG. 1

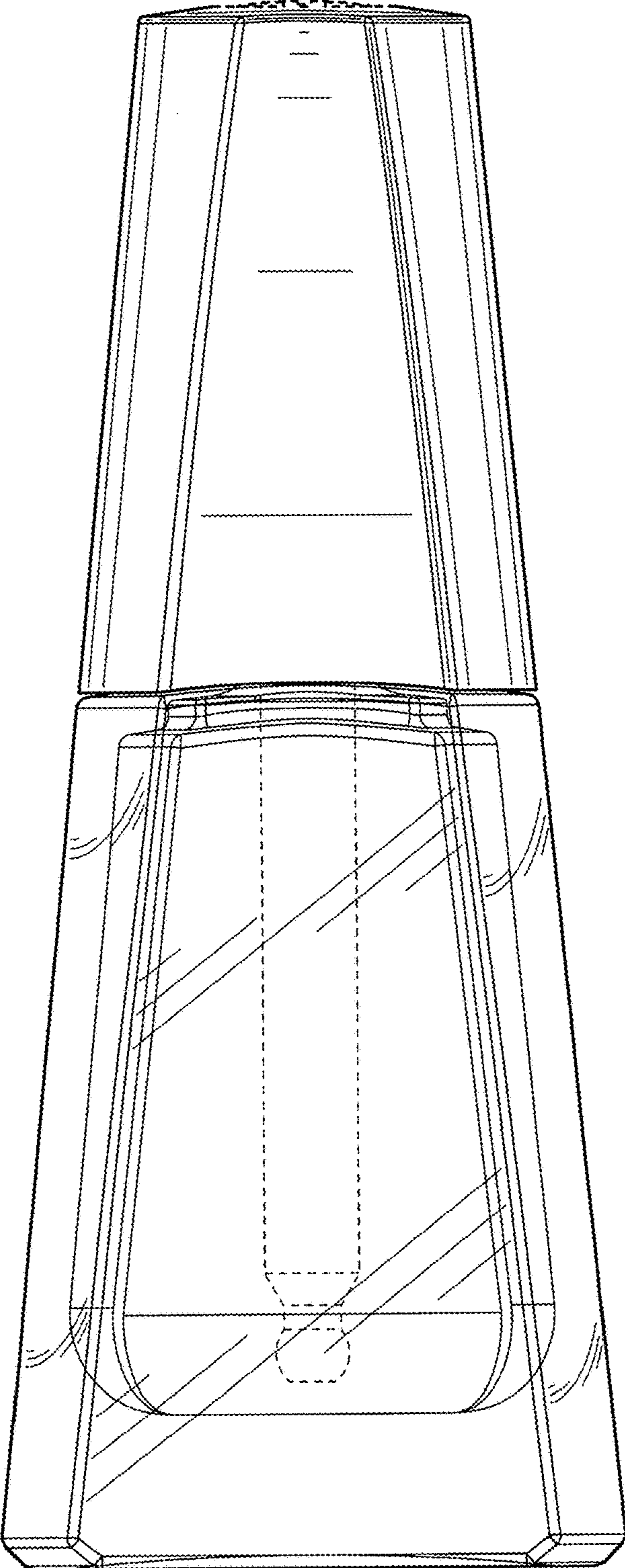


FIG. 2

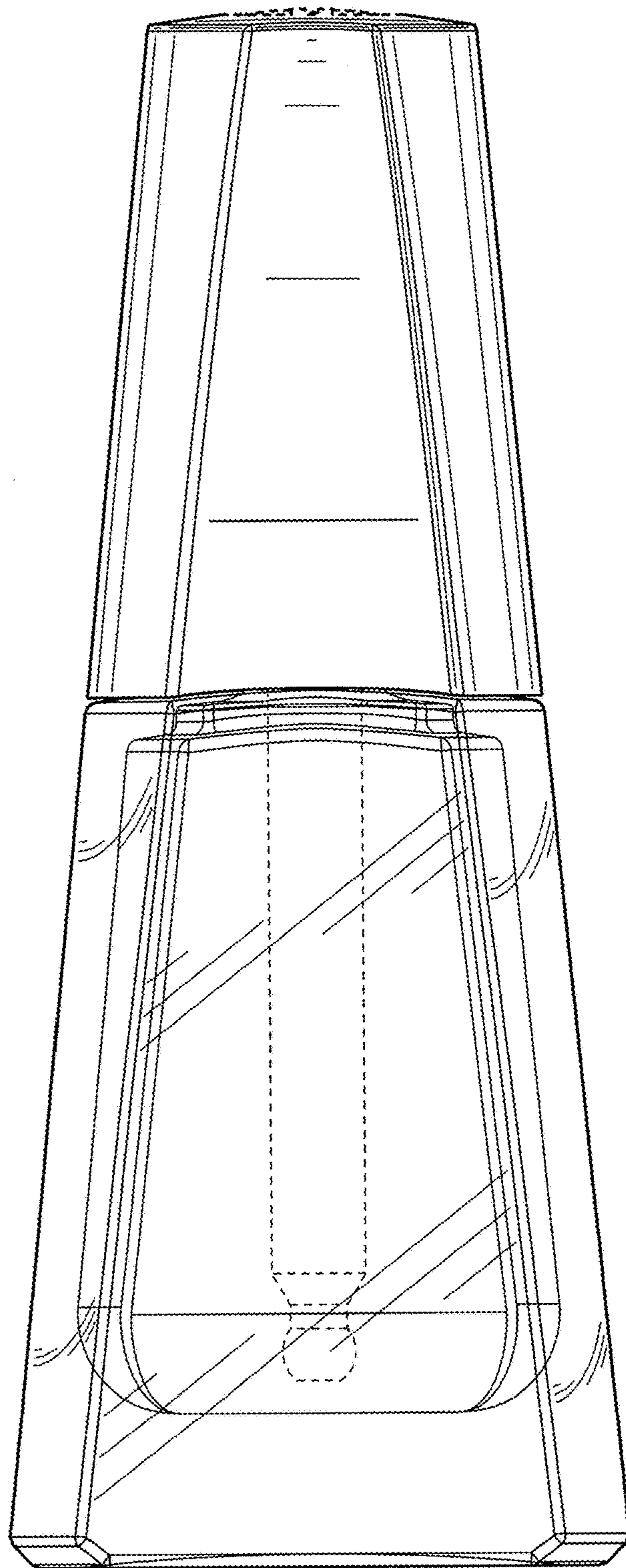


FIG. 3

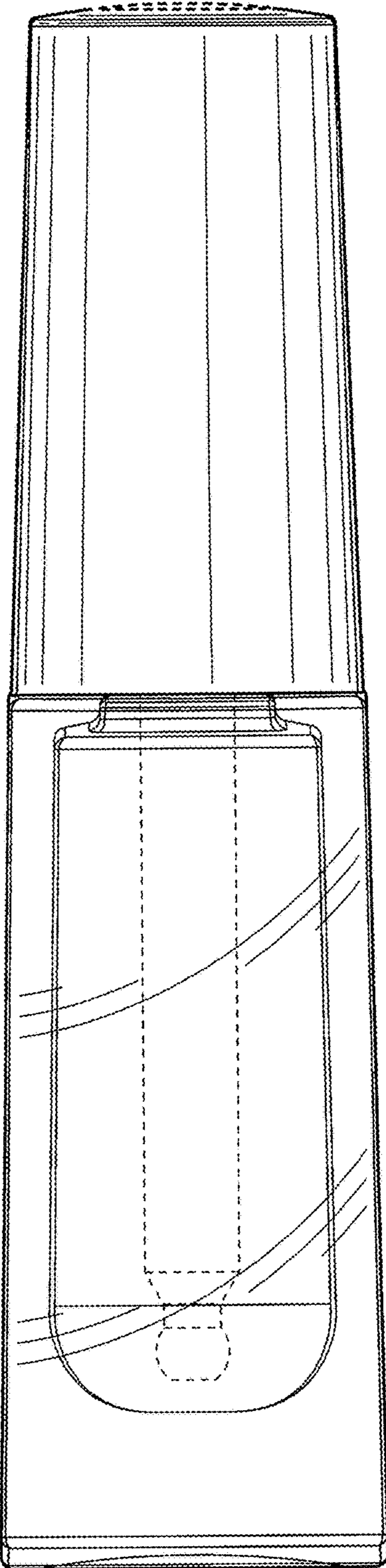


FIG. 4

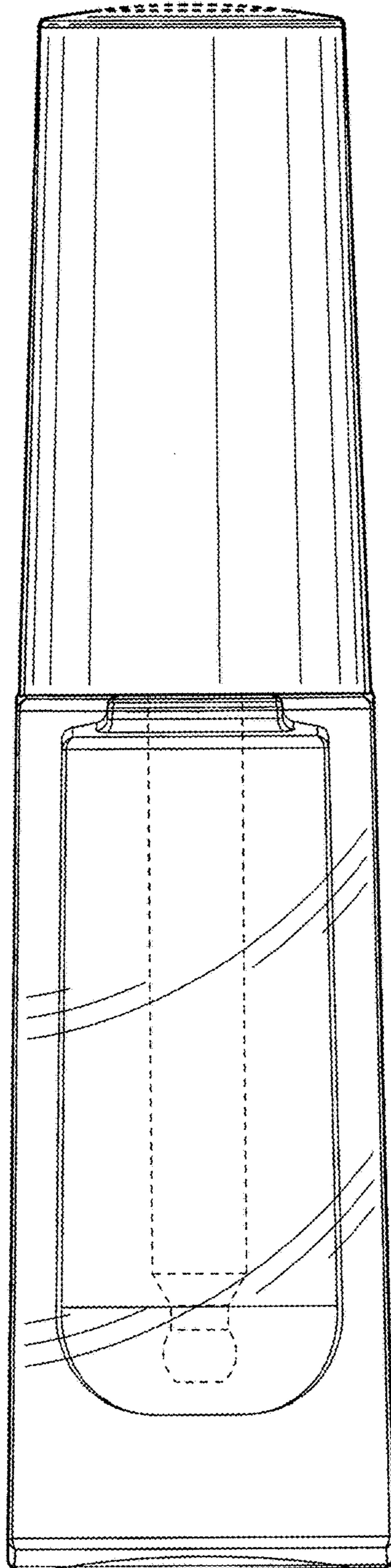


FIG. 5

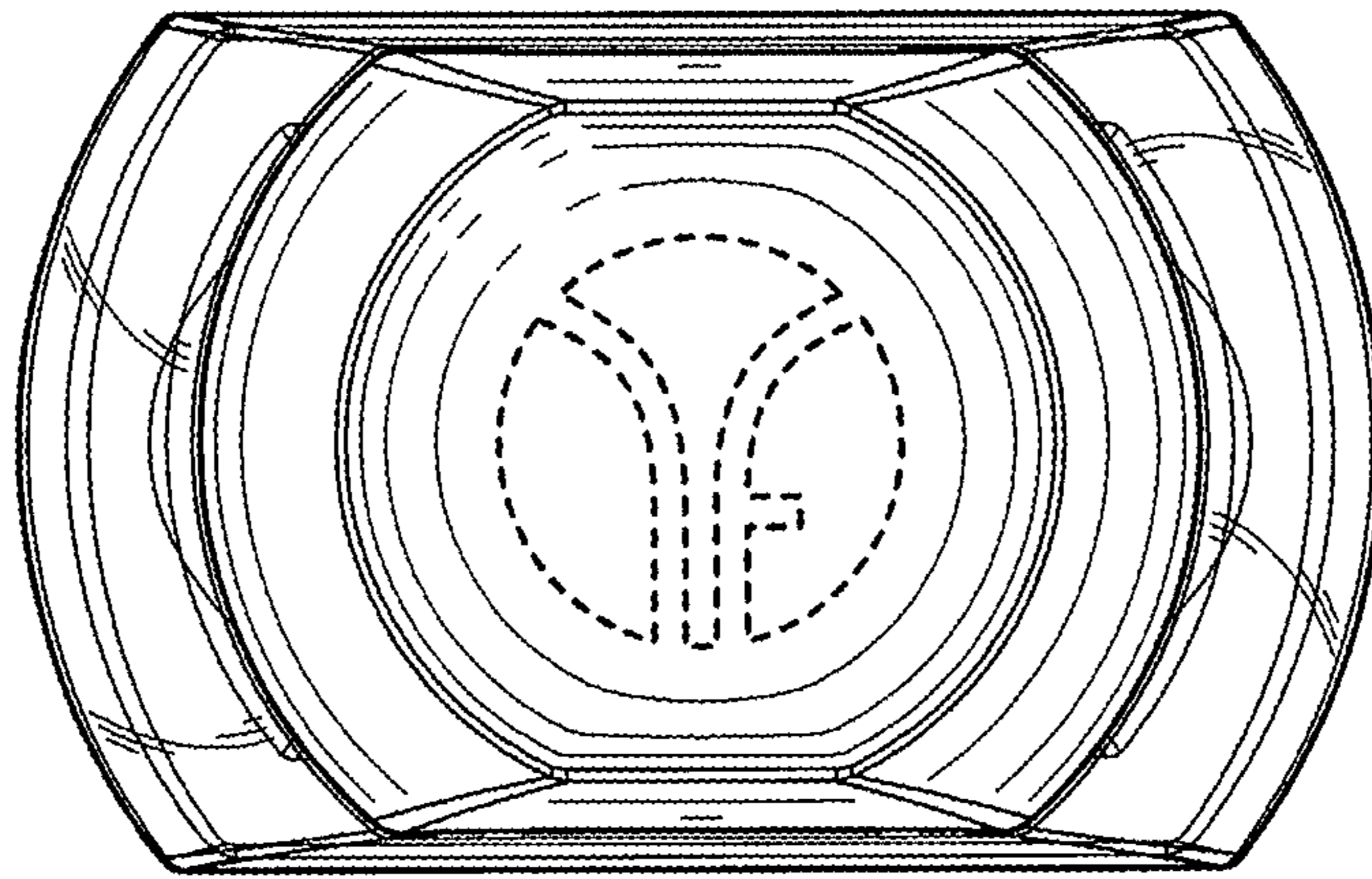


FIG. 6

UNITED STATES PATENT AND TRADEMARK OFFICE
CERTIFICATE OF CORRECTION

PATENT NO. : D825,341 S
APPLICATION NO. : 29/605730
DATED : August 14, 2018
INVENTOR(S) : Staab et al.

Page 1 of 1

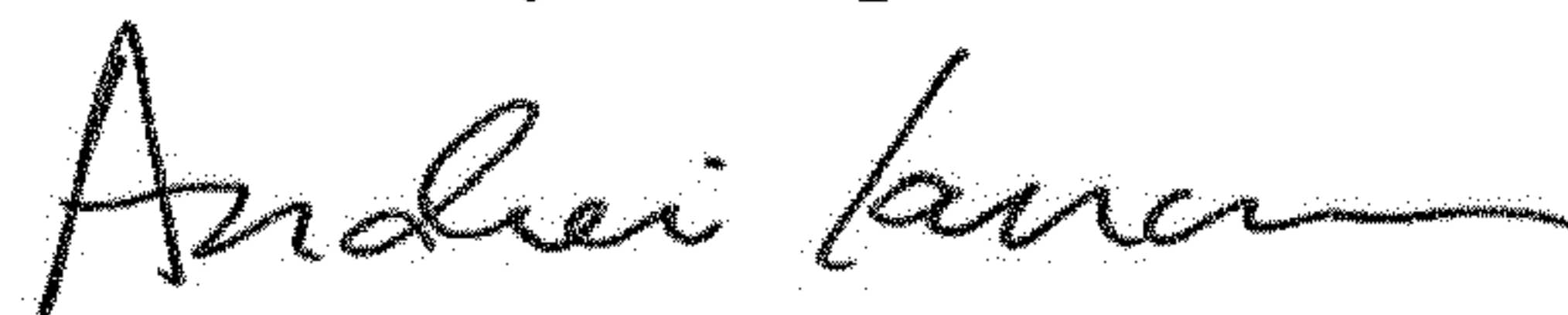
It is certified that error appears in the above-identified patent and that said Letters Patent is hereby corrected as shown below:

On the Title Page

Under Item (56), References Cited U.S. Patent Documents, please add the following U.S. references:

D213,543
D220,870
D221,835
D236,586
D236,802
D253,221
D279,454
D294,804
D302,385
D337,523
D497,314
D542,665
D567,664
D578,395
D584,953
D623,066

Signed and Sealed this
Tenth Day of September, 2019



Andrei Iancu
Director of the United States Patent and Trademark Office