



US00D825335S

(12) **United States Design Patent**  
**Buck**

(10) **Patent No.:** **US D825,335 S**

(45) **Date of Patent:** **\*\* Aug. 14, 2018**

(54) **FOOD CONTAINER**

(71) Applicant: **Ronald Mark Buck**, Encinitas, CA  
(US)

(72) Inventor: **Ronald Mark Buck**, Encinitas, CA  
(US)

(73) Assignee: **SNACKTOPS, INC.**, Carlsbad, CA  
(US)

(\*\*) Term: **15 Years**

(21) Appl. No.: **29/542,075**

(22) Filed: **Oct. 9, 2015**

(51) **LOC (11) Cl.** ..... **09-03**

(52) **U.S. Cl.**  
USPC ..... **D9/500**; D9/428

(58) **Field of Classification Search**  
USPC ..... D7/538-545, 602, 608, 629; D9/396.1,  
D9/414, 420, 424-429, 432, 761;  
206/501-509; 220/781, 791, 793,  
220/811-813, 835, 839  
CPC ... B65D 1/24; B65D 1/26; B65D 1/34; B65D  
1/36; B65D 1/40; B65D 1/0223; B65D  
25/04; B65D 43/03; B65D 43/16; B65D  
43/0212

See application file for complete search history.

(56) **References Cited**

**U.S. PATENT DOCUMENTS**

- 3,157,335 A \* 11/1964 Maier ..... B65D 1/265  
220/606
- D206,358 S \* 11/1966 Griese ..... D9/428
- 3,347,411 A \* 10/1967 Kalata ..... B65D 1/26  
206/519
- D221,625 S \* 8/1971 Kinney ..... D9/428
- D241,228 S \* 8/1976 Boduch ..... D7/523
- D453,094 S \* 1/2002 Maggard ..... D7/584
- D474,110 S \* 5/2003 Sweeney ..... D9/425
- D652,266 S \* 1/2012 Smyers ..... D7/630

- D684,459 S \* 6/2013 Stowe ..... D9/428
- D685,263 S \* 7/2013 Danenberg ..... D9/500
- D689,730 S \* 9/2013 Goto ..... D7/354
- D695,110 S \* 12/2013 Houlton ..... D9/500
- D698,649 S \* 2/2014 Quint ..... D7/400

(Continued)

*Primary Examiner* — Derrick E Holland

*Assistant Examiner* — Janice Patyk

(74) *Attorney, Agent, or Firm* — Manuel de la Cerra

(57) **CLAIM**

The ornamental design for a food container, as shown and described.

**DESCRIPTION**

FIG. 1 is a top perspective view of a food container, showing my new design.

FIG. 2 is a bottom perspective view thereof.

FIG. 3 is a top perspective view thereof, shown in use, in reduced scale.

FIG. 4 is a bottom perspective view thereof, shown in use, in reduced scale.

FIG. 5 is a top perspective view thereof, shown in use, in detached condition, in reduced scale.

FIG. 6 is a bottom perspective view thereof, shown in use, in detached condition, in reduced scale.

FIG. 7 is a top view thereof.

FIG. 8 is a bottom view thereof.

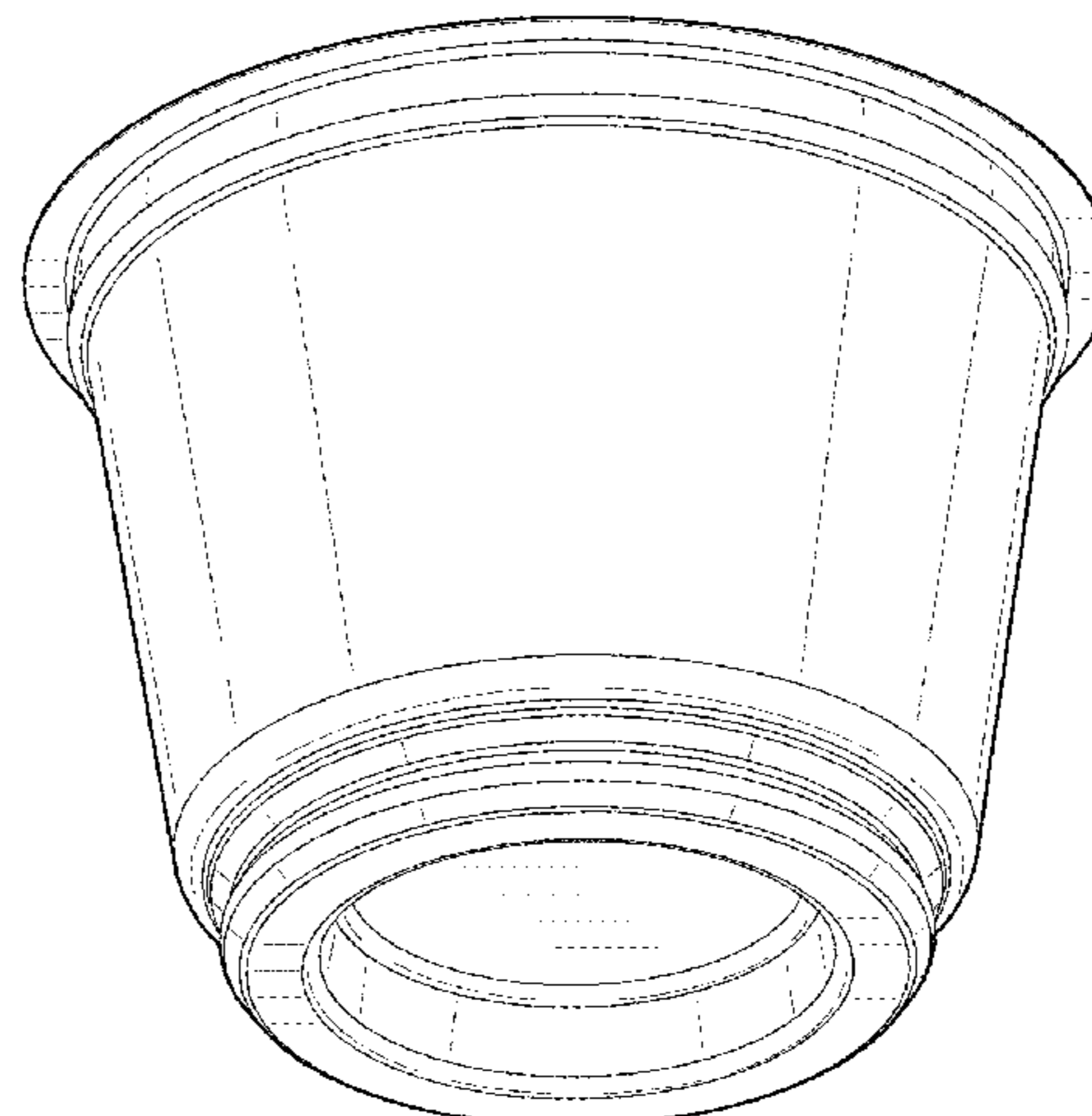
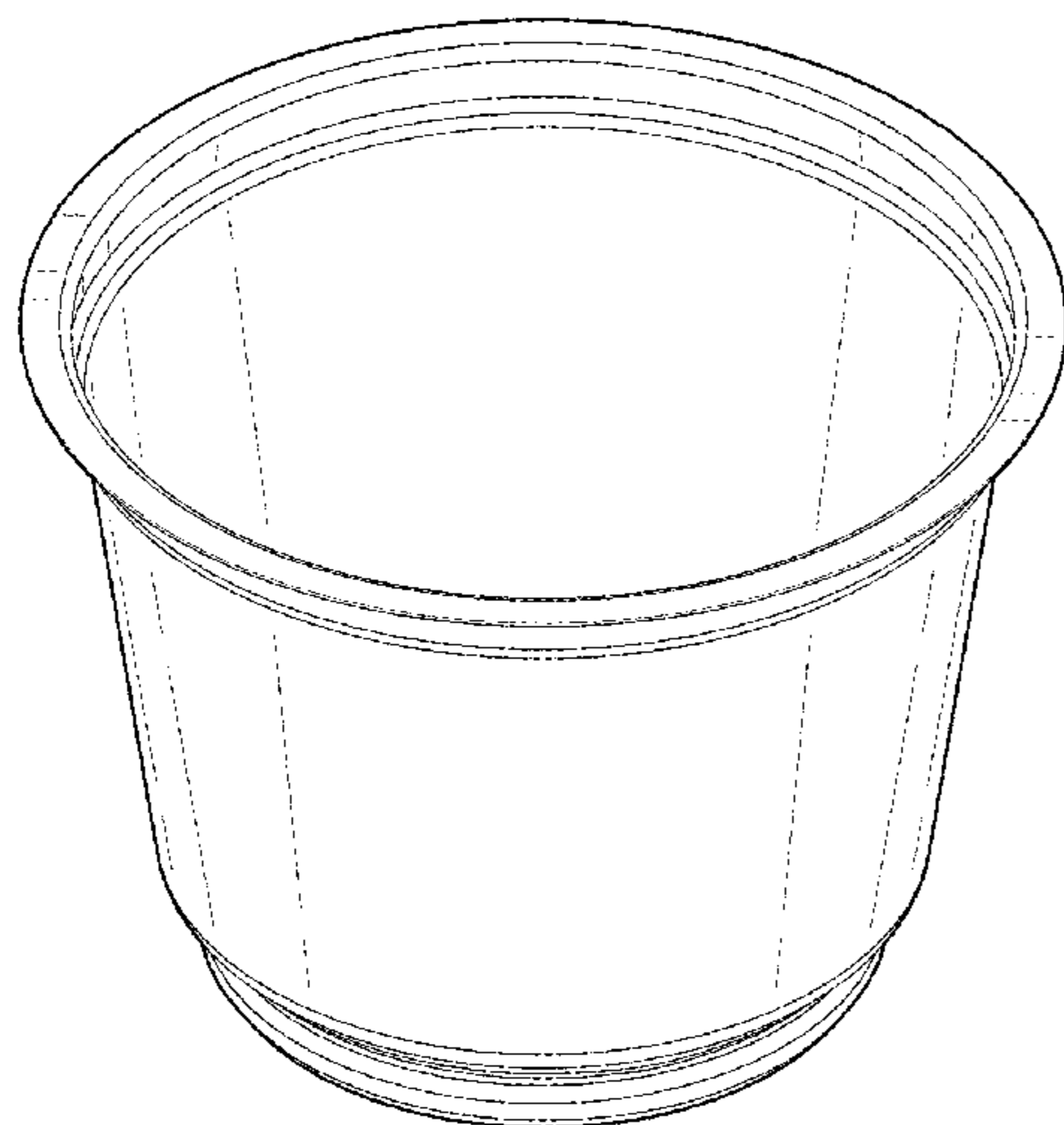
FIG. 9 is a front view thereof, and the rear view being a mirror image thereof; and,

FIG. 10 is a left side view thereof, and the right side view being a mirror image thereof.

The broken lines showing the lid and the beverage container in the figures illustrate environmental subject matter that form no part of the claimed design.

The dot-dash broken lines immediately adjacent to the claimed areas in the views represent the boundaries of the design and form no part thereof. None of the broken lines form any part of the claimed design.

**1 Claim, 6 Drawing Sheets**



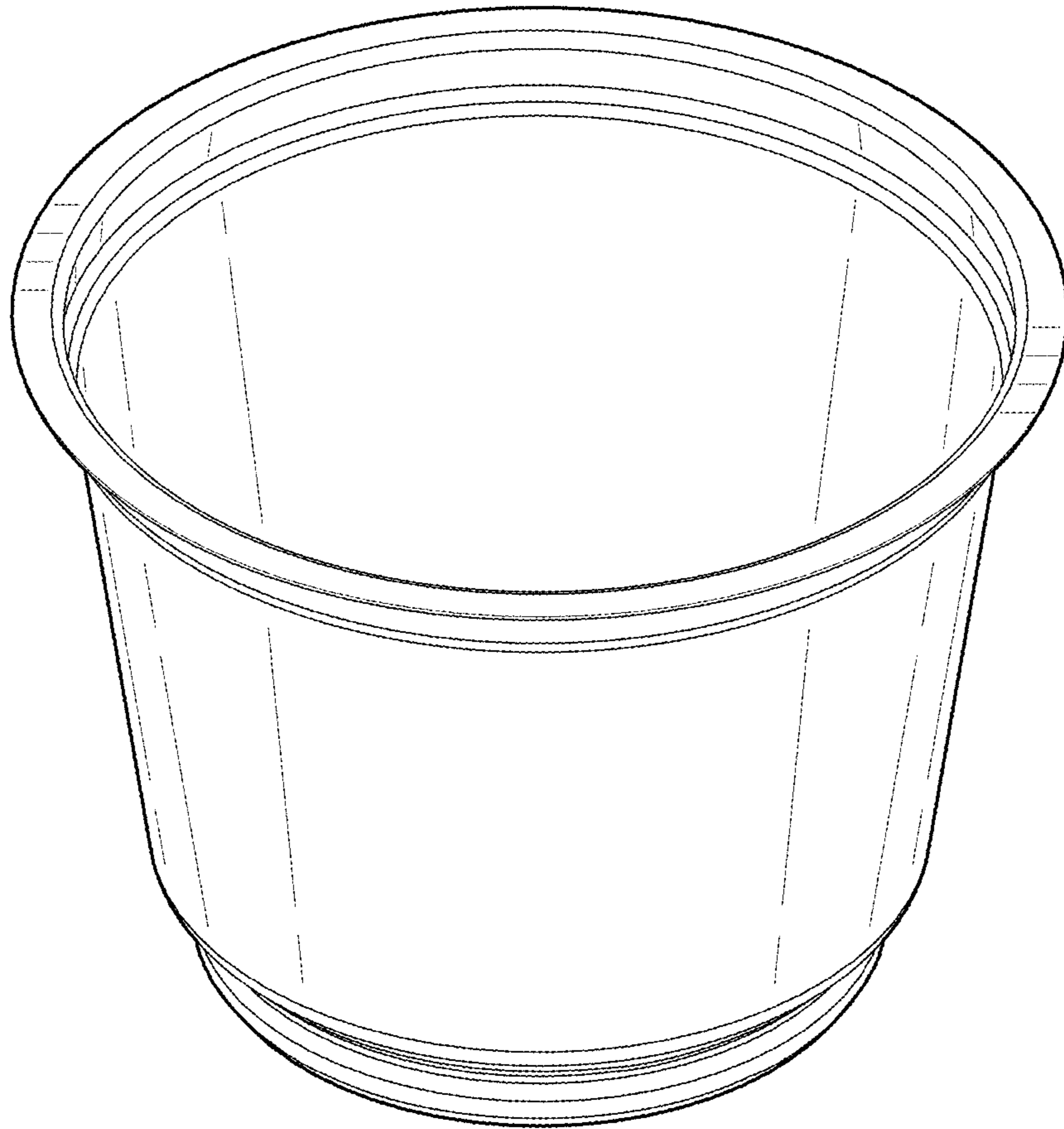
(56)

**References Cited**

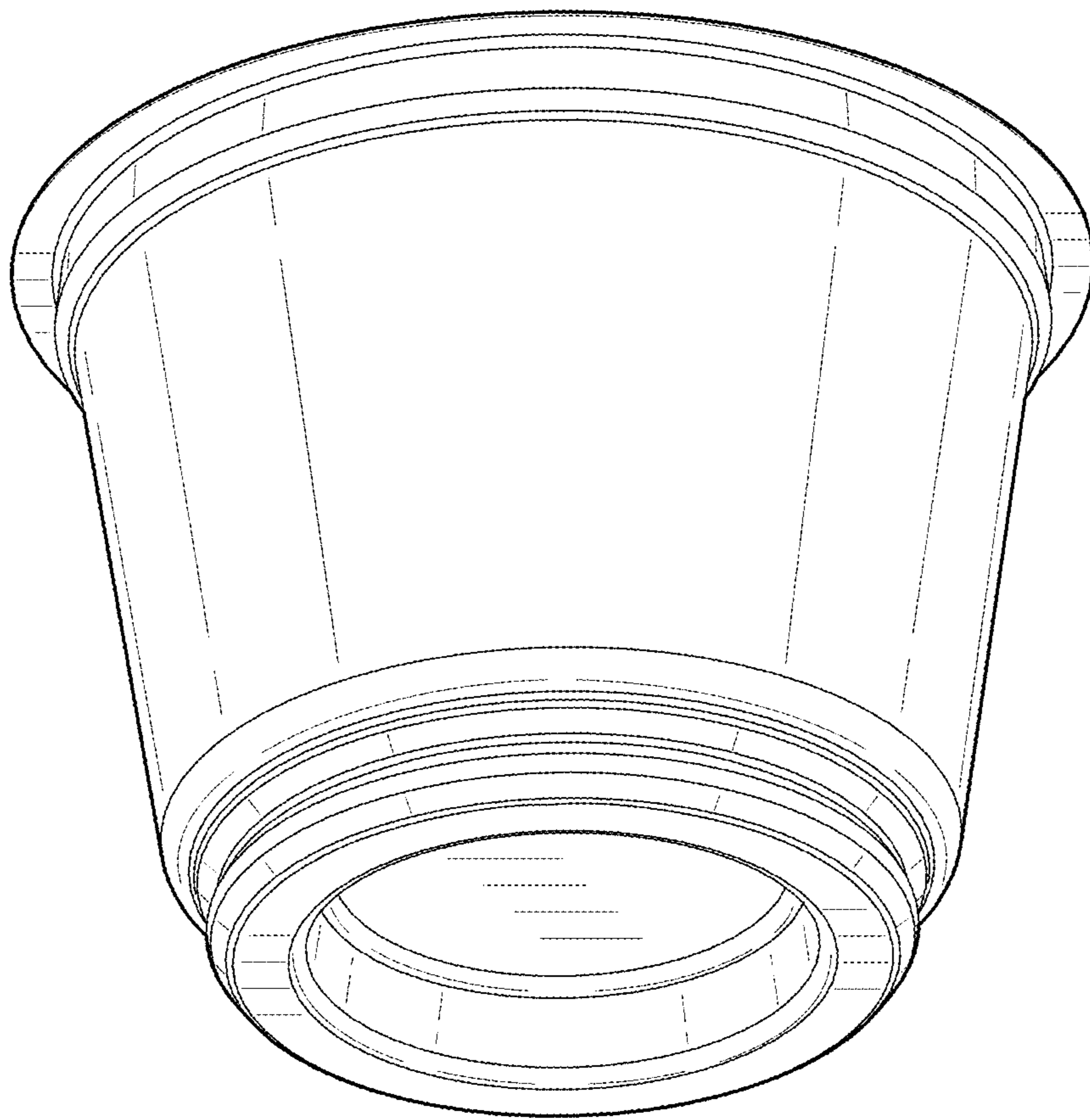
U.S. PATENT DOCUMENTS

D701,076 S \* 3/2014 Baratelli ..... D7/354  
2007/0102425 A1\* 5/2007 Richardson ..... B65D 15/14  
219/734

\* cited by examiner



*FIG. 1*



*FIG. 2*

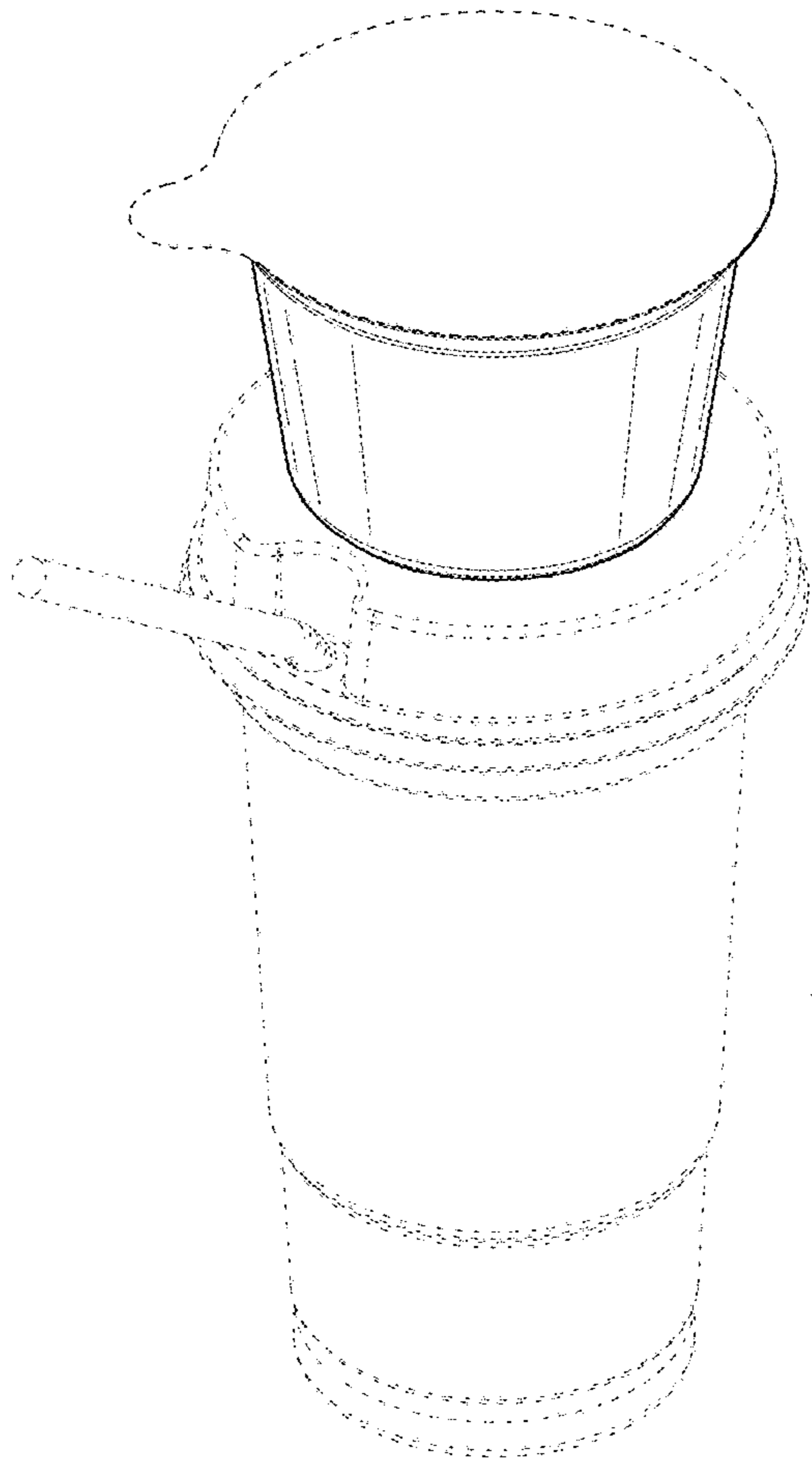


FIG. 3

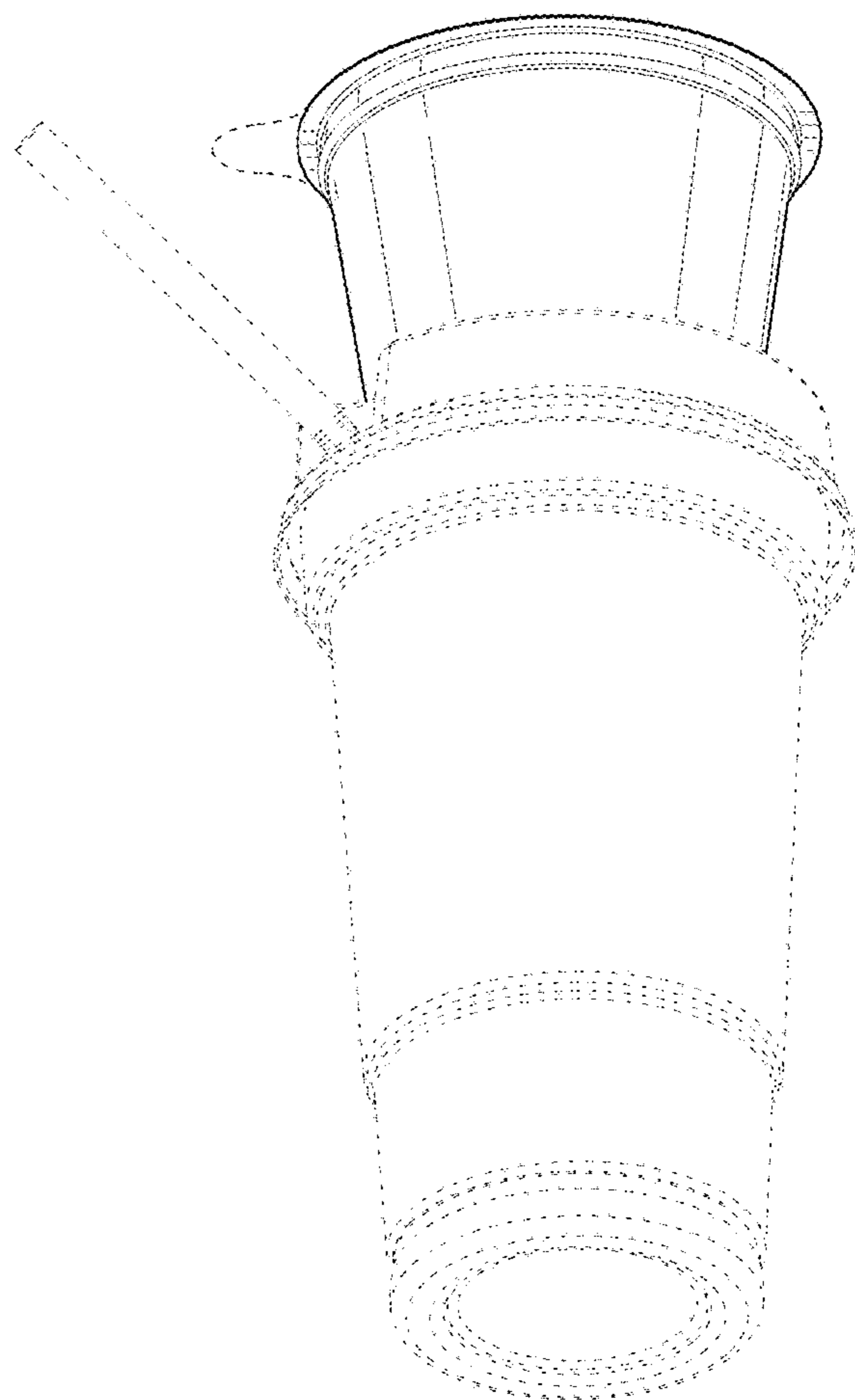


FIG. 4

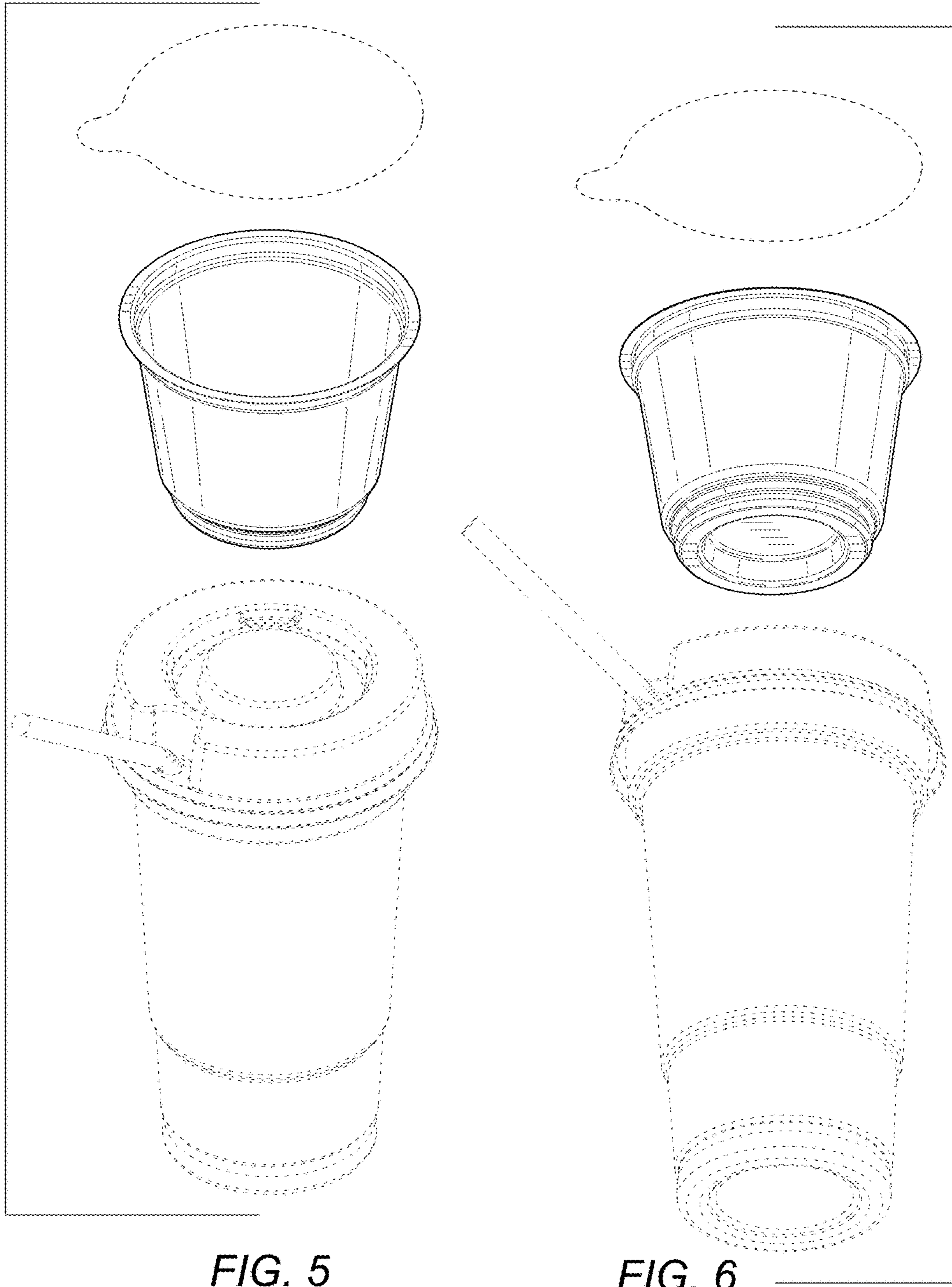


FIG. 5

FIG. 6

FIG. 7

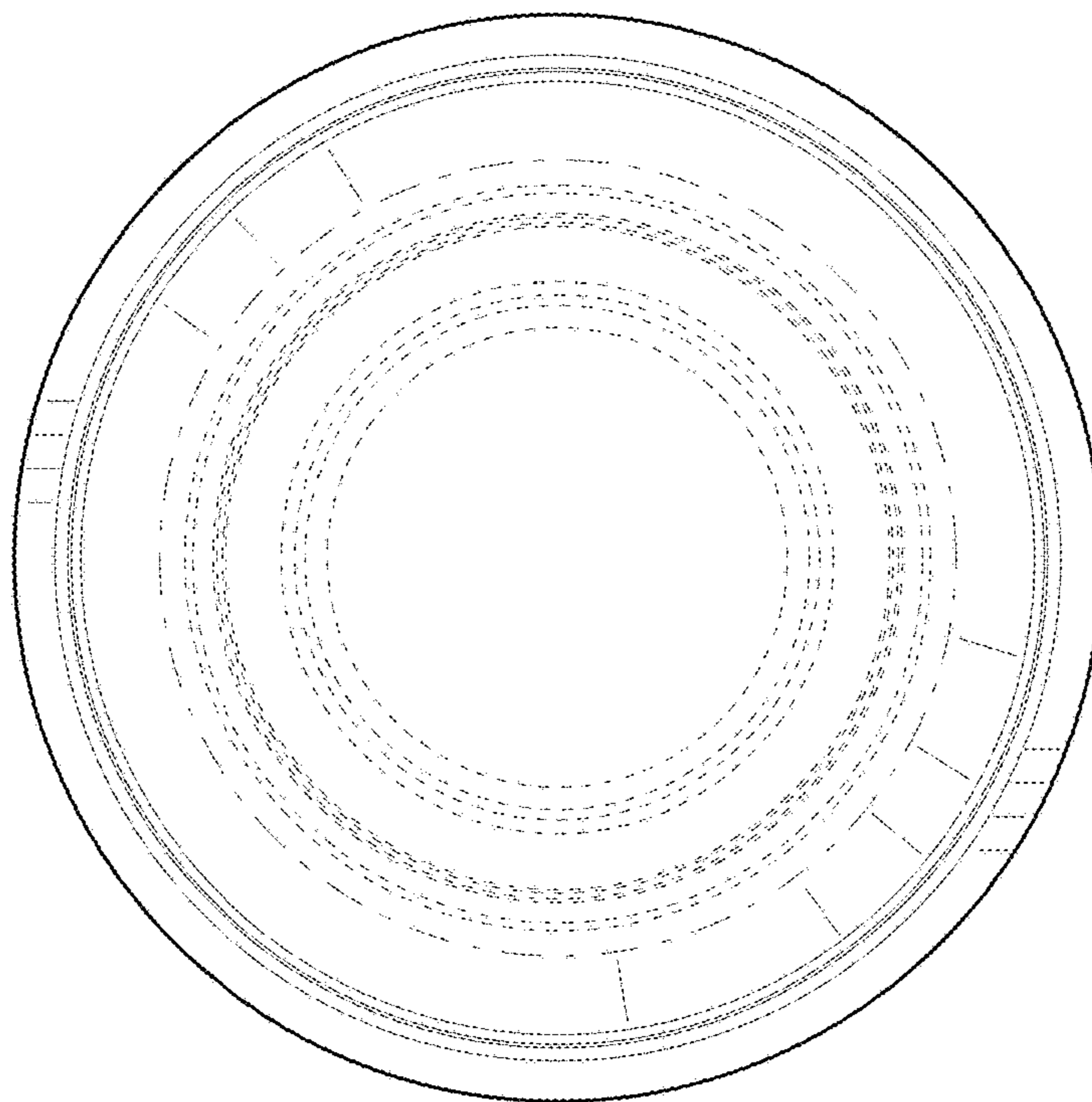
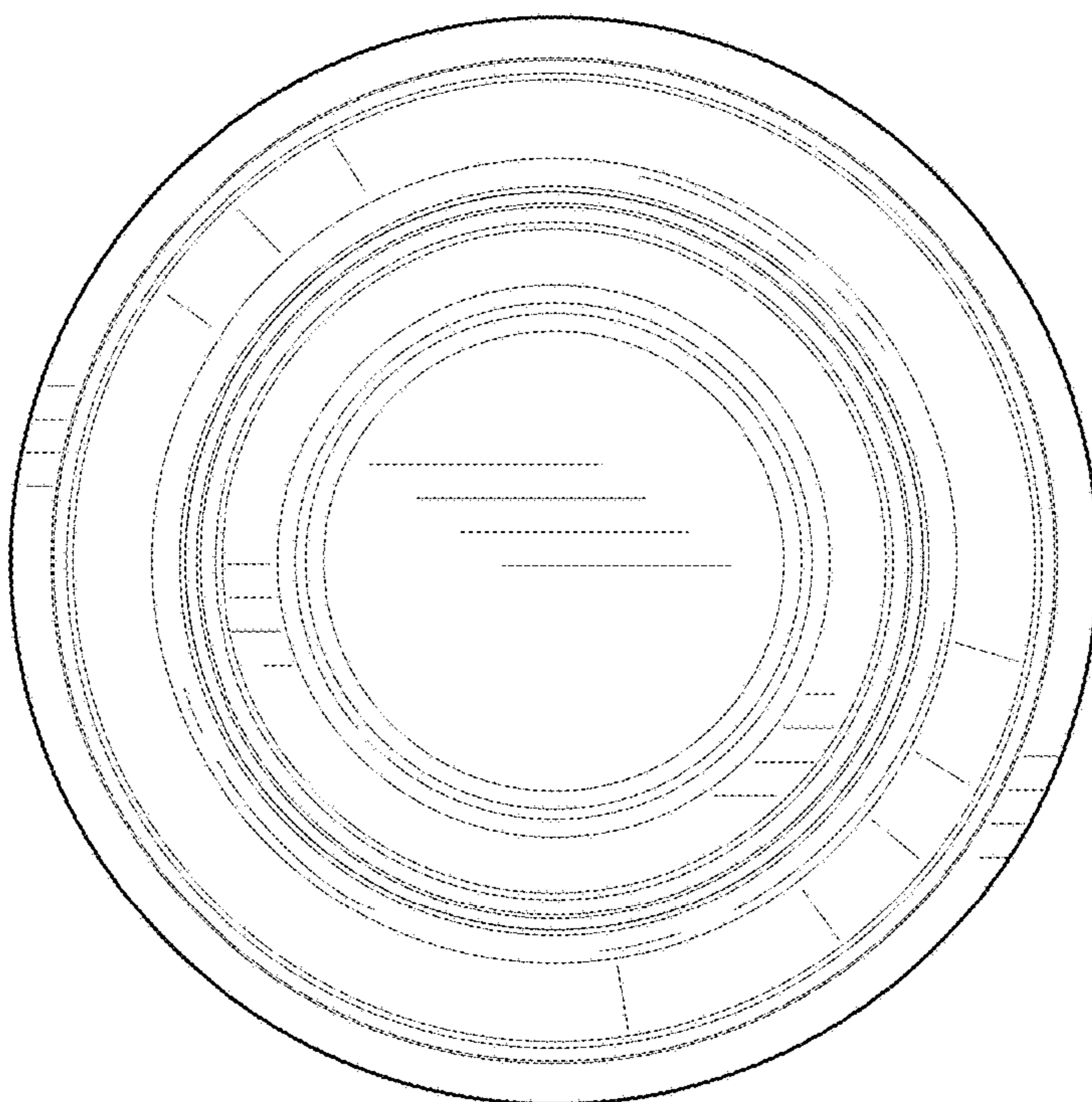
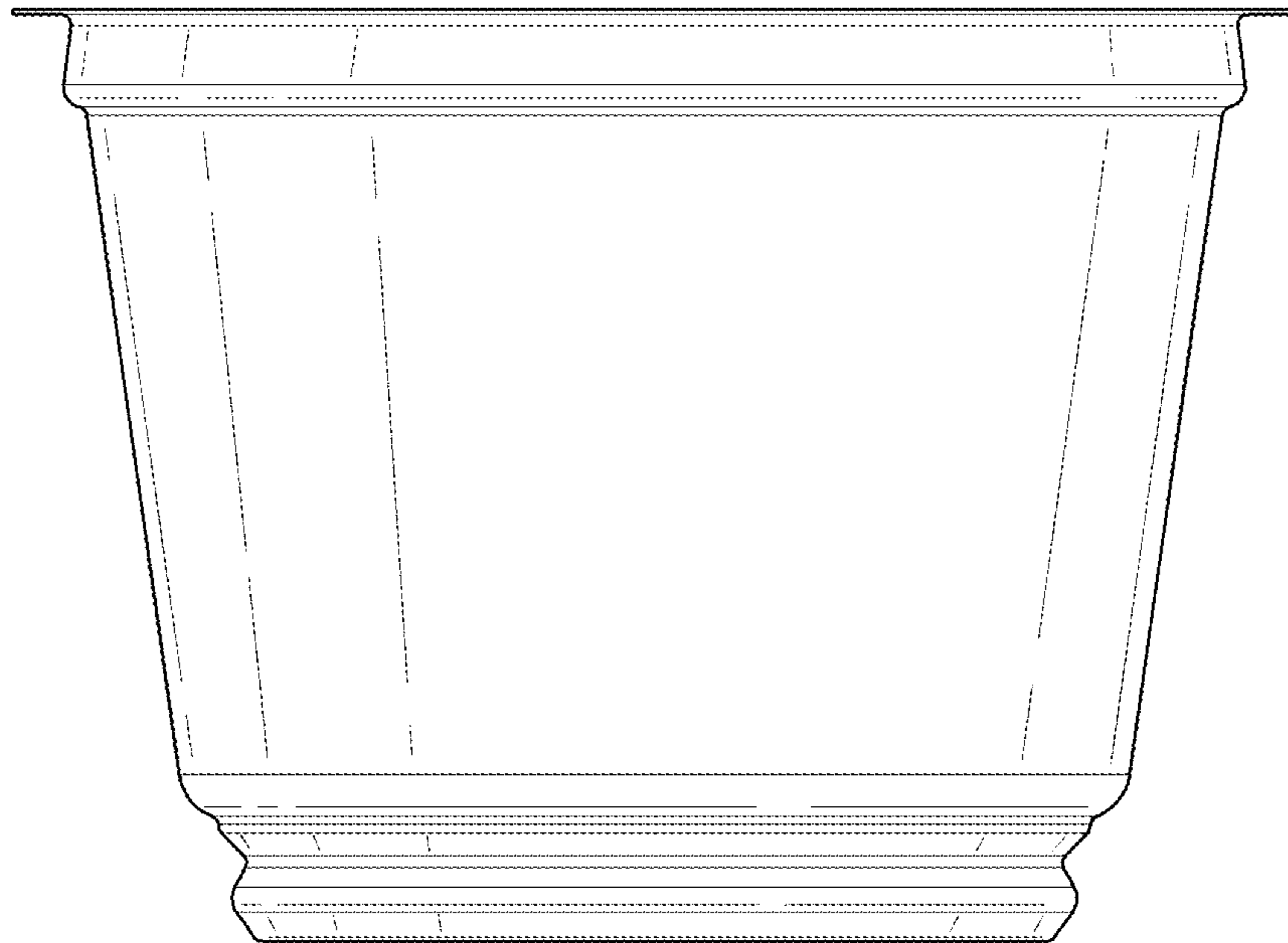
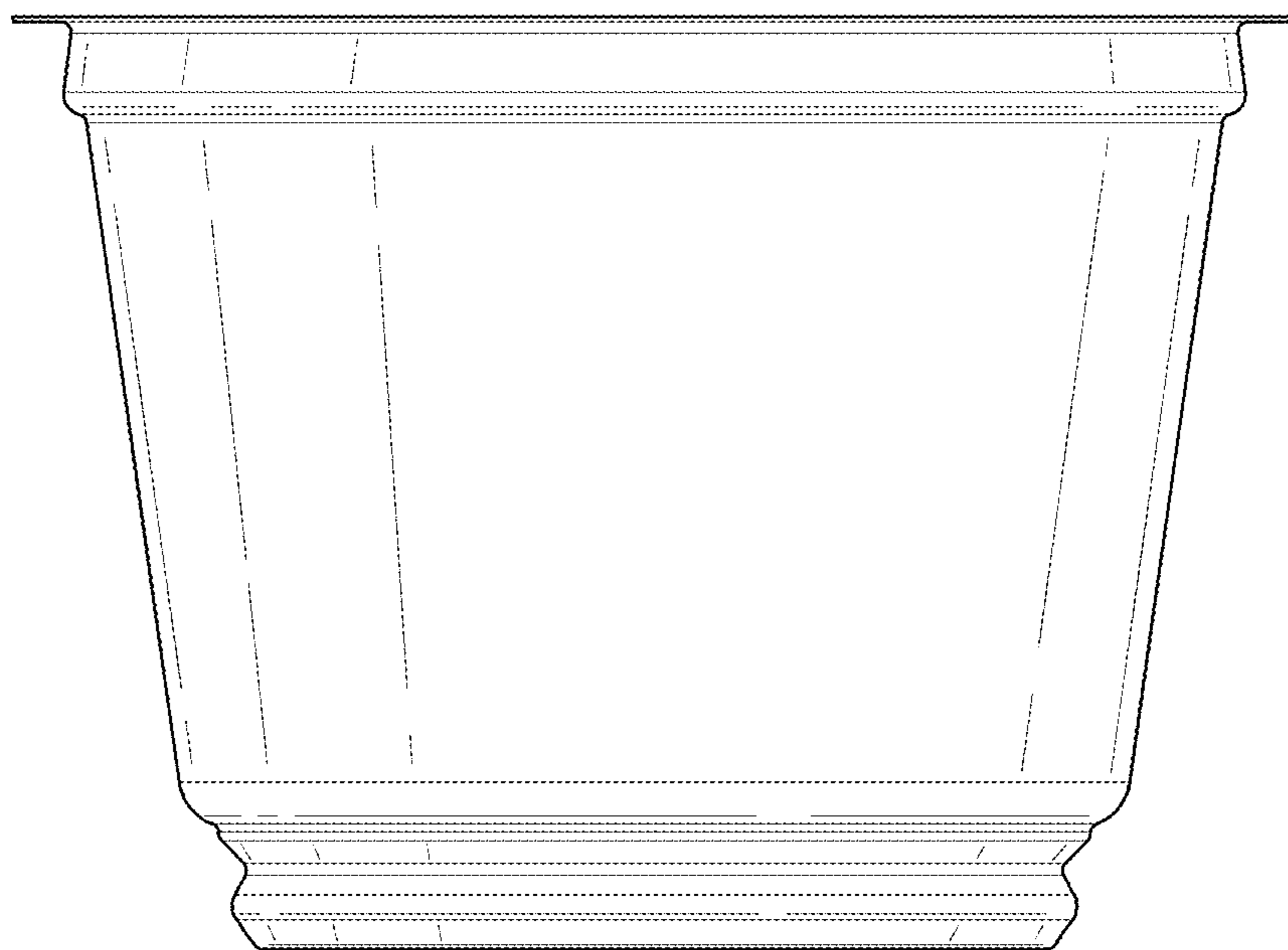


FIG. 8





*FIG. 9*



*FIG. 10*