



US00D825332S

(12) **United States Design Patent**
Miksovsky et al.

(10) **Patent No.: US D825,332 S**

(45) **Date of Patent: ** *Aug. 14, 2018**

(54) **CAP-ON-CAP CONTAINER LID**

(71) Applicant: **HUMANGEAR, INC.**, San Francisco, CA (US)

(72) Inventors: **Christopher A. Miksovsky**, San Francisco, CA (US); **Christopher Loew**, Palo Alto, CA (US); **Scott Cook**, Oakland, CA (US); **Thomas Zipprian**, San Francisco, CA (US)

(73) Assignee: **humangear, Inc.**, San Francisco, CA (US)

(*) Notice: This patent is subject to a terminal disclaimer.

(**) Term: **15 Years**

(21) Appl. No.: **35/501,663**

(22) Filed: **Apr. 7, 2016**

(80) **Hague Agreement Data**

Int. Filing Date: **Apr. 7, 2016**

Int. Reg. No.: **DM/091871**

Int. Reg. Date: **Apr. 7, 2016**

Int. Reg. Pub. Date: **Oct. 7, 2016**

Related U.S. Application Data

(63) Continuation-in-part of application No. 29/542,403, filed on Oct. 14, 2015, which is a continuation-in-part (Continued)

(51) **LOC (11) Cl.** **09-06**

(52) **U.S. Cl.**
USPC **D9/446**

(58) **Field of Classification Search**
USPC D3/202, 203.1, 203.2, 318, 273, 275, D3/294; D9/434, 435, 436, 438, 439,
(Continued)

(56) **References Cited**

U.S. PATENT DOCUMENTS

1,924,242 A * 8/1933 Kaye B65D 55/16
215/306
3,826,394 A * 7/1974 Stull B65D 47/14
215/211

(Continued)

Primary Examiner — Melanie H Tung

Assistant Examiner — Bao-Yen T Nguyen

(74) *Attorney, Agent, or Firm* — Beyer Law Group LLP

(57) **CLAIM**

The ornamental design for a cap-on-cap container lid, as shown and described.

DESCRIPTION

FIG. 1.1 is a perspective view of a cap-on-cap container lid showing our new design.

FIG. 1.2 is a right side view of the cap-on-cap container lid of FIG. 1.1.

FIG. 1.3 is a left side view of the cap-on-cap container lid of FIG. 1.1.

FIG. 1.4 is a front view of the cap-on-cap container lid of FIG. 1.1.

FIG. 1.5 is a back view of the cap-on-cap container lid of FIG. 1.1.

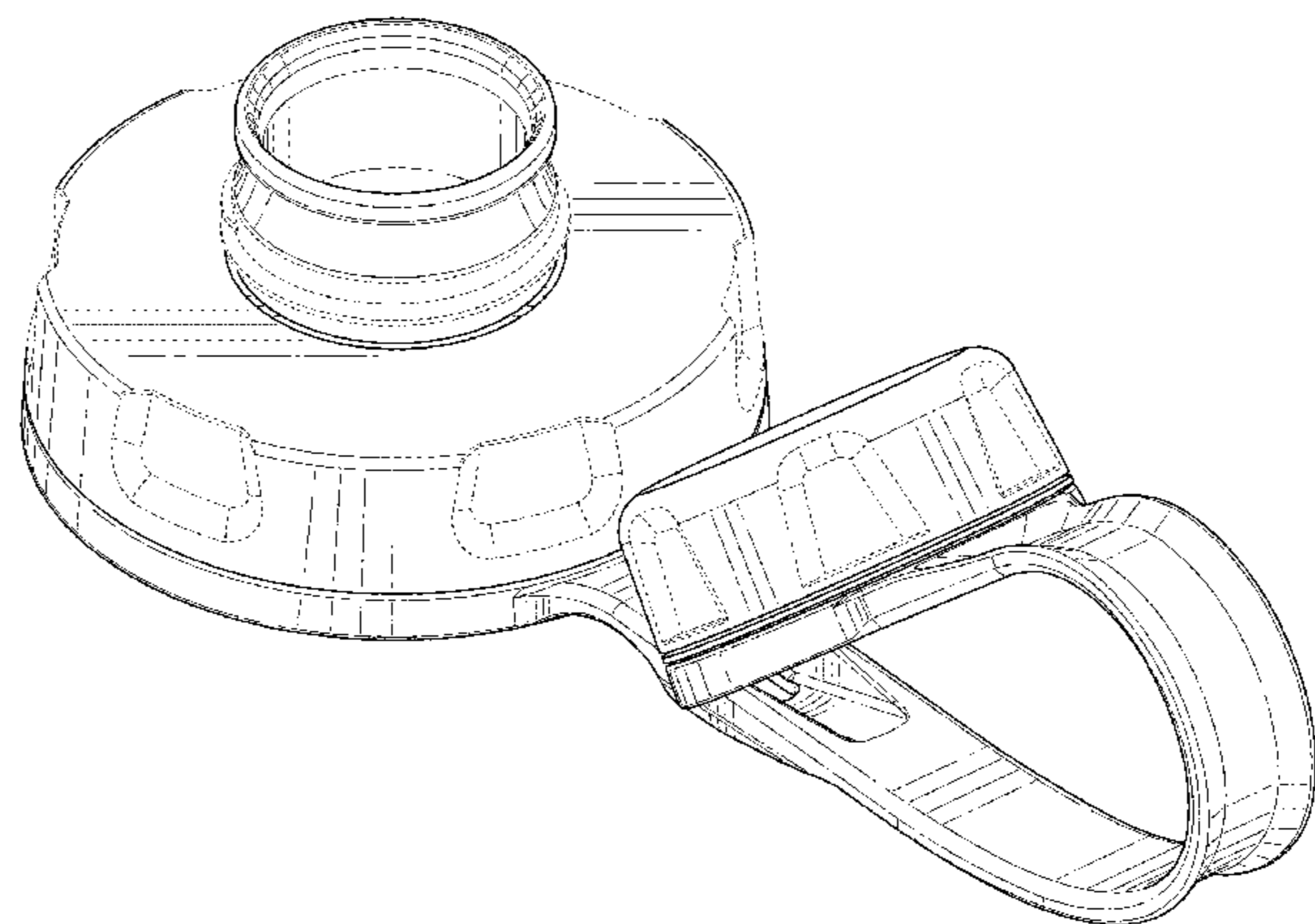
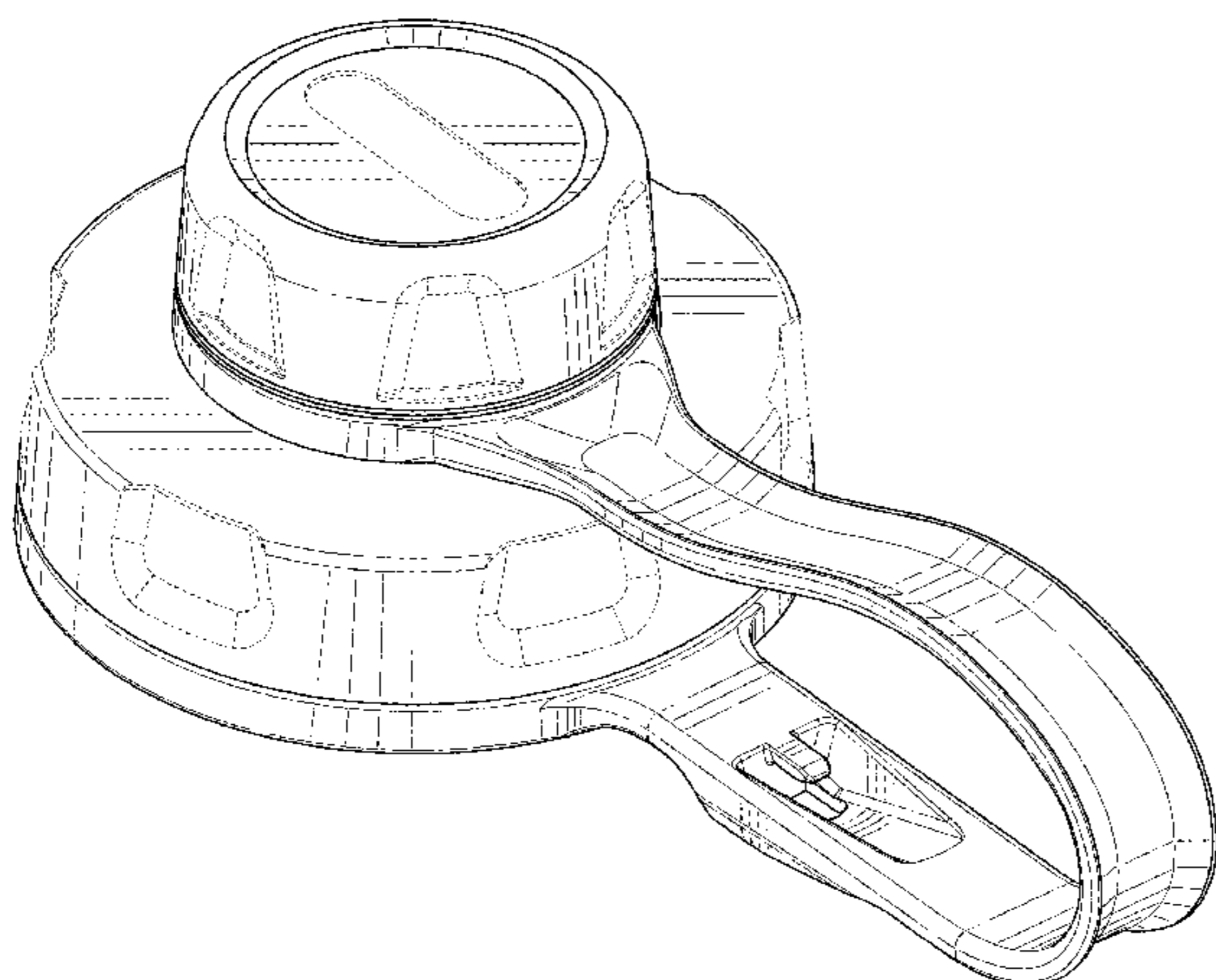
FIG. 1.6 is a top view of the cap-on-cap container lid of FIG. 1.1.

FIG. 1.7 is a bottom view of the cap-on-cap container lid of FIG. 1.1.

FIG. 1.8 is a perspective view of the cap-on-cap container lid of FIG. 1.1 with the upper cap detached from and positioned to the side of the lower cap.

The dash-dash broken lines illustrate portions of the cap-on-cap container lid and form no part of the claimed design. The design includes a strap that couples an upper cap to a lower cap. The perspective view of FIG. 1.1 shows the upper cap secured to and covering a spout portion of the lower cap. The perspective view of FIG. 1.8 shows the upper cap removed from the spout portion of the lower cap and stored to the side of the spout. The spout cannot be seen in FIG. 1.1

(Continued)



but is seen in FIG. 1.8. The position of the upper cap relative to the lower cap may vary within the constraints of the strap.

1 Claim, 8 Drawing Sheets

Related U.S. Application Data

of application No. 29/542,404, filed on Oct. 14, 2015, now Pat. No. Des. 791,542, which is a continuation-in-part of application No. 29/542,405, filed on Oct. 14, 2015, now Pat. No. Des. 767,390.

(58) **Field of Classification Search**

USPC D9/440, 443, 445, 446, 447, 448, 449, D9/450, 452, 453, 454, 499, 502, 503, D9/504, 516, 517, 529
 CPC B65D 50/041; B65D 23/00; B65D 1/00; B65D 1/02; B65D 1/0223; B65D 83/06; B65D 47/14; A47G 18/22; A47G 18/23
 See application file for complete search history.

(56) **References Cited**

U.S. PATENT DOCUMENTS

5,462,185 A * 10/1995 Walker, III B65D 47/147
 215/307

D364,810	S	*	12/1995	Meisner	D9/446
D425,362	S	*	5/2000	Meyers	D7/392
D475,923	S	*	6/2003	Renz	D9/446
D528,910	S	*	9/2006	Kingsley	D7/392.1
D572,078	S	*	7/2008	Bhavnani	D7/392.1
D605,942	S	*	12/2009	Miksovsky	D9/446
D630,511	S	*	1/2011	Stull, Sr.	D9/447
D632,521	S	*	2/2011	Wahl	D7/392.1
D634,972	S	*	3/2011	Staton	D7/392.1
D650,629	S	*	12/2011	Gilbert	D7/392.1
D651,044	S	*	12/2011	Gilbert	D7/510
D658,446	S	*	5/2012	George	D7/511
D674,277	S	*	1/2013	Hanson	D9/446
D678,767	S	*	3/2013	Haley	D9/440
D680,805	S	*	4/2013	Rosbach	D7/392.1
8,752,720	B1	*	6/2014	Habig	B65D 55/16 215/306
D714,584	S	*	10/2014	Boroski	D7/392
D741,176	S	*	10/2015	Bell	D9/446
D750,490	S	*	3/2016	Moore	D9/446
D755,562	S	*	5/2016	Lindsay	D7/392.1
2005/0184026	A1	*	8/2005	Haley	B65D 47/06 215/306
2006/0124579	A1	*	6/2006	Nielson	B65D 23/104 215/396
2008/0087624	A1	*	4/2008	Buckley	A47G 23/16 215/230

* cited by examiner

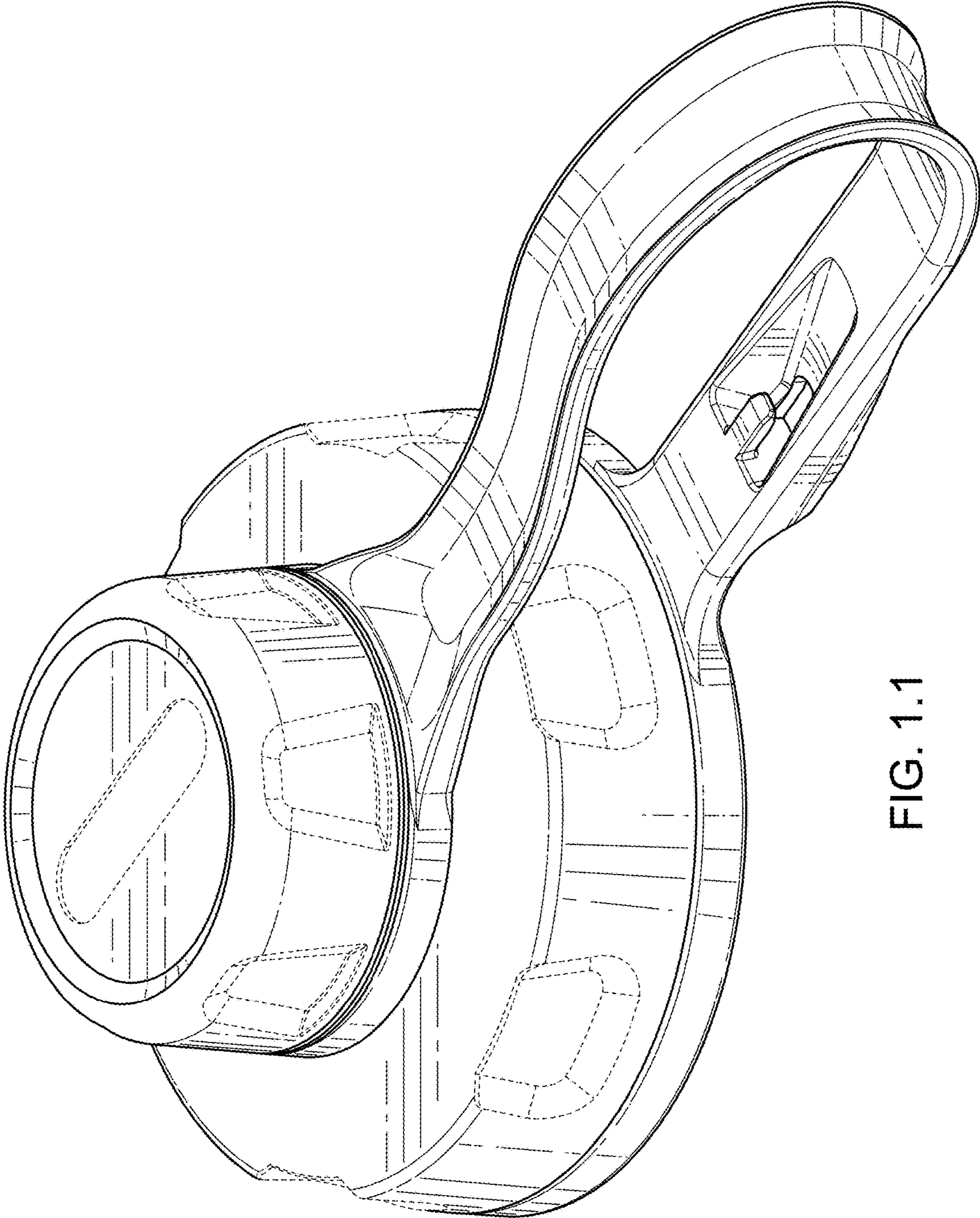


FIG. 1.1

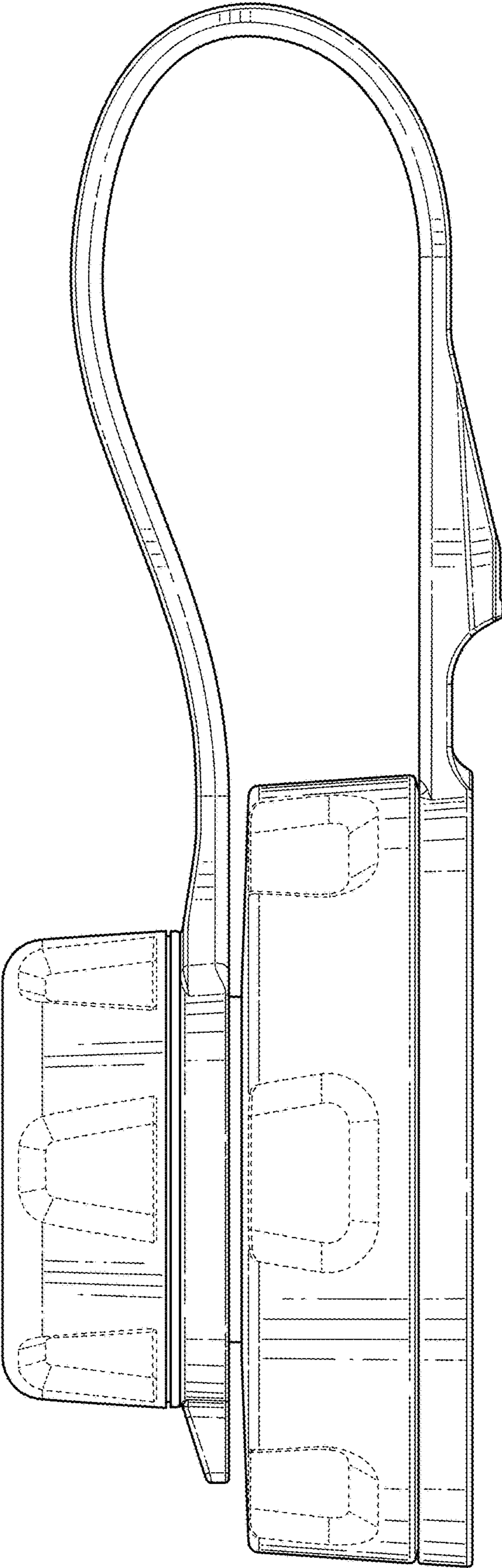


FIG. 1.2

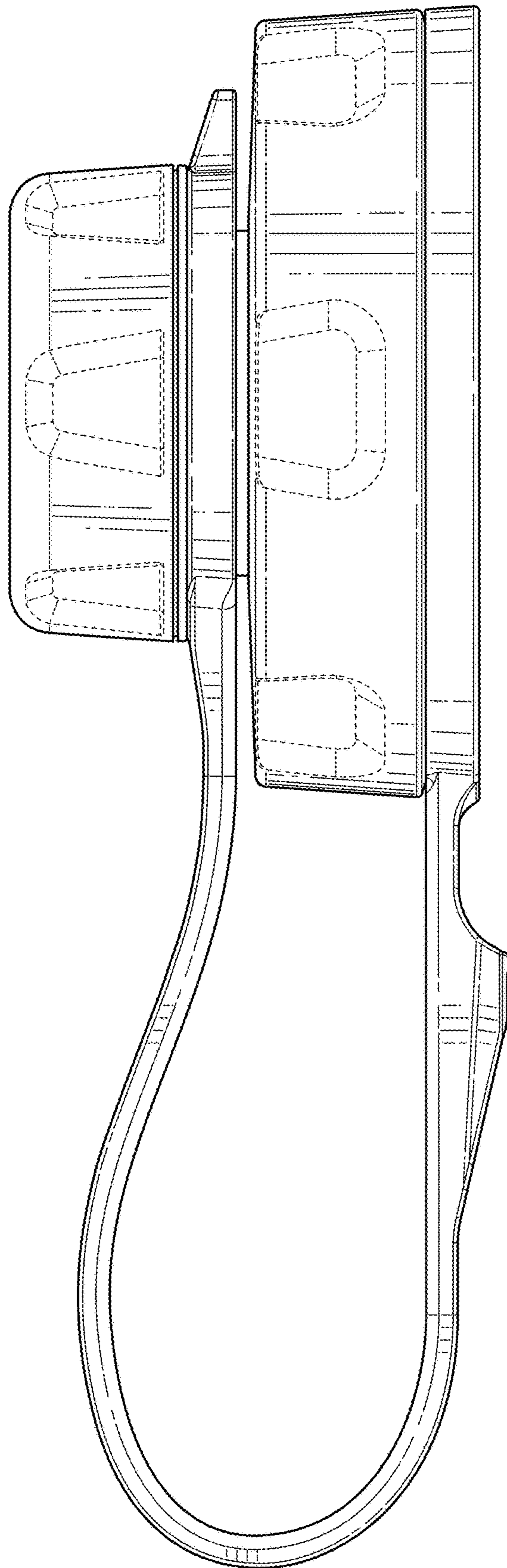


FIG. 1.3

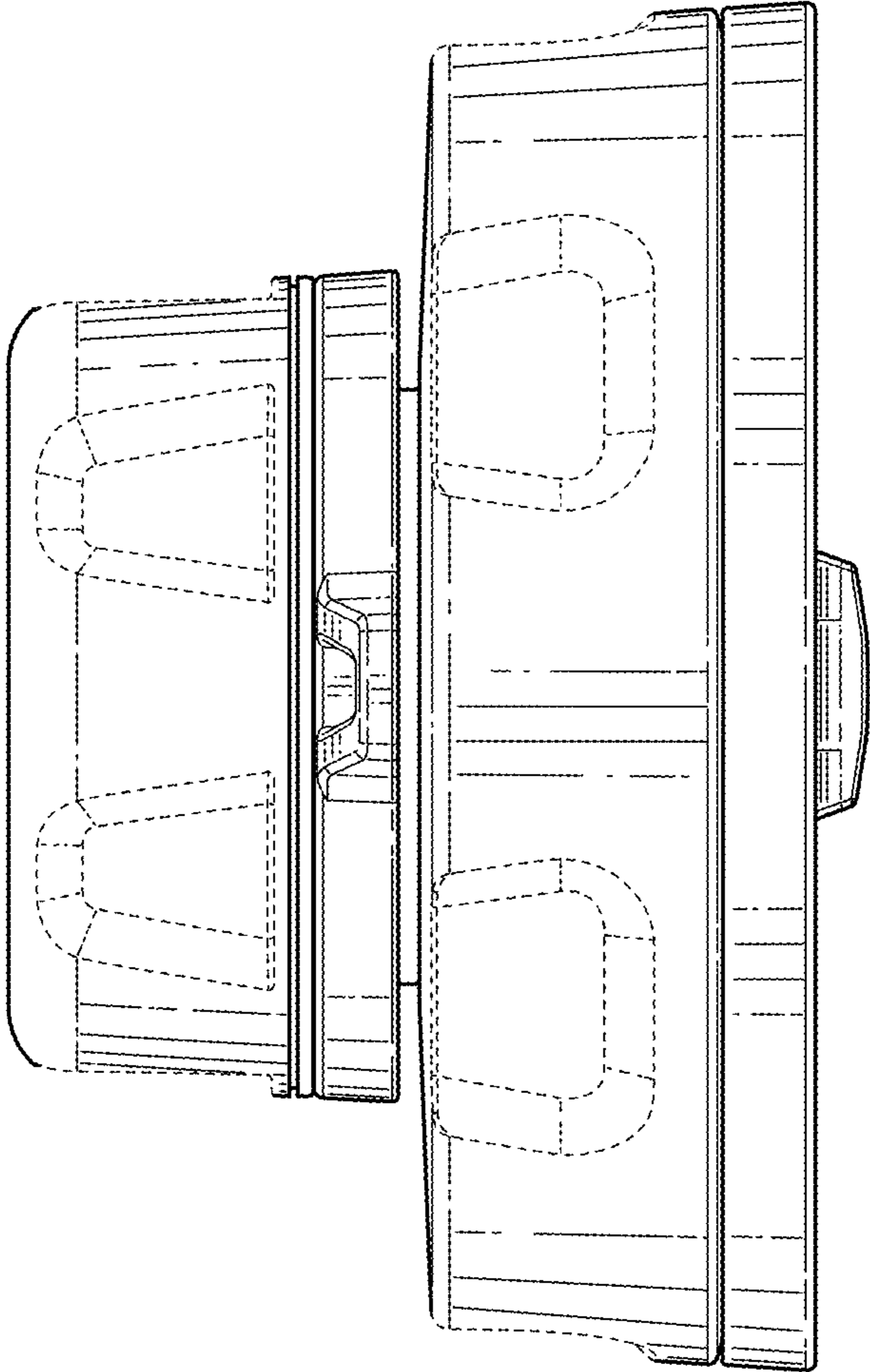


FIG. 1.4

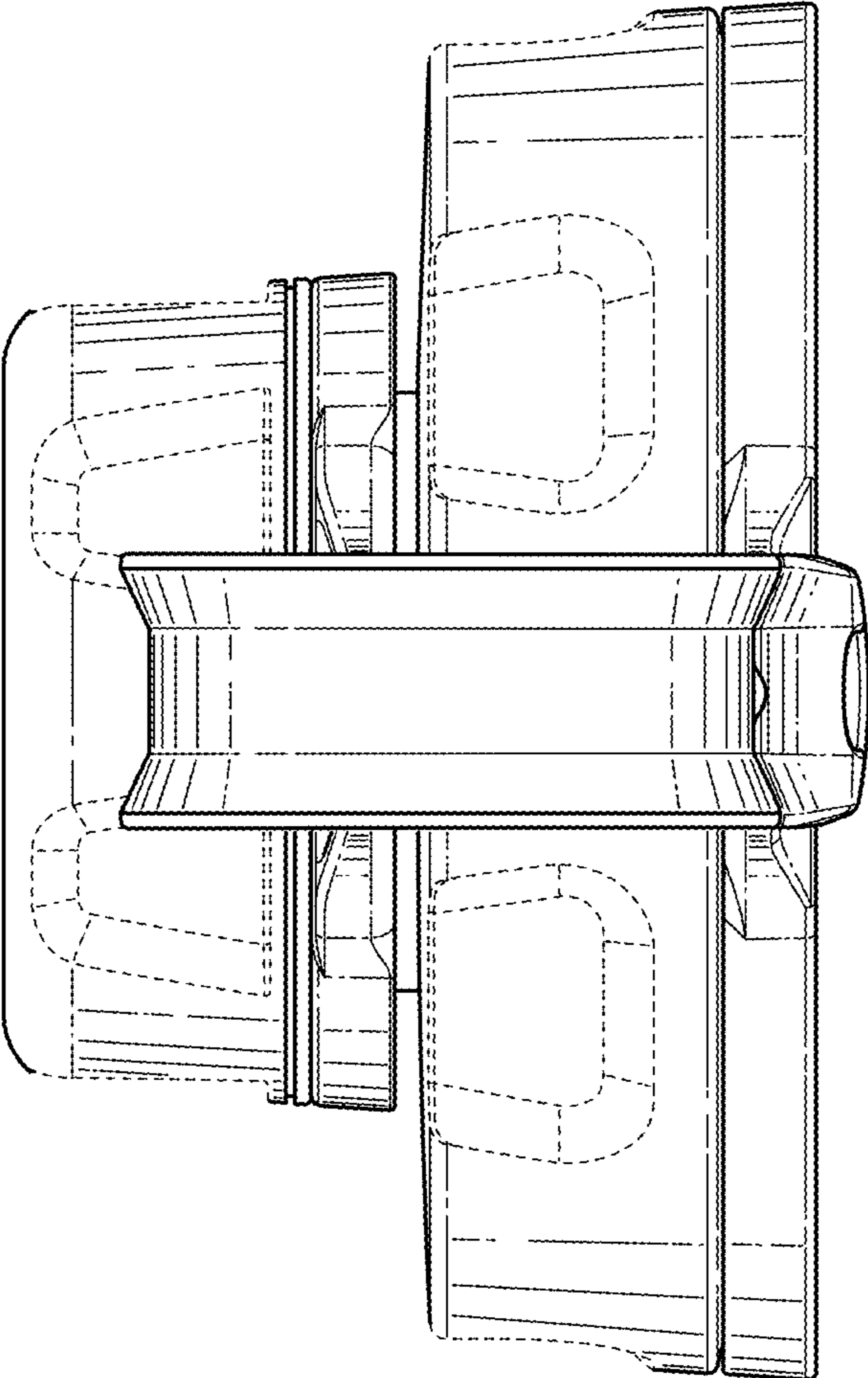


FIG. 1.5

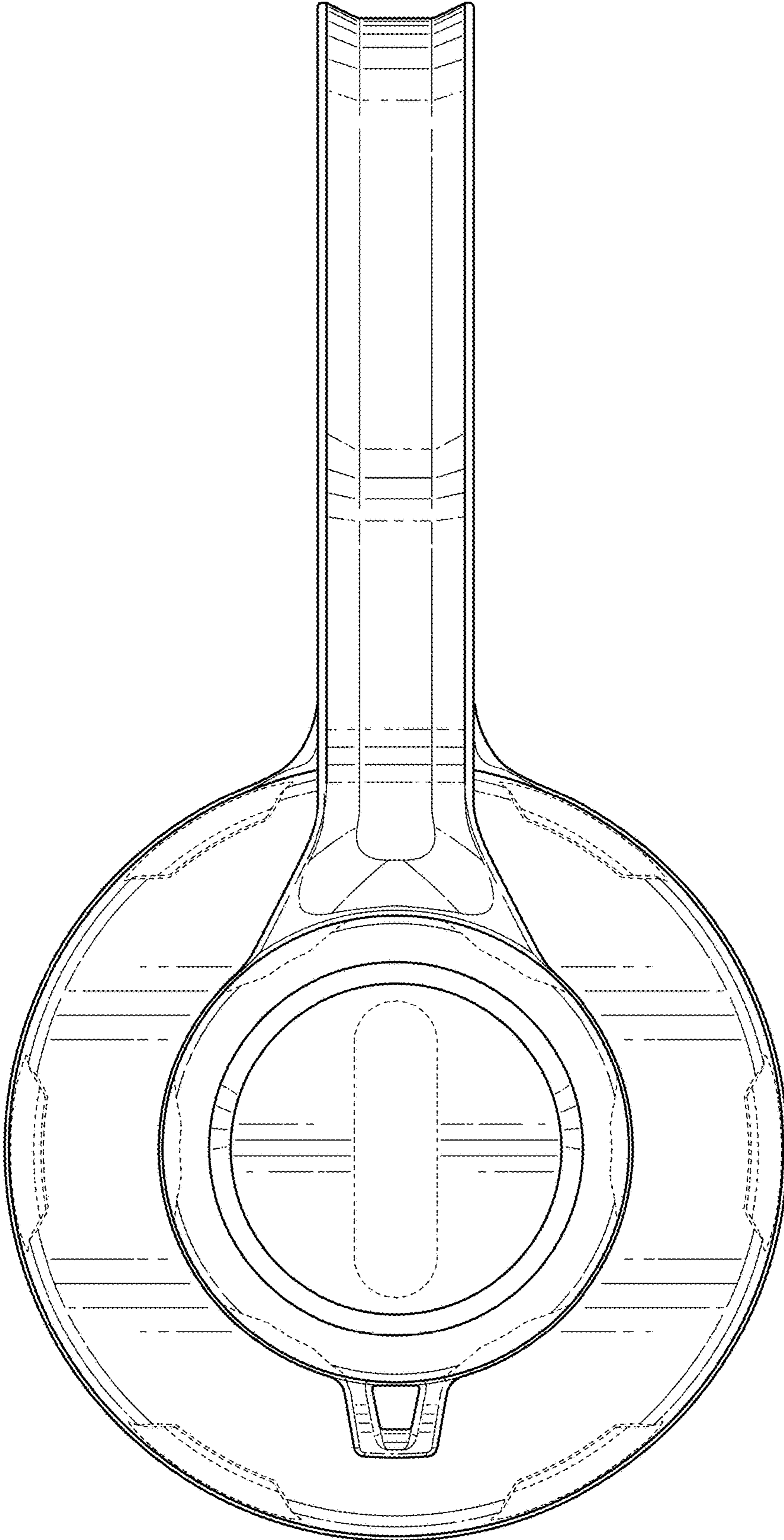


FIG. 1.6

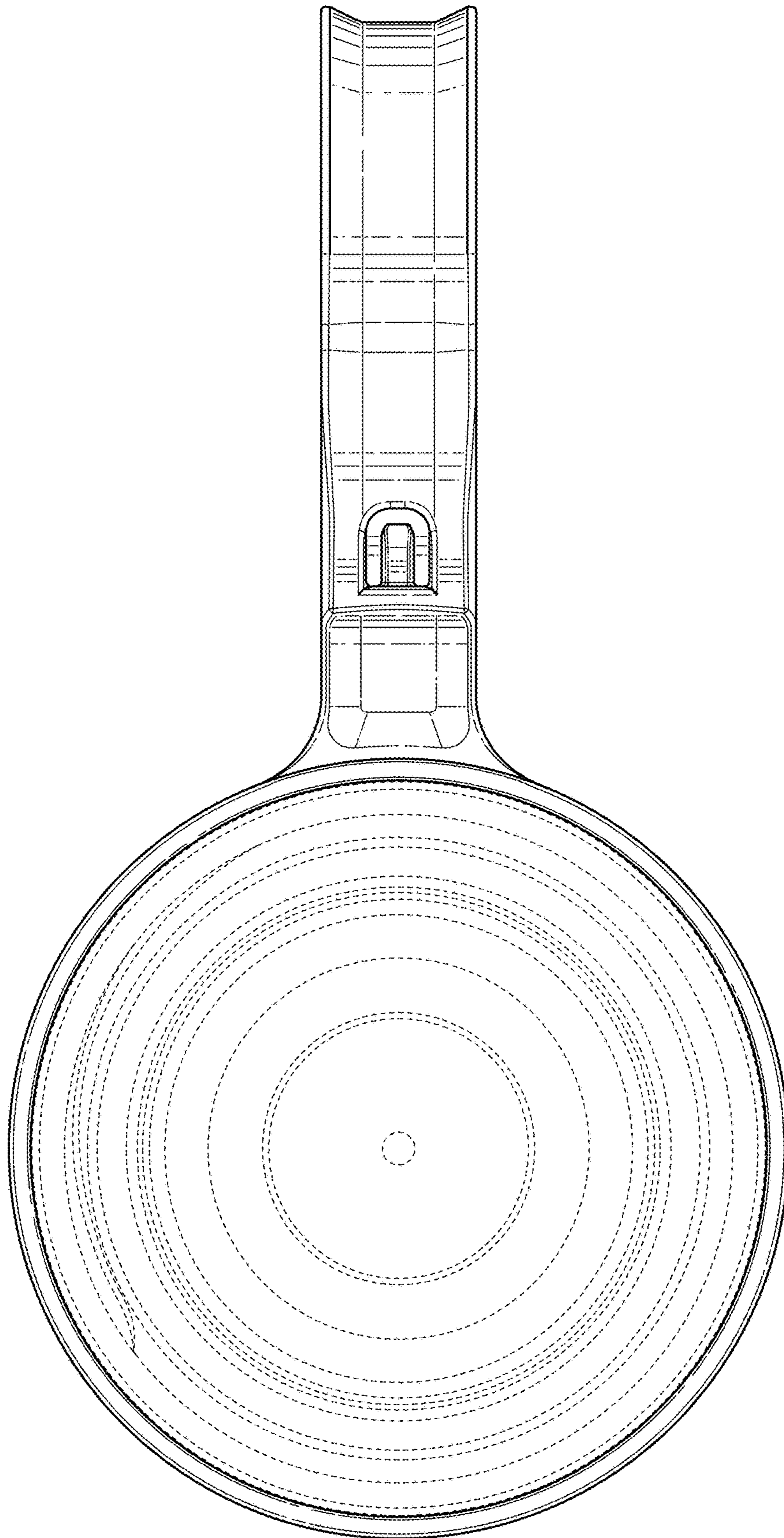


FIG. 1.7

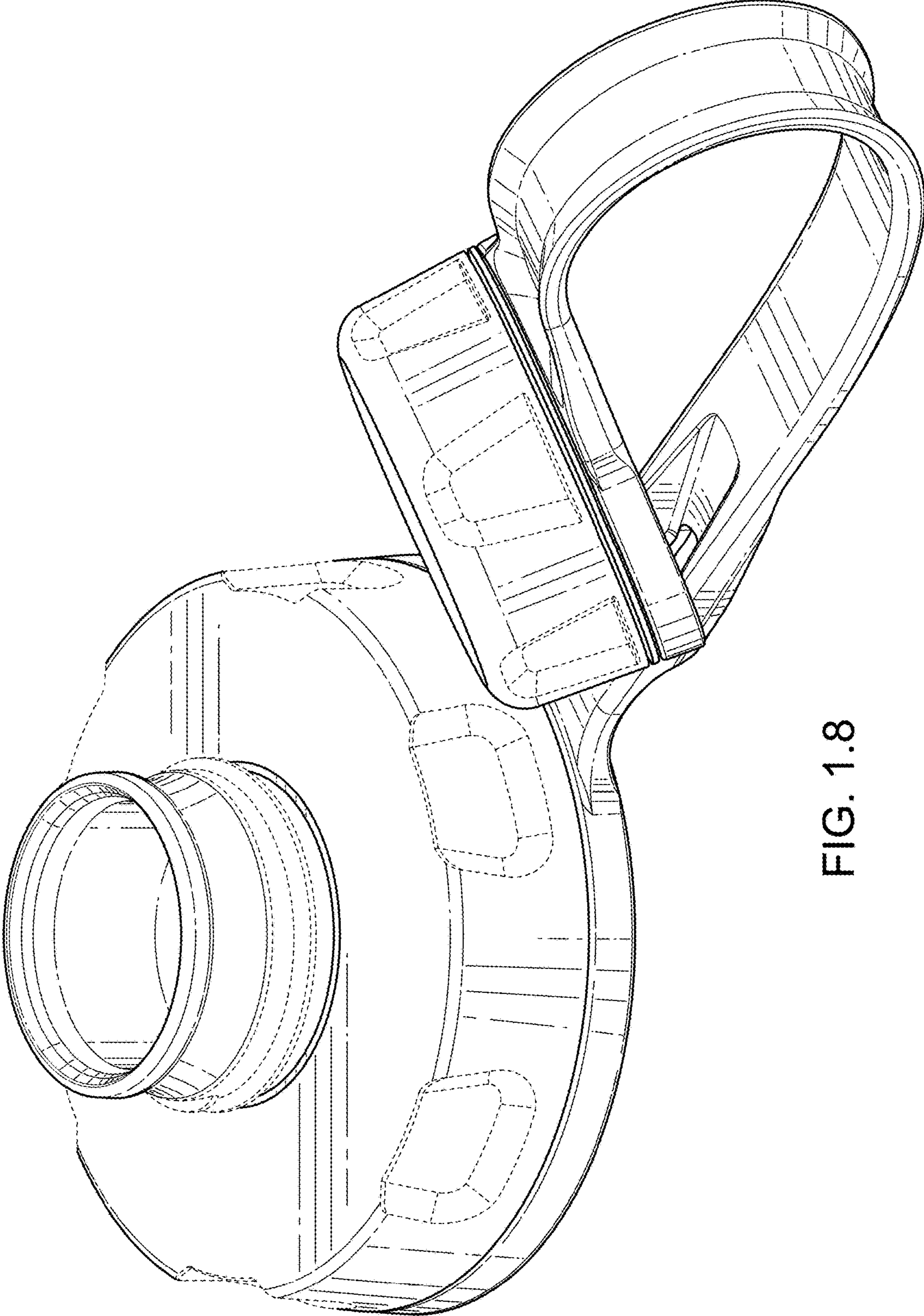


FIG. 1.8