



US00D825331S

(12) **United States Design Patent**
Thwaites et al.

(10) **Patent No.:** **US D825,331 S**
(45) **Date of Patent:** **** Aug. 14, 2018**

(54) **FRAGRANCE BOTTLE**

(71) Applicant: **Helio Scents, Inc.**, Vancouver (CA)

(72) Inventors: **Christian Thwaites**, Vancouver (CA);
Elena Sancho, Valencia (ES)

(73) Assignee: **Helio Scents, Inc.**, Vancouver (CA)

(**) Term: **15 Years**

(21) Appl. No.: **29/626,774**

(22) Filed: **Nov. 20, 2017**

Related U.S. Application Data

(62) Division of application No. 29/563,920, filed on May 9, 2016, now Pat. No. Des. 803,053.

(51) **LOC (11) Cl.** **09-07**

(52) **U.S. Cl.**

USPC **D9/443**; D9/448; D9/682

(58) **Field of Classification Search**

USPC D9/600–681, 715, 718, 722–783,
D9/500–504, 518–575, 414, 415,
D9/434–436, 439–454, 682–694, 505,
D9/516, 517, 719; D3/207–212; D11/1,
D11/2, 7, 26, 35, 79–88; D8/367–369,
D8/387, 397–399, 499; 215/200, 227,
215/228, 295, 296, 298, 305, 399;
220/212.5; D28/56, 57, 76, 77, 91.1

CPC B65D 23/001; B65D 23/003; B65D 23/10;
B65D 23/102; B65D 23/104; B65D
23/108; B65D 39/16; B65D 39/0047;
B65D 39/0094; B65D 41/0485; B65D
47/00; B65D 51/24; B65D 51/242; B65D
51/245; B65D 51/249; B65D 83/0088;
B65D 83/14; B65D 83/16; B65D 83/20;
B65D 83/202; B65D 83/205; B65D
83/207; B65D 83/28; B65D 83/38; B65D
83/384; B65D 83/388; B65D 83/40;
B65D 2251/02; B65D 2251/023; B65D
2251/04; B65D 2251/06; A45D 34/00;

A45D 34/02; A45D 2034/002; A45D
2034/005; A45D 2034/007; A45D
2200/05; B05B 11/00; B05B 11/0005;
B05B 11/0035; B05B 11/0037; B05B
11/0054; B05B 11/0059; B05B 11/0097;
B05B 11/3001; B05B 11/3042; B05B
11/3043; B05B 11/3045; B05B 11/3046;
B05B 11/3052

See application file for complete search history.

(56) **References Cited**

U.S. PATENT DOCUMENTS

D87,987 S *	10/1932	Wade	D9/533
2,140,231 A *	12/1938	Jefferis	A45D 29/22 132/73
D116,017 S	8/1939	Buckingham	
D121,807 S *	8/1940	Fender	D9/439
D140,350 S	2/1945	Rand	
2,606,699 A *	8/1952	Andricks	B67D 3/00 222/470
D201,649 S *	7/1965	Long	D9/448
D230,472 S	2/1974	Hayes	

(Continued)

Primary Examiner — Catherine A Tuttle

(74) *Attorney, Agent, or Firm* — Knobbe, Martens, Olson & Bear, LLP

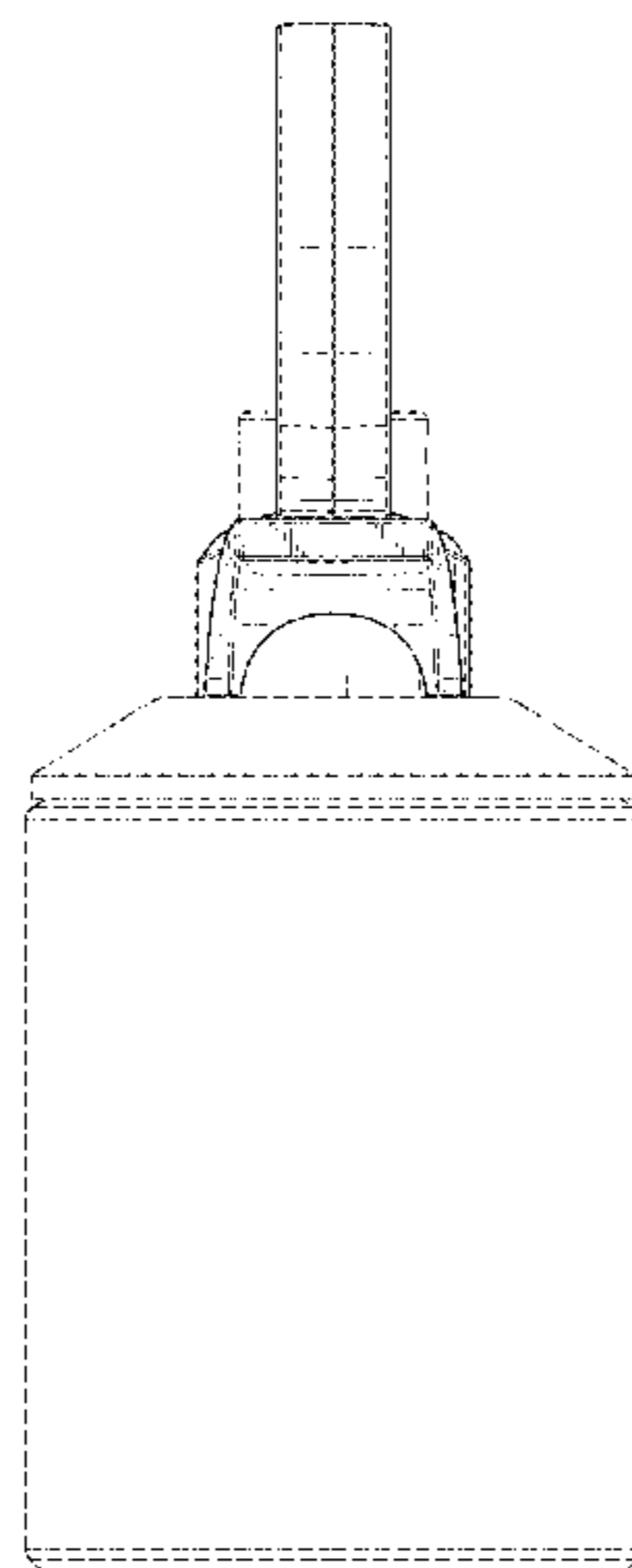
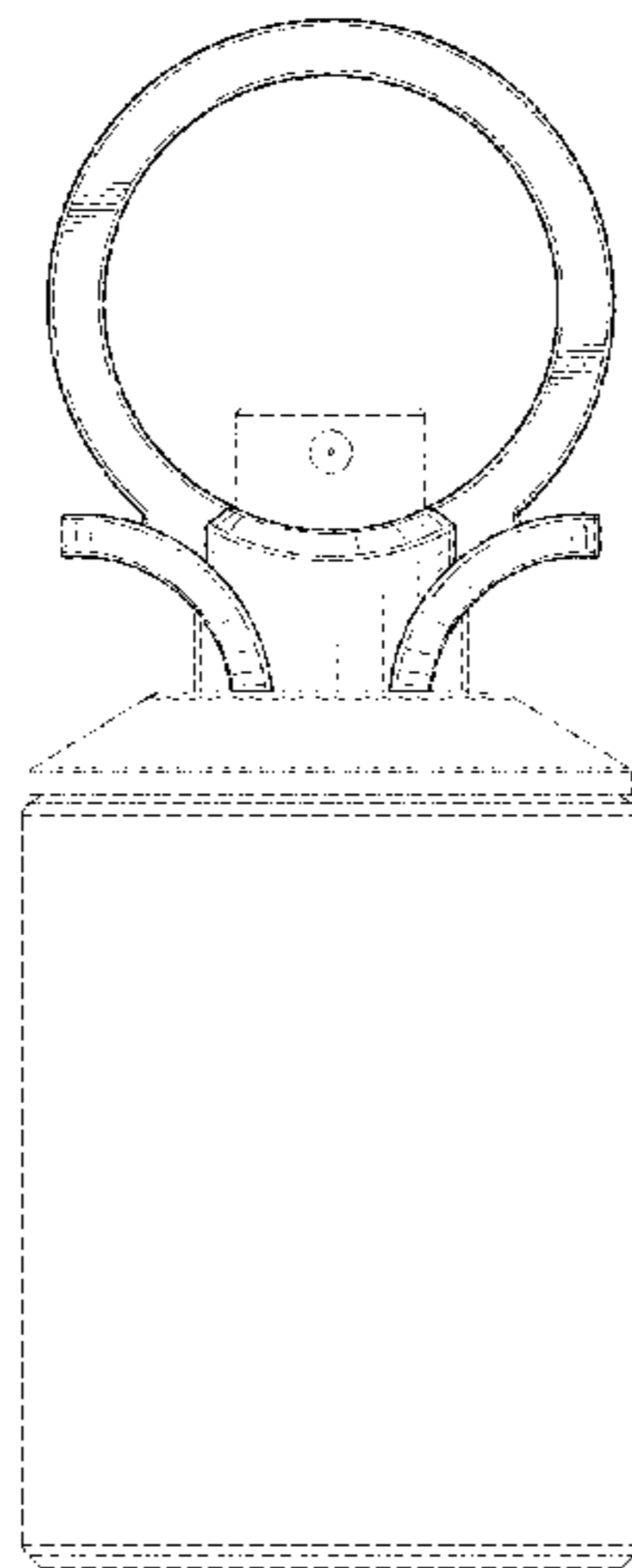
(57) **CLAIM**

The ornamental design for a fragrance bottle, as shown and described.

DESCRIPTION

FIG. 1 is a front view of a fragrance bottle embodying the new design; and,
FIG. 2 is a left side elevational view thereof.
The broken lines are included for the purpose of illustrating the portions of the fragrance bottle that form no part of the claimed design.

1 Claim, 2 Drawing Sheets



(56)

References Cited

U.S. PATENT DOCUMENTS

4,174,055 A *	11/1979	Capra	B05B 9/0883 222/319	6,276,568 B1 *	8/2001	Brotspies	B05B 11/3052 222/321.6
D255,420 S	6/1980	Rosen		D486,387 S	2/2004	Lee	
D276,140 S *	10/1984	Schultz	D9/533	D498,665 S	11/2004	Mansau	
D288,906 S *	3/1987	Strand	D9/533	D532,692 S	11/2006	Cornet et al.	
4,690,311 A *	9/1987	Schultz	B65D 23/10 215/398	D547,654 S	7/2007	Cornet et al.	
D296,522 S *	7/1988	Schneider	D9/434	D550,098 S	9/2007	Gerlach	
D315,022 S *	2/1991	Corby	D24/114	D592,072 S	5/2009	Mansau	
5,219,098 A *	6/1993	Tada	B05B 11/3001 222/153.06	D627,227 S *	11/2010	Andis	D7/510
5,390,829 A *	2/1995	Saito	B05B 11/3001 222/321.8	D666,093 S *	8/2012	Wang	D9/448
D371,735 S	7/1996	Motta		D676,319 S *	2/2013	Wadt	D9/448
5,709,320 A *	1/1998	Jimenez	B05B 11/00 222/153.13	D700,504 S *	3/2014	Blocker	D8/367
D394,803 S	6/1998	Desgrippes		D773,928 S *	12/2016	Trettin	D9/440
				D803,053 S *	11/2017	Thwaites	D9/443
				2002/0113073 A1 *	8/2002	Hamann	B65D 23/104 220/751
				2006/0151542 A1 *	7/2006	Taneko	B05B 11/0037 222/321.9
				2014/0202910 A1	7/2014	Hollander	

* cited by examiner

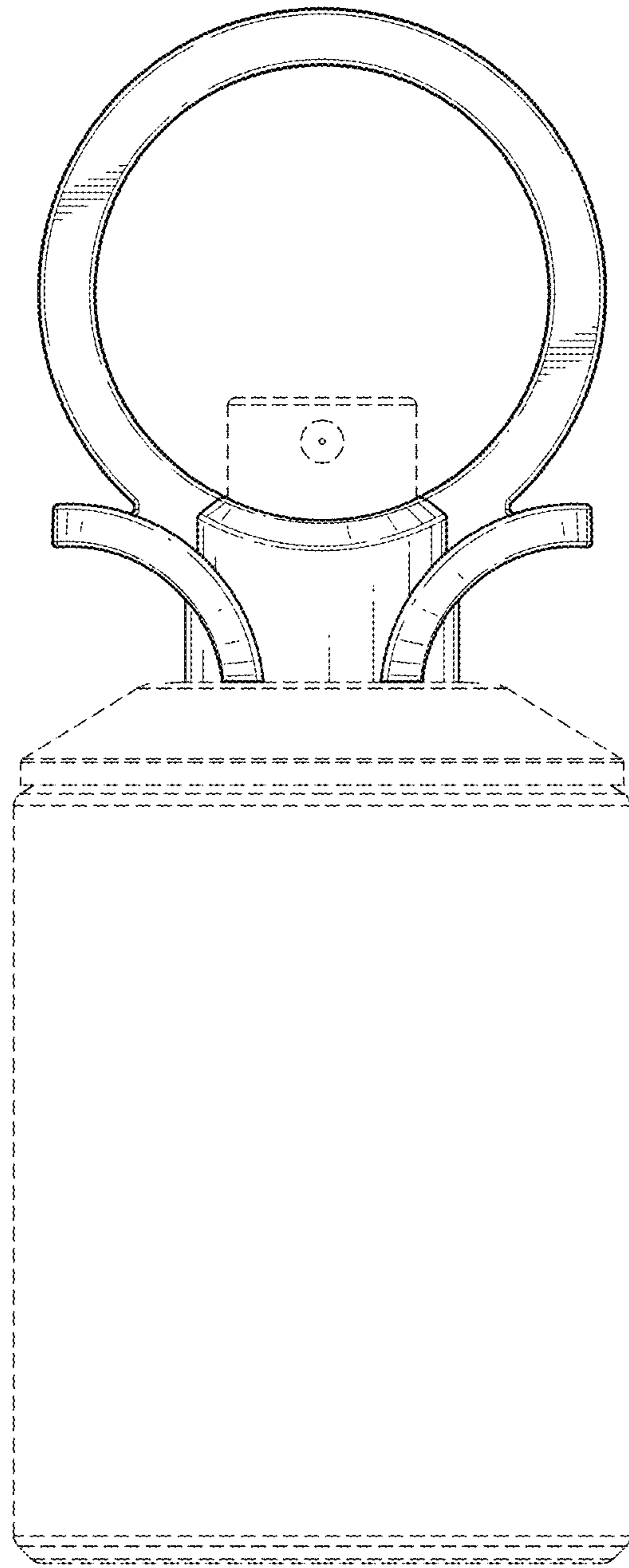


FIG. 1

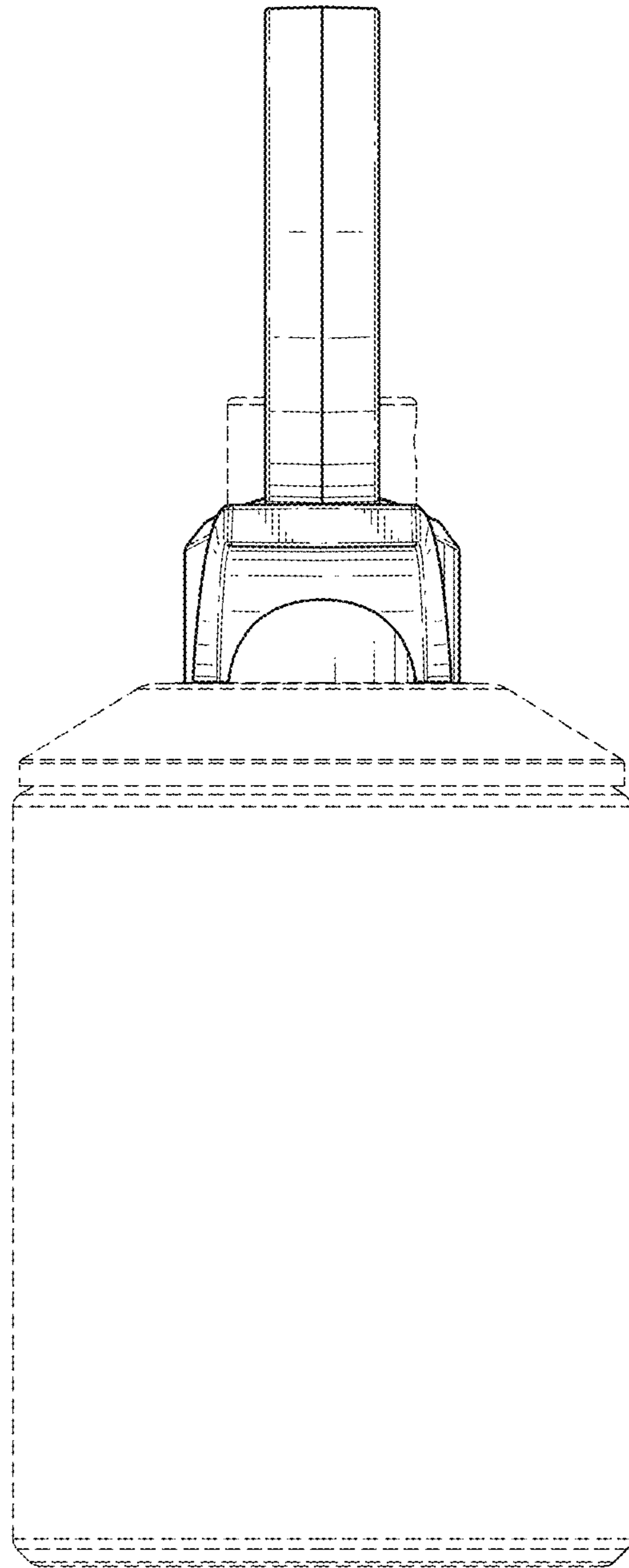


FIG. 2