



US00D825330S

(12) **United States Design Patent** (10) **Patent No.:** **US D825,330 S**
Tahmas (45) **Date of Patent:** **** Aug. 14, 2018**

(54) **COMBINED CONTAINER LID AND MEASURING SPOON**

D756,220 S * 5/2016 Park D9/452
D758,215 S * 6/2016 Yamazaki D10/46.2
D762,472 S * 8/2016 Tahmas D10/46.2
D764,915 S * 8/2016 Schwartz B65D 51/242
D9/443

(71) Applicant: **Hossai Tahmas**, Oceanside, CA (US)

(72) Inventor: **Hossai Tahmas**, Oceanside, CA (US)

(**) Term: **15 Years**

(21) Appl. No.: **29/572,946**

(22) Filed: **Aug. 1, 2016**

Related U.S. Application Data

(63) Continuation-in-part of application No. 29/486,376, filed on Mar. 28, 2014, now Pat. No. Des. 762,472.

(51) **LOC (11) Cl.** **09-07**

(52) **U.S. Cl.**
USPC **D9/436; D10/46.2**

(58) **Field of Classification Search**
USPC D7/391, 392, 392.1, 393, 397, 538, 602,
D7/629, 643, 705; D9/424, 428, 430,
D9/432, 435, 436, 443, 449, 452, 453,
D9/504, 711, 715; D10/46.2, 46.3;
D24/116

CPC B65D 51/246; B65D 2543/0049
See application file for complete search history.

(56) **References Cited**

U.S. PATENT DOCUMENTS

2,149,698 A * 3/1939 Humphrey B65D 51/246
D7/643
D156,814 S * 1/1950 Chester D10/46.3
D176,160 S * 11/1955 Seibert, Jr. D7/653
D212,379 S * 10/1968 Dudas et al. D7/393
D412,448 S * 8/1999 Bentson D10/46.2
7,644,832 B1 * 1/2010 Tsengas B65D 43/0208
220/212
D732,902 S * 6/2015 Ebli D7/653
D748,503 S * 2/2016 Gora D10/46.2
D750,427 S * 3/2016 Kautto D7/392.1

OTHER PUBLICATIONS

“Medicine Spoon Maw Son & Thompson 1873”. Found online Aug. 12, 2015 at phisick.com. Page dated Mar. 22, 1873. Retrieved from <http://phisick.com/item/medicine-spoon-maw-son-thompson-1873/>.*

“Laboratory Containers”. Found online Aug. 12, 2015 at southpointesurgical.com. Page dated Mar. 1, 2012. Retrieved from http://web.archive.org/web/20120301134825/http://www.southpointesurgical.com/gl_containers.aspx.*

“Behold—The Devil”. Found online Aug. 12, 2015 at dsharp.typepad.com. Page dated Oct. 25, 2007. Retrieved from <http://dsharp.typepad.com/dsharp/2007/10/post-2.html>.*

* cited by examiner

Primary Examiner — George D. Kirschbaum
Assistant Examiner — Kendra Leslie Hamilton
(74) *Attorney, Agent, or Firm* — Nath, Goldberg & Meyer; Jerald L. Meyer

(57) **CLAIM**

The ornamental design for a combined container lid and measuring spoon, as shown and described.

DESCRIPTION

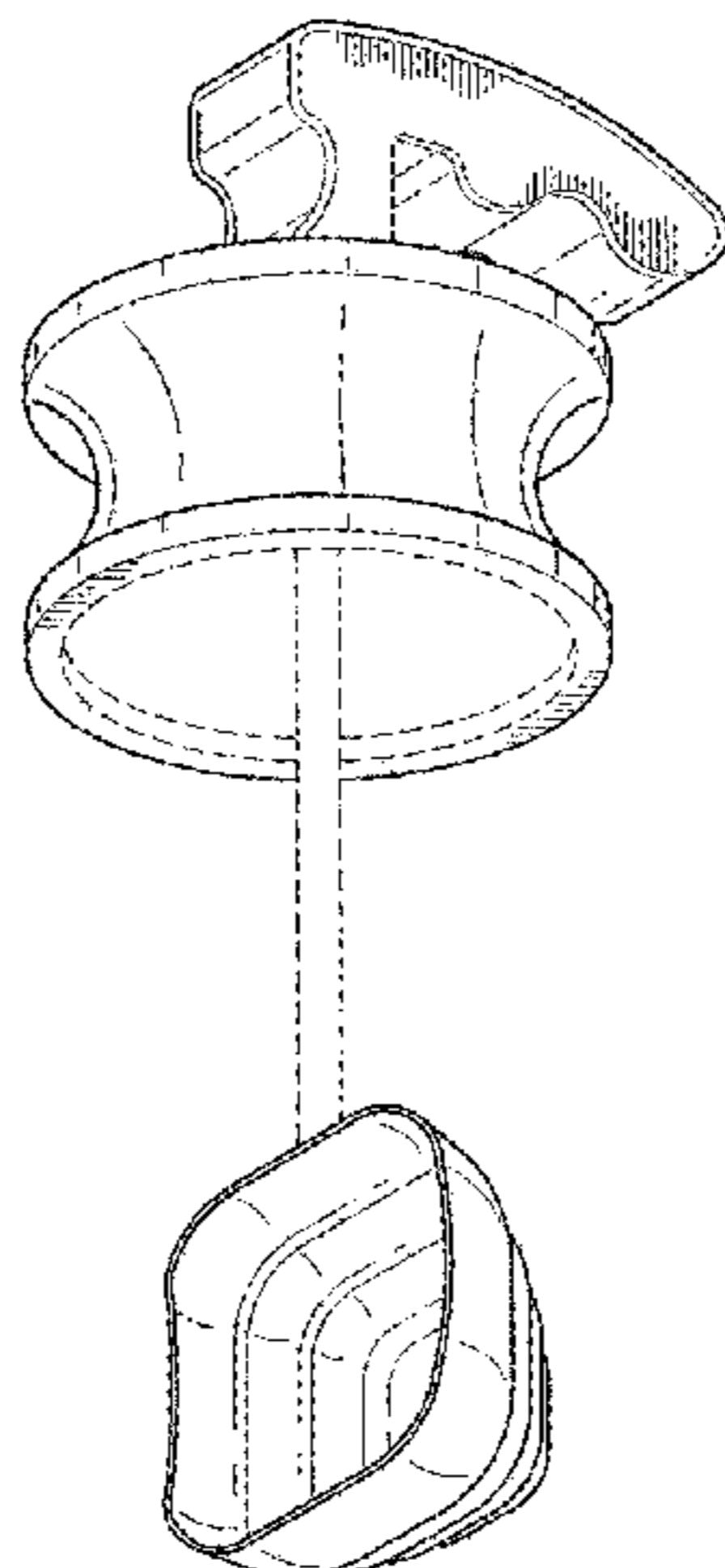
FIG. 1 is a bottom front left side perspective view of a combined container lid and measuring spoon, showing my new design;

FIG. 2 is a left side view thereof, the right side view being a mirror image; and,

FIG. 3 is a front view thereof.

The broken lines in the drawings represent unclaimed subject matter and form no part of the claim.

1 Claim, 1 Drawing Sheet



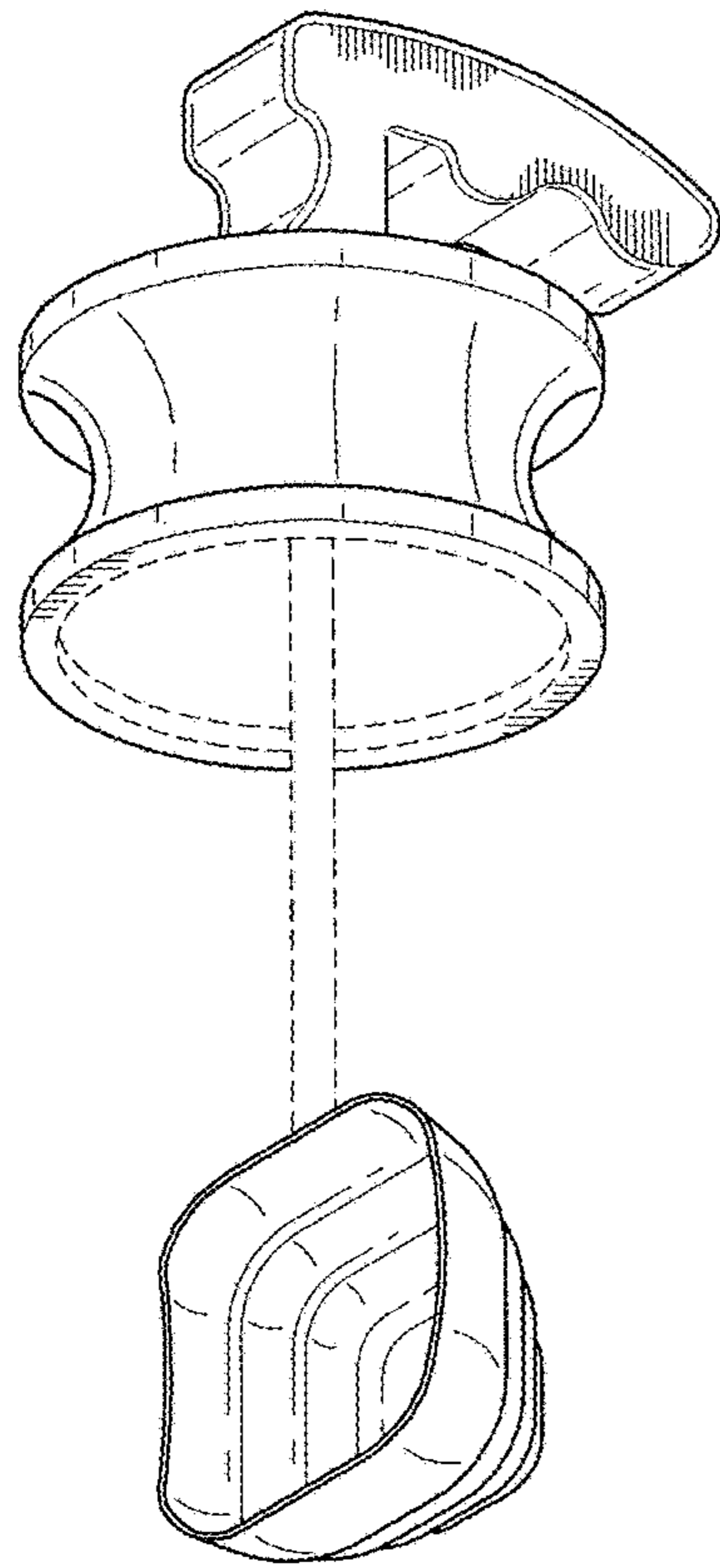


FIG. 1

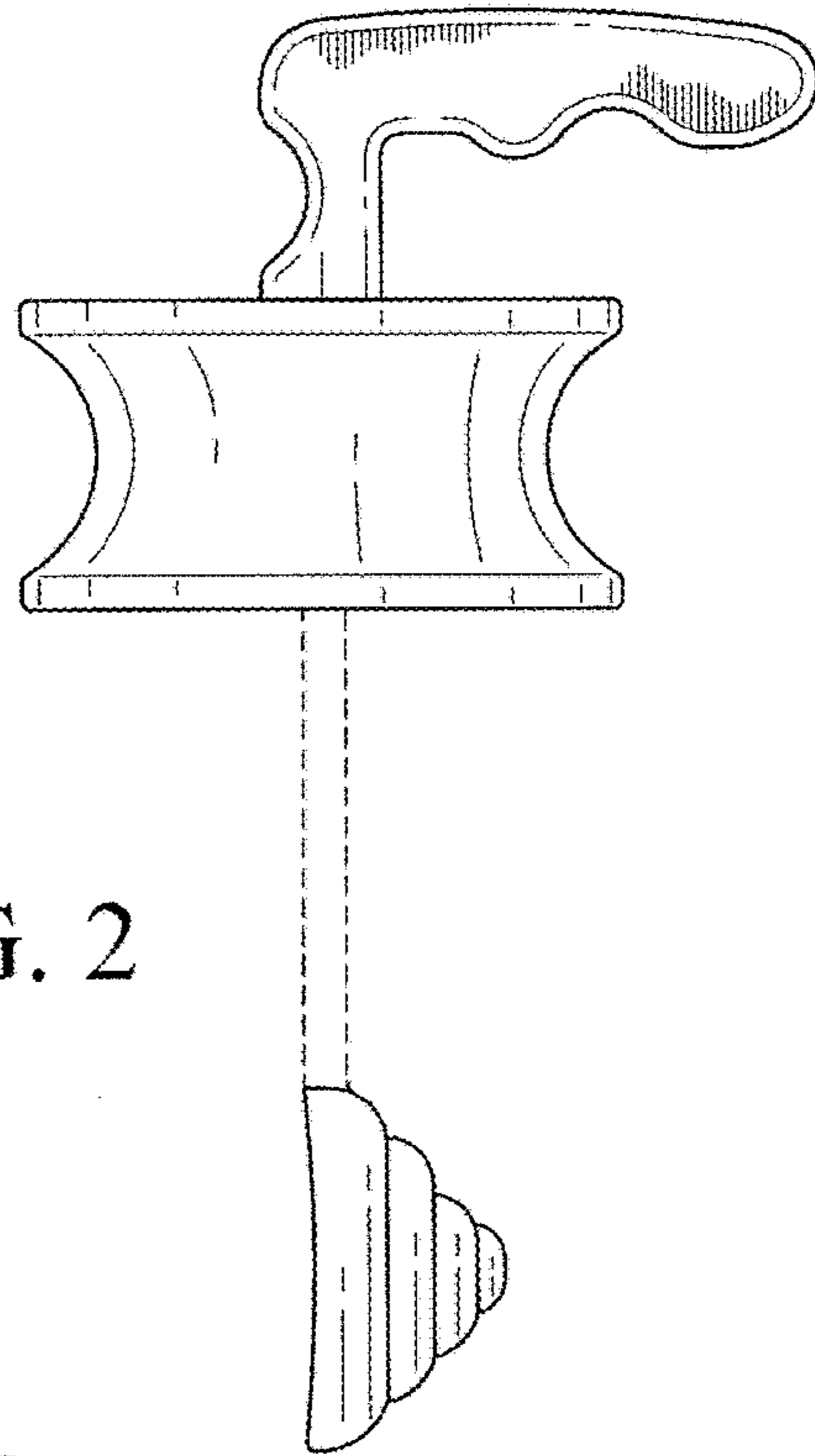


FIG. 2

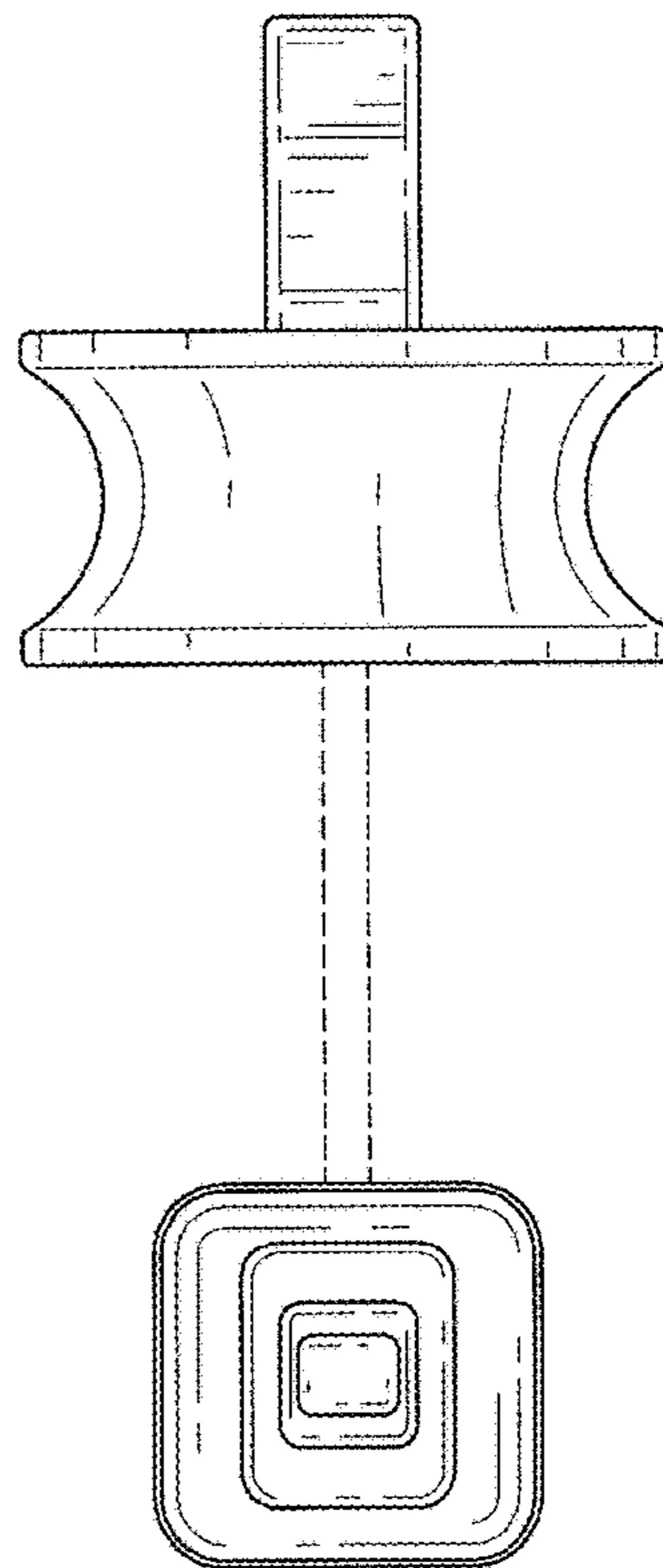


FIG. 3