

US00D825327S

(12) **United States Design Patent**
Drouet et al.

(10) **Patent No.:** **US D825,327 S**
(45) **Date of Patent:** **** Aug. 14, 2018**

(54) **BAG-IN-BOX**

(71) Applicant: **Metsä Board Corporation**, Espoo (FI)

(72) Inventors: **Cyril Drouet**, Äänekoski (FI); **Alan Li**,
Äänekoski (FI)

(73) Assignee: **METSÄ BOARD CORPORATION**,
Espoo (FI)

(**) Term: **15 Years**

(21) Appl. No.: **29/583,004**

(22) Filed: **Nov. 1, 2016**

(30) **Foreign Application Priority Data**

May 2, 2016 (EM) 003105329

(51) **LOC (11) Cl.** **09-03**

(52) **U.S. Cl.**
USPC **D9/432; D9/414**

(58) **Field of Classification Search**
USPC D3/201, 203.1, 203.5, 203.6; D7/601,
D7/602, 609; D9/414–416, 418–423,
D9/425, 426, 430–436, 444, 455–457,
D9/499

CPC B65D 5/74; B65D 5/02
See application file for complete search history.

(56) **References Cited**

U.S. PATENT DOCUMENTS

D242,901 S *	1/1977	Lohrbach	D9/432
D367,816 S *	3/1996	Cai	D9/431
D576,482 S *	9/2008	DeBusk	D9/416
D640,128 S *	6/2011	Harshman	D9/418
D688,939 S *	9/2013	Pearson	D9/431
D693,216 S *	11/2013	Sill	D9/418

D693,676 S *	11/2013	Pearson	D9/431
D693,677 S *	11/2013	Pearson	D9/431
9,567,130 B1 *	2/2017	Drouet	B65D 5/52
D789,783 S *	6/2017	DeBusk	D9/418
2017/0174410 A1 *	6/2017	Drouet	B65D 77/067

OTHER PUBLICATIONS

MetsaBoard. Box wines showing all the right signs. Oct. 2016 [earliest online date], [site visited Aug. 9, 2017]. Available from Internet, <URL:http://www.metsaboard.com/Media/Metsa-Board-Magazine/Pages/box-wines-showing-all-the-right-signs.aspx>.*

* cited by examiner

Primary Examiner — Eric L Goodman
Assistant Examiner — Darcey E Hefflin

(74) *Attorney, Agent, or Firm* — Birch, Stewart, Kolasch & Birch, LLP

(57) **CLAIM**

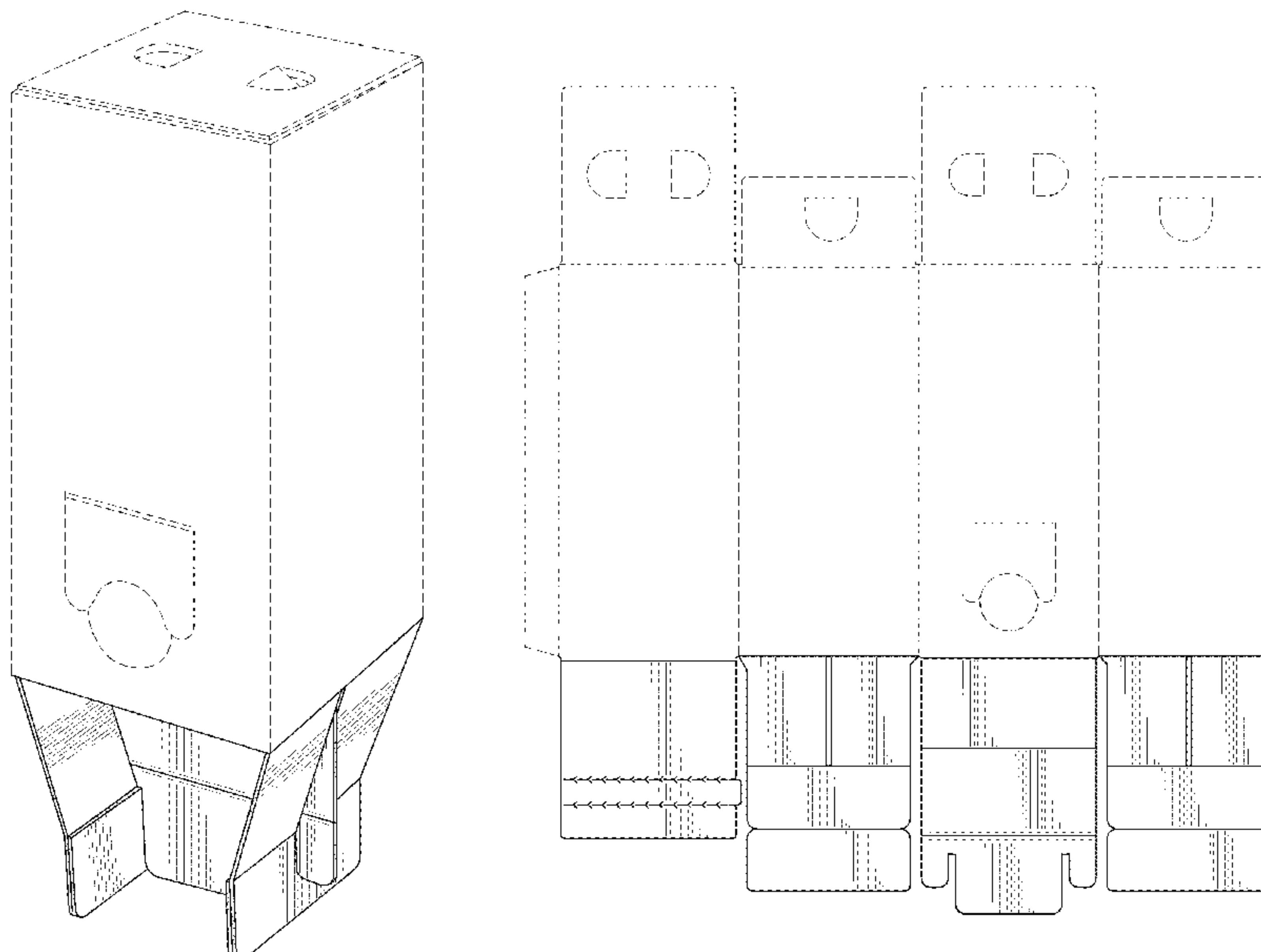
The ornamental design for a bag-in-box, as shown and described.

DESCRIPTION

FIG. 1 is a front perspective view of a bag-in-box showing our new design;
FIG. 2 is a front elevational view thereof;
FIG. 3 is a rear elevational view thereof;
FIG. 4 is a right side elevational view thereof;
FIG. 5 is a left side elevational view thereof;
FIG. 6 is a bottom plan view thereof;
FIG. 7 is top plan view thereof; and,
FIG. 8 is a view illustrating the bag-in-box in an unfolded state.

In the drawings, the broken lines showing portions of a bag-in-box depict environment and form no part of the claim.

1 Claim, 8 Drawing Sheets



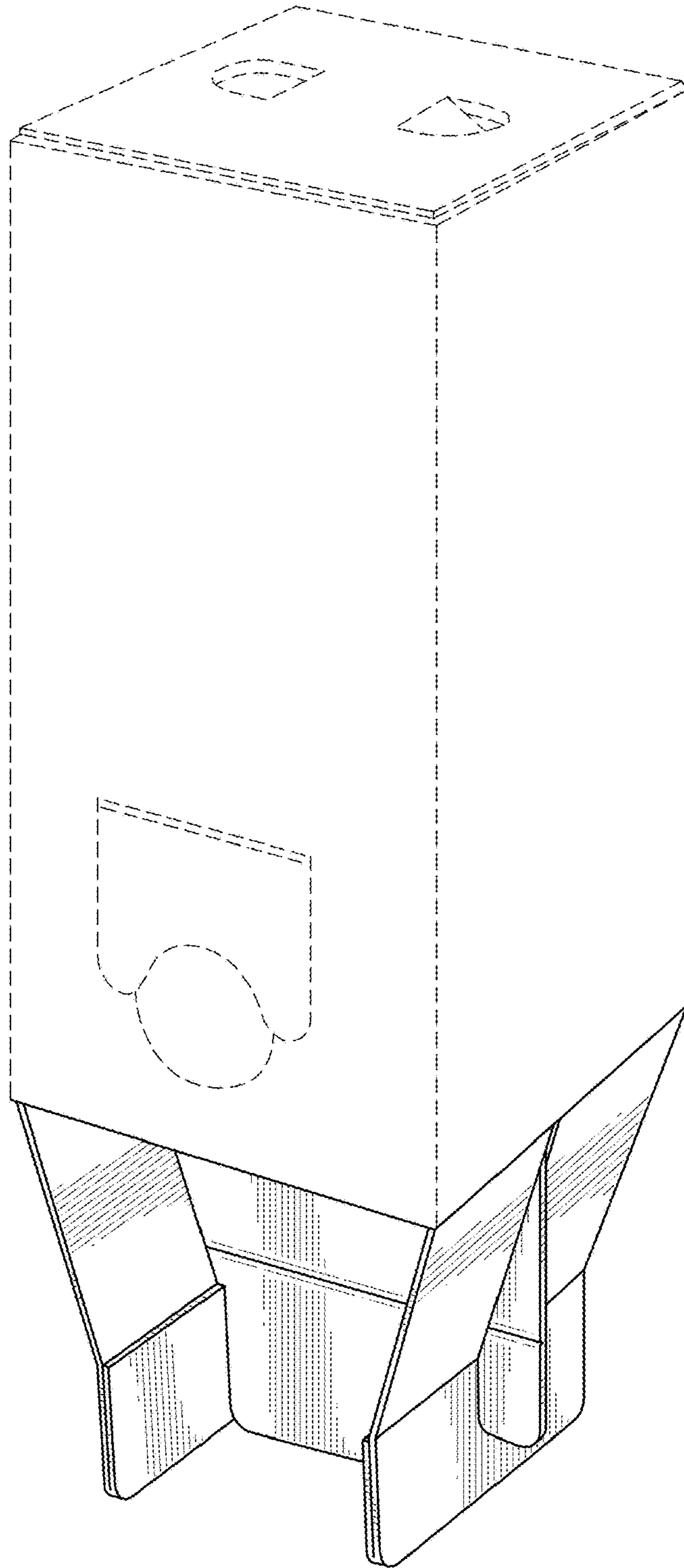


FIG.1

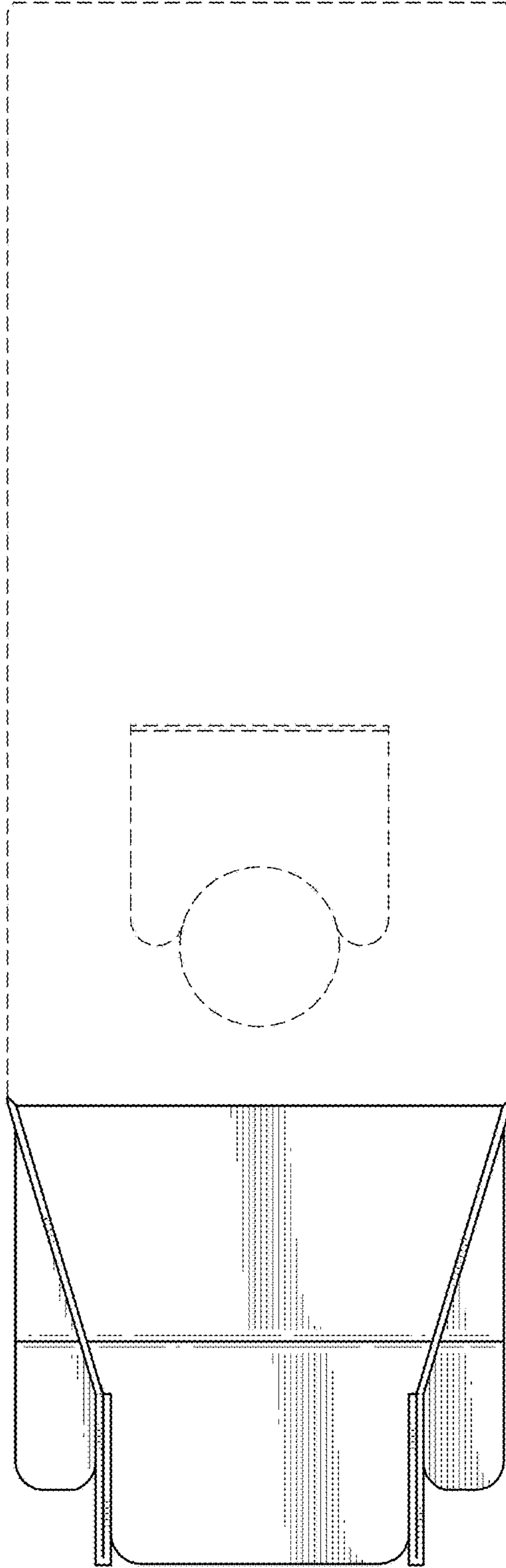


FIG.2

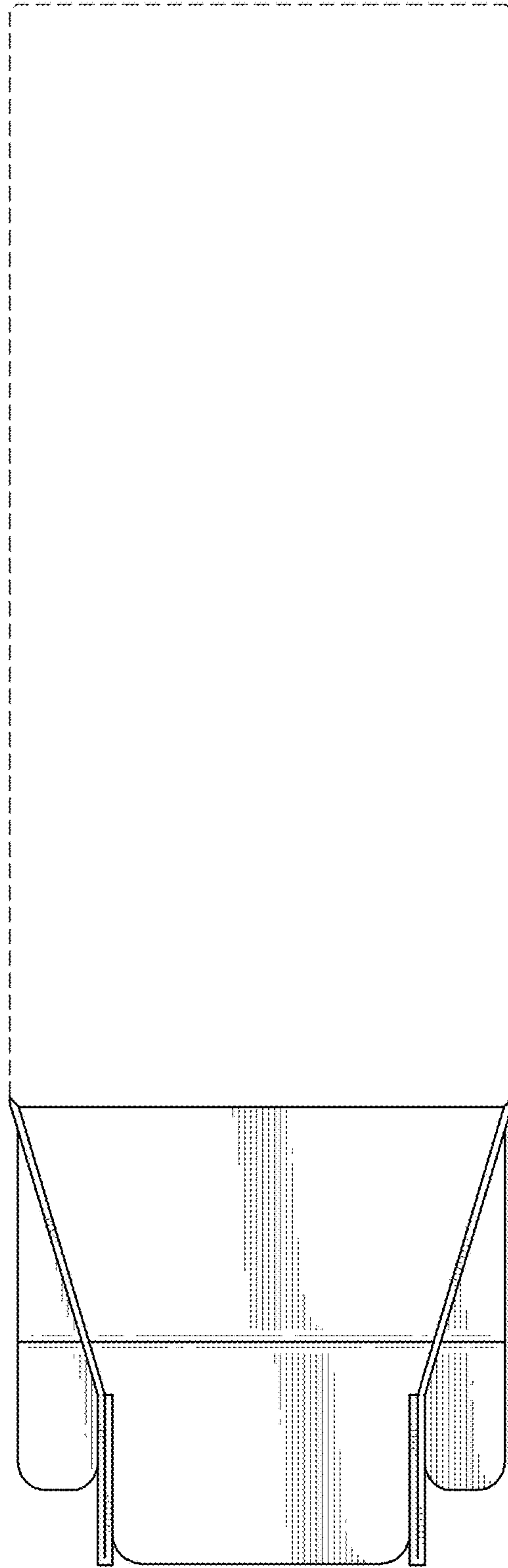


FIG.3

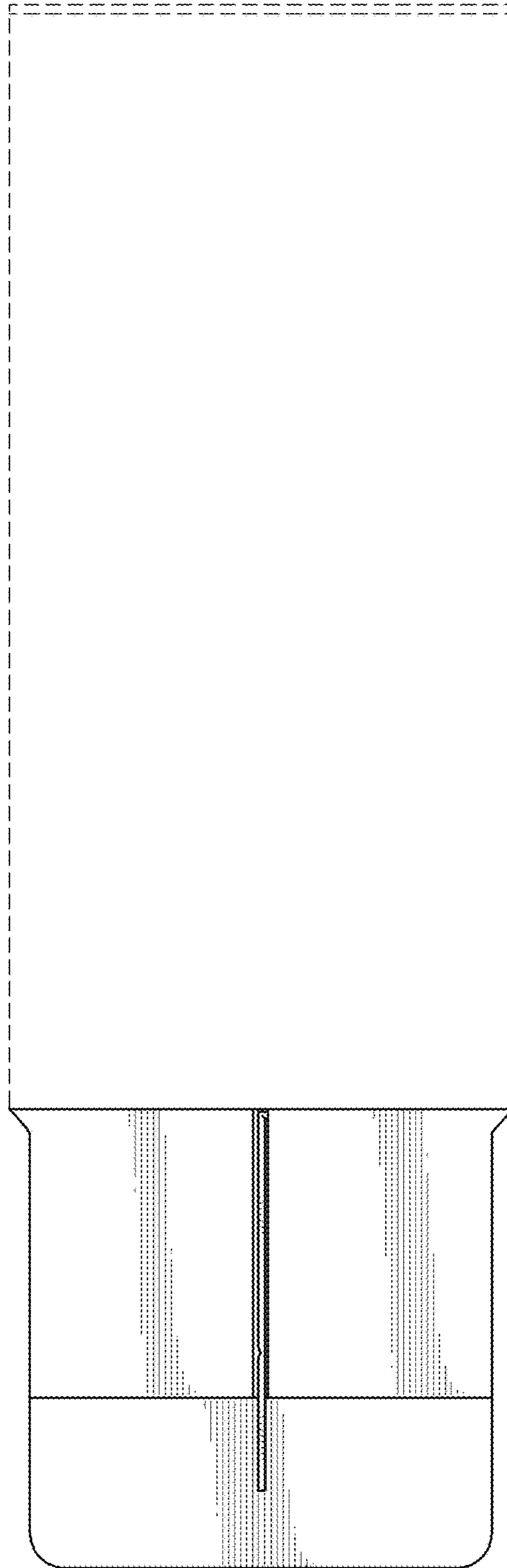


FIG.4

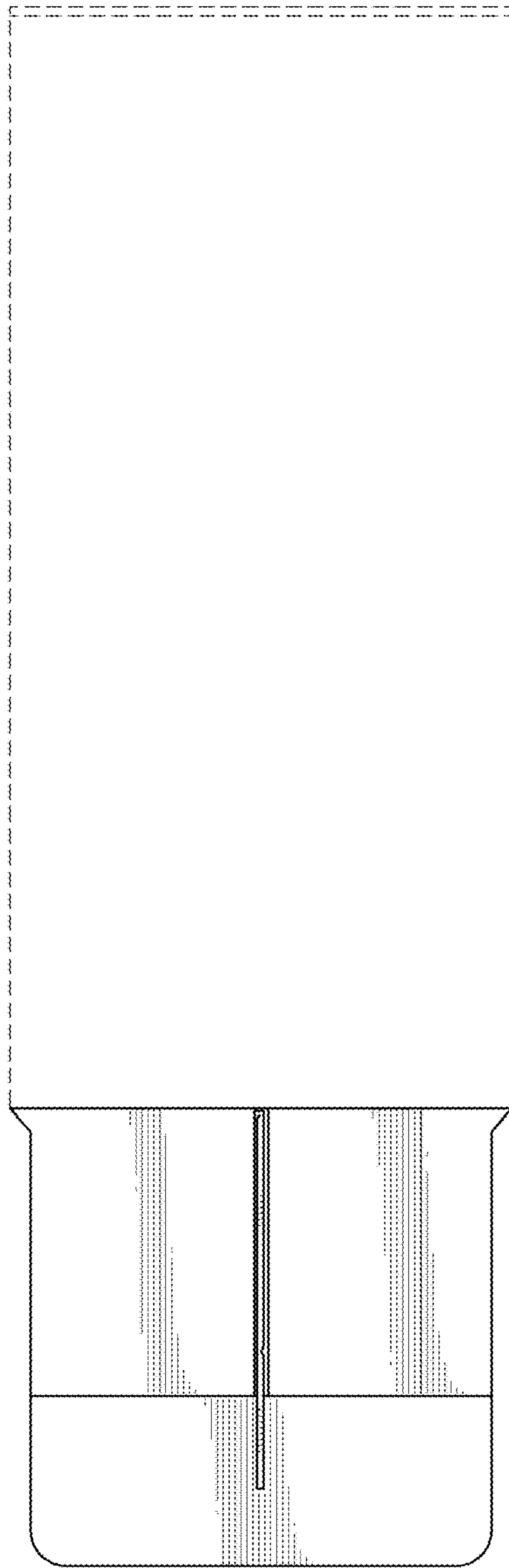


FIG.5

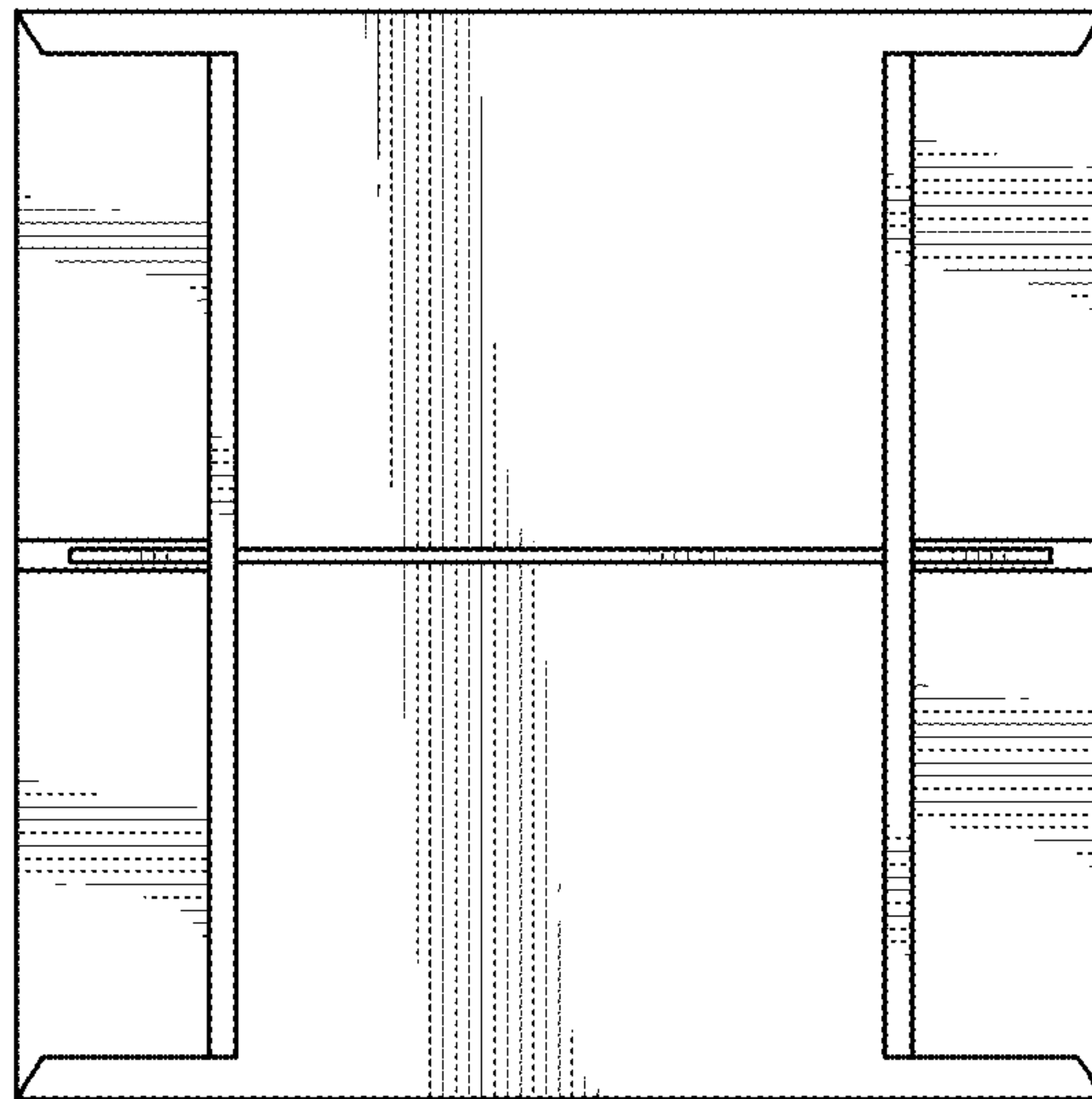


FIG. 6

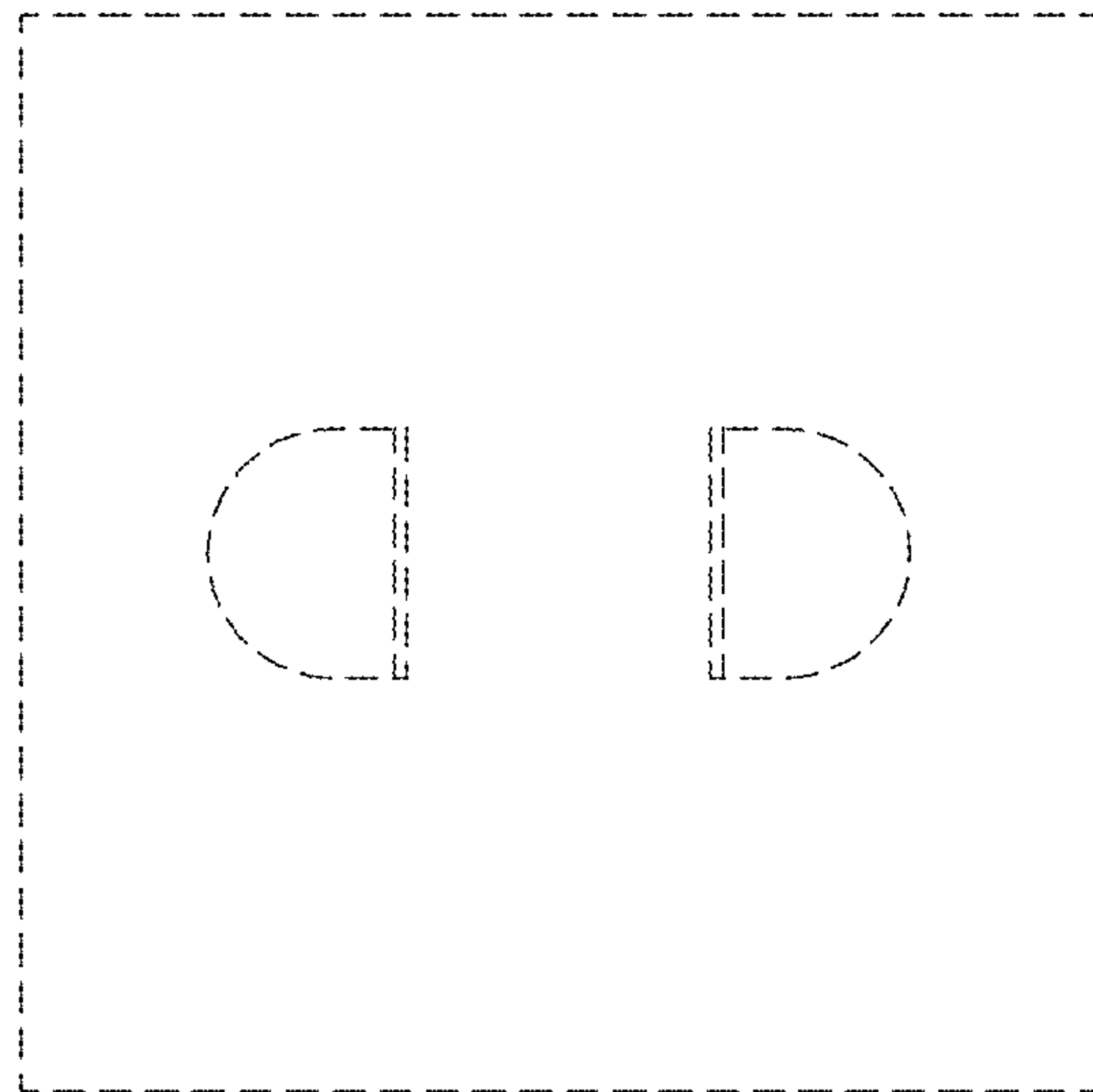


FIG.7

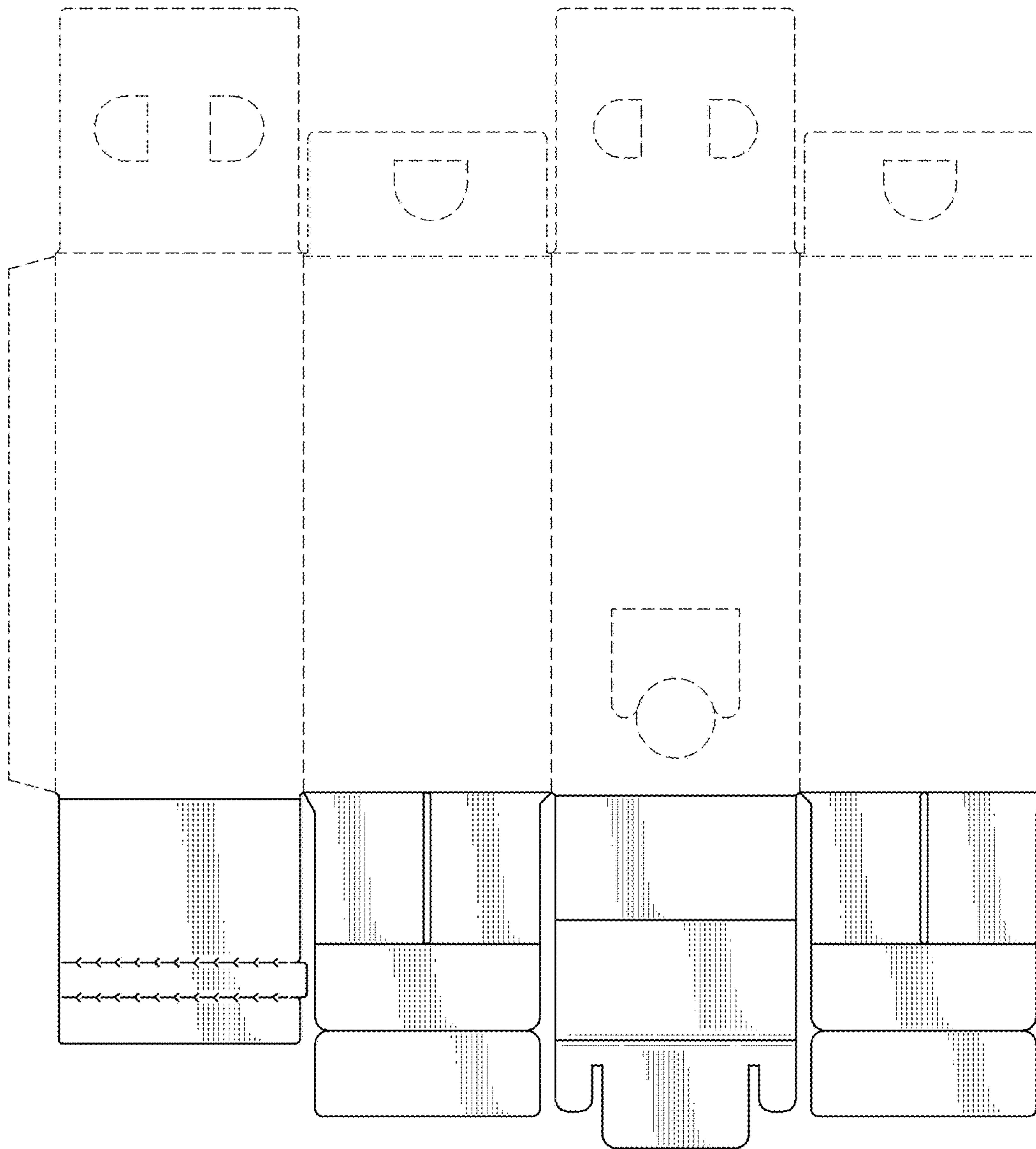


FIG.8