



US00D825325S

(12) **United States Design Patent** (10) **Patent No.:** **US D825,325 S**  
**Maxwell et al.** (45) **Date of Patent:** **\*\* Aug. 14, 2018**

(54) **CONTAINER**  
(71) Applicant: **Rubbermaid Incorporated**, Atlanta, GA (US)  
(72) Inventors: **Kathryn Maxwell**, Charlotte, NC (US); **Kenneth W. Hull**, Huntersville, NC (US); **Mitren Thakor**, Atlanta, GA (US); **Greg Shoemaker**, Cornelius, NC (US); **Timothy Pierzynski**, Apple Creek, OH (US); **Mark Alan Zavada**, Kalamazoo, MI (US)

(73) Assignee: **Rubbermaid Incorporated**, Huntersville, NC (US)

(\*\*) Term: **15 Years**

(21) Appl. No.: **29/618,194**

(22) Filed: **Sep. 19, 2017**

(51) **LOC (11) Cl.** ..... **09-03**

(52) **U.S. Cl.**  
USPC ..... **D9/424**

(58) **Field of Classification Search**  
USPC ..... D9/414, 424, 425, 432, 721; D7/601, D7/602, 629; D3/201, 203.3, 205, 206, D3/273, 302  
CPC ..... A45C 2011/002; A45C 11/00; A45C 2011/003; B65D 85/00; B65D 81/022; B65D 2543/00194; B65D 81/05; B65D 2543/00296; B65D 2251/105; B65D 77/02; B65D 51/249; B65D 2543/00101  
See application file for complete search history.

(56) **References Cited**

**U.S. PATENT DOCUMENTS**

D289,262 S \* 4/1987 Goetz ..... D9/420  
4,892,220 A \* 1/1990 Foos ..... B65D 43/162  
206/815

4,917,261 A \* 4/1990 Borst ..... B65D 43/162  
220/324  
D351,791 S \* 10/1994 Morris, Sr. .... D9/425  
D367,211 S \* 2/1996 Cautereels ..... D3/294  
D371,962 S \* 7/1996 Petruzzi ..... D9/423  
D406,463 S \* 3/1999 Rutledge ..... D3/302  
D467,730 S \* 12/2002 Ekerot ..... D3/273  
D474,596 S \* 5/2003 Osiecki ..... D3/273  
D501,720 S \* 2/2005 Hussaini ..... D3/273  
D569,103 S \* 5/2008 Hoge ..... D3/273  
D592,948 S \* 5/2009 Mayer ..... D23/359  
D638,701 S \* 5/2011 Shapiro ..... D9/428  
D639,154 S \* 6/2011 Chen ..... D9/424  
D665,662 S \* 8/2012 Schick ..... D9/425  
D696,560 S \* 12/2013 Song ..... D7/629  
D732,265 S \* 6/2015 Osiecki ..... D99/28  
D742,737 S \* 11/2015 Huang ..... D9/425  
D748,440 S \* 2/2016 Stamper ..... D7/629  
D759,434 S \* 6/2016 Duvigneau ..... D7/615  
D790,219 S \* 6/2017 Huang ..... D3/276  
2007/0235460 A1 \* 10/2007 Killinger ..... E05C 19/145  
220/675

(Continued)

*Primary Examiner* — Lauren R Calve

(74) *Attorney, Agent, or Firm* — Jessica Kattula

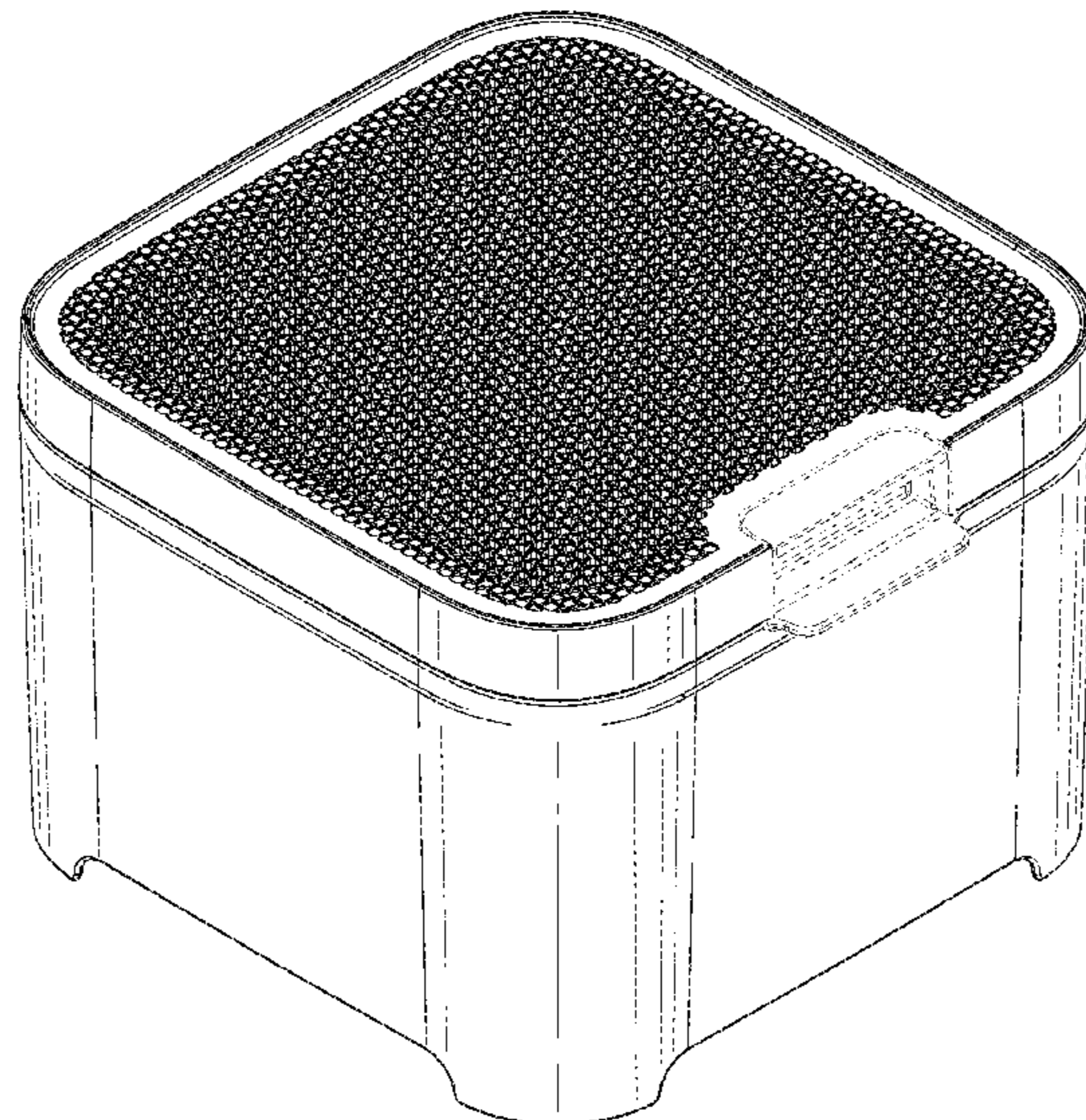
(57) **CLAIM**

We claim the ornamental design for a container, as shown and described.

**DESCRIPTION**

FIG. 1 is a perspective view of a container showing the new design;  
FIG. 2 is a top plan view thereof;  
FIG. 3 is a left elevation view thereof, the right elevation view being a mirror thereof;  
FIG. 4 is a rear elevation view thereof; and,  
FIG. 5 is a front elevation view thereof.  
Broken lines and the area within the broken lines represent environmental subject matter that forms no part of the claimed design.

**1 Claim, 5 Drawing Sheets**



(56)

**References Cited**

U.S. PATENT DOCUMENTS

2008/0073367 A1\* 3/2008 Chuang ..... B65D 43/0218  
220/786  
2016/0244216 A1\* 8/2016 DeCarlo ..... B65D 43/22  
2017/0158408 A1\* 6/2017 Resurreccion, Jr. .... B65B 25/22

\* cited by examiner



FIG. 1

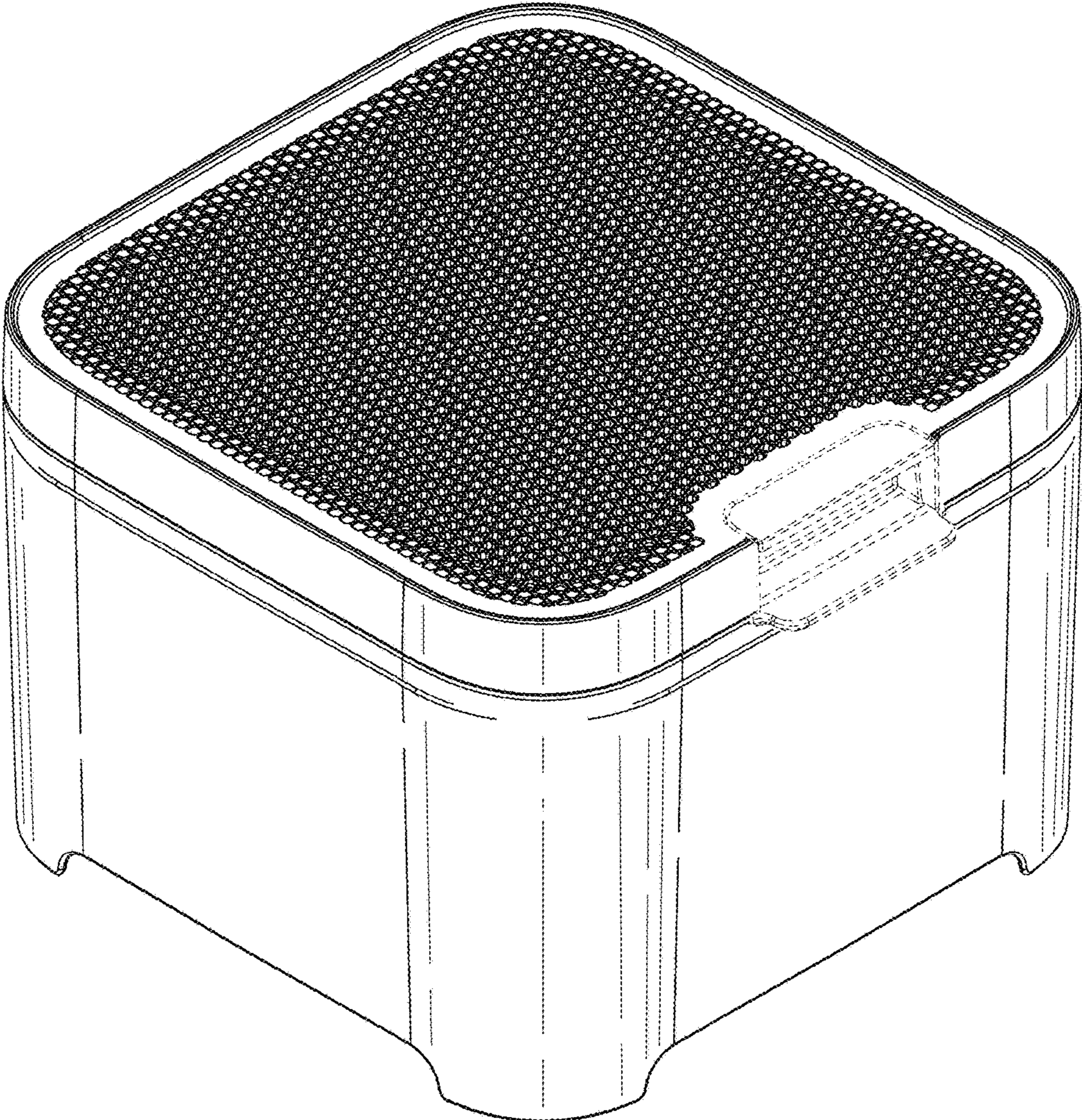




FIG. 2

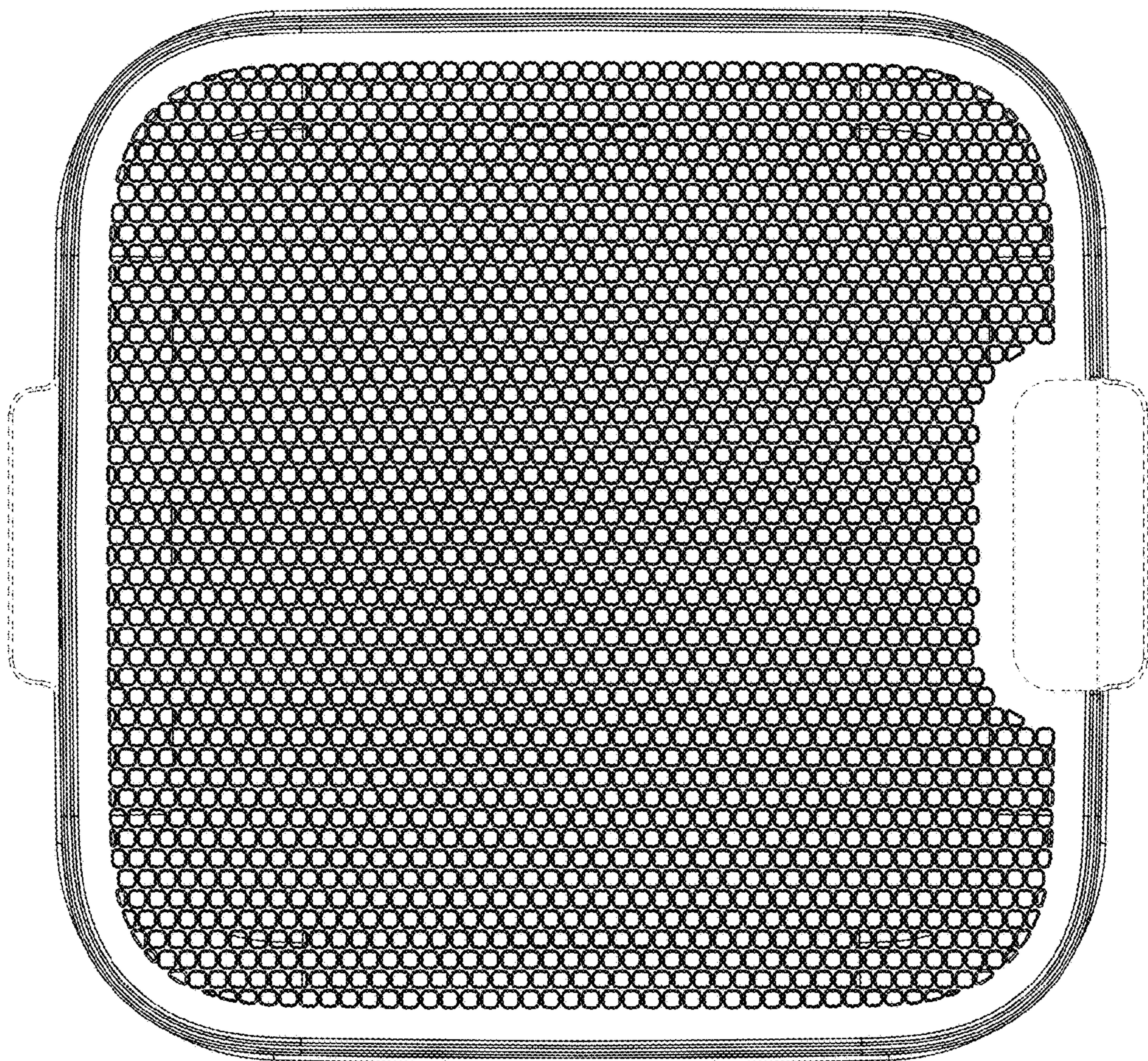


FIG. 3

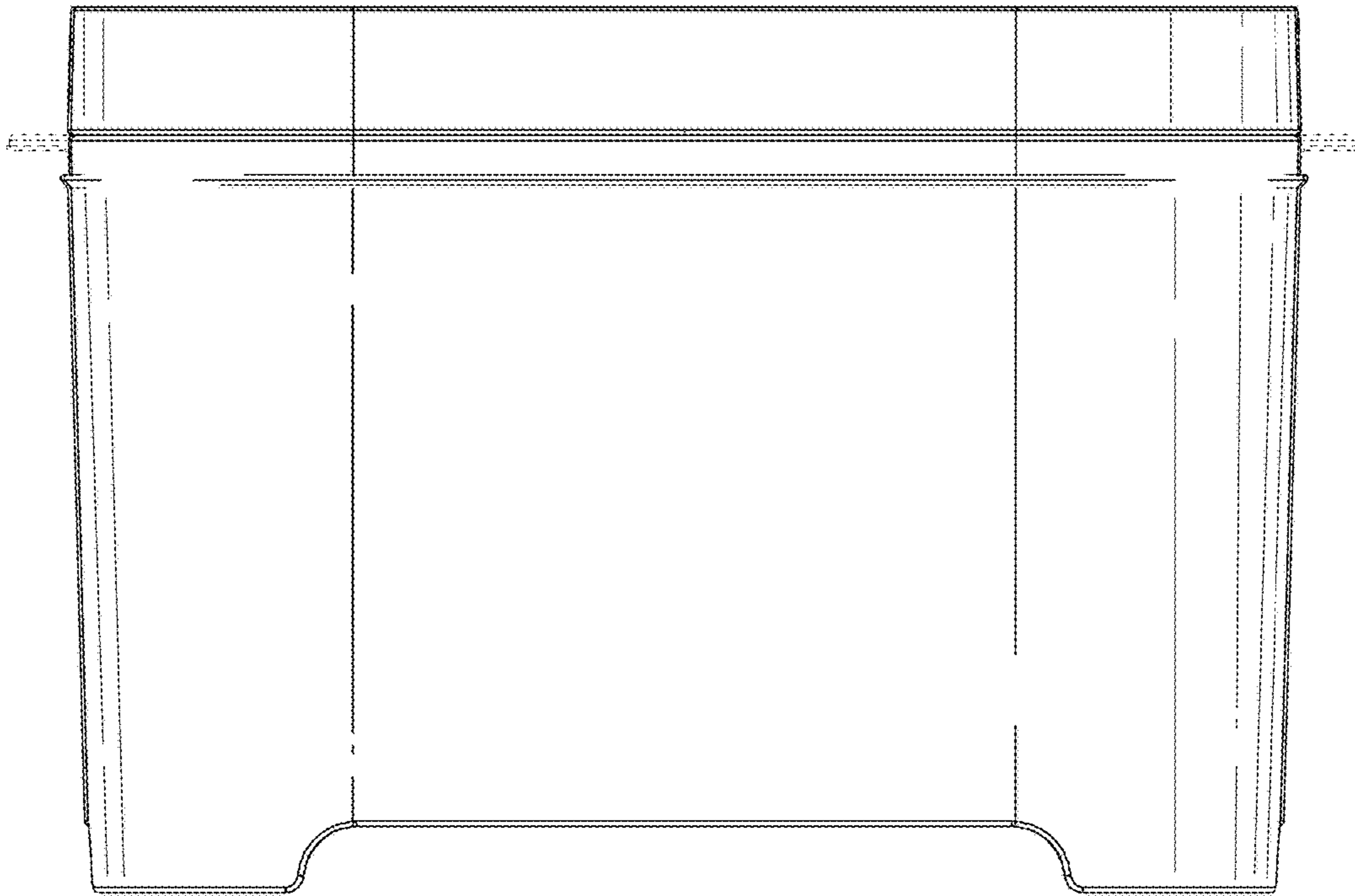




FIG. 4

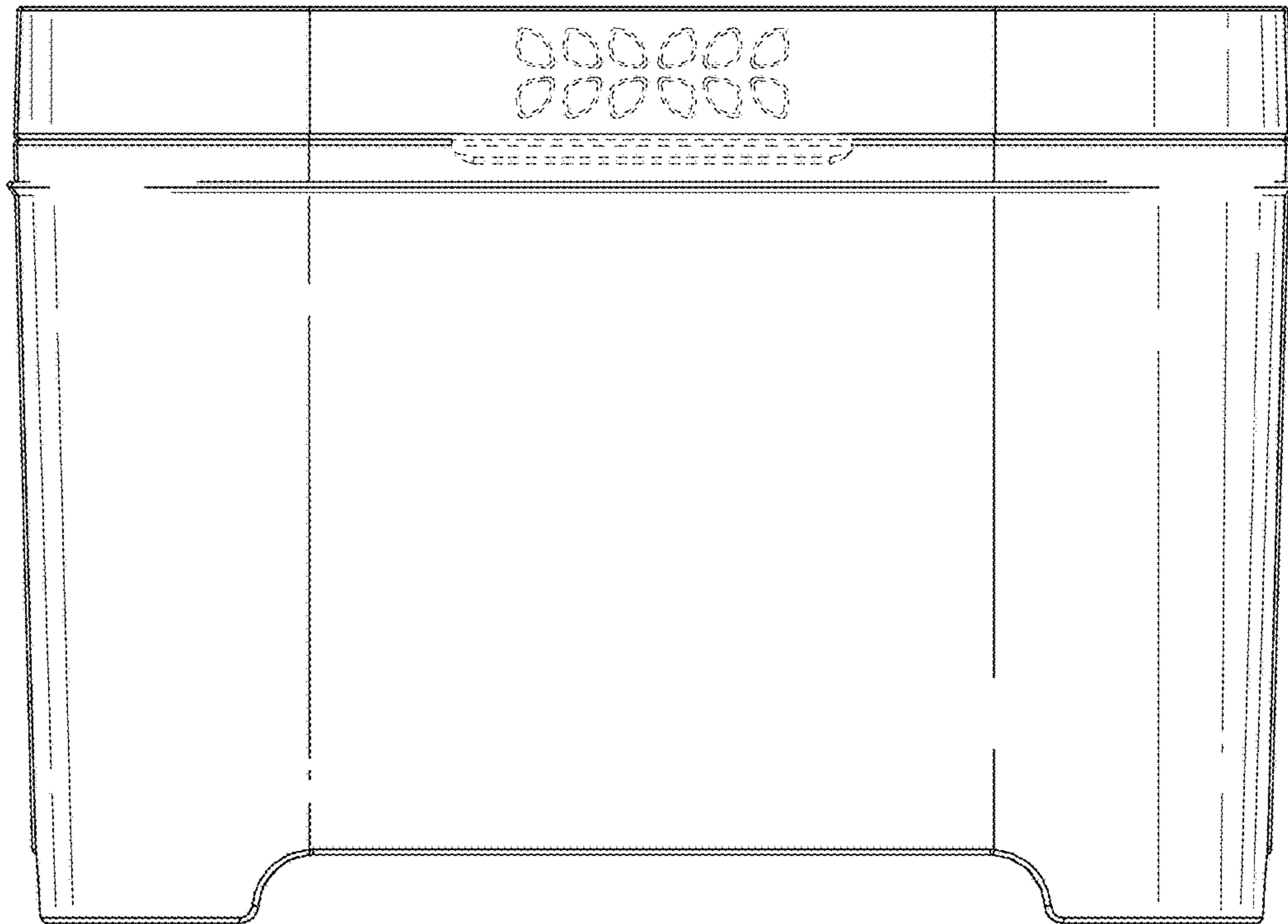


FIG. 5

