



US00D825324S

(12) **United States Design Patent**
Cavalcante et al.

(10) **Patent No.:** **US D825,324 S**
(45) **Date of Patent:** **** Aug. 14, 2018**

- (54) **PACKAGING FOR A PIPE WRENCH**
- (71) Applicant: **Milwaukee Electric Tool Corporation**,
Brookfield, WI (US)
- (72) Inventors: **Kaue S. Cavalcante**, Wauwatosa, WI
(US); **Joanne E. Gutchess**, Franklin,
WI (US); **Cheng Zhang Li**, Sussex, WI
(US); **Jesse Marcelle**, Muskego, WI
(US); **Jeffrey Corbat**, Racine, WI (US);
Steven W. Hyma, Milwaukee, WI
(US); **Brian J. Barbour**, Milwaukee,
WI (US); **Jacob S. Nelson**, Hartland,
WI (US); **Peter T. Stampfle**, Mounds
View, MN (US)
- (73) Assignee: **MILWAUKEE ELECTRIC TOOL**
CORPORATION, Brookfield, WI (US)
- (**) Term: **15 Years**
- (21) Appl. No.: **29/559,633**
- (22) Filed: **Mar. 30, 2016**
- (51) **LOC (11) Cl.** **09-03**
- (52) **U.S. Cl.**
USPC **D9/415**
- (58) **Field of Classification Search**
USPC D9/600, 679, 715, 718, 722, 414-418;
206/205, 207, 216, 701, 349, 376-379
CPC B65D 73/00; B65D 73/0014; B65D
73/0064; B65D 73/0042; B65D 73/0092;
B65D 77/00
See application file for complete search history.

- 6,273,255 B1 * 8/2001 Rosler B65D 73/0064
206/378
- 6,615,986 B2 * 9/2003 Pirro B65D 73/0092
206/459.5
- 7,210,663 B2 * 5/2007 Wheeler B65D 73/0064
206/349
- D549,572 S * 8/2007 Althouse D9/415
- 7,424,951 B2 * 9/2008 Hu B65D 73/0042
206/349
- D637,073 S * 5/2011 Morcos D9/415
- D642,902 S * 8/2011 Christopher B25H 3/022
D9/415
- D643,282 S * 8/2011 Christopher D9/415

(Continued)

Primary Examiner — Sandra L Morris
(74) *Attorney, Agent, or Firm* — Michael Best &
Friedrich LLP

(57) **CLAIM**

We claim the ornamental design for packaging for a pipe wrench, as shown and described.

DESCRIPTION

FIG. 1 is a perspective view of a packaging for a pipe wrench according to our new design;
FIG. 2 is a front side view of the packaging shown in FIG. 1.
FIG. 3 is a left side view of the packaging shown in FIG. 1.
FIG. 4 is a right side view of the packaging shown in FIG. 1.
FIG. 5 is a top side view of the packaging shown in FIG. 1; and,
FIG. 6 is a bottom side view of the packaging shown in FIG. 1.

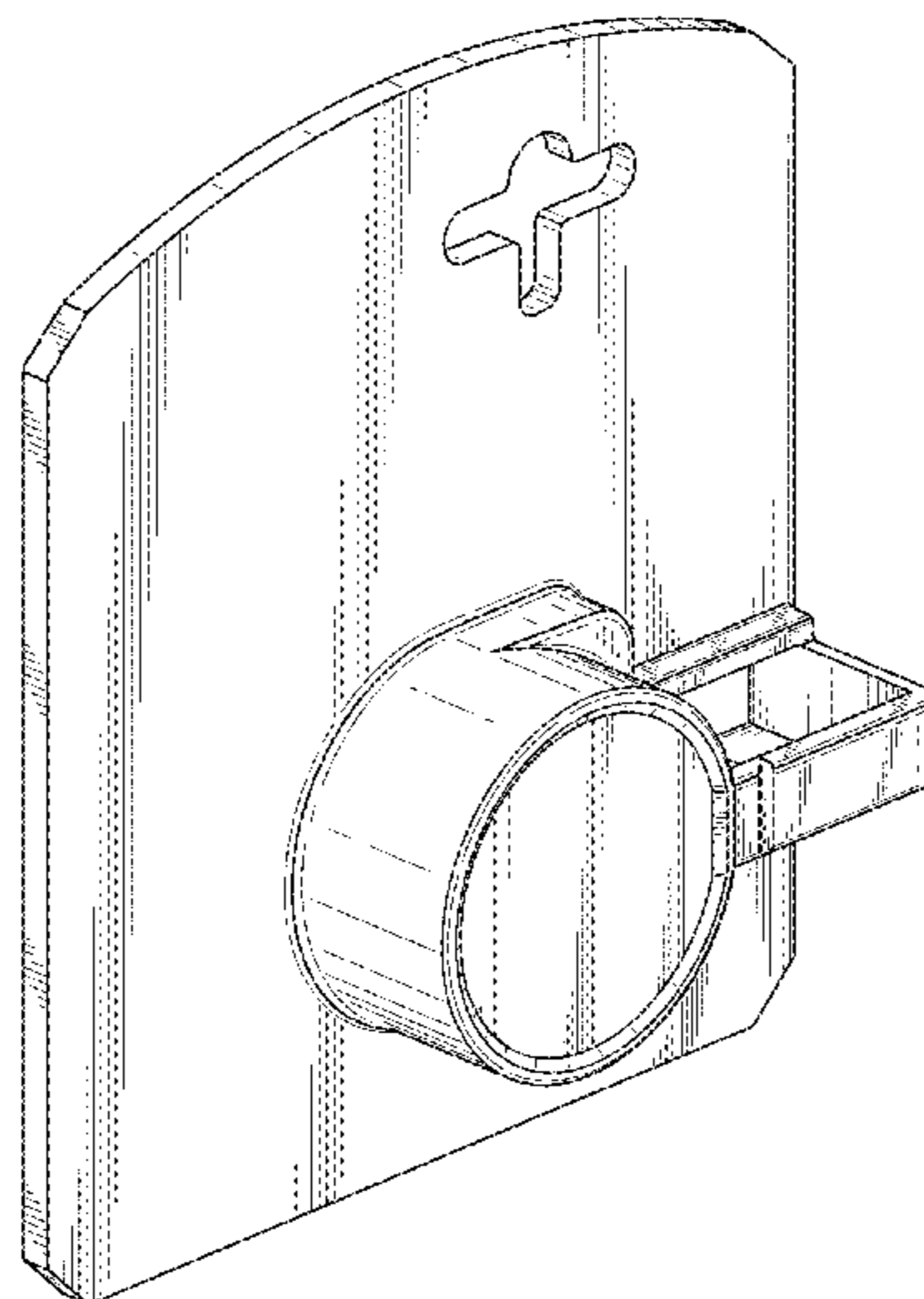
The present application is directed to the design illustrated in the drawings. The elements shown in broken lines are included for the purpose of illustrating environment and form no part of the claimed design. The broken lines having unequal line segments illustrate the boundary of the claimed design.

1 Claim, 4 Drawing Sheets

(56) **References Cited**

U.S. PATENT DOCUMENTS

- D422,496 S * 4/2000 Eckmann D9/722
- 6,193,200 B1 * 2/2001 Kao B65D 73/0014
206/349



(56)

References Cited

U.S. PATENT DOCUMENTS

D645,733	S *	9/2011	Holtan	D9/415
8,336,710	B2 *	12/2012	Chang	B65D 73/0064 206/349
D714,135	S *	9/2014	Chang	D9/415
8,960,453	B2 *	2/2015	Chang	B65D 73/0014 206/349
2004/0099553	A1 *	5/2004	Chen	B65D 73/00 206/349
2005/0155945	A1 *	7/2005	Kao	B65D 73/0064 211/70.6

* cited by examiner

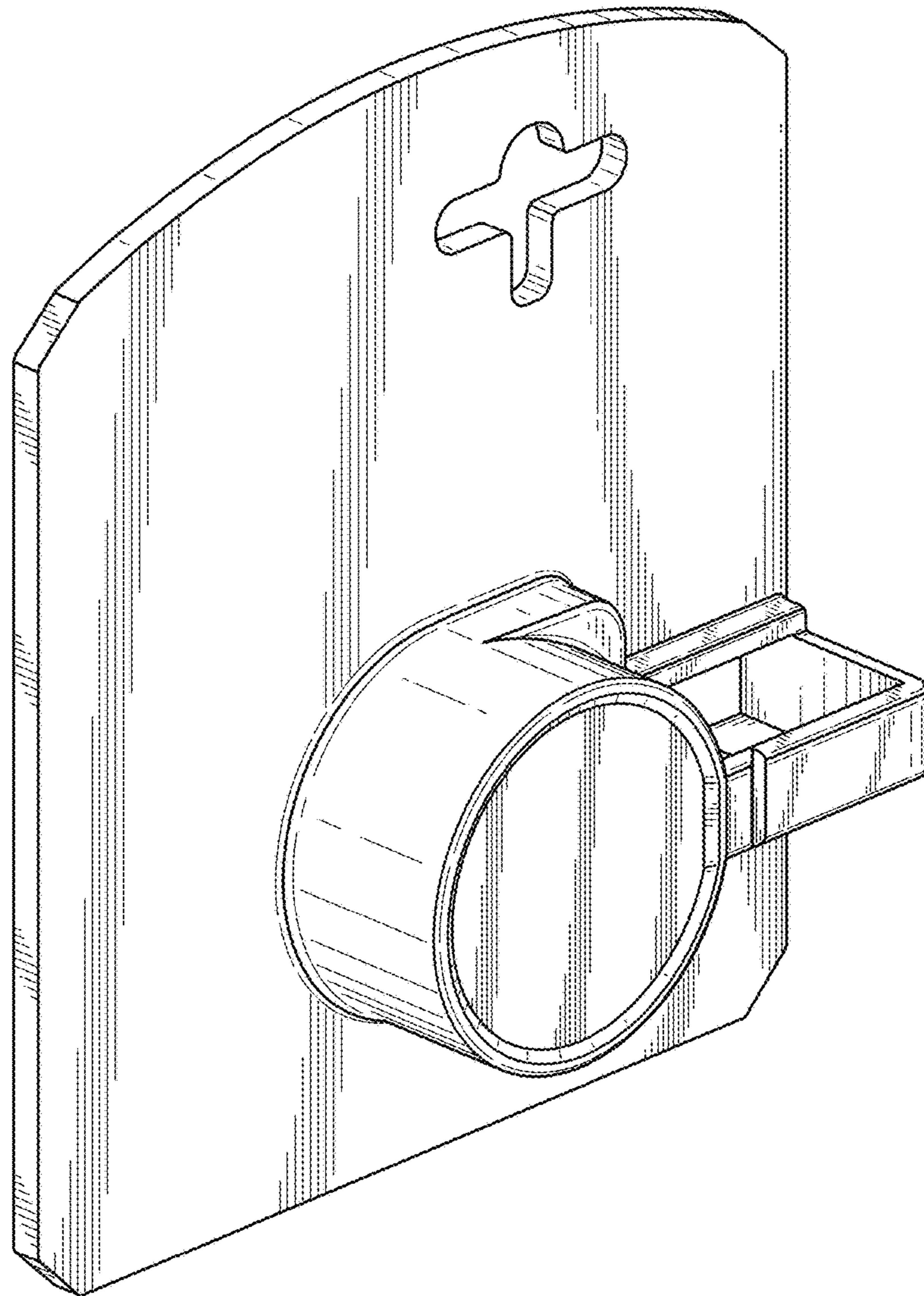


Fig. 1

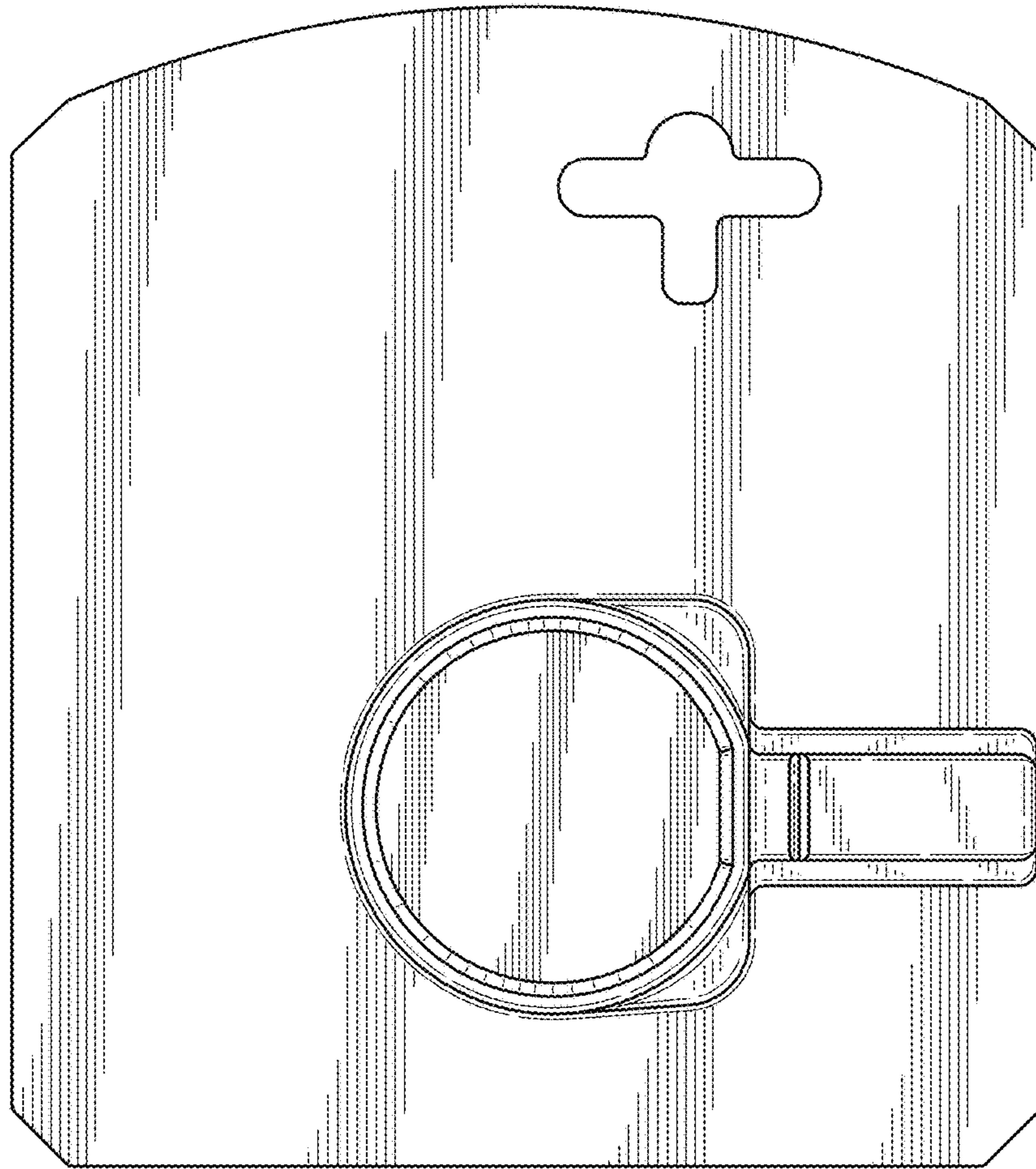


Fig. 2

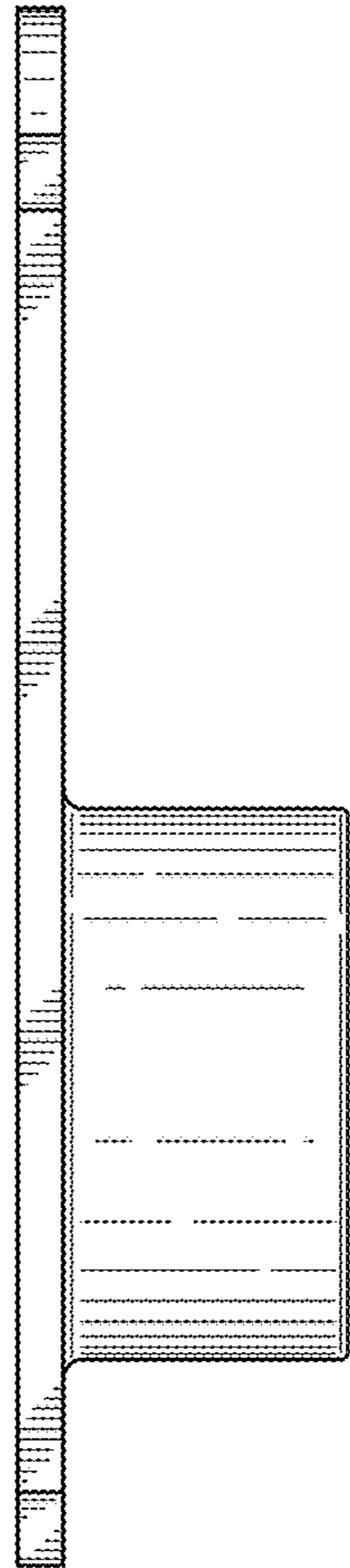


Fig. 3

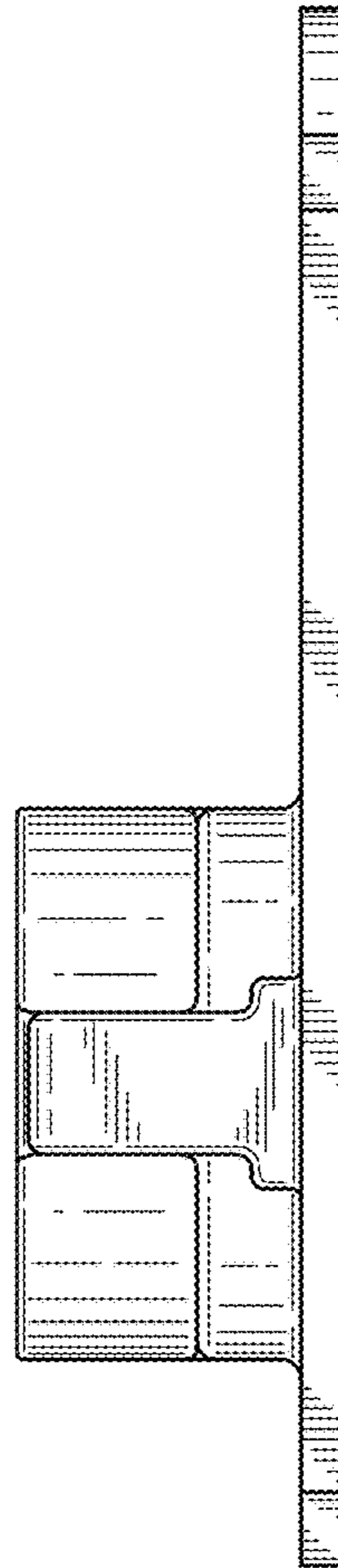


Fig. 4

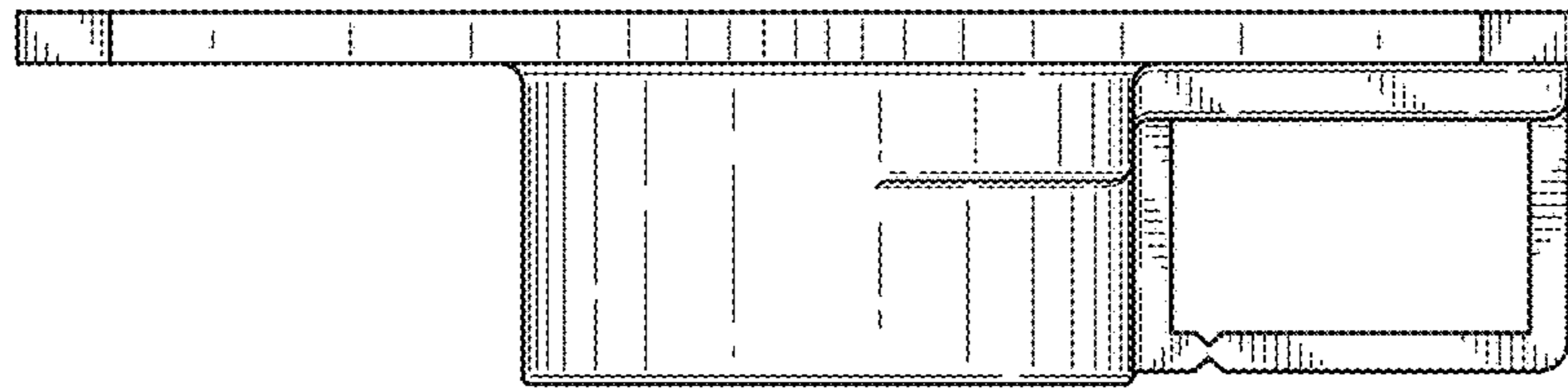


Fig. 5

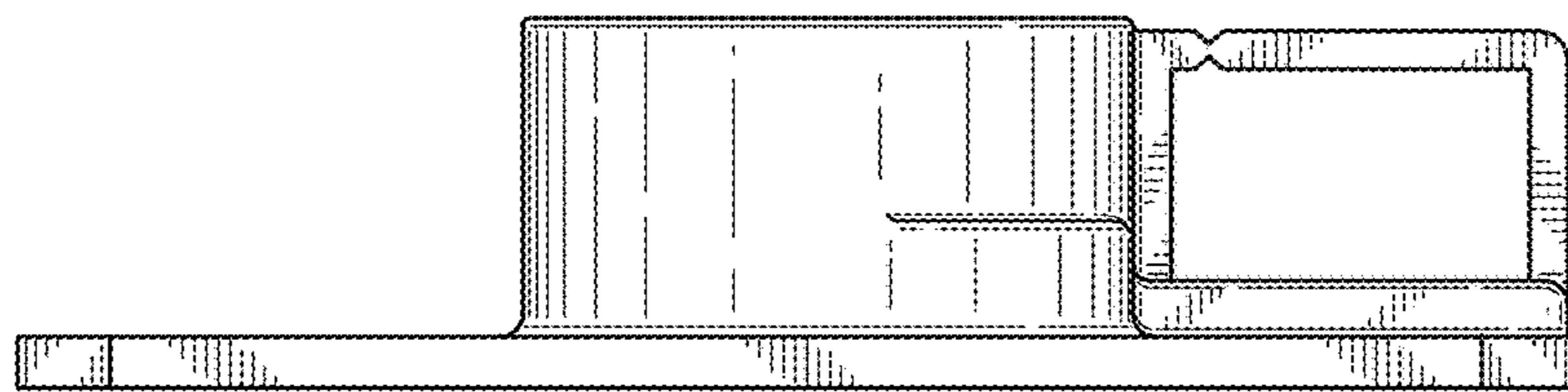


Fig. 6