

US00D825323S

(12) **United States Design Patent**  
**Torres et al.**

(10) **Patent No.:** **US D825,323 S**  
(45) **Date of Patent:** **\*\* Aug. 14, 2018**

- (54) **DISPOSABLE PAINT BRUSH CASE**
- (71) Applicants: **Santos Torres**, Pflugerville, TX (US);  
**Leticia Cantu Leticia Torres**,  
Pflugerville, TX (US)
- (72) Inventors: **Santos Torres**, Pflugerville, TX (US);  
**Leticia Cantu Leticia Torres**,  
Pflugerville, TX (US)
- (\*\*) Term: **15 Years**
- (21) Appl. No.: **29/505,453**
- (22) Filed: **Nov. 6, 2015**
- (51) **LOC (11) Cl.** ..... **09-03**
- (52) **U.S. Cl.**  
USPC ..... **D9/415**
- (58) **Field of Classification Search**  
USPC ..... D9/415, 420, 424, 414, 434, 418;  
D24/222; 206/449, 362.4, 362, 15.2,  
206/15.3, 1.5, 361; D4/199; 15/142,  
15/247, 143.1  
CPC ..... B65D 43/162; B44D 3/125; B44D 3/12;  
A46B 17/04  
See application file for complete search history.

D305,302 S *	1/1990	Beatrice	.....	D9/415
D305,408 S *	1/1990	LaJoie	.....	D9/415
D305,732 S *	1/1990	Hadtke	.....	D9/415
D320,346 S *	10/1991	Wagner	.....	D9/415
D329,144 S *	9/1992	Kurtz	.....	D4/199
5,244,090 A *	9/1993	Keith	.....	A46B 17/04 15/142
5,465,453 A *	11/1995	Landmeier	.....	A46B 17/04 15/247
5,540,363 A *	7/1996	Wilson	.....	B44D 3/125 206/15.3
5,645,167 A *	7/1997	Conrad	.....	B44D 3/125 206/1.5
D393,545 S *	4/1998	Fernandes	.....	D4/199
D401,765 S *	12/1998	Soutullo	.....	D4/199
6,390,430 B1 *	5/2002	Hawley	.....	B44D 3/12 206/15.2
D494,464 S *	8/2004	Kumakura	.....	D9/415
D560,366 S *	1/2008	Phillips	.....	D4/199
D564,872 S *	3/2008	Kamins	.....	D9/418
D601,010 S *	9/2009	Ballard	.....	D9/418
D609,085 S *	2/2010	Brachman	.....	D9/415

(Continued)

Primary Examiner — Rhea Shields

(57) **CLAIM**

The ornamental design for the disposable paint brush case, as shown and described.

**DESCRIPTION**

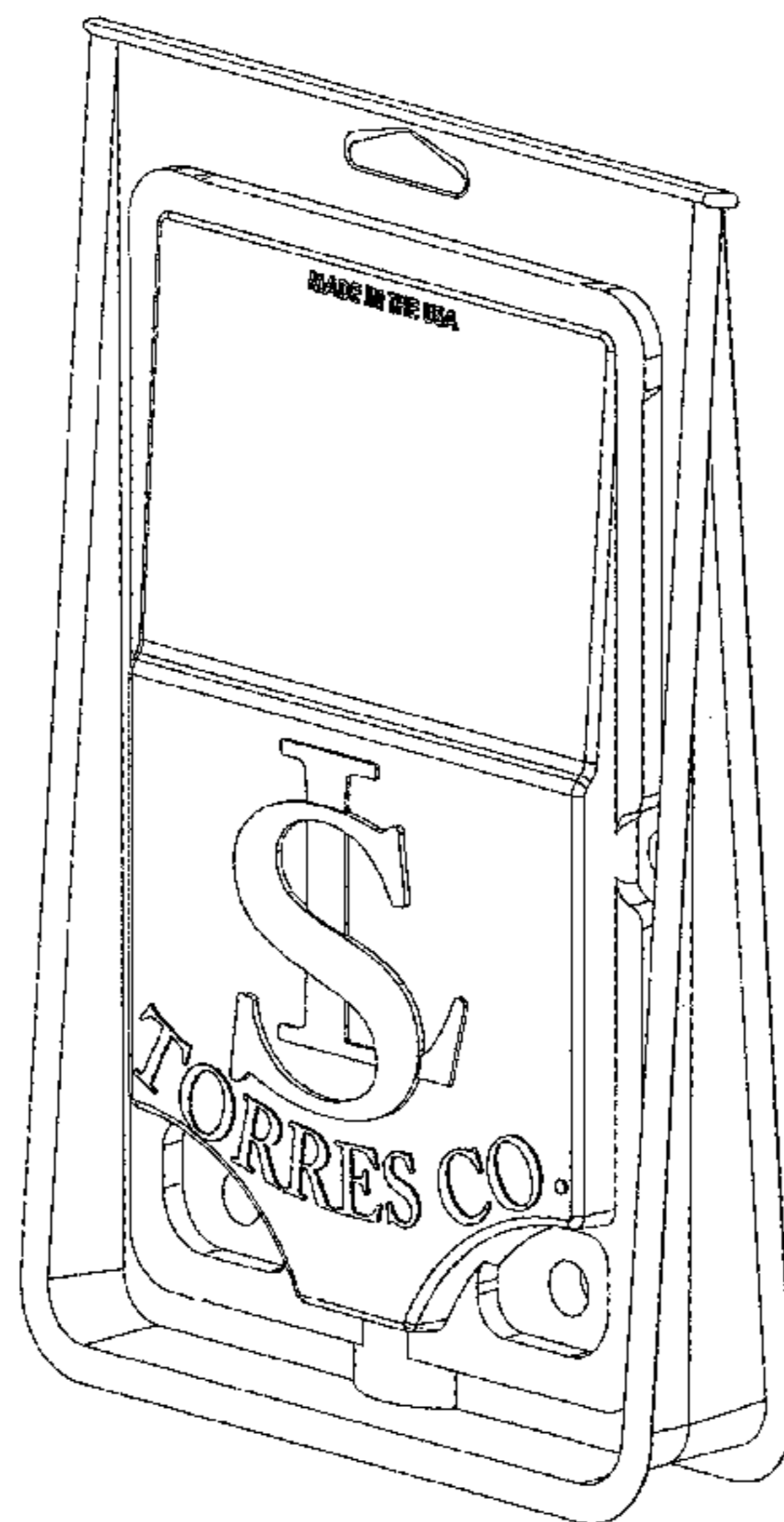
FIG. 1 is paint brush case in an closed standing configuration the front perspective view of the disposable, showing our new design;  
 FIG. 2 is a closed lying flat view thereof;  
 FIG. 3 is an open and standing on side view thereof; and  
 FIG. 4 is an open lying flat view thereof;  
 FIG. 5 is side profile perspective view of the disposable paint brush case in an open lying flat configuration;  
 FIG. 6 is a lying flat closed side profile view thereof; and,  
 FIG. 7 is rear view there of.

**1 Claim, 7 Drawing Sheets**

(56) **References Cited**

U.S. PATENT DOCUMENTS

1,612,887 A *	1/1927	Saunders	.....	A46B 17/04 206/361
1,869,753 A *	8/1932	Kamm	.....	B44D 3/125 206/361
2,550,248 A *	4/1951	Holton	.....	A46B 17/04 206/361
4,423,811 A *	1/1984	Knapp	.....	B65D 43/162 206/15.3
D292,776 S *	11/1987	Cugley	.....	D9/415
4,847,939 A *	7/1989	Derencsenyi	.....	A46B 17/04 15/143.1



(56)

**References Cited**

U.S. PATENT DOCUMENTS

D641,616	S *	7/2011	Prevost	.....	D9/420
8,011,510	B1 *	9/2011	Smith, II	.....	B65D 43/162
					206/449
D693,219	S *	11/2013	Limback	.....	D9/424
D707,550	S *	6/2014	Limback	.....	D9/424
D712,248	S *	9/2014	Carnduff	.....	D9/434
D733,551	S *	7/2015	St. Rose	.....	D9/414
D739,551	S *	9/2015	Castaing	.....	D24/222
D745,385	S *	12/2015	Palsson	.....	D9/415
D746,132	S *	12/2015	Carnduff	.....	D9/434
D747,963	S *	1/2016	Scalise	.....	D9/420
D748,465	S *	2/2016	Gupta	.....	D9/415
2001/0047948	A1 *	12/2001	Cummings	.....	A46B 17/04
					206/362.4
2003/0052026	A1 *	3/2003	Mayfield	.....	A46B 17/04
					206/362
2003/0062280	A1 *	4/2003	Davis	.....	A46B 17/04
					206/362.4

\* cited by examiner

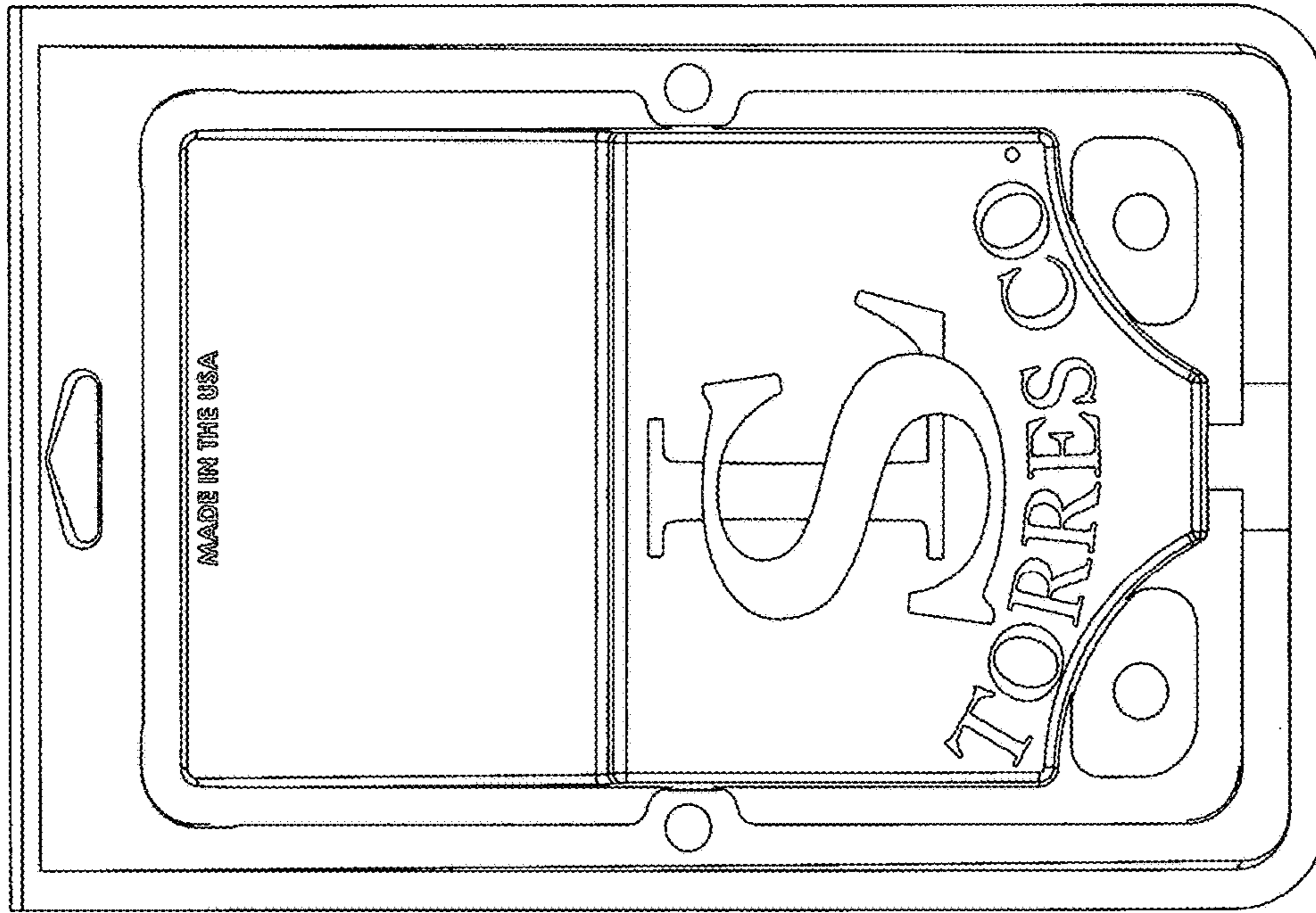


Fig 1



Fig 2

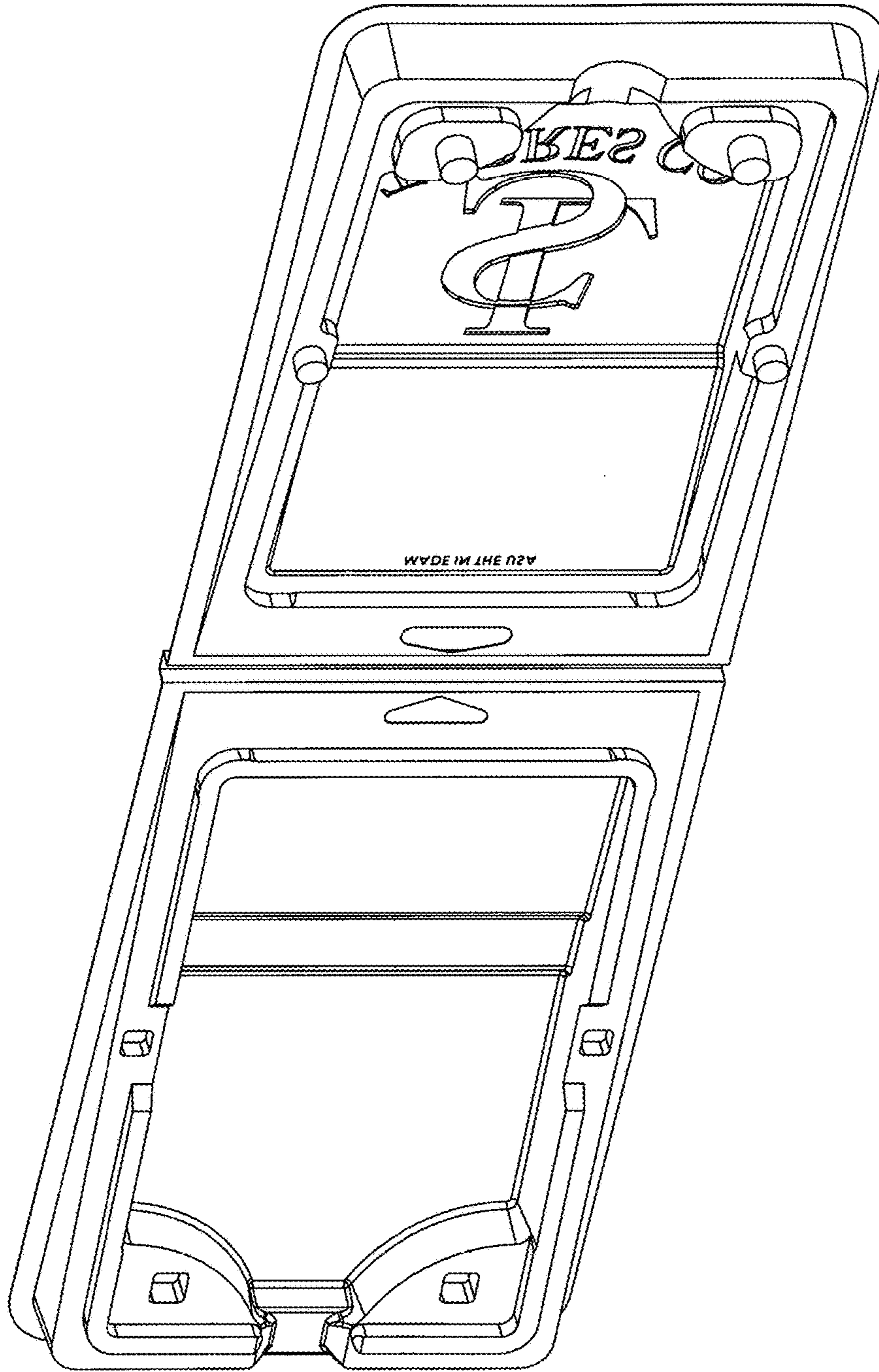


Fig 3

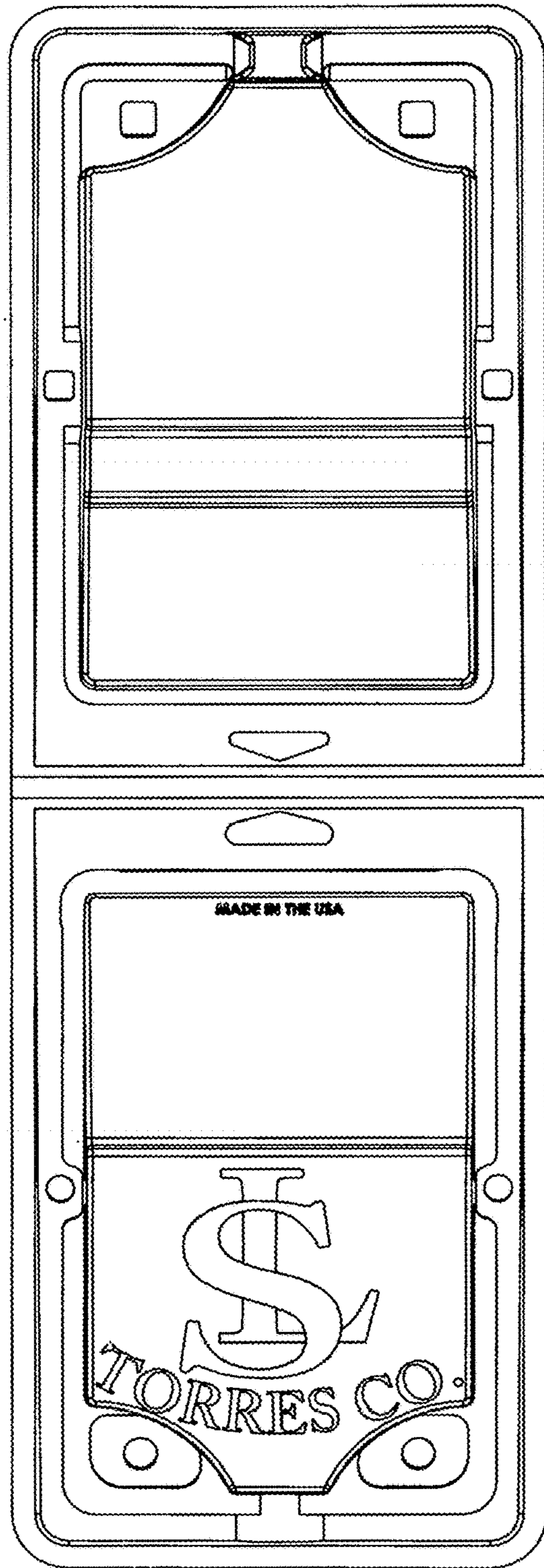


Fig 4

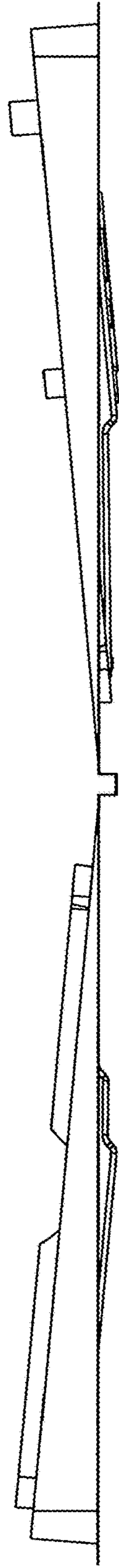


Fig 5

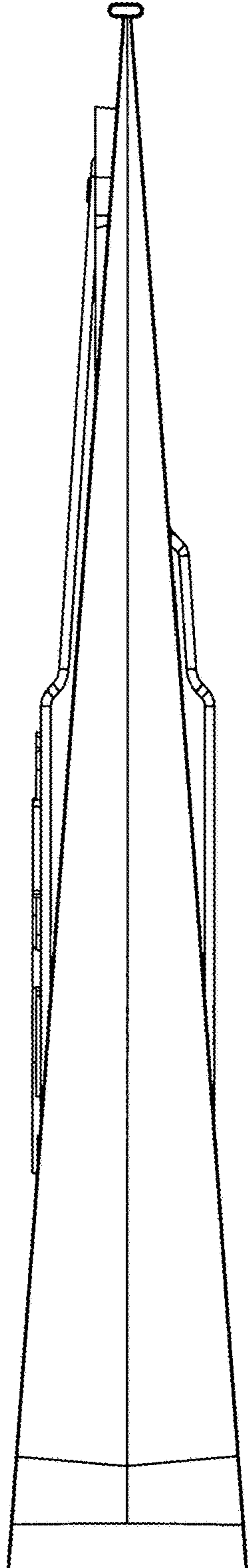


Fig 6



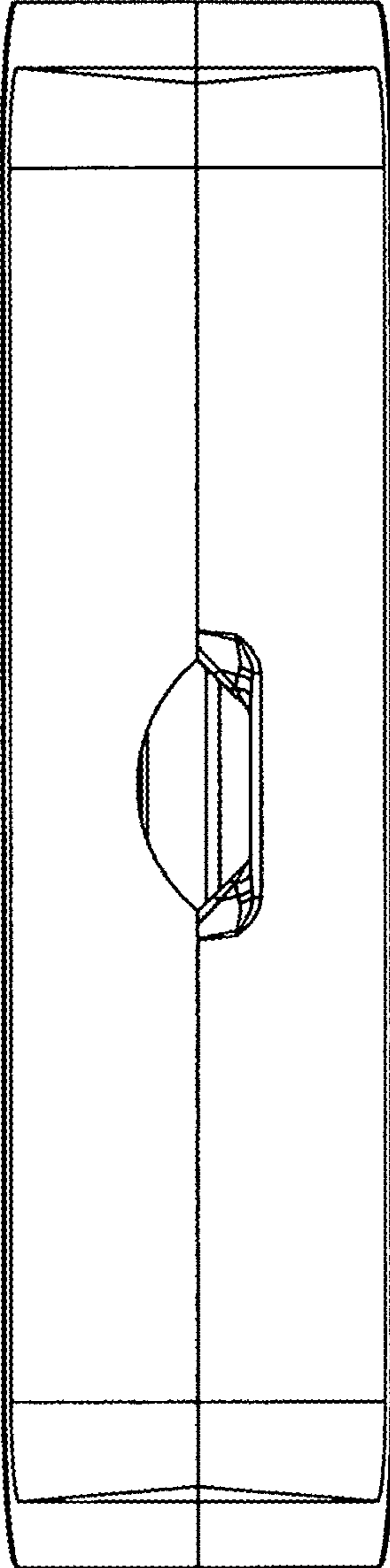


Fig 7