



US00D825322S

(12) **United States Design Patent** (10) **Patent No.:** **US D825,322 S**
Sears et al. (45) **Date of Patent:** **** Aug. 14, 2018**

- (54) **NUT FOR BOLT**
- (71) Applicants: **Aaron Sears**, Itasca, IL (US); **Matt Benoist**, Itasca, IL (US); **Michael Herdman**, Itasca, IL (US)
- (72) Inventors: **Aaron Sears**, Itasca, IL (US); **Matt Benoist**, Itasca, IL (US); **Michael Herdman**, Itasca, IL (US)
- (73) Assignee: **SHAMROCK INTERNATIONAL FASTENER LLC**, Itasca, IL (US)
- (**) Term: **15 Years**
- (21) Appl. No.: **29/589,797**
- (22) Filed: **Jan. 4, 2017**
- (51) **LOC (11) Cl.** **08-08**
- (52) **U.S. Cl.**
USPC **D8/397**
- (58) **Field of Classification Search**
USPC D8/349, 382, 385, 387, 388, 391, 393, D8/397, 399
CPC .. F16B 23/00; F16B 23/0007; F16B 23/0069; F16B 35/04; F16B 35/06; F16B 35/044; F16B 35/047; F16B 37/00; F16B 37/08; F16B 39/282; B23G 1/00; B21D 53/24; B21K 1/64
See application file for complete search history.

- (56) **References Cited**
U.S. PATENT DOCUMENTS
3,275,055 A * 9/1966 Gutshall F16B 39/24 411/134
4,094,352 A * 6/1978 Hlinsky F16B 39/282 411/185
4,220,188 A * 9/1980 McMurray F16B 39/282 411/188
4,290,469 A * 9/1981 Nakae F16B 39/282 411/185

- 4,294,300 A * 10/1981 Bouwman F16B 39/282 411/185
- 6,099,190 A * 8/2000 Honobe B60T 8/3685 248/225.11
- D459,207 S * 6/2002 Miyata D8/397
- D482,957 S * 12/2003 Lajeunesse D8/387
- D602,349 S * 10/2009 Andersson D8/399
- D604,600 S * 11/2009 Lesesky D8/387
- D609,999 S * 2/2010 Andersson D8/399
- D726,531 S * 4/2015 Muzic D8/387
- D760,582 S * 7/2016 Muzic D8/387
- D764,267 S * 8/2016 Hutter, III D8/387
- D800,544 S * 10/2017 Schuit D8/397
- 9,835,193 B2 * 12/2017 Pritchard F16B 35/047
- 2002/0127079 A1 * 9/2002 Kersten F16B 31/02 411/8
- 2003/0108403 A1 * 6/2003 Scoyoc F16B 35/041 411/421
- 2003/0190218 A1 * 10/2003 Andersson F16B 39/282 411/533

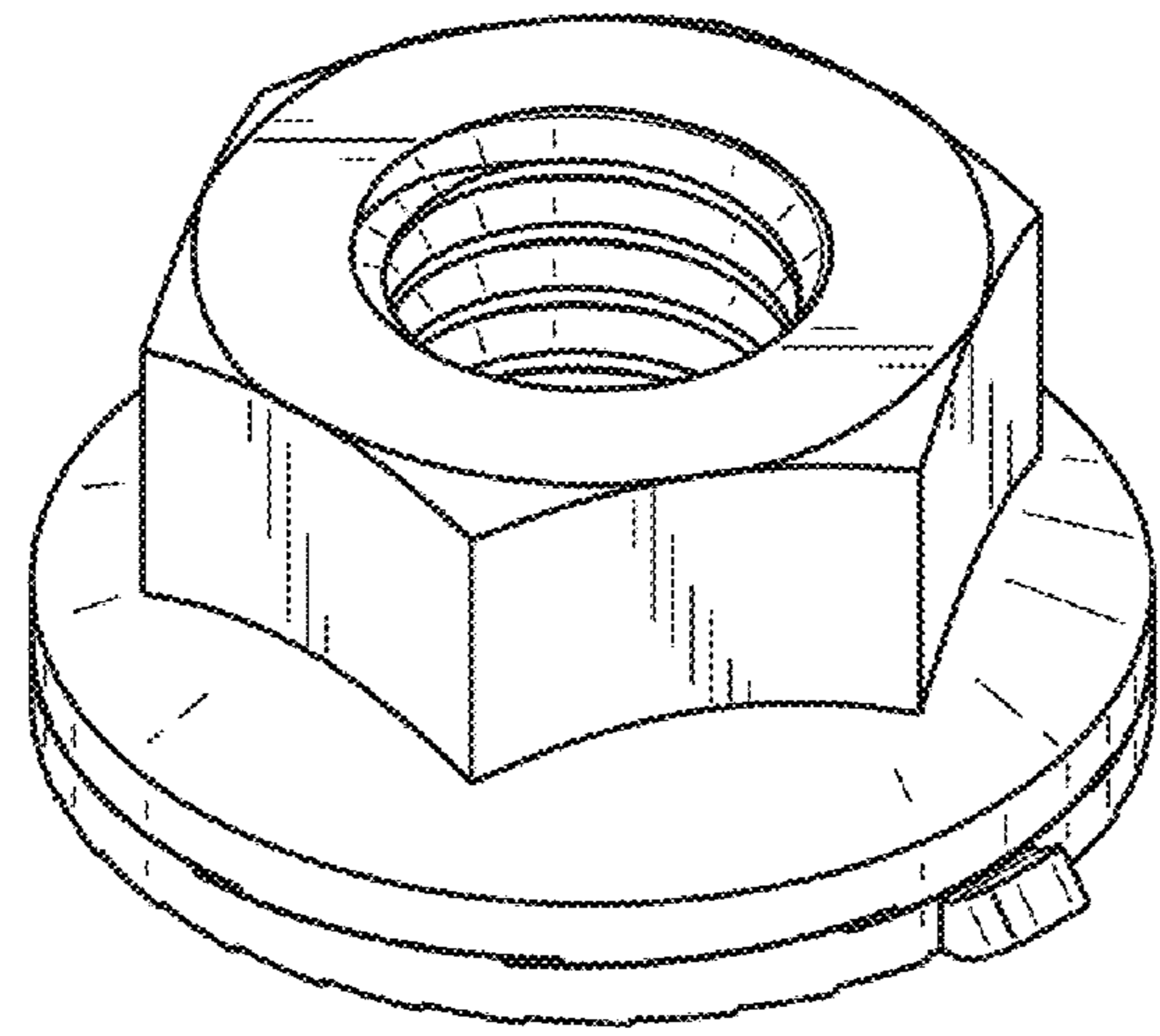
(Continued)

Primary Examiner — Sandra S Snapp
Assistant Examiner — Ieisha N Price
(74) *Attorney, Agent, or Firm* — Justin Lampel

(57) **CLAIM**
The ornamental design for a nut for bolt, as shown and described.

DESCRIPTION
FIG. 1 is a perspective view of the nut for bolt;
FIG. 2 is a side view of the nut for bolt;
FIG. 3 is a side view of the nut for bolt;
FIG. 4 is a side view of the nut for bolt;
FIG. 5 is a side view of the nut for bolt;
FIG. 6 is a top view of the nut for bolt; and,
FIG. 7 is a bottom view of the nut for bolt.
The broken line showing is for illustrative purposes only and forms no part of the claimed design.

1 Claim, 3 Drawing Sheets



(56)

References Cited

U.S. PATENT DOCUMENTS

2007/0128003 A1* 6/2007 Shiu F16B 39/282
411/533
2010/0047037 A1* 2/2010 Ishida F16B 37/00
411/427
2010/0098511 A1* 4/2010 Andersson F16B 39/282
411/149
2013/0170922 A1* 7/2013 Persson B21D 53/22
411/161
2014/0037399 A1* 2/2014 Hyatt F16B 39/282
411/87
2016/0146242 A1* 5/2016 Andersson F16B 39/24
411/149
2016/0282016 A1* 9/2016 Ash F24J 2/46

* cited by examiner

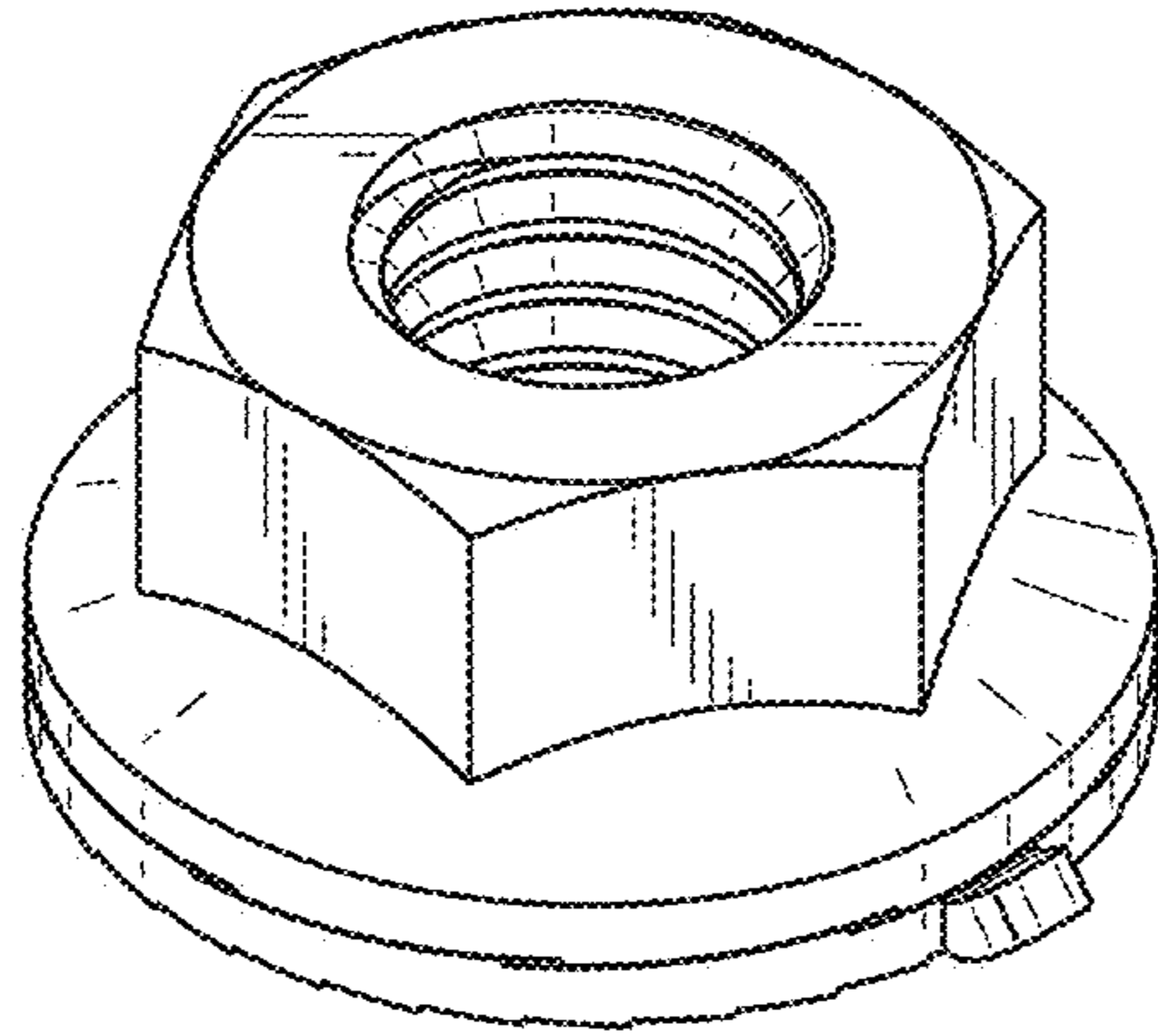


FIG. 1

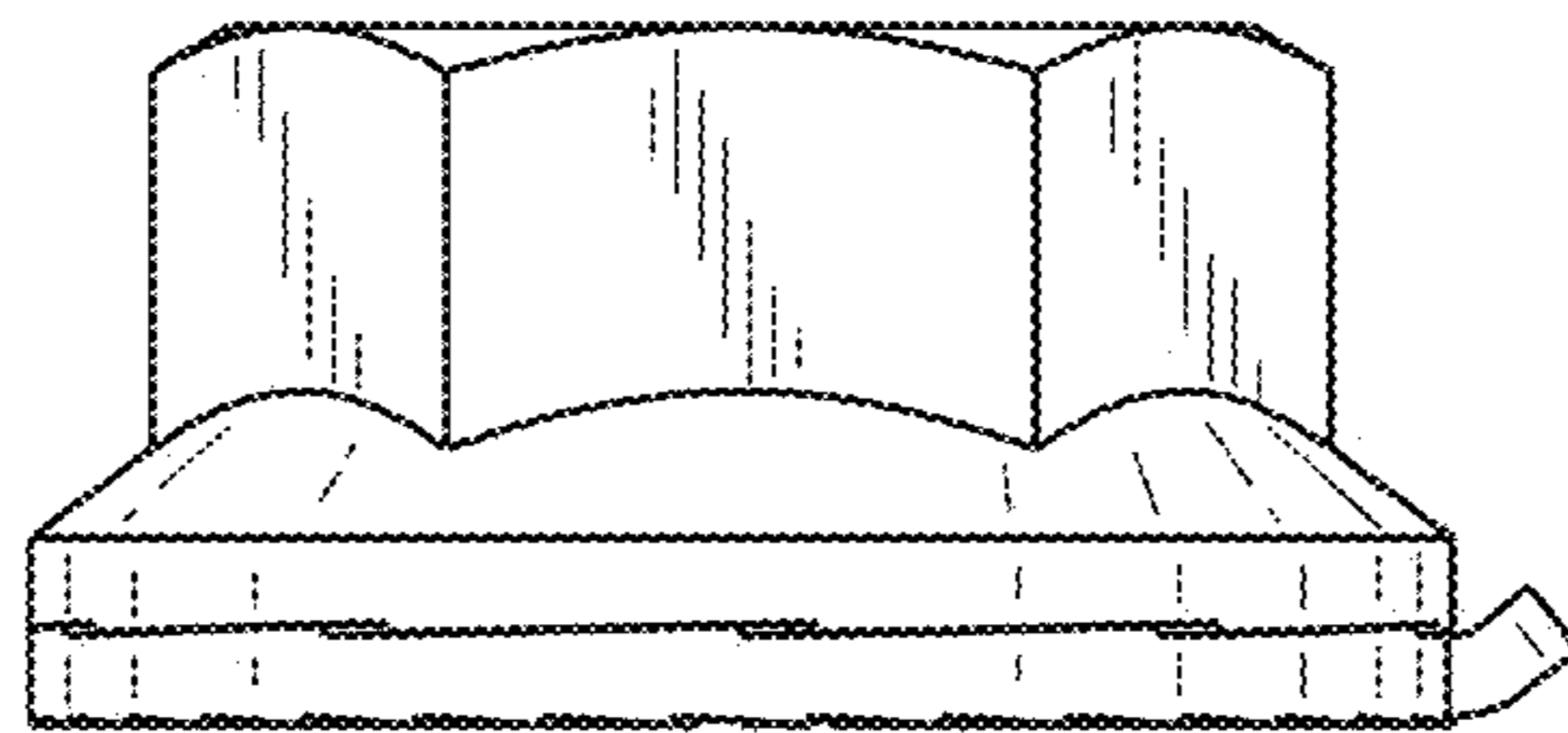


FIG. 2

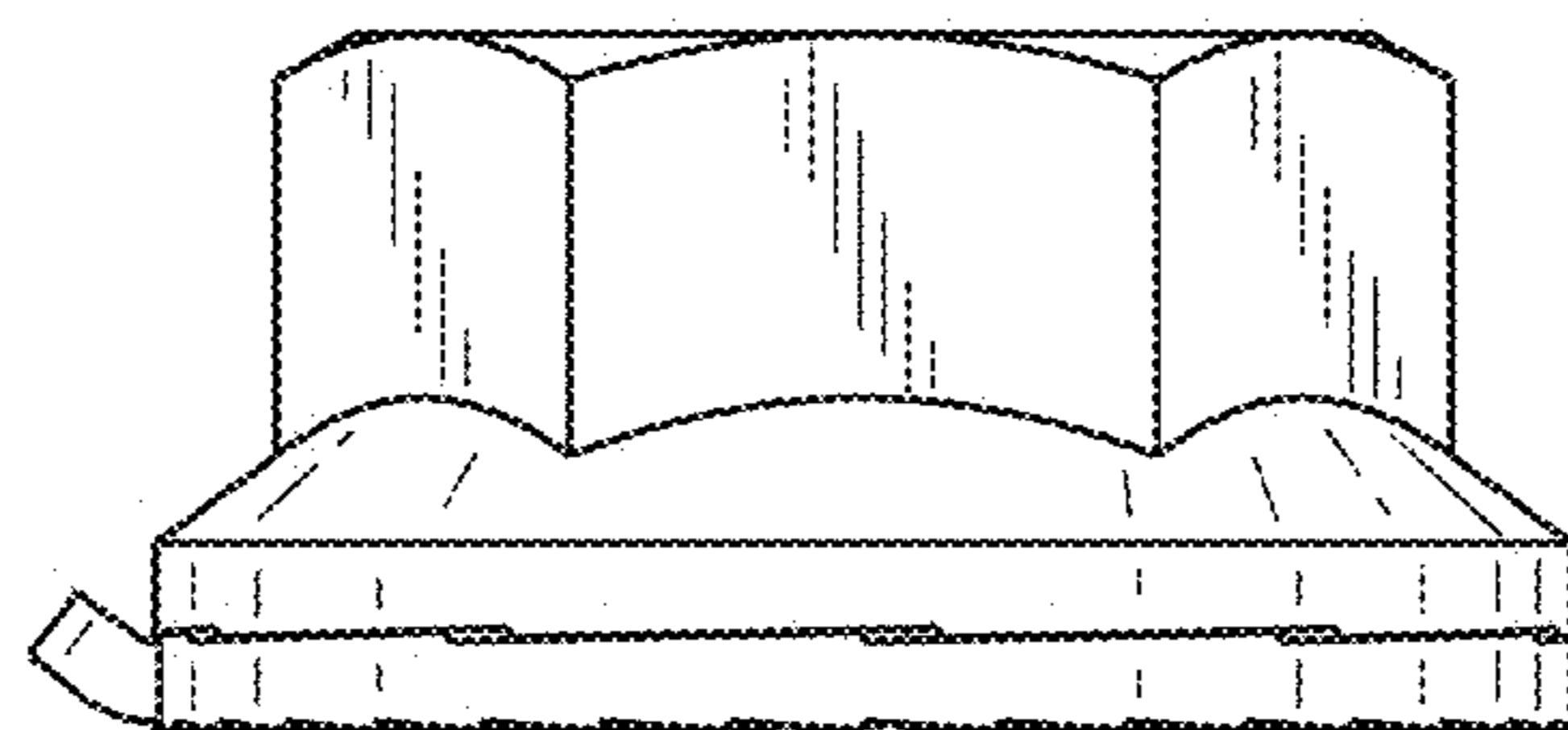


FIG. 3

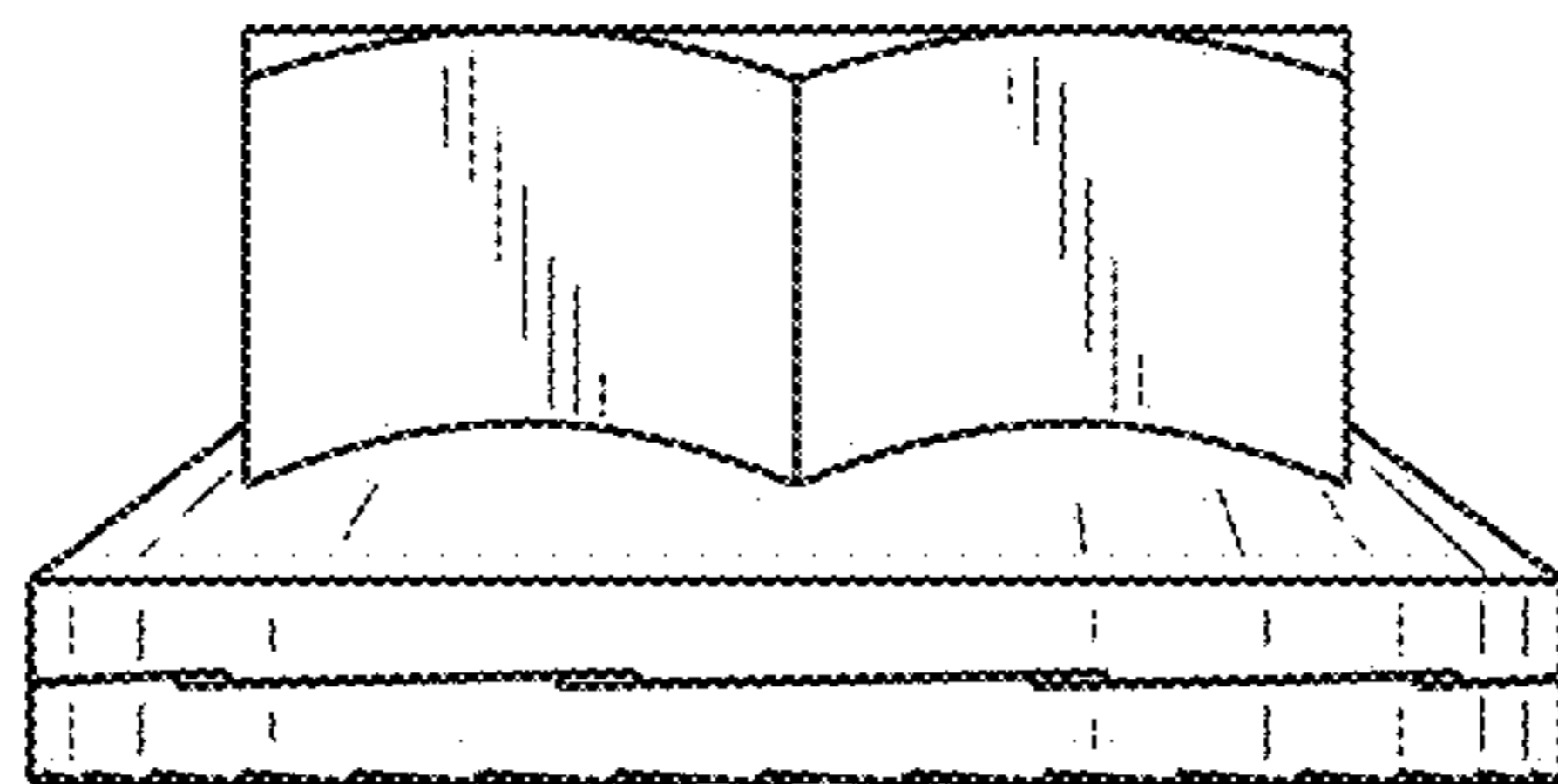


FIG. 4

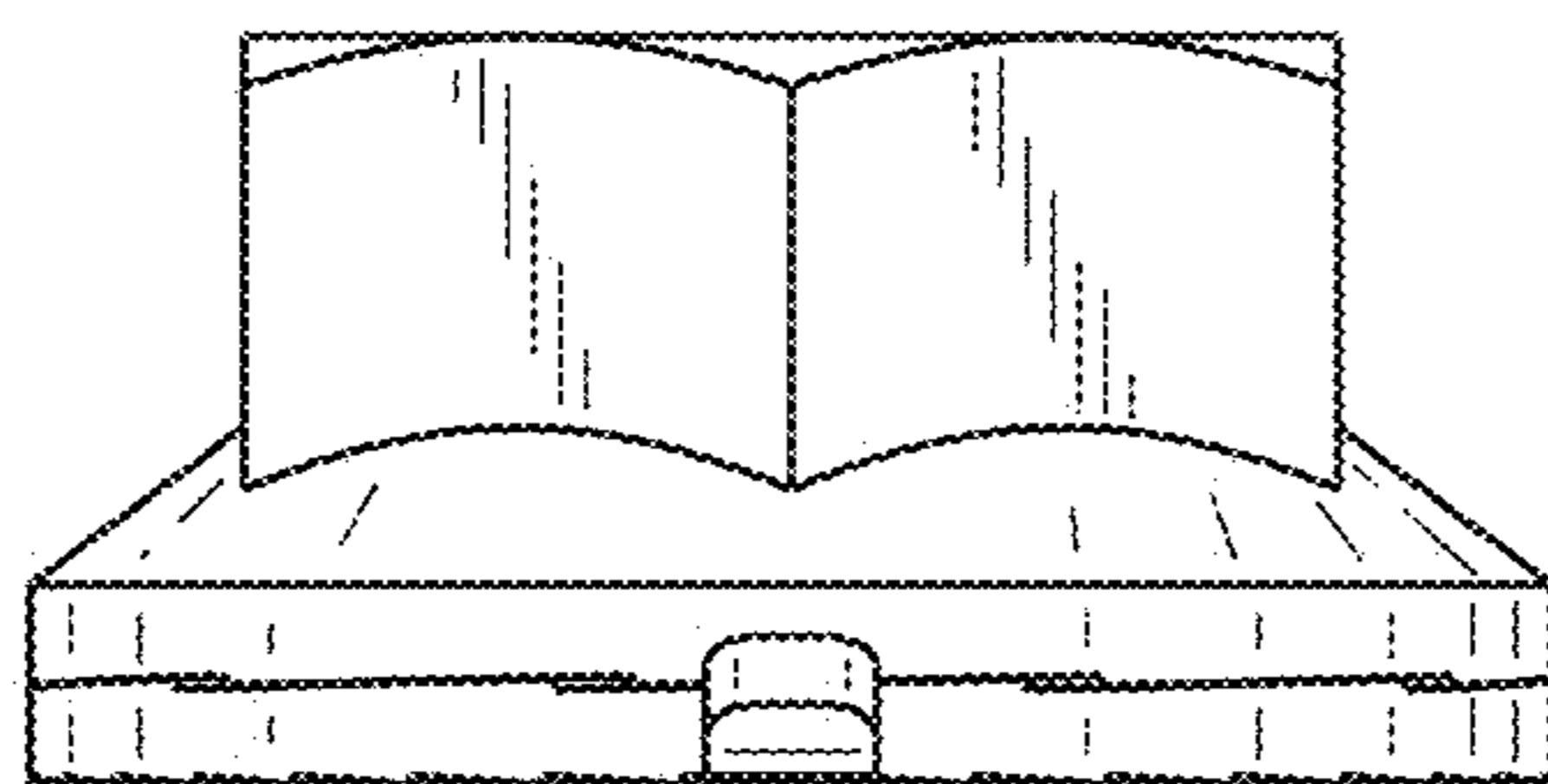


FIG. 5

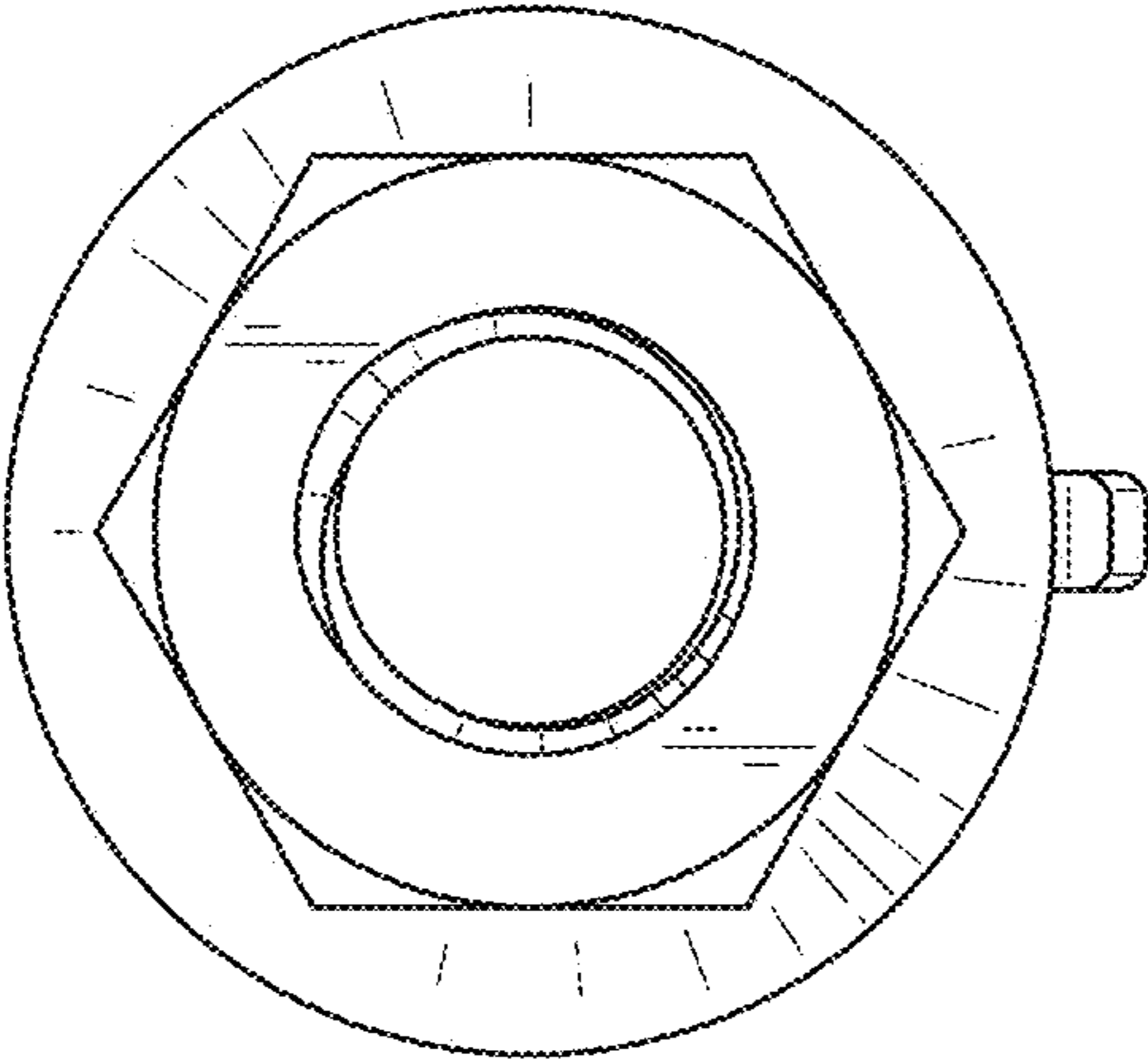


FIG. 6

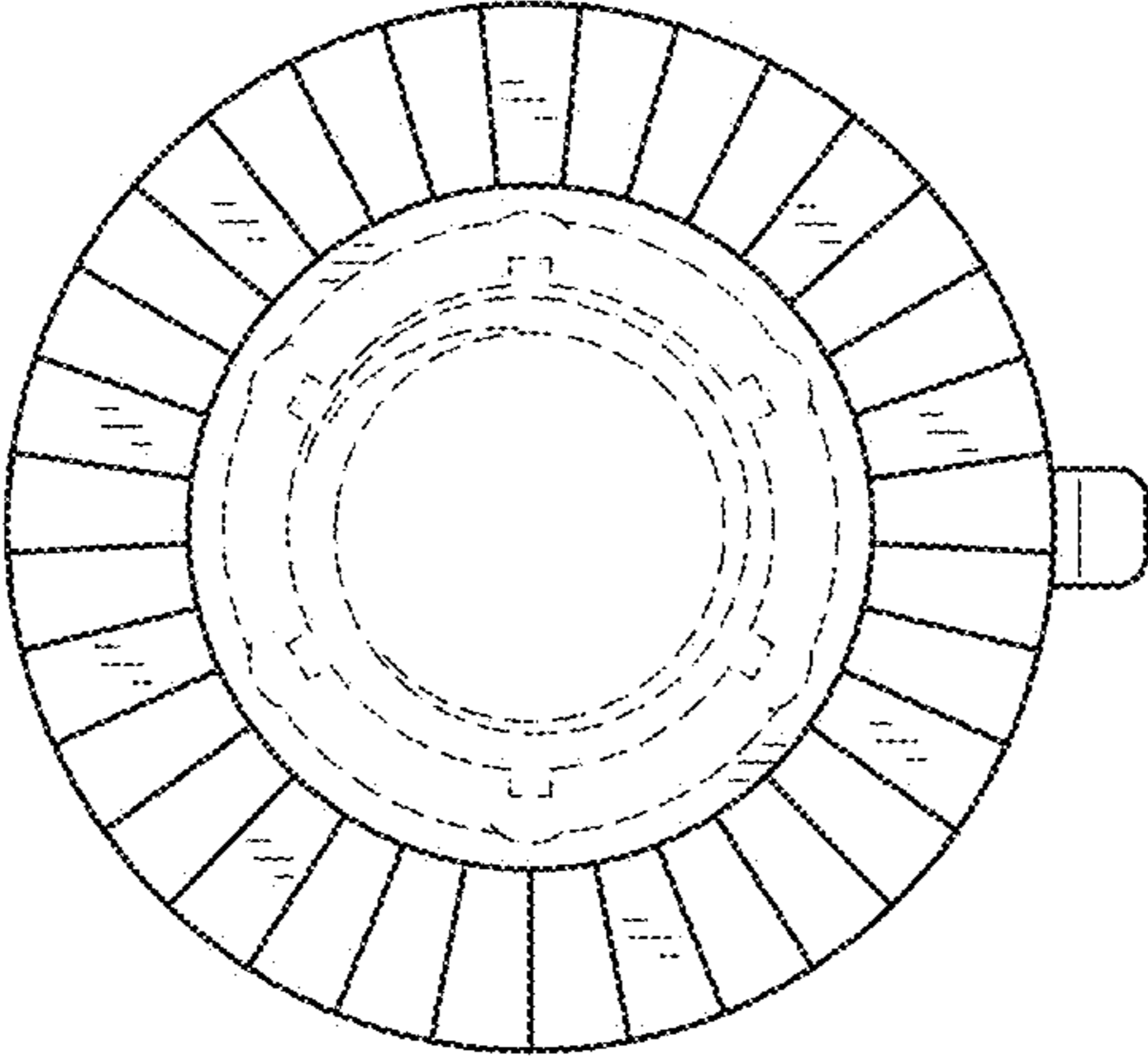


FIG. 7