



US00D825321S

(12) **United States Design Patent** (10) **Patent No.:** **US D825,321 S**
Szekesy et al. (45) **Date of Patent:** **** Aug. 14, 2018**

(54) **CLIP**
(71) Applicants: **William S. Szekesy**, Lakeshore (CA);
Bruno Mantovan, LaSalle (CA)
(72) Inventors: **William S. Szekesy**, Lakeshore (CA);
Bruno Mantovan, LaSalle (CA)
(**) Term: **15 Years**
(21) Appl. No.: **29/584,331**

D564,871 S * 3/2008 Pitcher D8/395
D565,944 S * 4/2008 Pitcher D8/395
D586,459 S * 2/2009 Cabrera D24/110.1
D602,158 S * 10/2009 Cuevas D24/128
D615,960 S * 5/2010 Lum D14/188
D623,186 S * 9/2010 Ludlum D14/371
D637,899 S * 5/2011 Tedesco D8/380
D675,086 S * 1/2013 Gary D8/395
D721,428 S * 1/2015 Donovan D23/368
D750,767 S * 3/2016 Donovan D23/368
D776,346 S * 1/2017 Magnani D28/40
D776,783 S * 1/2017 St Phillips D22/108
D788,832 S * 6/2017 Alles D16/133

(22) Filed: **Nov. 14, 2016**
(51) **LOC (11) Cl.** **08-08**
(52) **U.S. Cl.**
USPC **D8/394**
(58) **Field of Classification Search**
USPC D8/394-396; D22/108
CPC . A47B 96/06; B60P 7/04; F41C 27/00; B61H
7/12
See application file for complete search history.

FOREIGN PATENT DOCUMENTS

EM 002578443-0004 * 12/2014
FR 946622-004 * 1/1995

* cited by examiner

Primary Examiner — John Windmuller
Assistant Examiner — John R Yeh
(74) *Attorney, Agent, or Firm* — The Weintraub Group,
P.L.C.

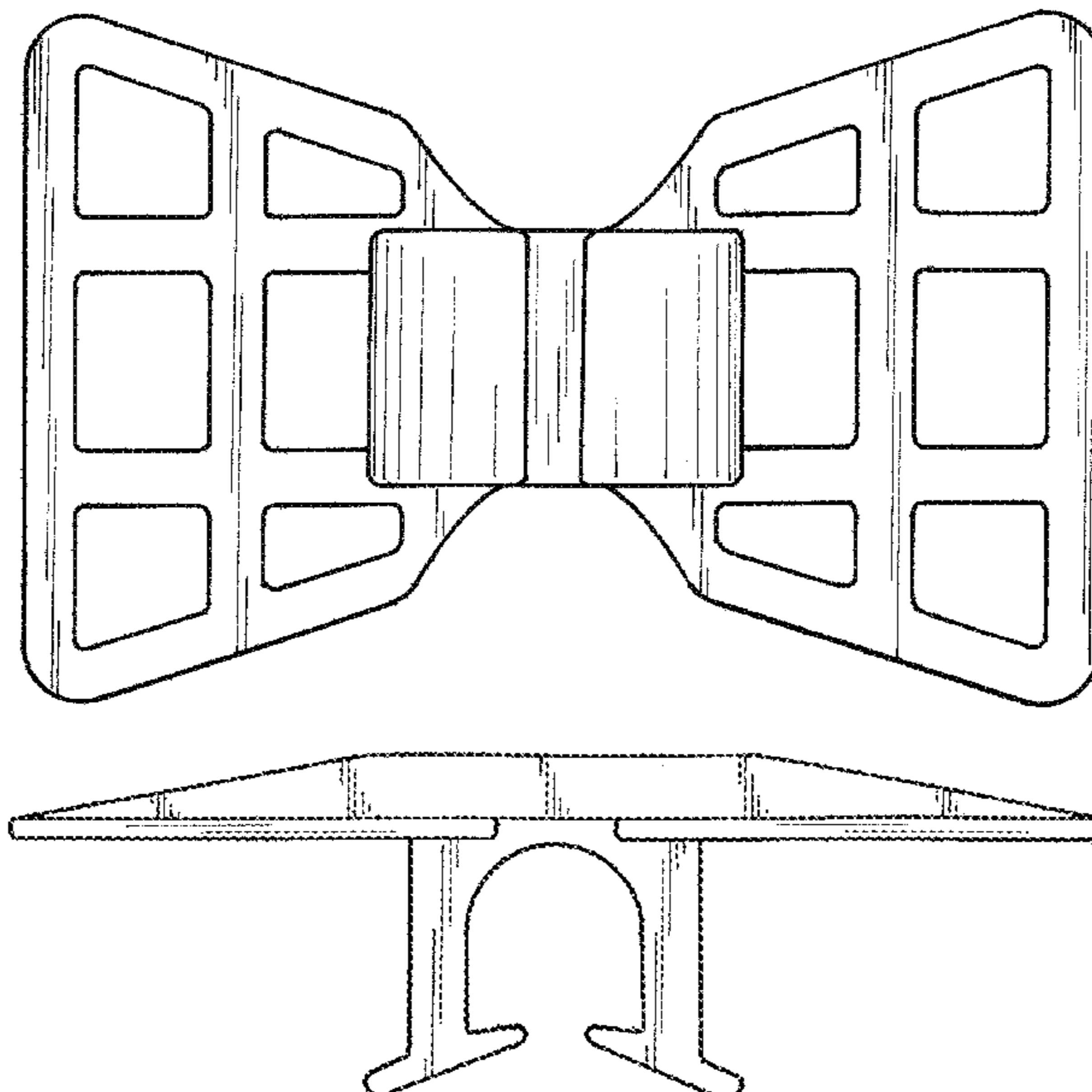
(56) **References Cited**
U.S. PATENT DOCUMENTS
1,414,708 A * 5/1922 Psilander E01B 5/18
238/21
1,988,173 A * 1/1935 Kersting B61K 7/16
188/2 R
D285,586 S * 9/1986 Murdough, Jr. D21/491
D306,136 S * 2/1990 Lund D8/373
4,962,907 A * 10/1990 Gary F21V 19/0005
248/205.3
D389,400 S * 1/1998 Liang D21/502
6,135,111 A * 10/2000 Mongeon A61M 16/04
128/200.21
D435,684 S * 12/2000 Gary D26/138
D515,411 S * 2/2006 Karl D8/395
D516,904 S * 3/2006 Kendrick D8/395
D549,566 S * 8/2007 Kamiya D8/395
D564,870 S * 3/2008 Niizuma D8/394

(57) **CLAIM**
The claim, the ornamental design for a clip, as shown and described.

DESCRIPTION

FIG. 1 is a top plan view of our new design for a clip;
FIG. 2 is a bottom view thereof;
FIG. 3 is a first side view thereof;
FIG. 4 is a second side view thereof;
FIG. 5 is an end view thereof; and,
FIG. 6 is a second end view thereof as seen from the
opposite end of FIG. 5.
The broken lines in the figures represent portions of the clip
that form no part of the claimed design.

1 Claim, 3 Drawing Sheets



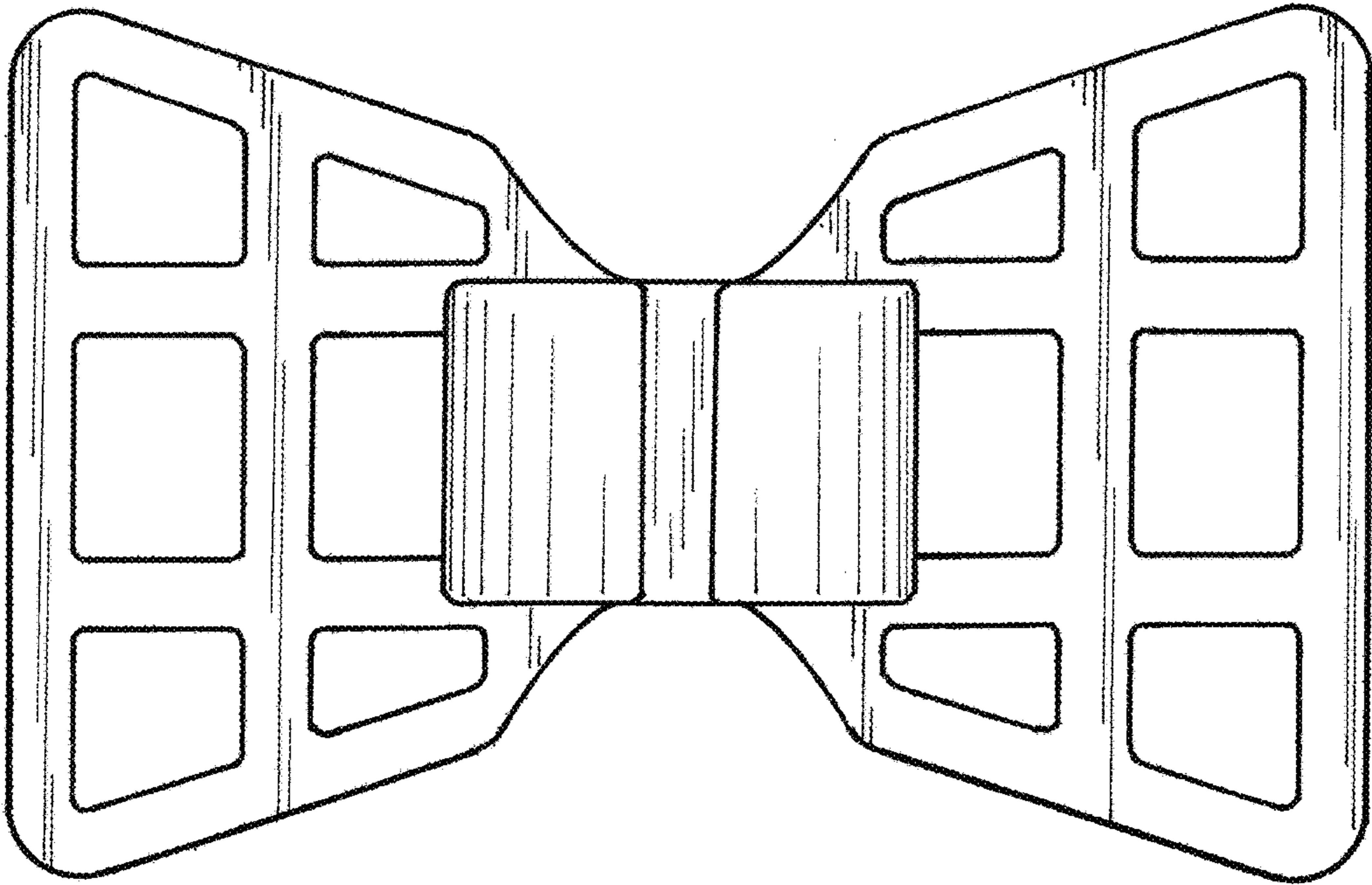


FIG.1

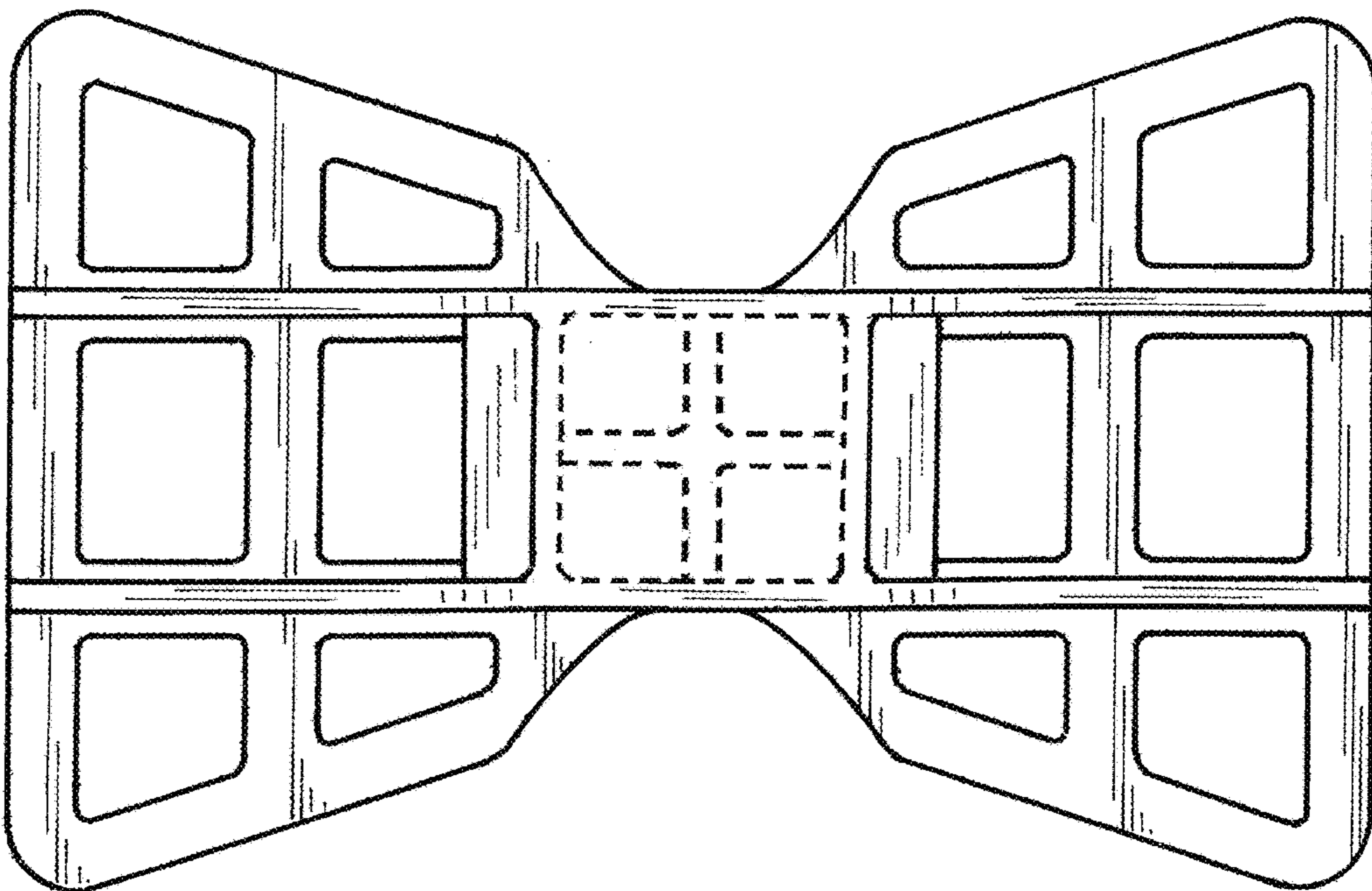


FIG.2

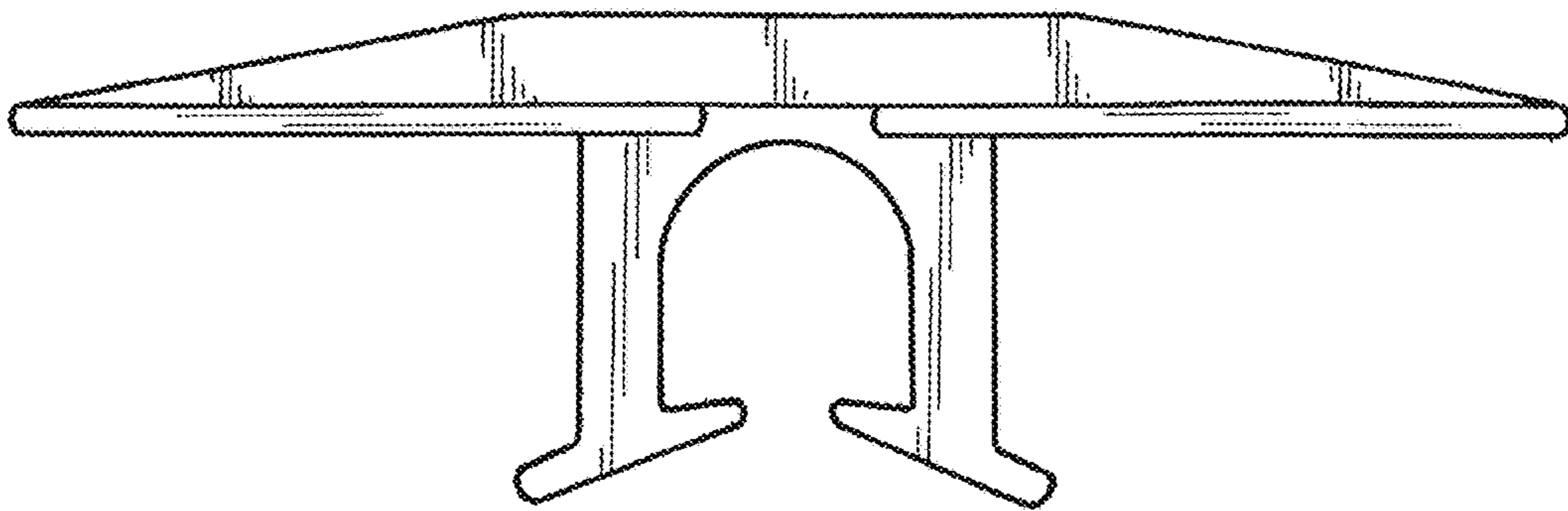


FIG.3

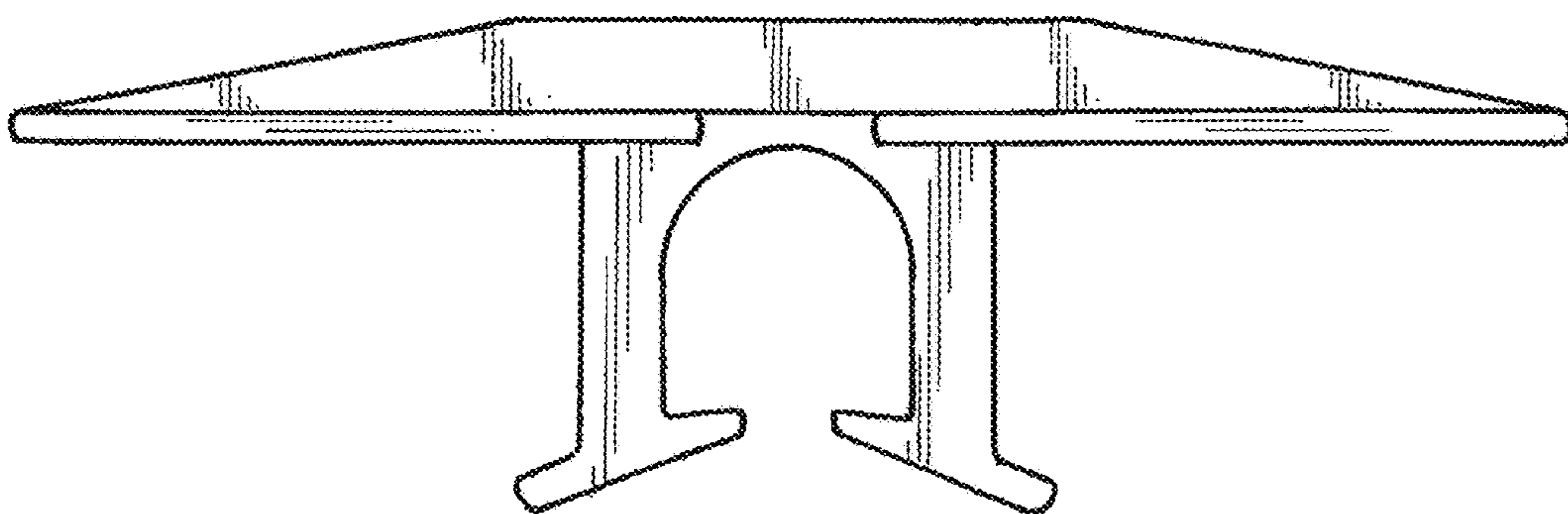


FIG.4

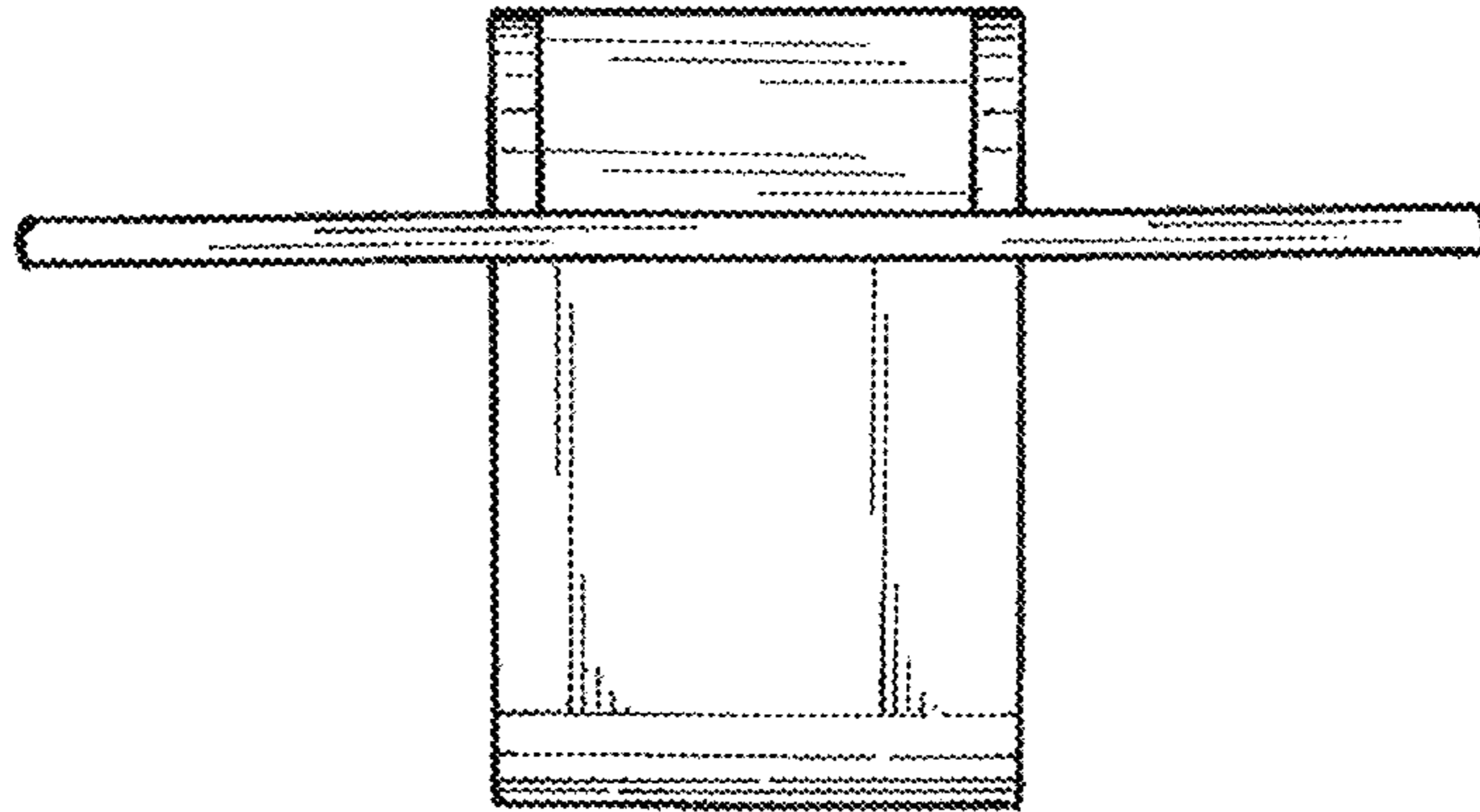


FIG. 5

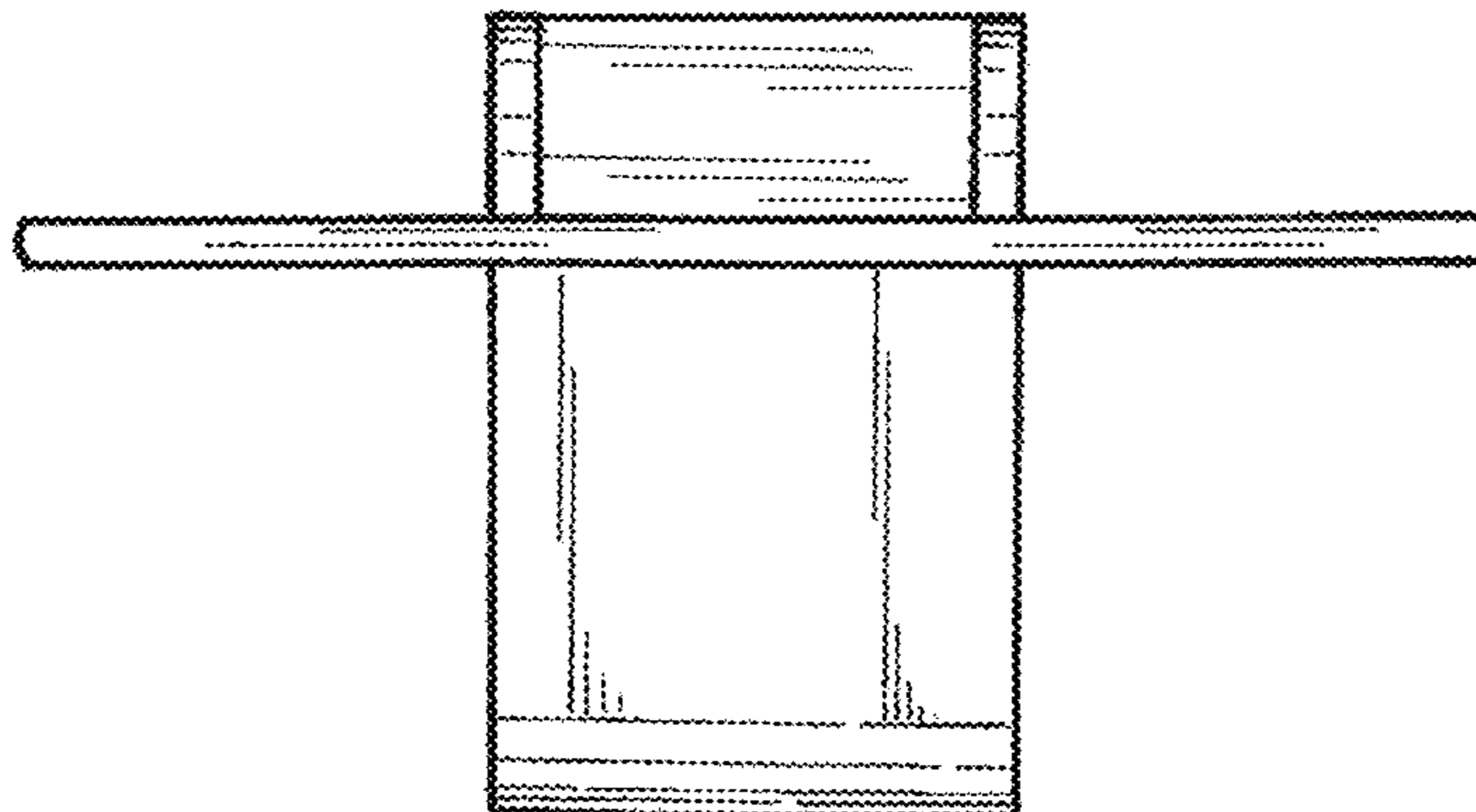


FIG. 6