



US00D825320S

(12) **United States Design Patent**
Manabe et al.

(10) **Patent No.:** **US D825,320 S**
(45) **Date of Patent:** **** Aug. 14, 2018**

(54) **TOOL FOR FIXING A TENSION MEMBER OF COMPOSITE STRAND FOR PRESTRESSED CONCRETE REINFORCEMENT AND POST TENSIONING CONCRETE STRUCTURE**

(71) Applicant: **TOKYO ROPE MFG. CO., LTD.**,
Chuo-ku, Tokyo (JP)

(72) Inventors: **Daisuke Manabe**, Kasumigaura Ibaraki (JP); **Shunji Hachisuka**, Kasumigaura Ibaraki (JP); **Hiroshi Kimura**, Noda Chiba (JP); **Fumihiko Matsuda**, Kasumigaura Ibaraki (JP); **Kohsuke Ashiduka**, Chikushino Fukuoka (JP)

(73) Assignee: **TOKYO ROPE MFG. CO., LTD.**,
Tokyo (JP)

(**) Term: **15 Years**

(21) Appl. No.: **29/608,801**

(22) Filed: **Jun. 26, 2017**

Related U.S. Application Data

(62) Division of application No. 29/564,839, filed on May 16, 2016, now Pat. No. Des. 815,940.

(30) **Foreign Application Priority Data**

Dec. 21, 2015 (JP) 2015-028362
Dec. 21, 2015 (JP) 2015-028363

(51) **LOC (11) Cl.** **08-08**

(52) **U.S. Cl.**
USPC **D8/383**; D8/382

(58) **Field of Classification Search**
USPC D8/383, 382, 385, 393, 394, 396, 499,
D8/354, 355, 14, 44, 47, 71, 72

(Continued)

(56) **References Cited**

U.S. PATENT DOCUMENTS

1,401,494 A * 12/1921 Rhorer F16G 11/048
24/136 R

1,408,144 A 2/1922 Snow et al.
(Continued)

Primary Examiner — Sandra S Snapp

Assistant Examiner — Ieisha N Price

(74) *Attorney, Agent, or Firm* — Holtz, Holtz & Volek PC

(57) **CLAIM**

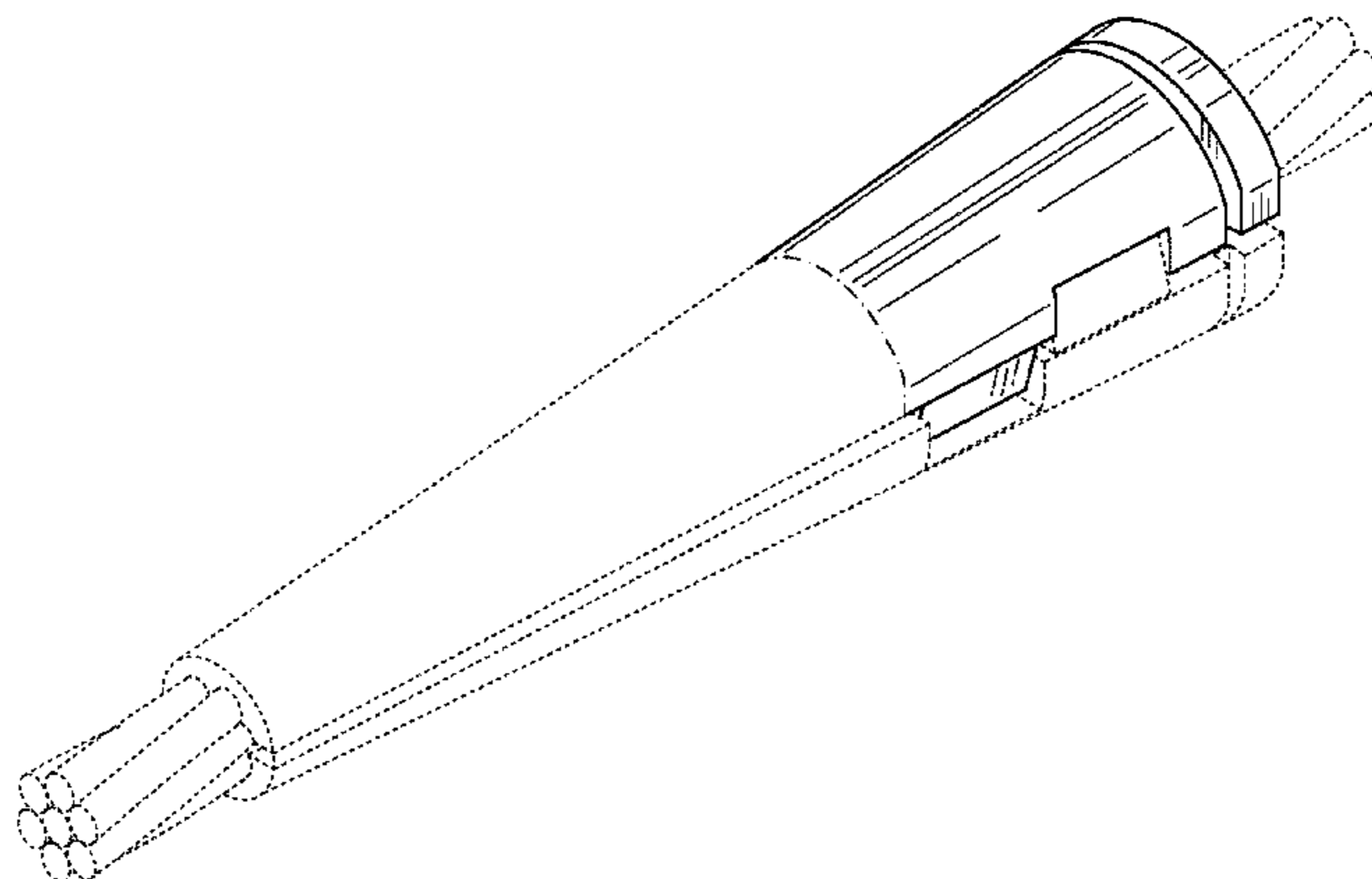
The ornamental design for a tool for fixing a tension member of composite strand for prestressed concrete reinforcement and post tensioning concrete structure, as shown and described.

DESCRIPTION

FIG. 1 is a front, bottom and left side perspective view of an embodiment of a tool for fixing a tension member of composite strand for prestressed concrete reinforcement and post tensioning concrete structure, showing our new design; FIG. 2 is a front view thereof; FIG. 3 is a rear view thereof; FIG. 4 is a top view thereof; FIG. 5 is a bottom view thereof; FIG. 6 is a left side view thereof; FIG. 7 is a right side view thereof; FIG. 8 is an enlarged sectional view thereof; taken along line 8-8 in FIG. 2; FIG. 9 is an enlarged sectional view thereof; taken along line 9-9 in FIG. 2; and, FIG. 10 is a perspective view showing the state of use thereof.

The broken lines in the drawings illustrate portions of the tool for fixing a tension member of composite strand for prestressed concrete reinforcement and post tensioning concrete structure and form no part of the claimed design. The broken line showing of the cable in FIG. 9 illustrates the environment of the claimed design and forms no part

(Continued)



thereof. The dot-dash-dot broken lines in the drawings define the bounds of the claim and form no part thereof.

1 Claim, 6 Drawing Sheets

(58) Field of Classification Search

CPC . D07B 1/18; D07B 1/005; D07B 9/00; D07B 2201/2083; D07B 2201/2084; D07B 2201/2085; D07B 2201/2089; F16G 11/00; F16G 11/03; F16G 11/04; F16G 11/048; F16G 11/08; F16G 11/10; F16G 11/105; F16G 11/108

See application file for complete search history.

(56) References Cited

U.S. PATENT DOCUMENTS

1,600,521 A	9/1926	Smith et al.
1,797,194 A	3/1931	Knapp et al.
1,857,436 A	5/1932	Cole et al.
1,894,389 A	1/1933	Zapf et al.
2,075,335 A	3/1937	Brown et al.

2,180,866 A *	11/1939	Cryer	E01F 15/06 24/136 R
2,341,922 A *	2/1944	Robbins	F16G 11/048 294/102.1
3,254,383 A	6/1966	Ehmann et al.	
3,374,511 A	3/1968	Barker et al.	
3,475,795 A	11/1969	Youngblood et al.	
3,600,014 A	8/1971	Harris et al.	
3,676,899 A	7/1972	Ehlert et al.	
3,879,147 A	4/1975	Morell et al.	
3,952,377 A	4/1976	Morell et al.	
4,066,368 A	1/1978	Dziedzic et al.	
4,509,233 A	4/1985	Shaw et al.	
5,000,611 A *	3/1991	Reinhart	F16B 11/008 156/294
5,211,500 A	5/1993	Kimura et al.	
5,233,730 A	8/1993	Gendron et al.	
5,369,849 A	12/1994	Defrance et al.	
6,015,953 A	1/2000	Tosaka et al.	
D775,085 S	12/2016	Hachisuka et al.	
9,664,328 B2 *	5/2017	Tjader	E21B 7/205
2002/0076274 A1	6/2002	Carlsen et al.	
2012/0141198 A1	6/2012	Kondo et al.	
2012/0240365 A1	9/2012	Van Der Ende	
2016/0237615 A1	8/2016	Tamura et al.	

* cited by examiner

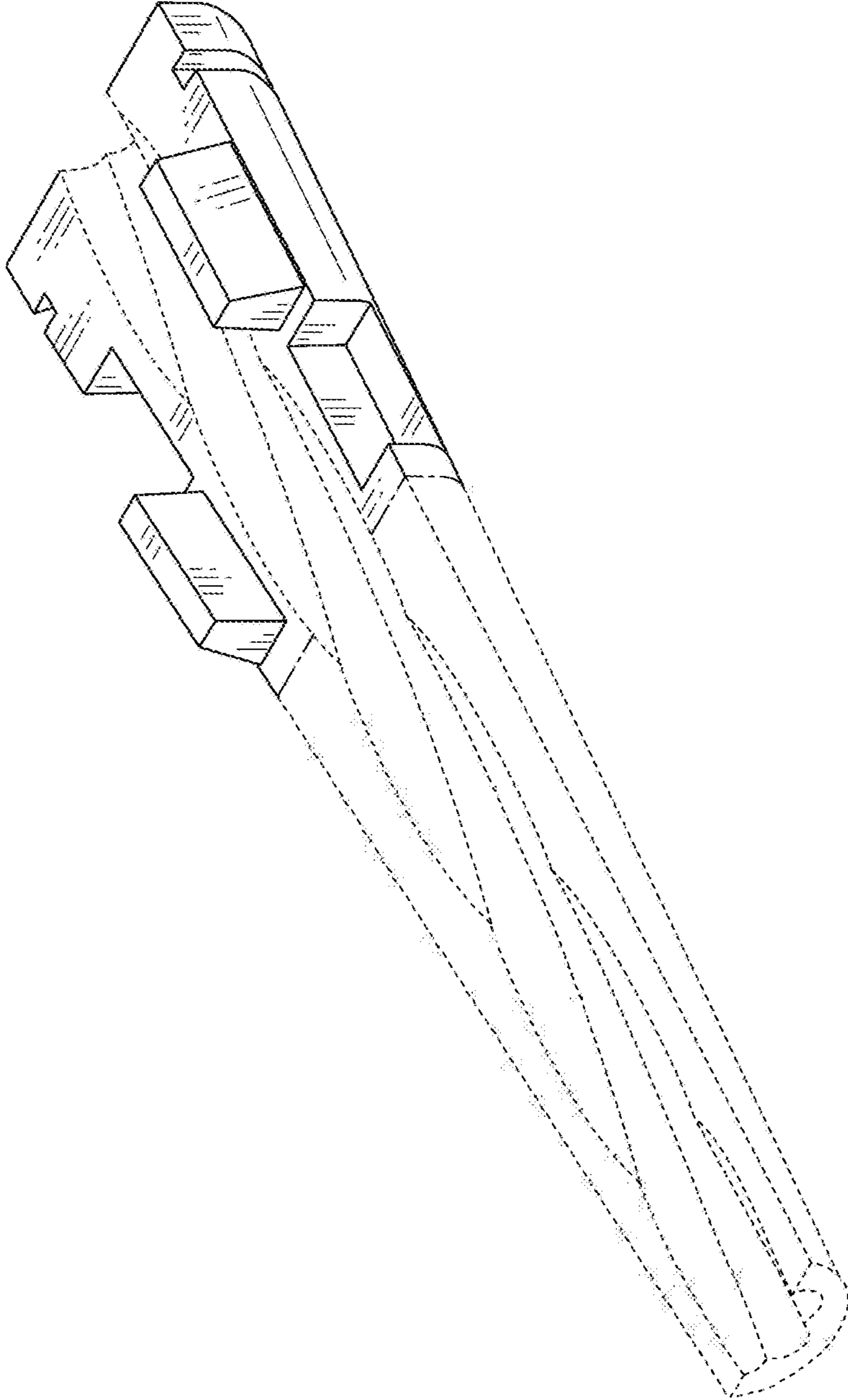


Fig. 1

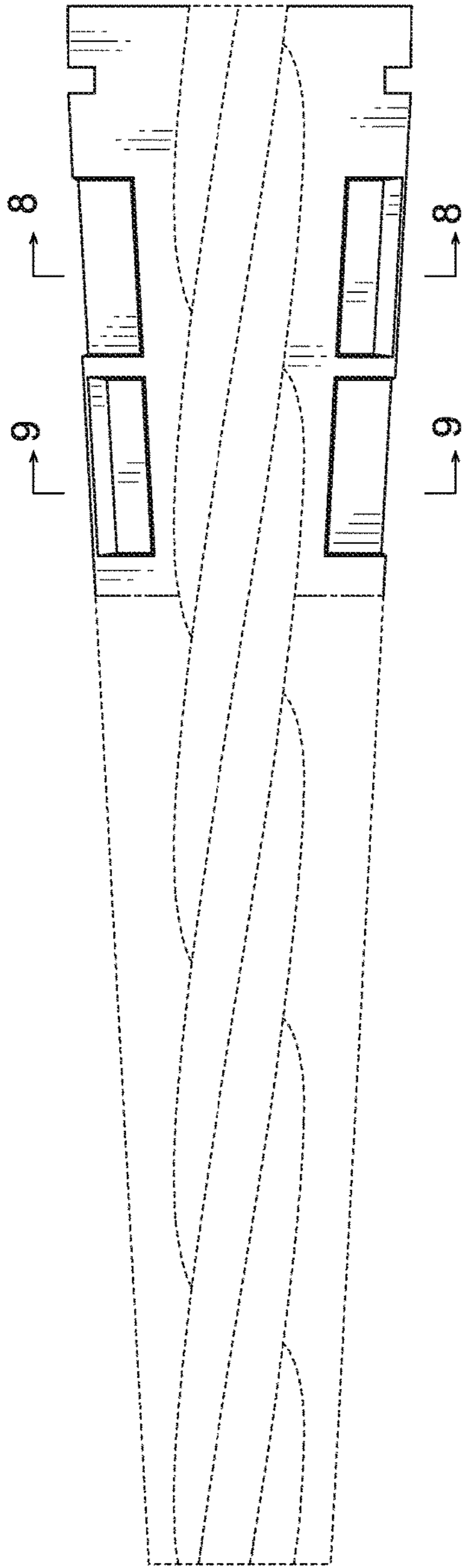


Fig. 2

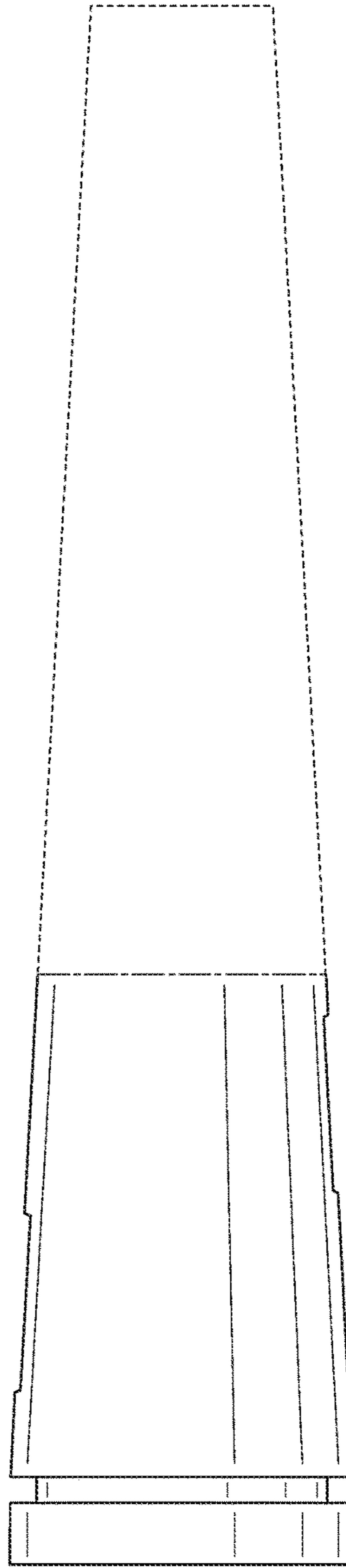


Fig. 3

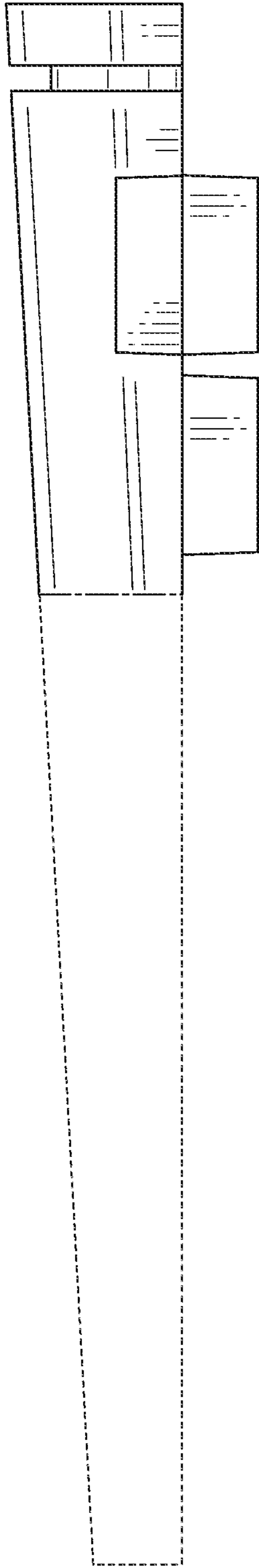


Fig. 4

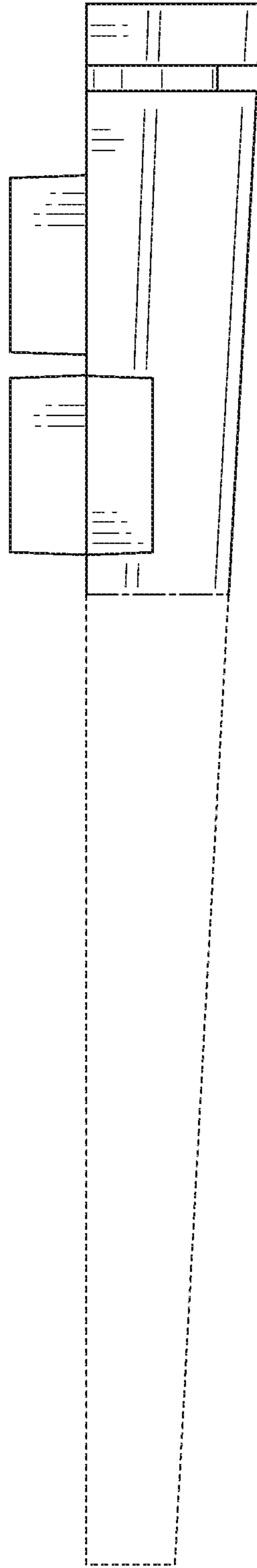


Fig. 5

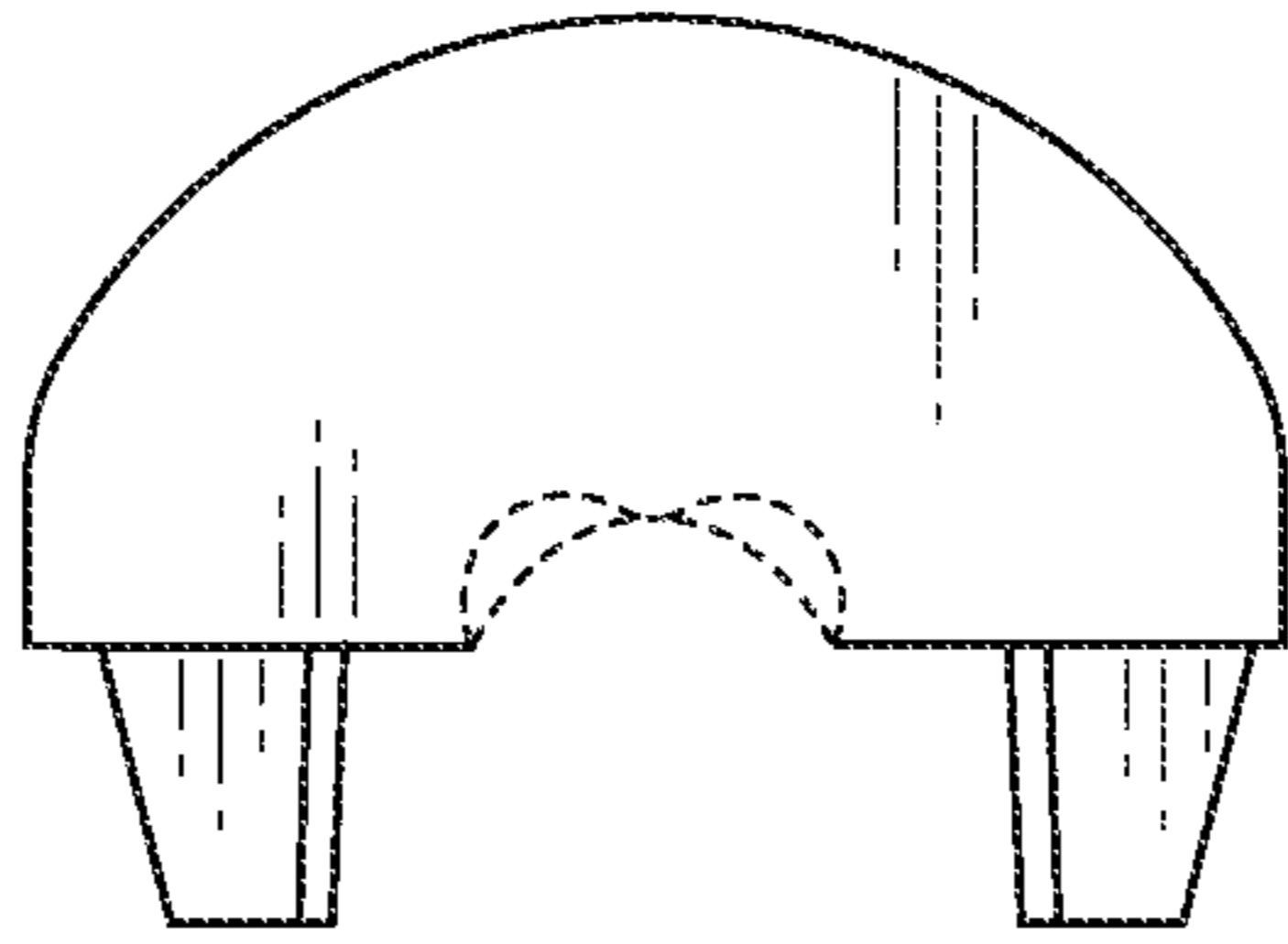


Fig. 7

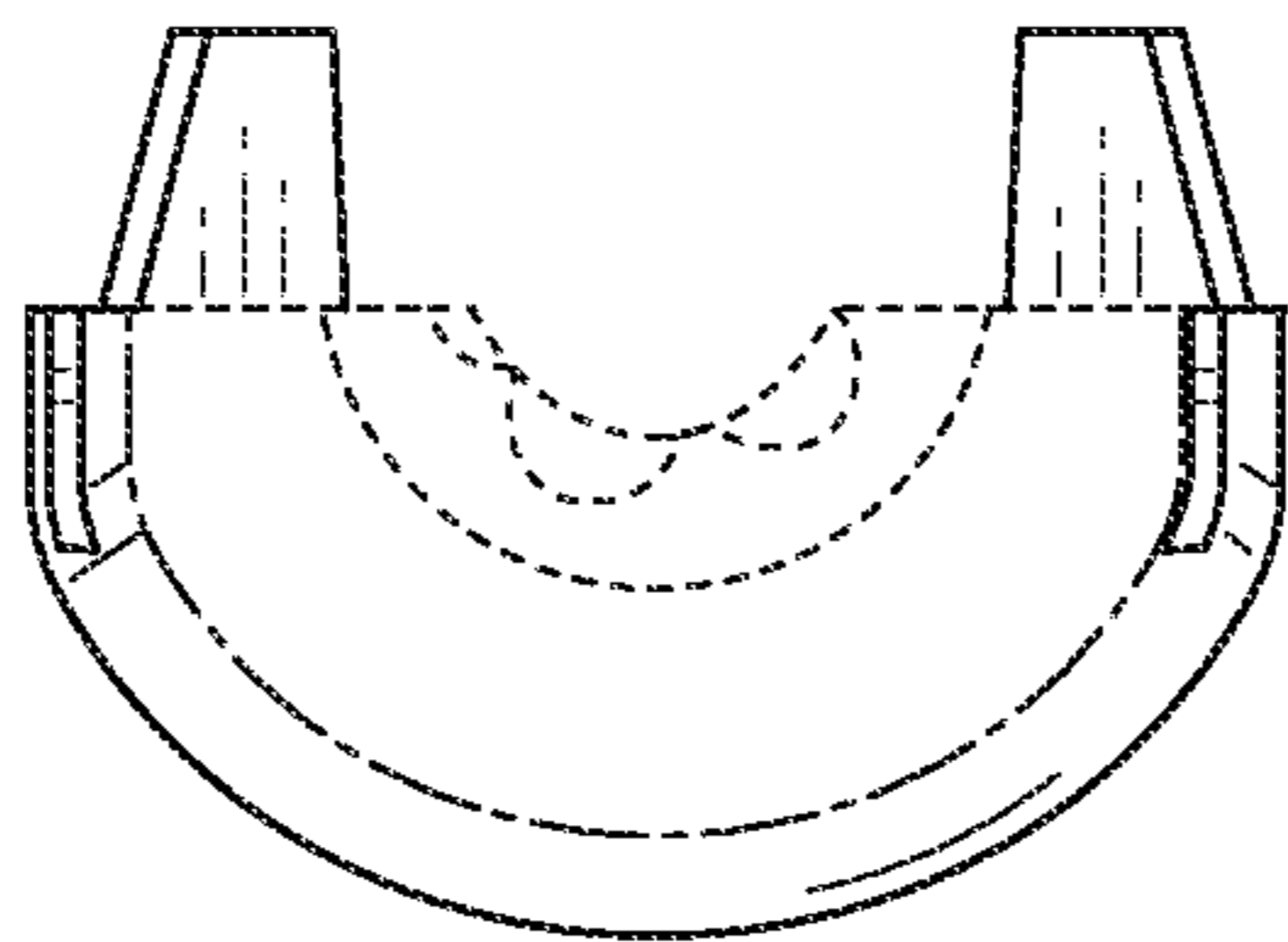


Fig. 6

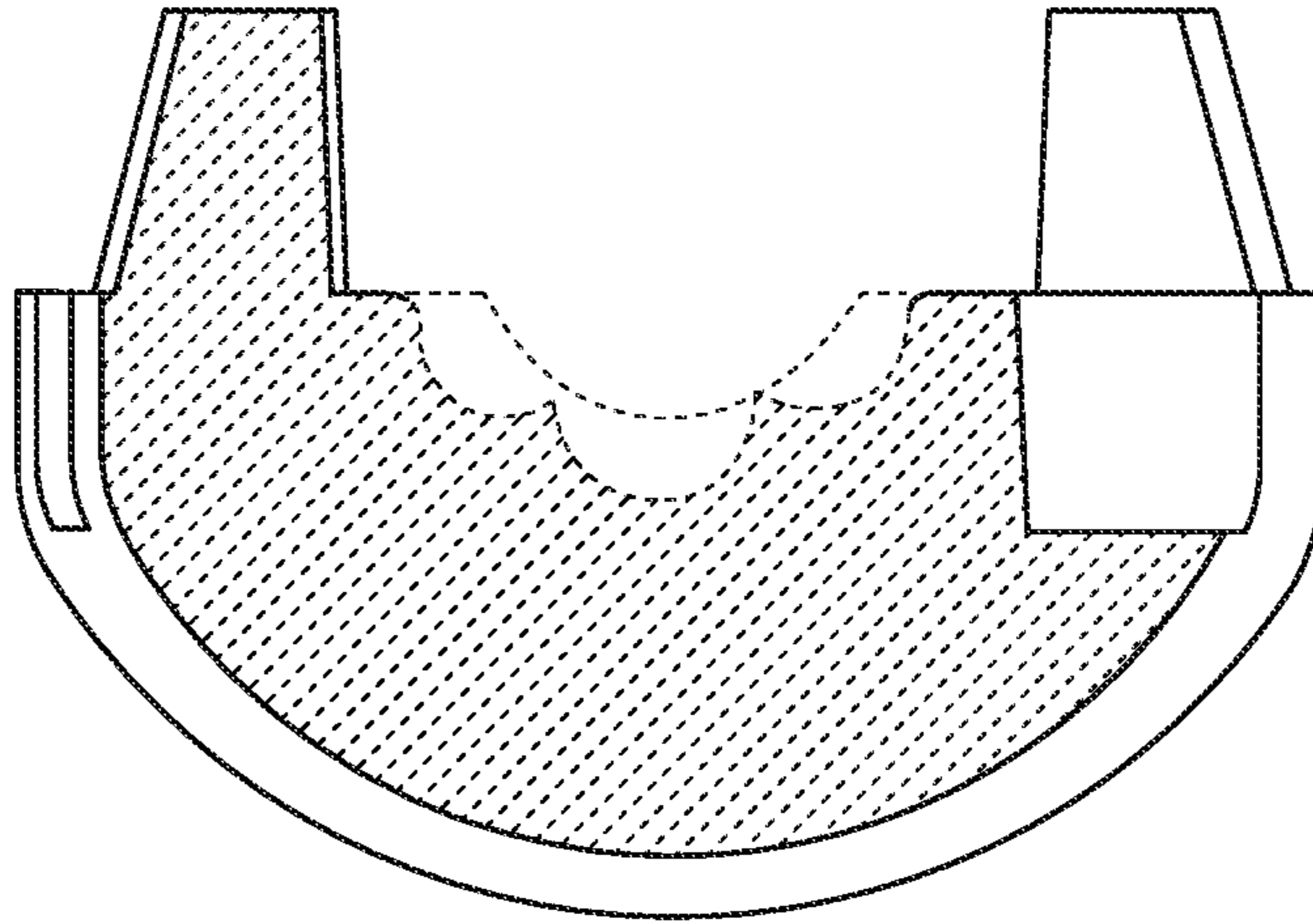


Fig. 9

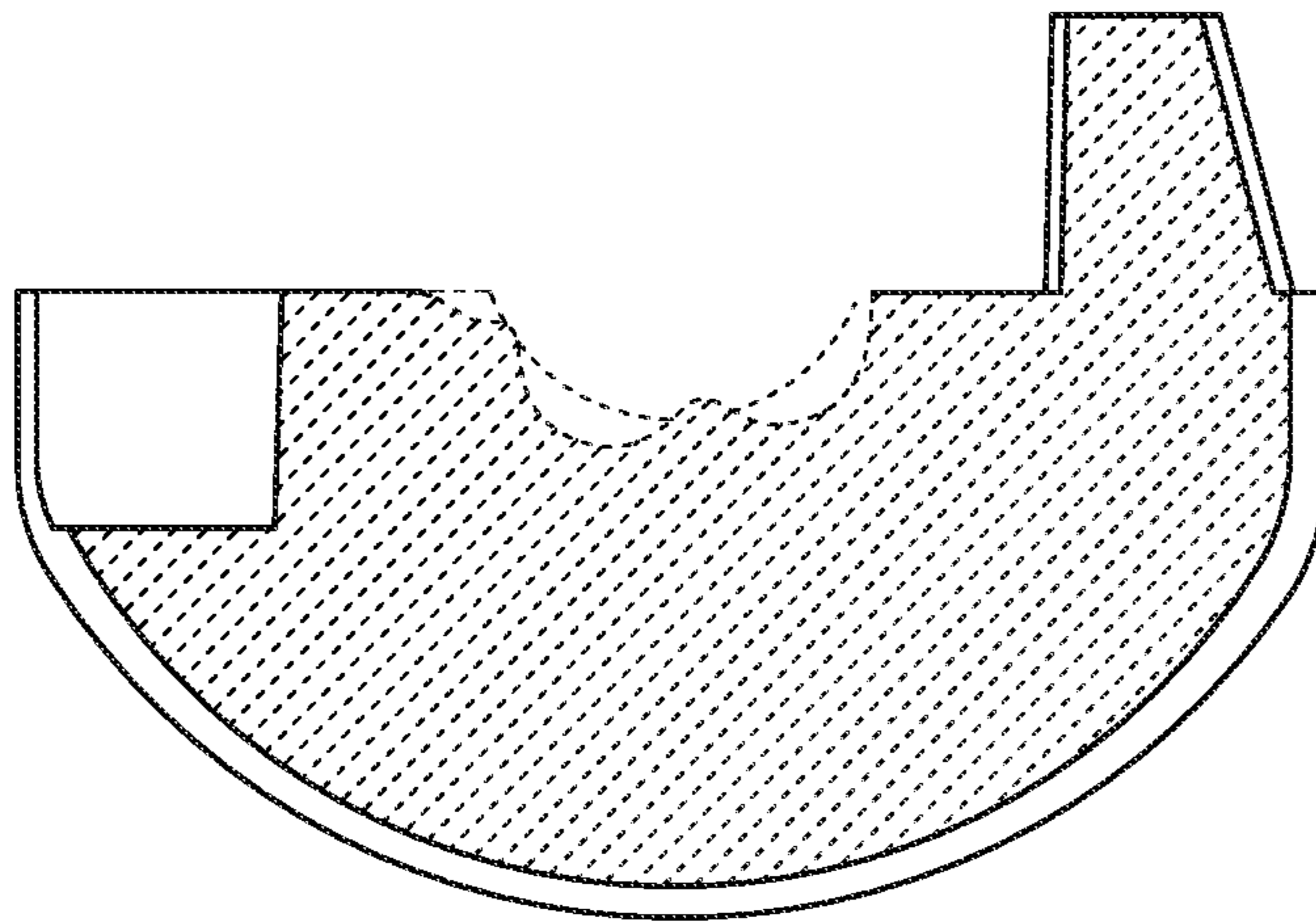


Fig. 8

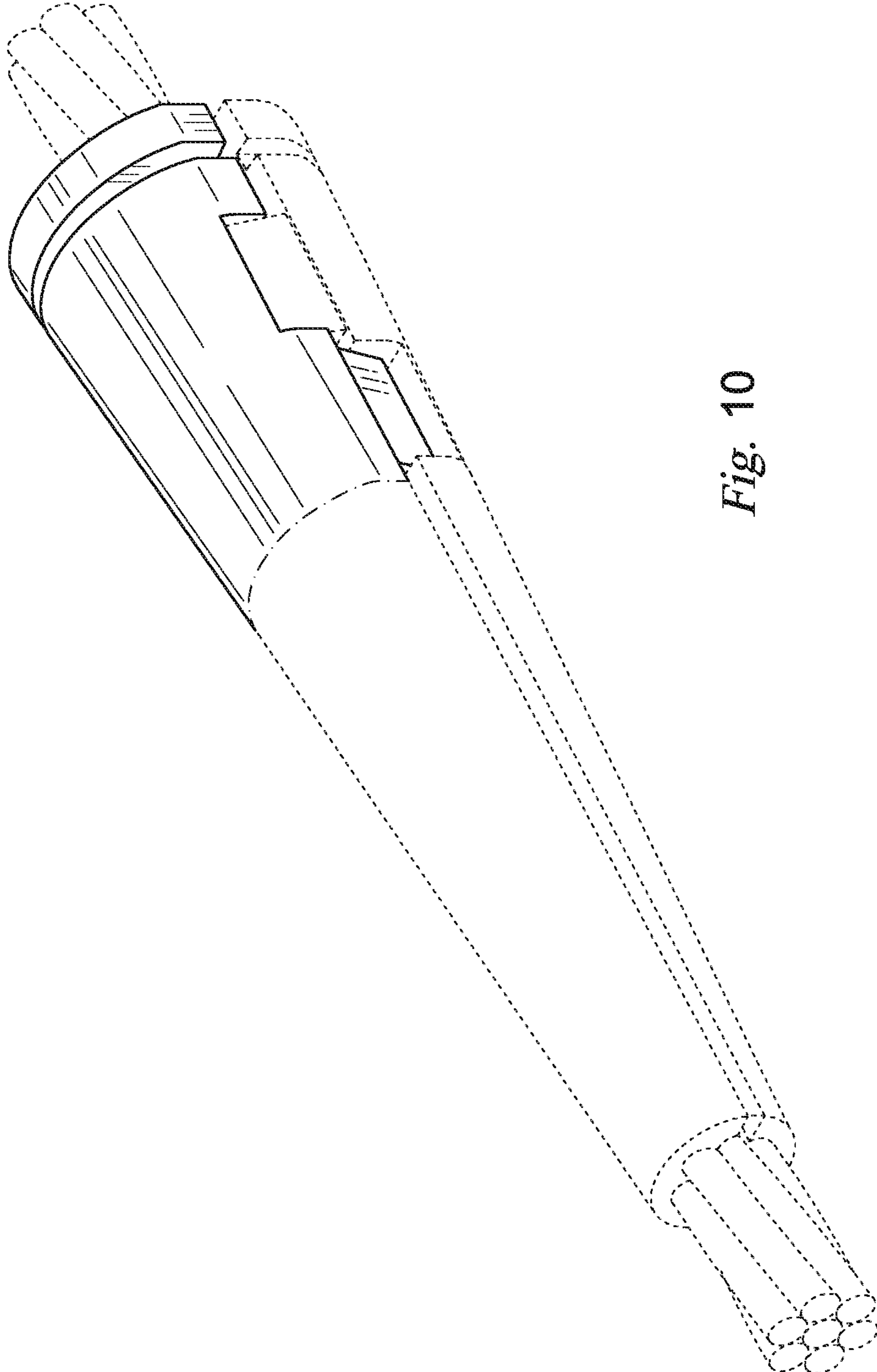


Fig. 10