



US00D825319S

(12) **United States Design Patent**
Zussman

(10) **Patent No.:** **US D825,319 S**

(45) **Date of Patent:** **** Aug. 14, 2018**

- (54) **RETAIL SHELF BRACKET**
- (71) Applicant: **Daniel R. Zussman**, Pawtucket, RI (US)
- (72) Inventor: **Daniel R. Zussman**, Pawtucket, RI (US)
- (73) Assignee: **PLASTICS PLUS INC.**, Cumberland, RI (US)
- (**) Term: **15 Years**
- (21) Appl. No.: **29/620,968**
- (22) Filed: **Sep. 15, 2017**
- (51) **LOC (11) Cl.** **08-05**
- (52) **U.S. Cl.**
USPC **D8/381**
- (58) **Field of Classification Search**
USPC D8/394, 381, 380, 373, 371, 366, 354, D8/349; D25/132, 131, 126, 123; D6/574, 511, 479, 478, 474, 466, 463, D6/436, 399
CPC A47B 57/40; A47B 57/408; A47B 96/067; A47F 5/08
See application file for complete search history.

- 7,740,144 B2 * 6/2010 Kosir A47F 5/08 211/113
- D650,264 S * 12/2011 Smalley D8/381
- D660,688 S * 5/2012 Kosir D8/373
- 9,157,463 B2 * 10/2015 Lin F16B 12/10

* cited by examiner

Primary Examiner — Brandon M Rosati

Assistant Examiner — Harold E Blackwell, II

(74) *Attorney, Agent, or Firm* — Robert J Doherty

(57) **CLAIM**

The ornamental design for a retail shelf bracket, as shown and described.

DESCRIPTION

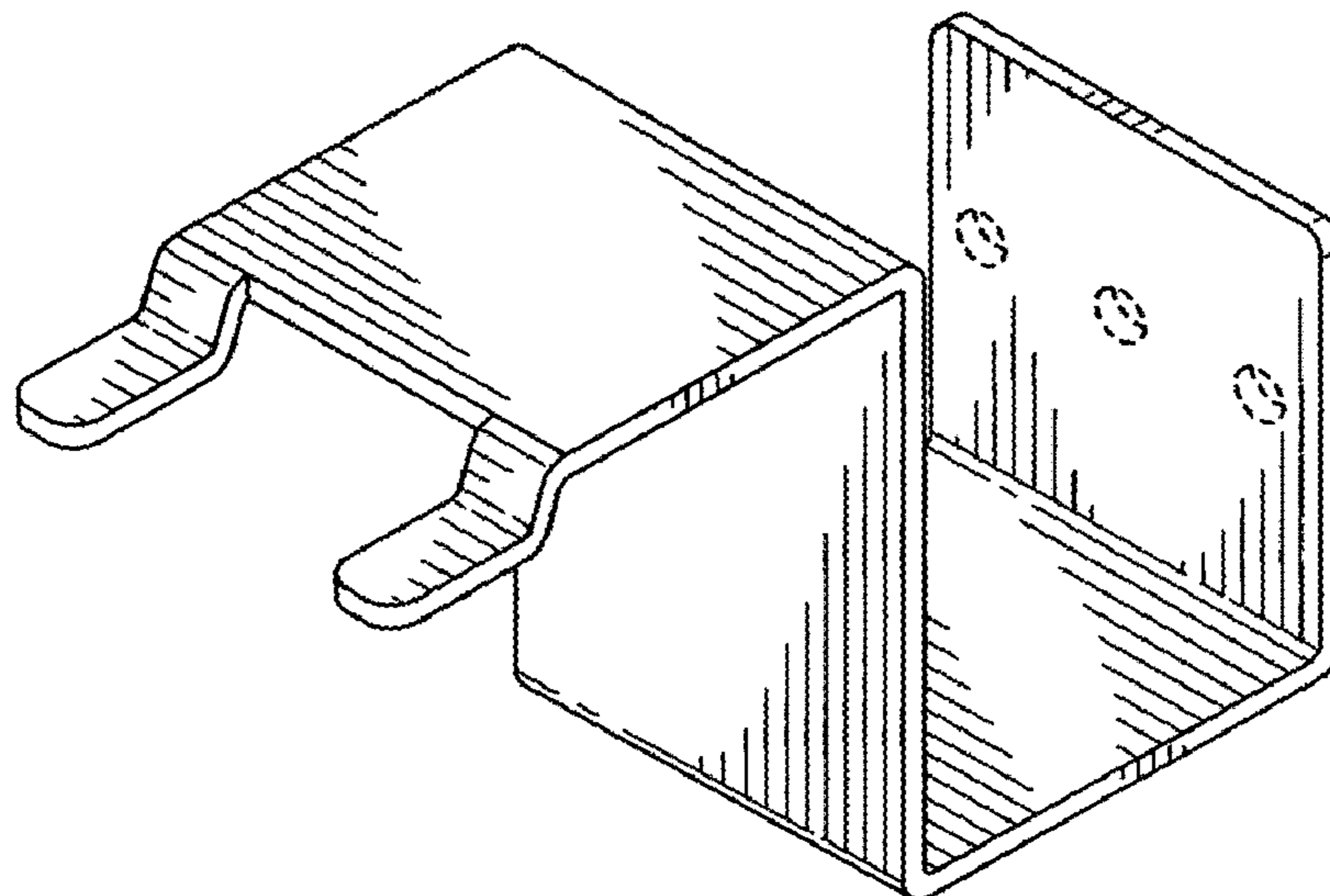
FIG. 1 is a side perspective view of a retail shelf bracket showing my new design;
 FIG. 2 is a top plan view of FIG. 1;
 FIG. 3 is a bottom plan view of FIG. 1;
 FIG. 4 is a front elevation view of FIG. 1;
 FIG. 5 is a rear elevation view of FIG. 1;
 FIG. 6 is a right side elevation view of FIG. 1;
 FIG. 7 is a left side elevation view of FIG. 1;
 FIG. 8 is a side perspective view of another form of my invention;
 FIG. 9 is a top plan view of FIG. 8;
 FIG. 10 is a bottom plan view of FIG. 8;
 FIG. 11 is a front elevation view of FIG. 8;
 FIG. 12 is a rear elevation view of FIG. 8;
 FIG. 13 is a right side elevation view of FIG. 8; and,
 FIG. 14 is a left side elevation view of FIG. 8.
 The broken lines in the drawings illustrate environmental portions of a retail shelf bracket which form no part of the claimed design.

(56) **References Cited**

U.S. PATENT DOCUMENTS

- 5,456,435 A * 10/1995 Sweeney A47B 57/40 211/90.01
- D442,076 S * 5/2001 Swanson D8/373
- D491,054 S * 6/2004 Caterinacci, Jr. D8/381
- D551,953 S * 10/2007 Smalley D8/381
- D568,728 S * 5/2008 Zadak D8/380

1 Claim, 8 Drawing Sheets



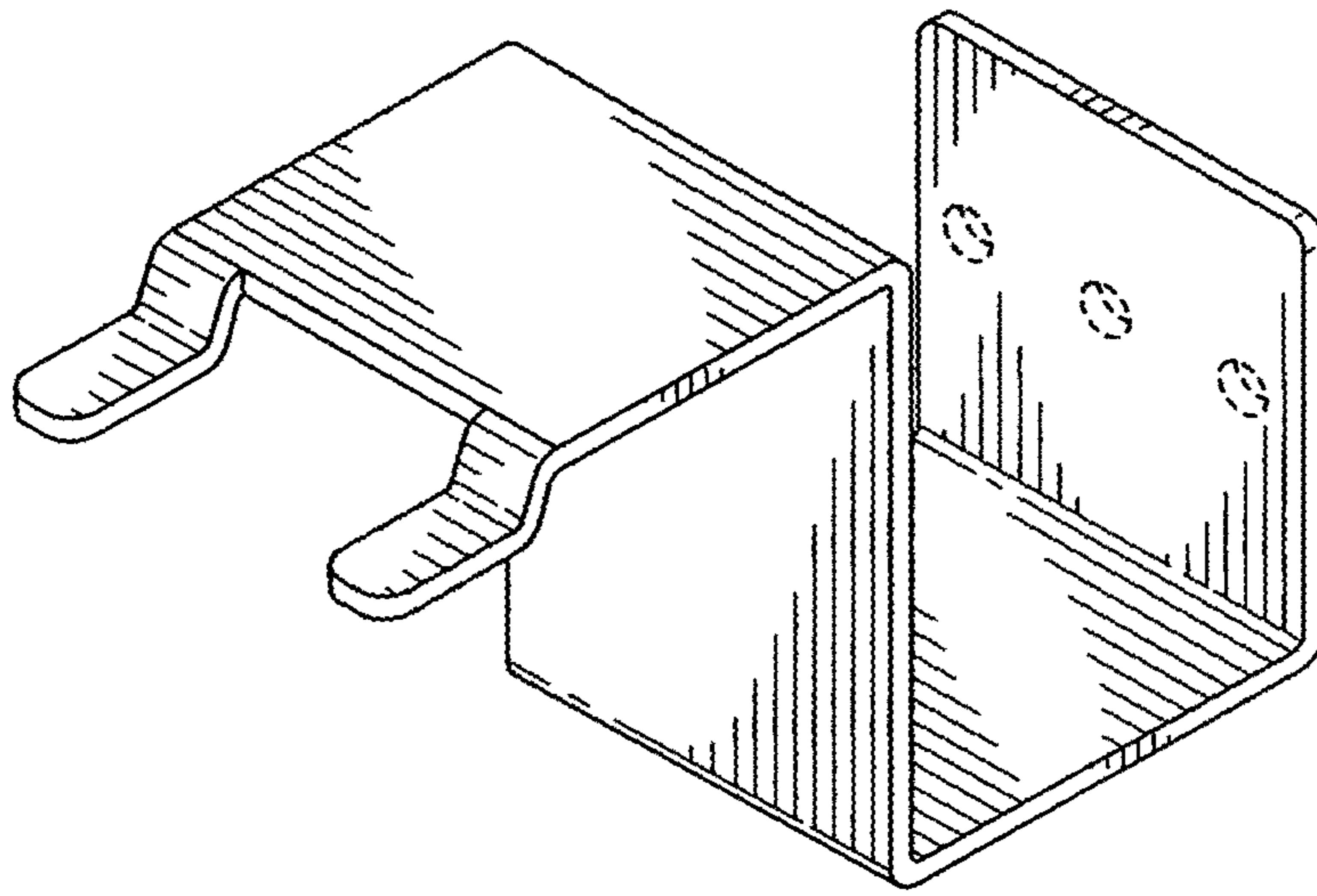


FIG. 1

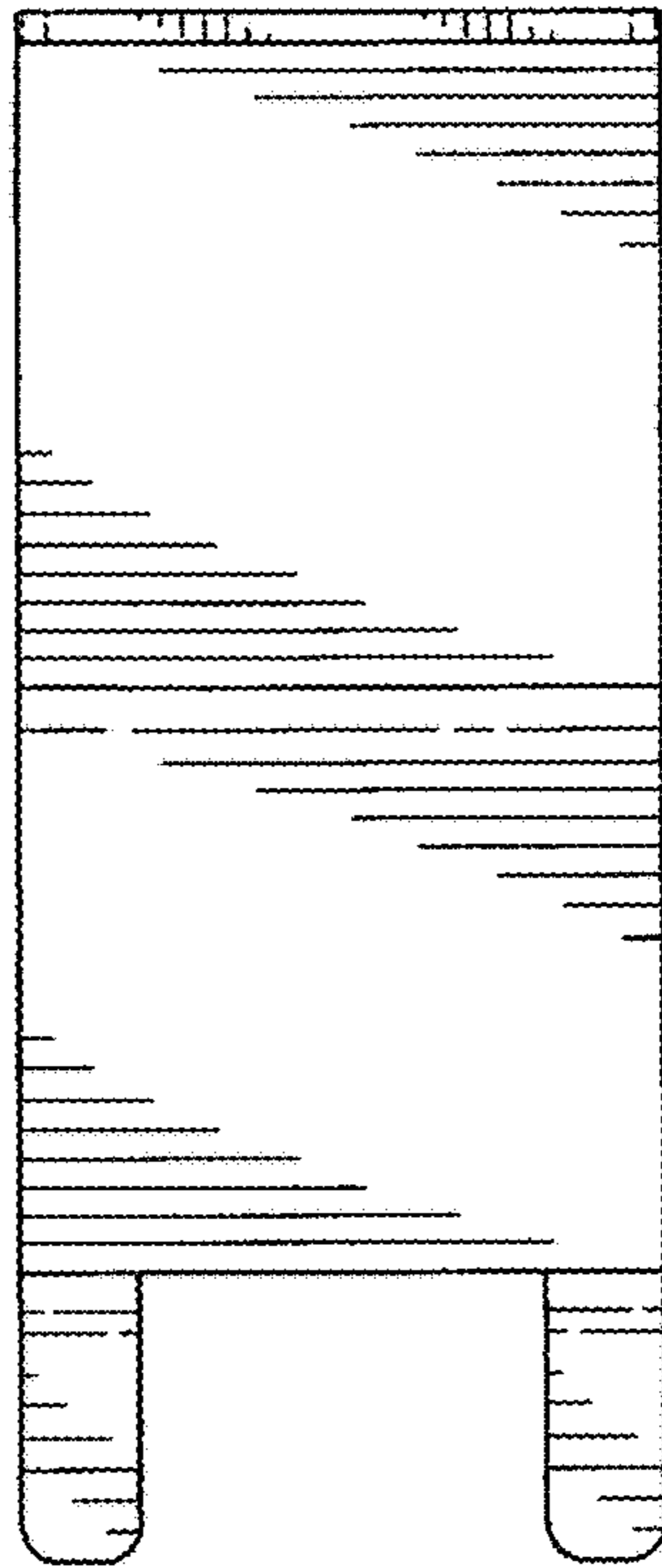


FIG. 2

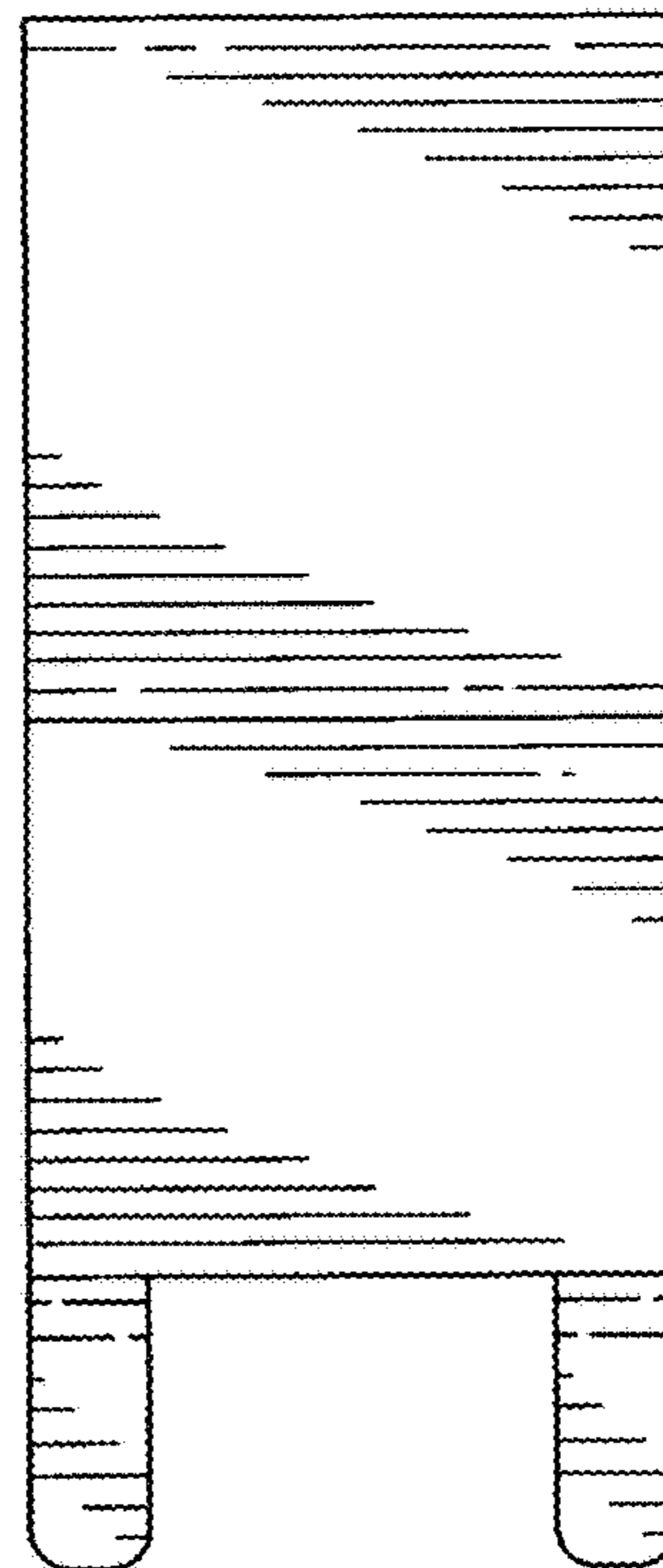


FIG. 3

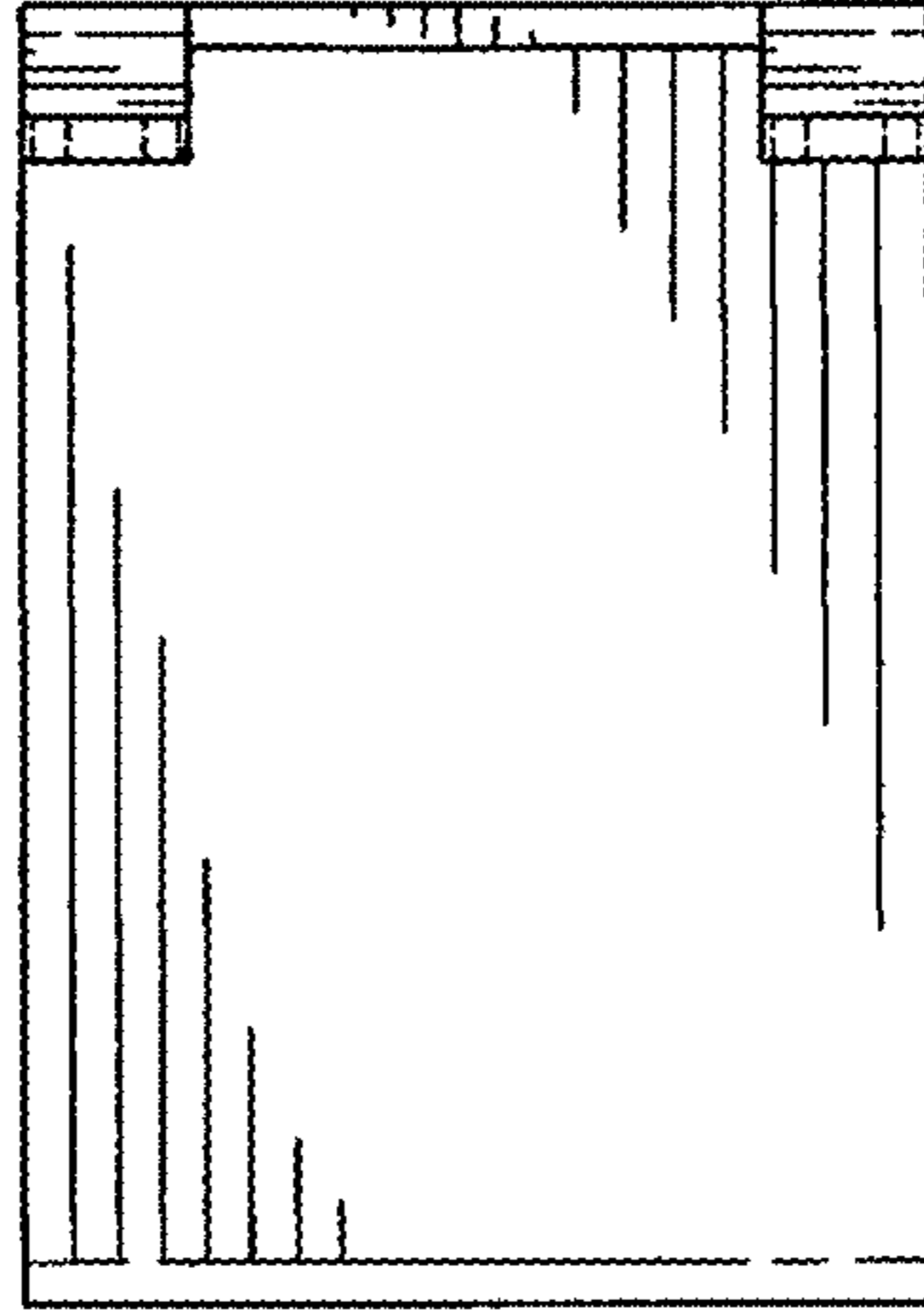


FIG. 4

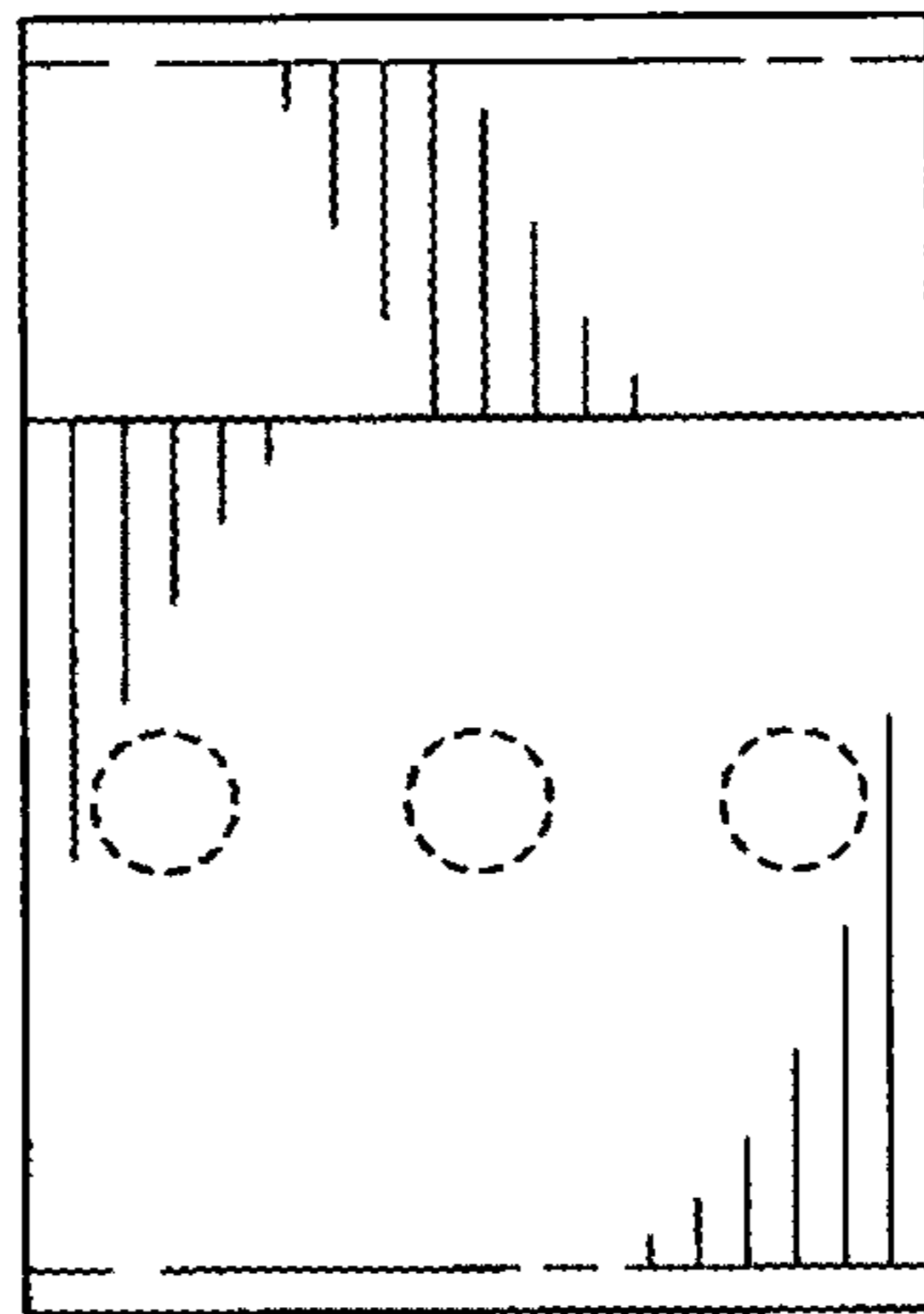


FIG. 5

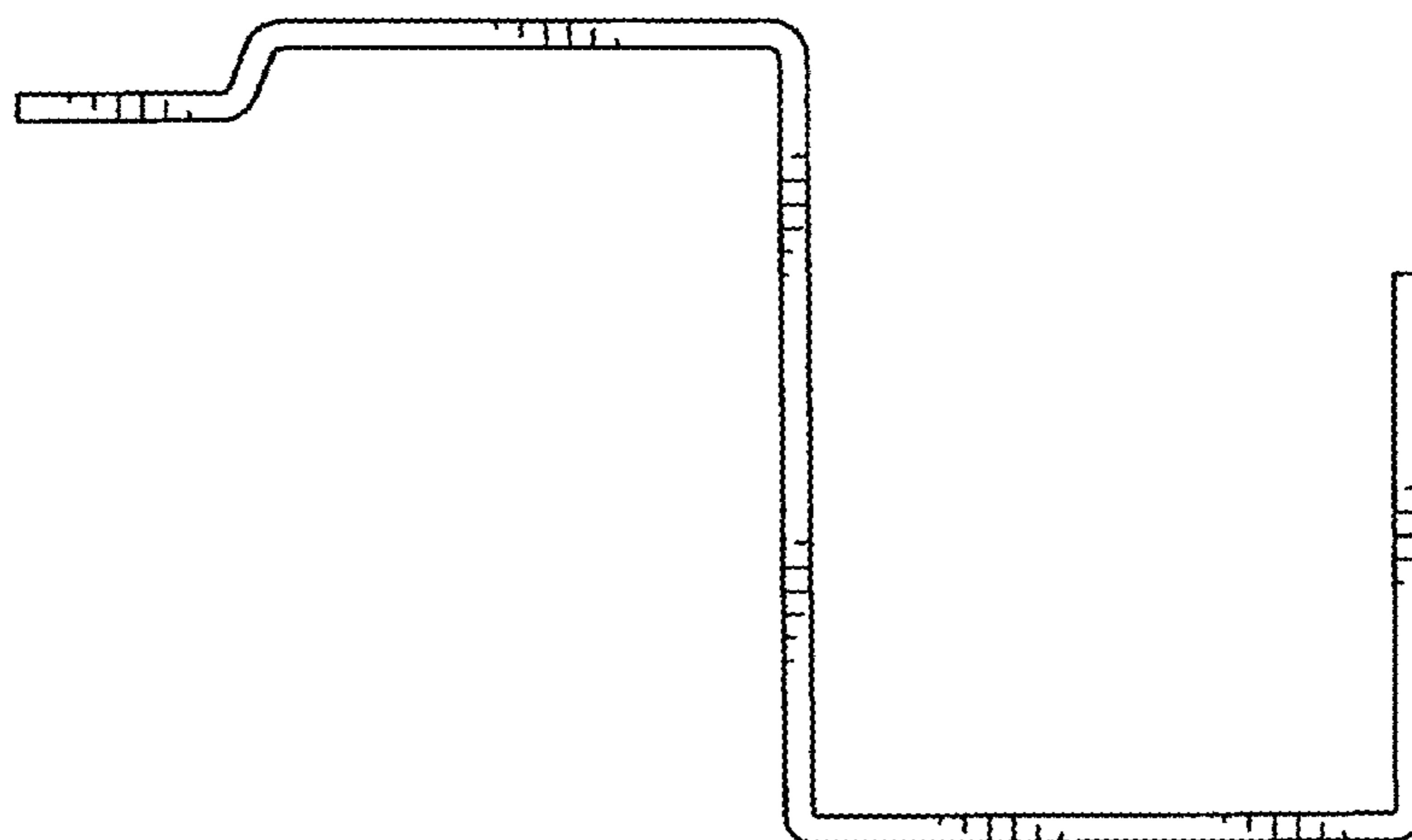


FIG. 6

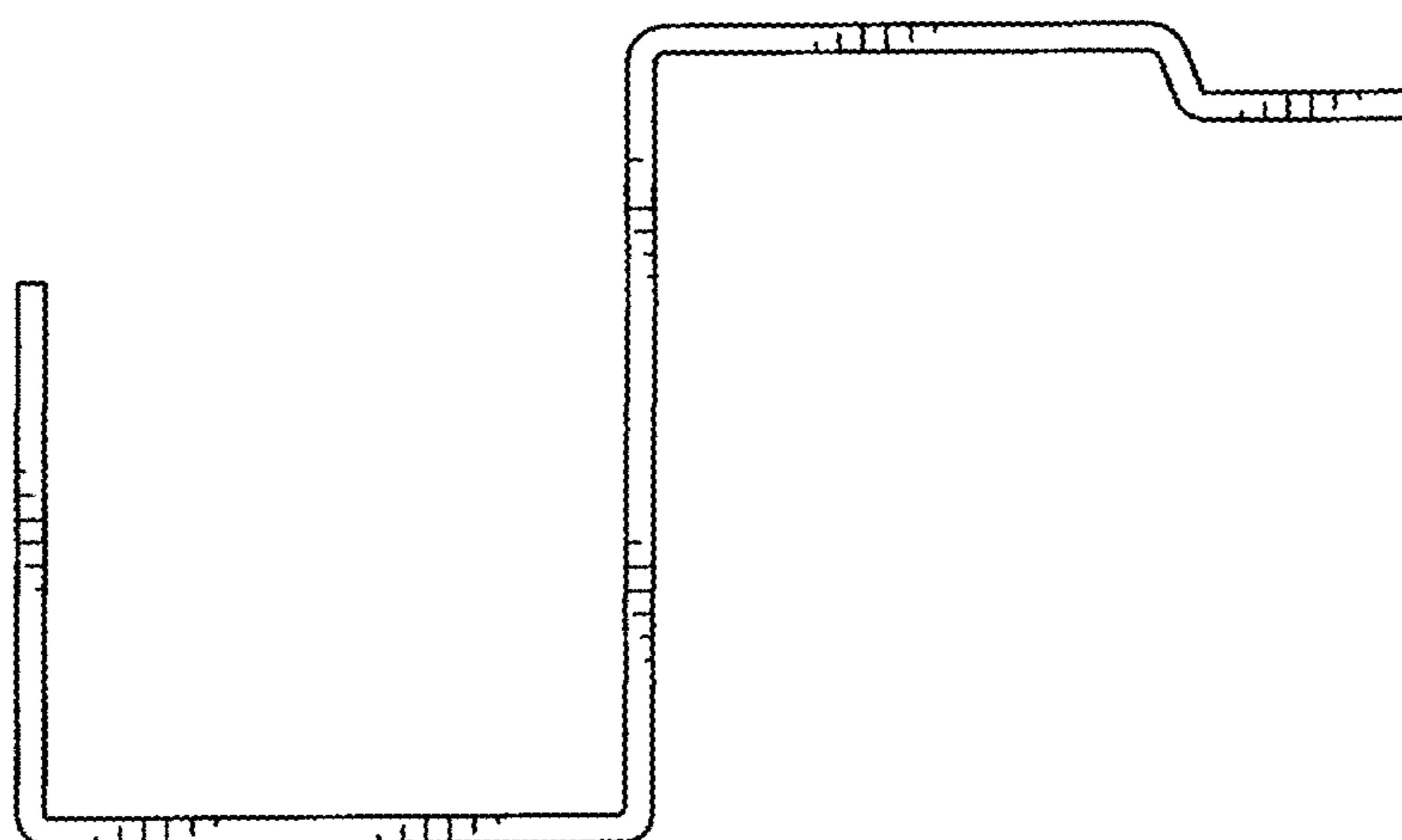


FIG. 7

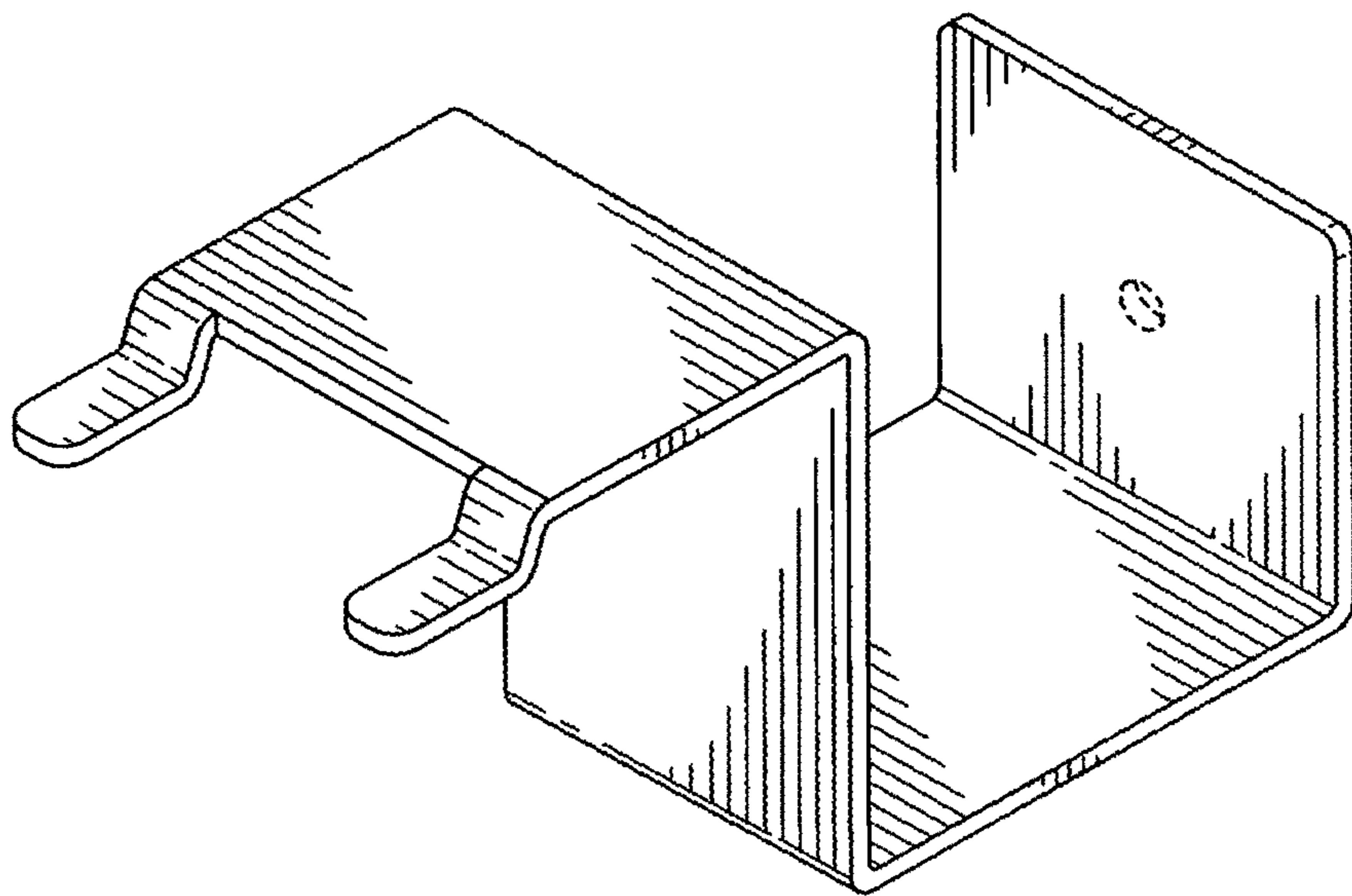


FIG. 8

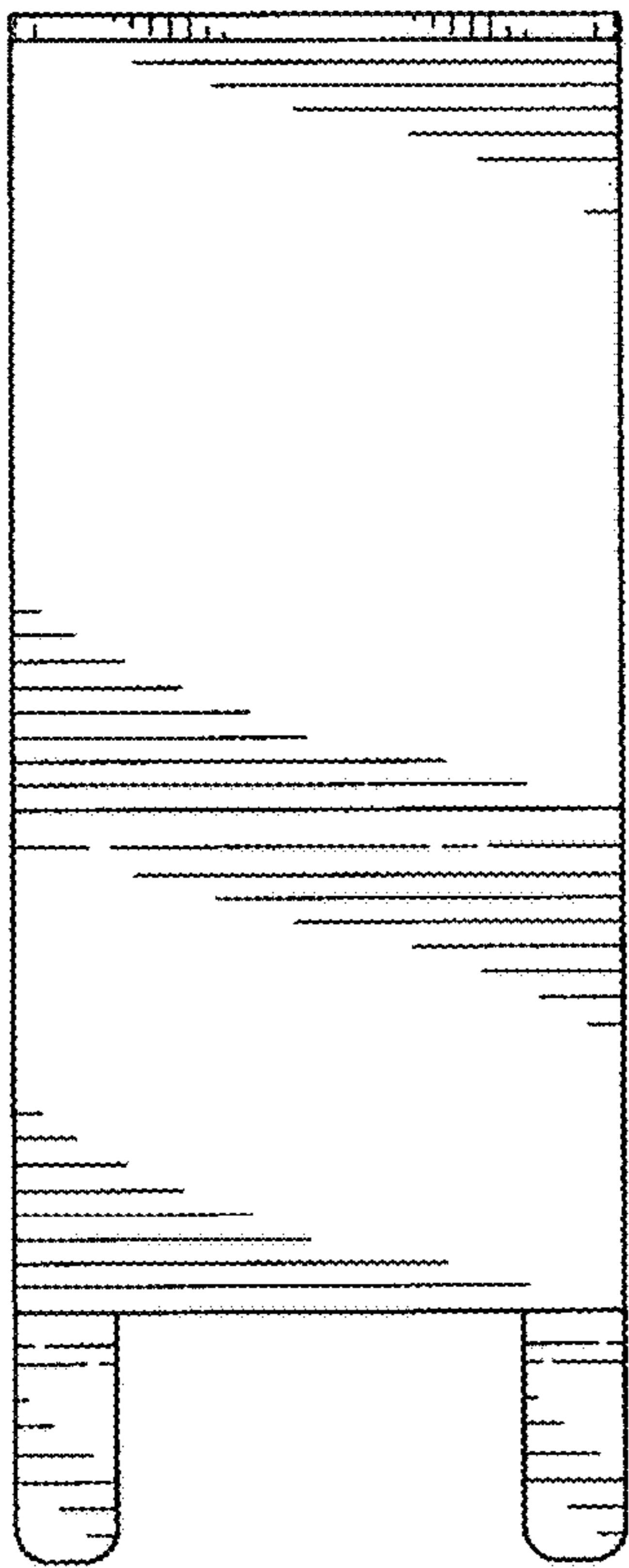


FIG. 9

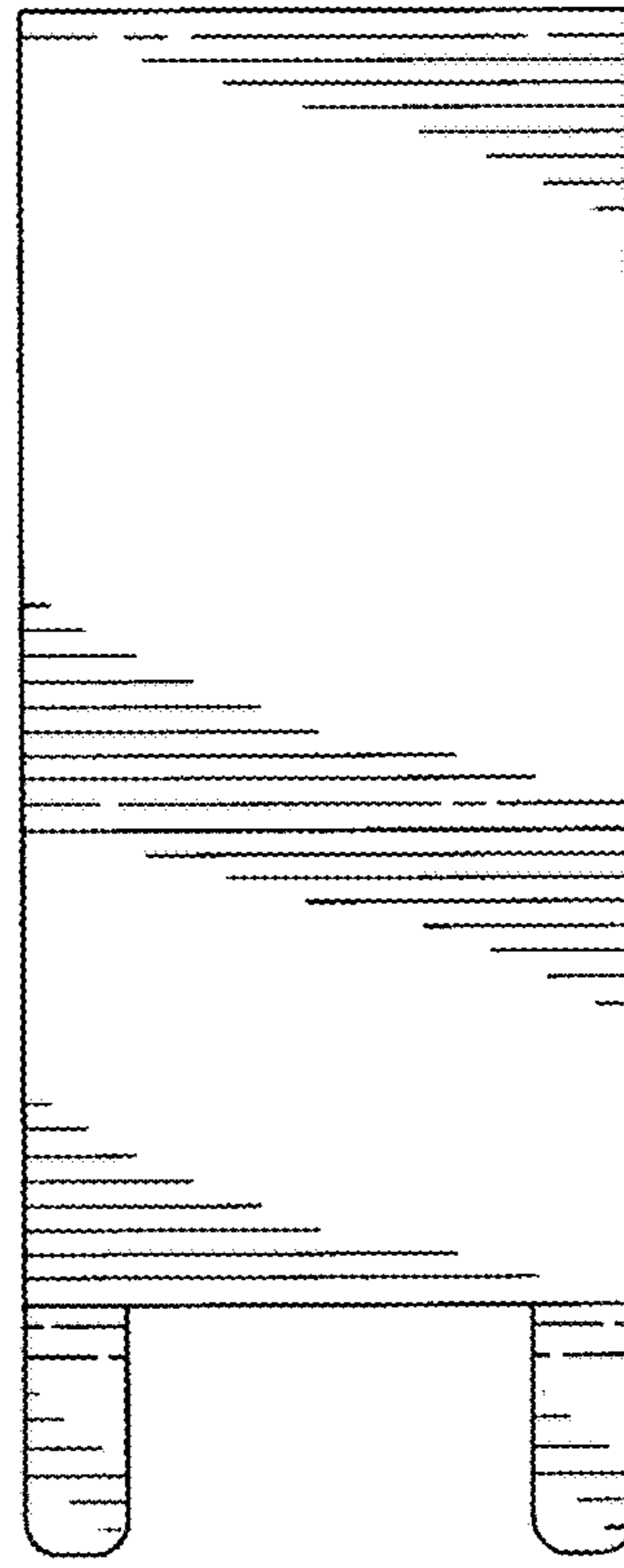


FIG. 10

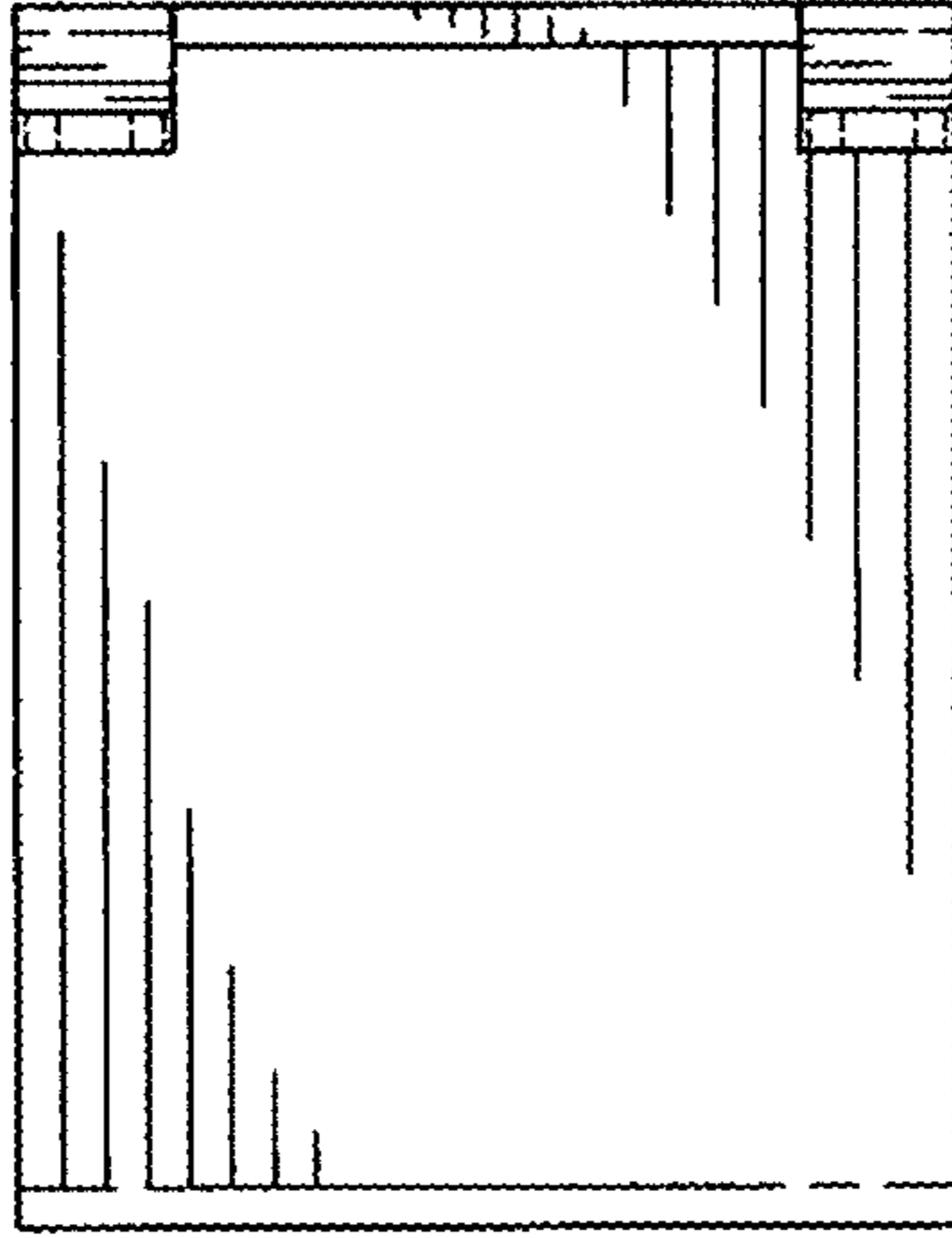


FIG. 11

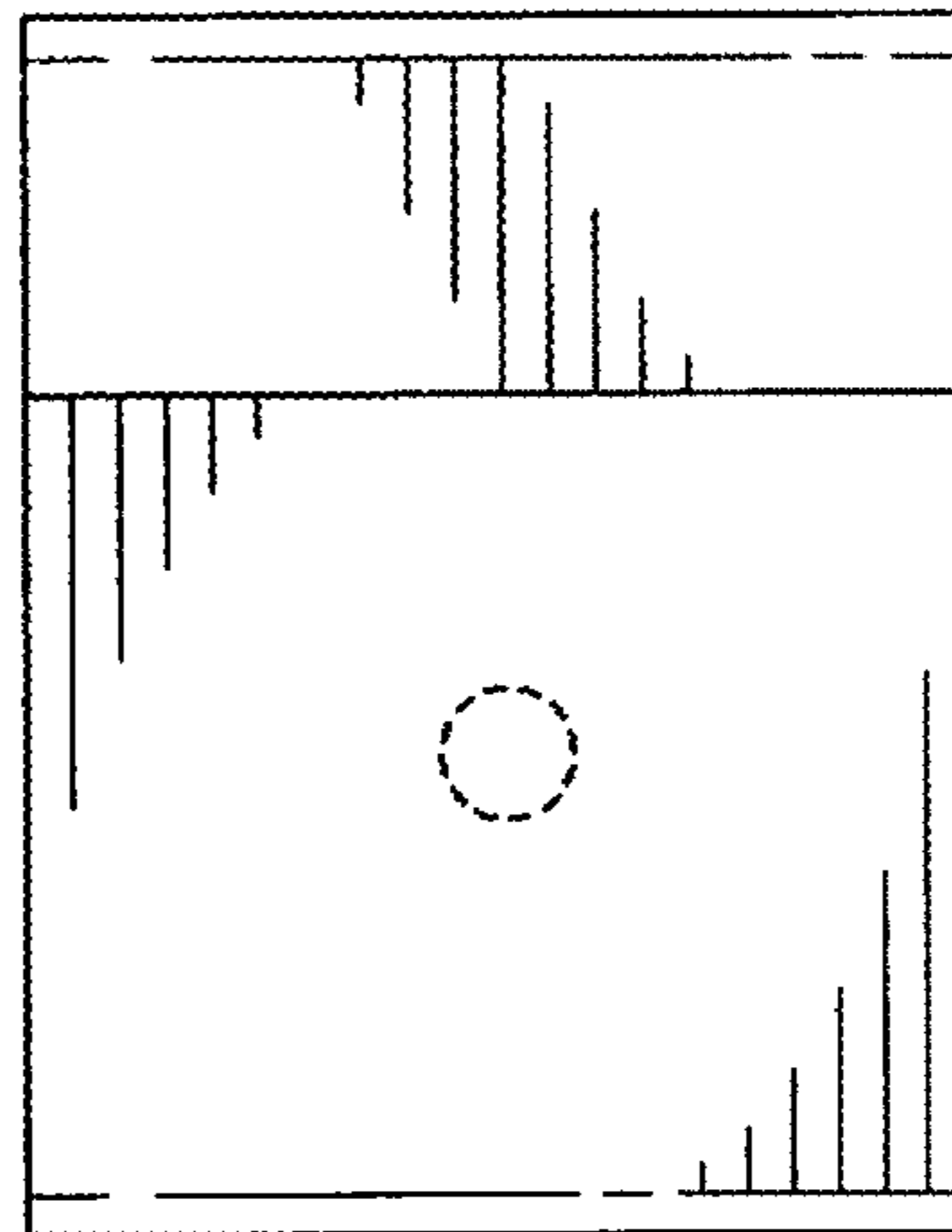


FIG. 12

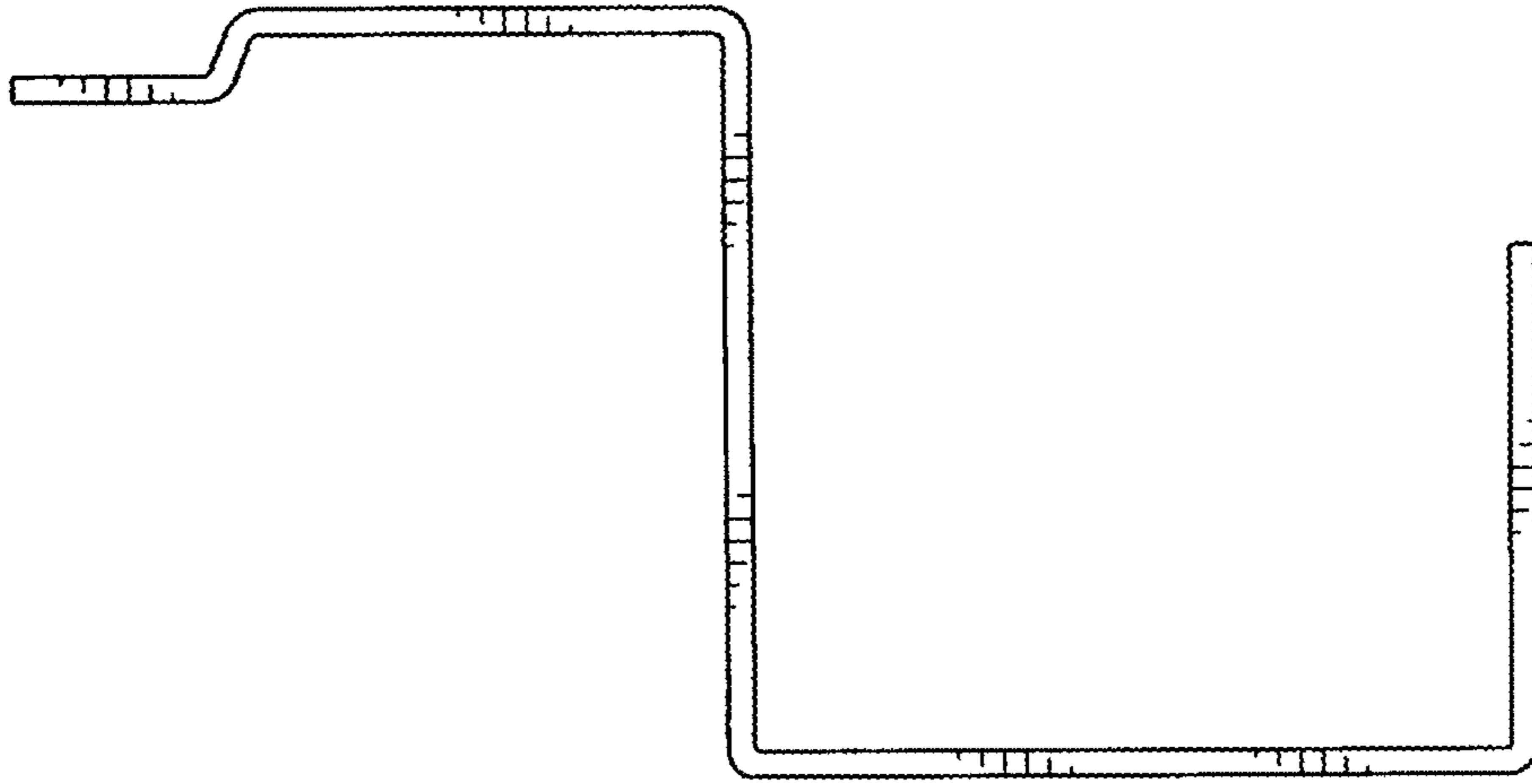


FIG. 13

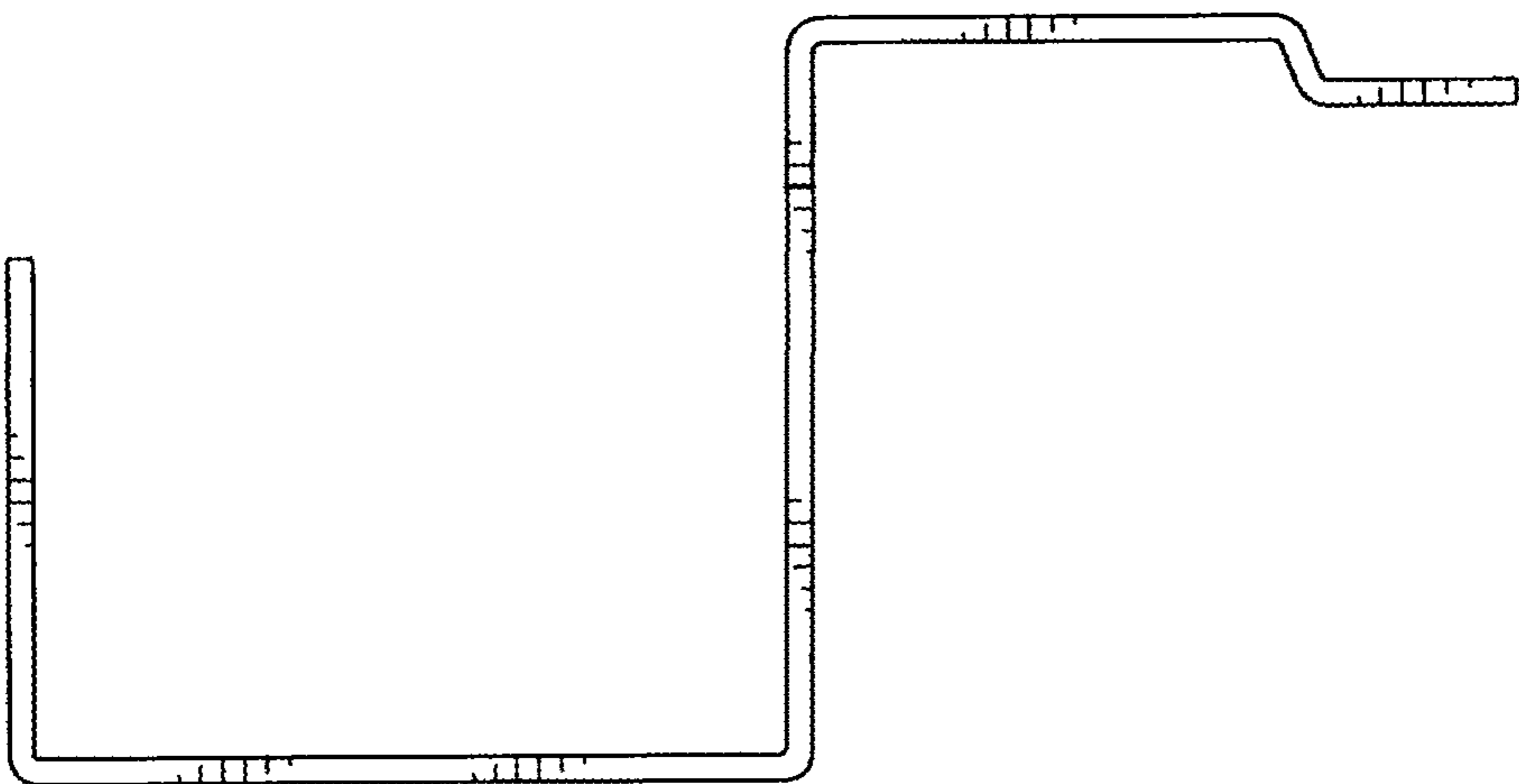


FIG. 14