



US00D825318S

(12) **United States Design Patent**
Siegel

(10) **Patent No.:** **US D825,318 S**

(45) **Date of Patent:** **** Aug. 14, 2018**

(54) **ILLUMINATING STANDOFF DESIGN**

(71) Applicant: **Jerry S. Siegel**, Los Angeles, CA (US)

(72) Inventor: **Jerry S. Siegel**, Los Angeles, CA (US)

(**) Term: **15 Years**

(21) Appl. No.: **29/548,678**

(22) Filed: **Dec. 15, 2015**

(51) **LOC (11) Cl.** **08-05**

(52) **U.S. Cl.**

USPC **D8/363**

(58) **Field of Classification Search**

USPC D8/300, 307, 321, 349, 354, 363, 400

CPC F21V 17/00; F21V 17/06; F21V 17/10;

F21V 3/042; F21V 3/049; F21V 3/02;

F21V 21/108; F21S 6/002; F21S 8/033;

F21S 8/036; G02B 6/0096

See application file for complete search history.

(56) **References Cited**

U.S. PATENT DOCUMENTS

D278,143 S * 3/1985 Hill D13/182

5,498,091 A * 3/1996 Chan F16B 17/006

5,772,172 A * 6/1998 Sampedro E01F 9/696

6,305,821 B1 * 10/2001 Hsieh F21V 5/041

6,629,772 B2 * 10/2003 Brunfeld G02B 6/0008

6,991,355 B1 * 1/2006 Coughaine F21K 9/00

D593,843 S * 6/2009 Hutter, III D8/354

D594,314 S * 6/2009 Hutter, III D8/354

D630,490 S * 1/2011 Lundstrom D8/300

D630,491 S * 1/2011 Lundstrom D8/300

8,556,456 B2 * 10/2013 Boonekamp G02B 6/0008

362/231

D706,877 S * 6/2014 Norman D21/487

D715,871 S * 10/2014 Norman D21/487

2004/0252515 A1 * 12/2004 Opolka F21L 4/005

362/410

2016/0169485 A1 * 6/2016 Siegel F21V 17/00

362/355

* cited by examiner

Primary Examiner — Mark Goodwin

(74) *Attorney, Agent, or Firm* — Cislo & Thomas, LLP;

Kelly W. Cunningham

(57) **CLAIM**

The ornamental design for an illuminating standoff design, as shown and described herein.

DESCRIPTION

FIG. 1. Is a perspective view of my illuminating standoff design;

FIG. 2. Is a perspective view of the other side of my illuminating standoff design;

FIG. 3. Is a right side view thereof, the left side being a mirror image thereto;

FIG. 4. Is a bottom view thereof;

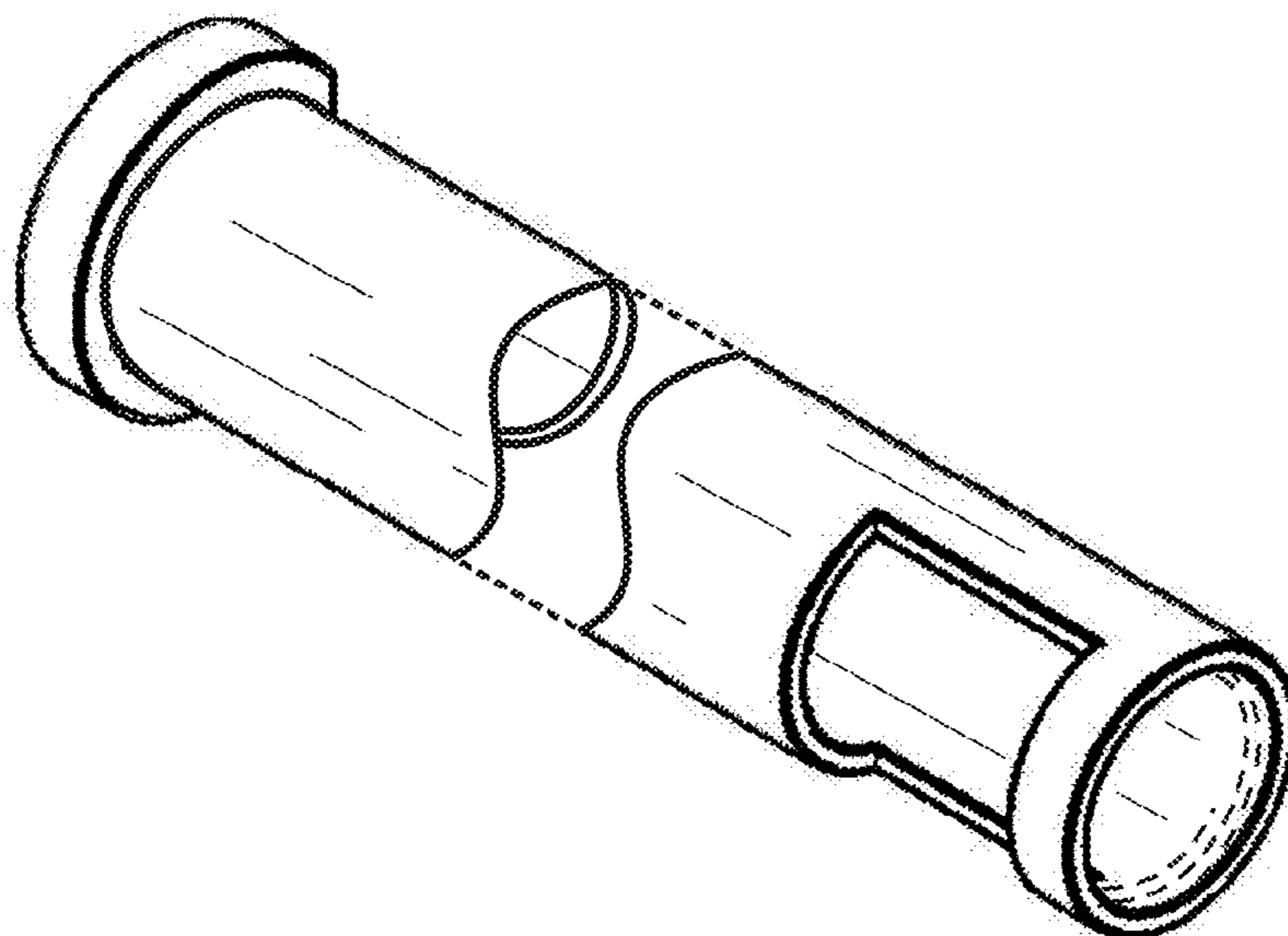
FIG. 5. Is a top view thereof;

FIG. 6. is a front side view thereof; and,

FIG. 7. Is a rear side view thereof.

The broken lines in the drawings show environment that forms no part of the claimed design. Applicant makes no claim as to color with regards to the present invention.

1 Claim, 3 Drawing Sheets



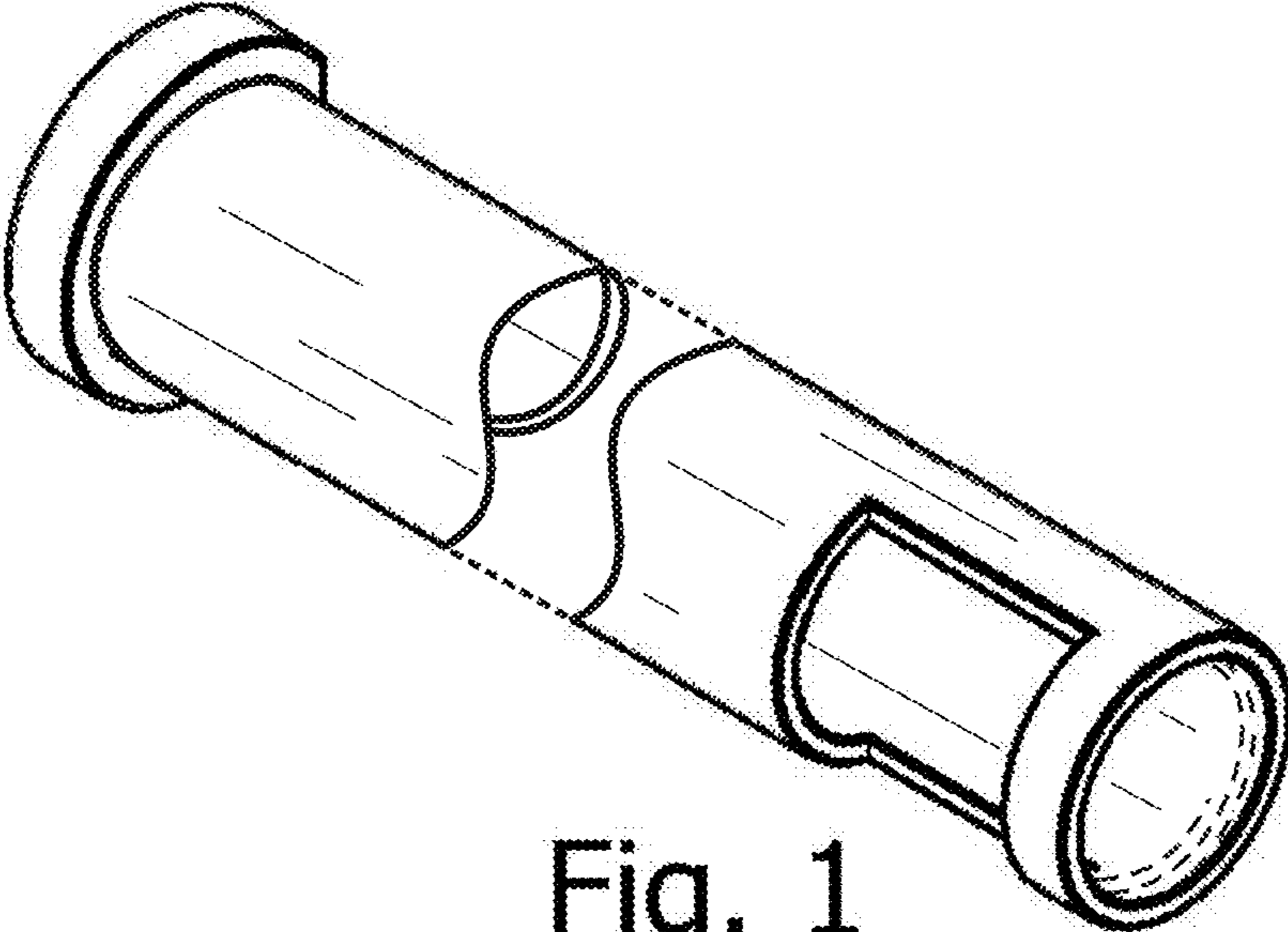


Fig. 1

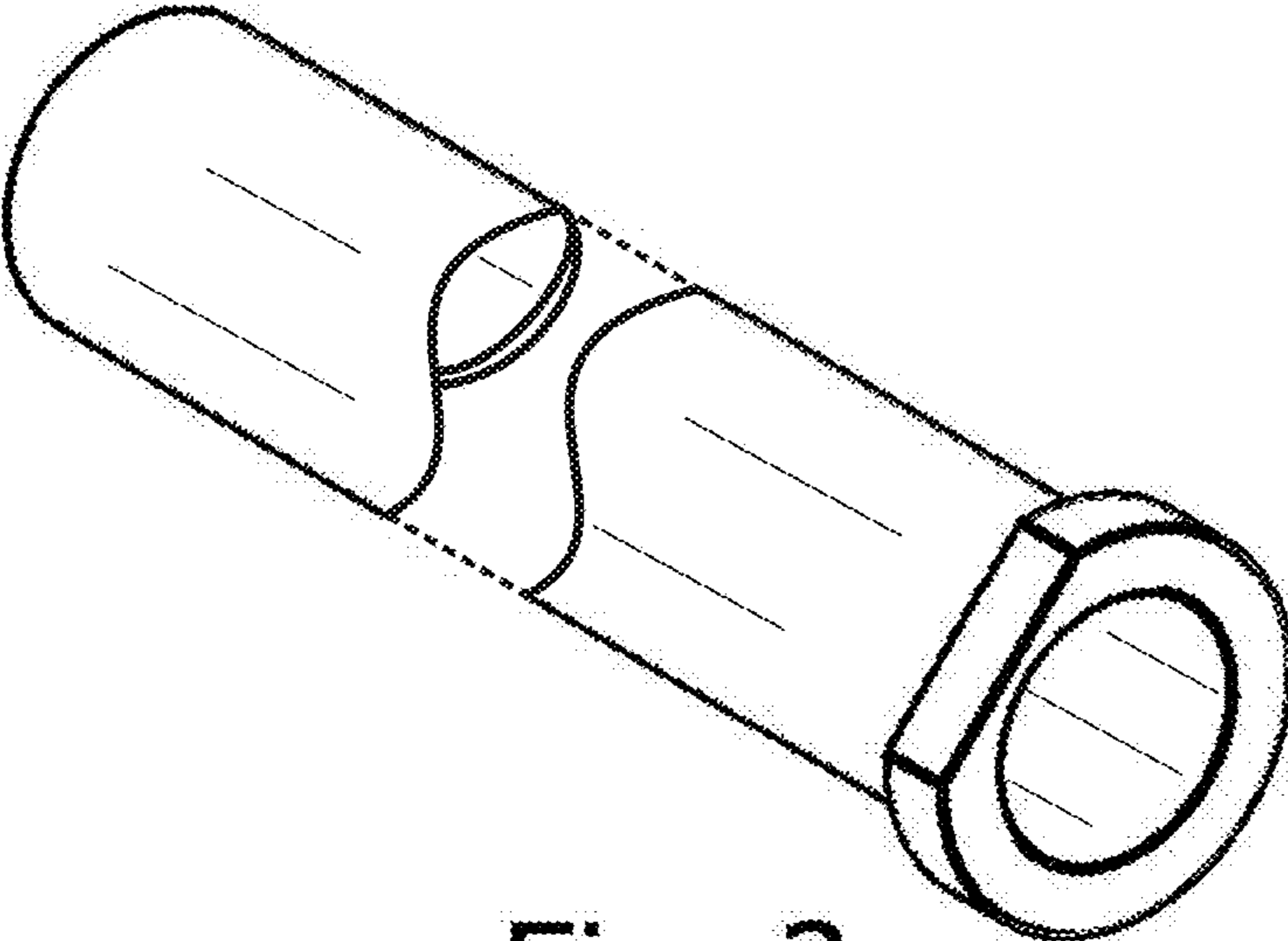


Fig. 2

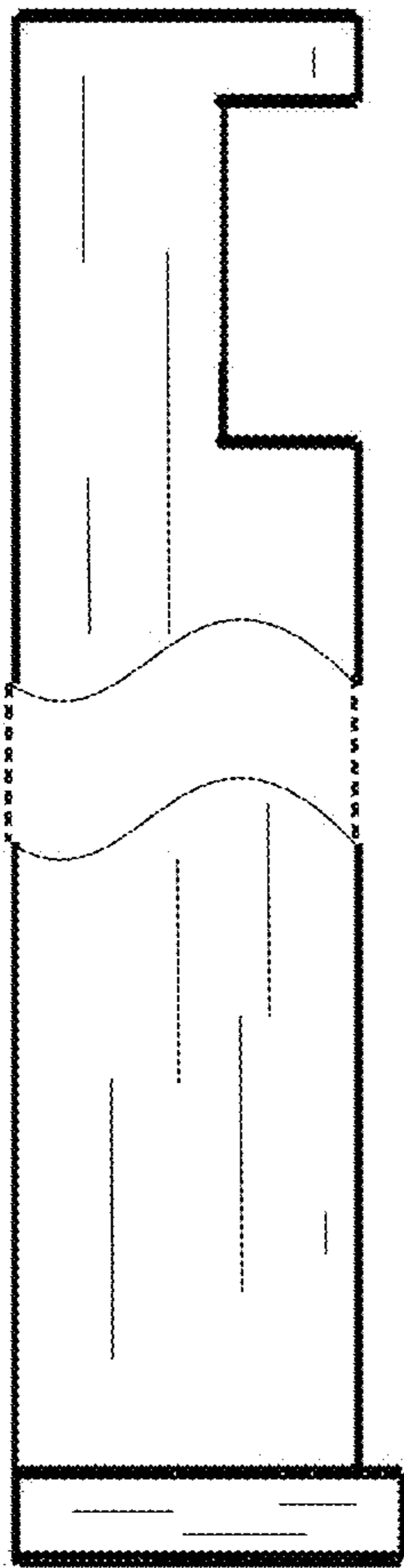


Fig. 3

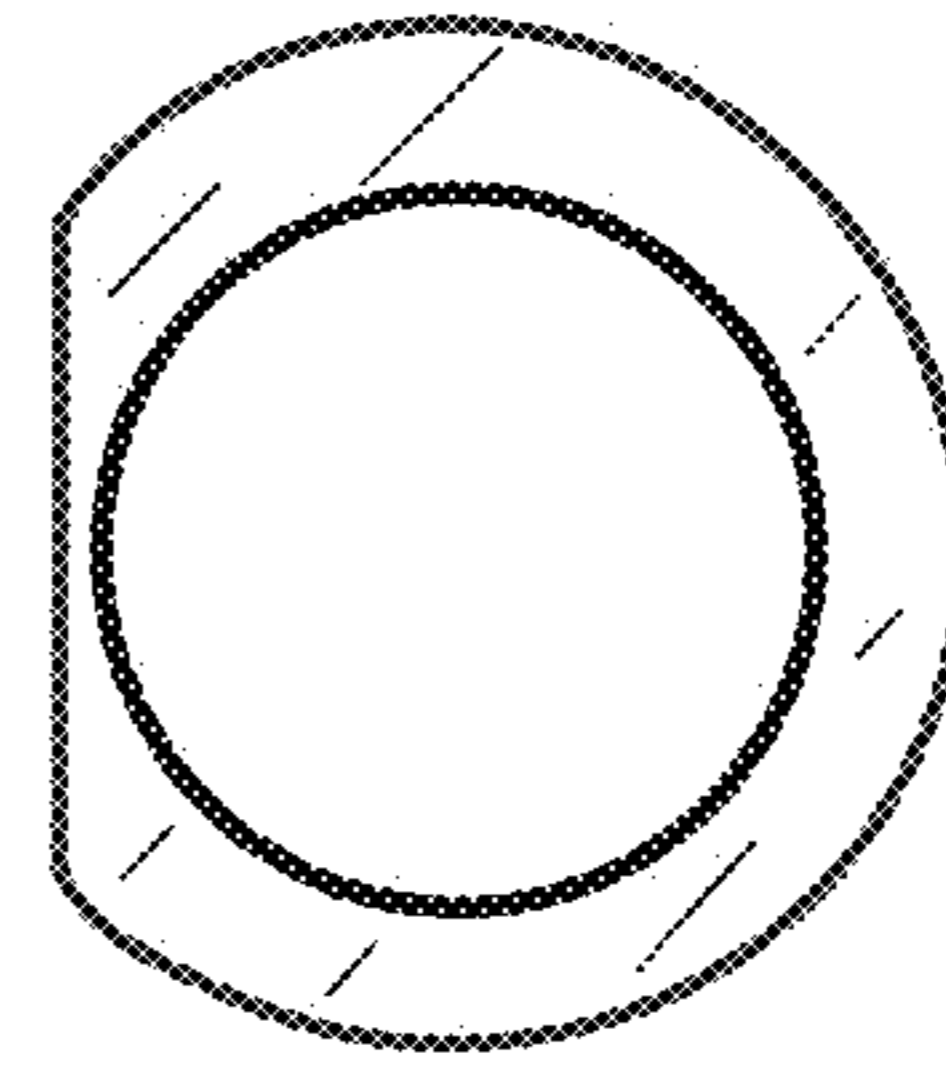


Fig. 4

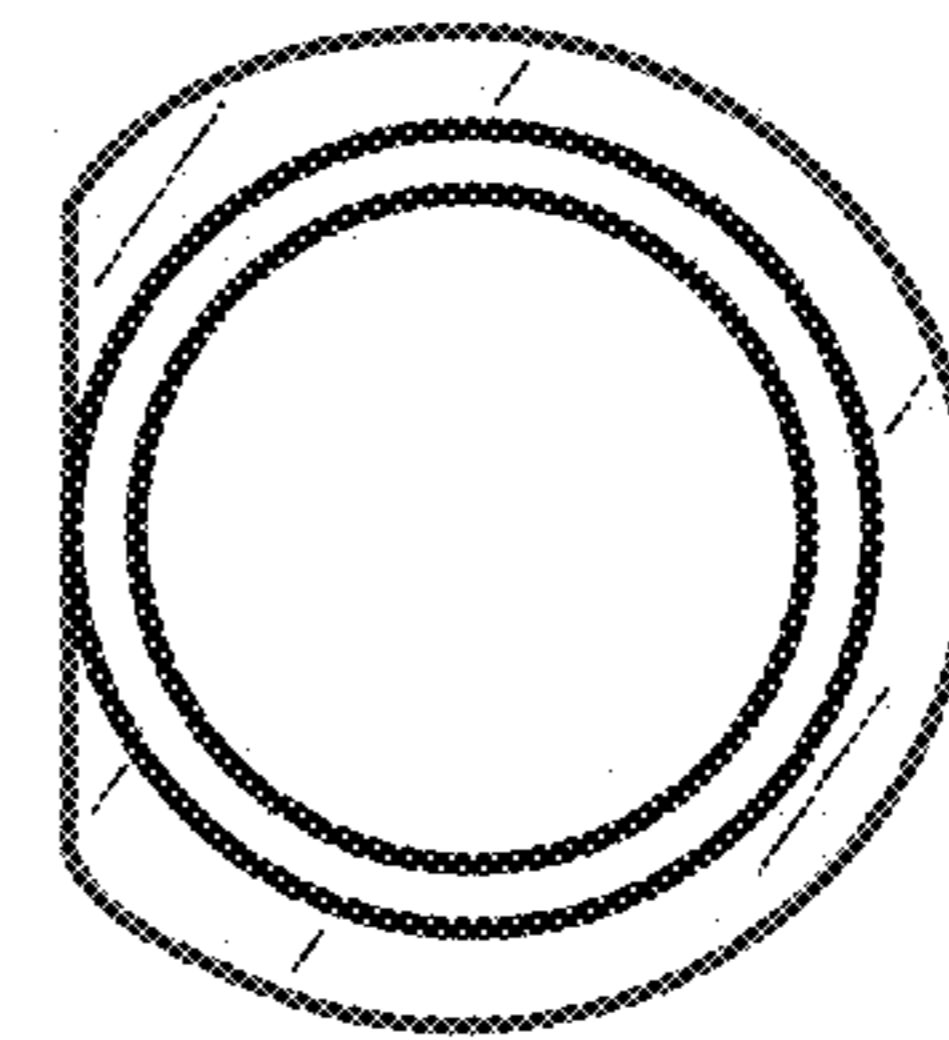


Fig. 5

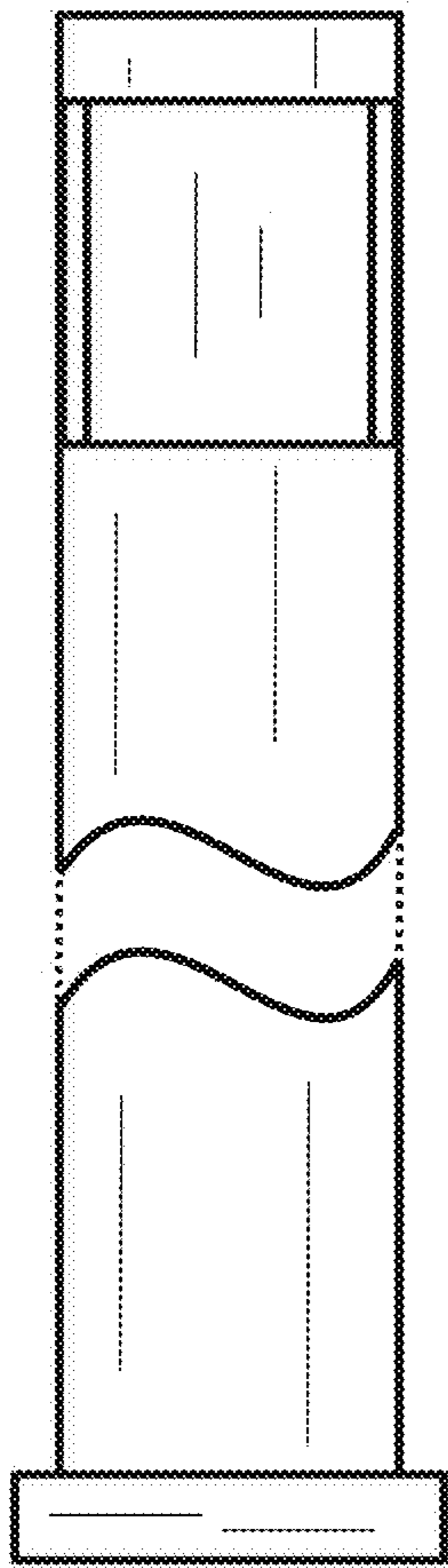


Fig. 6

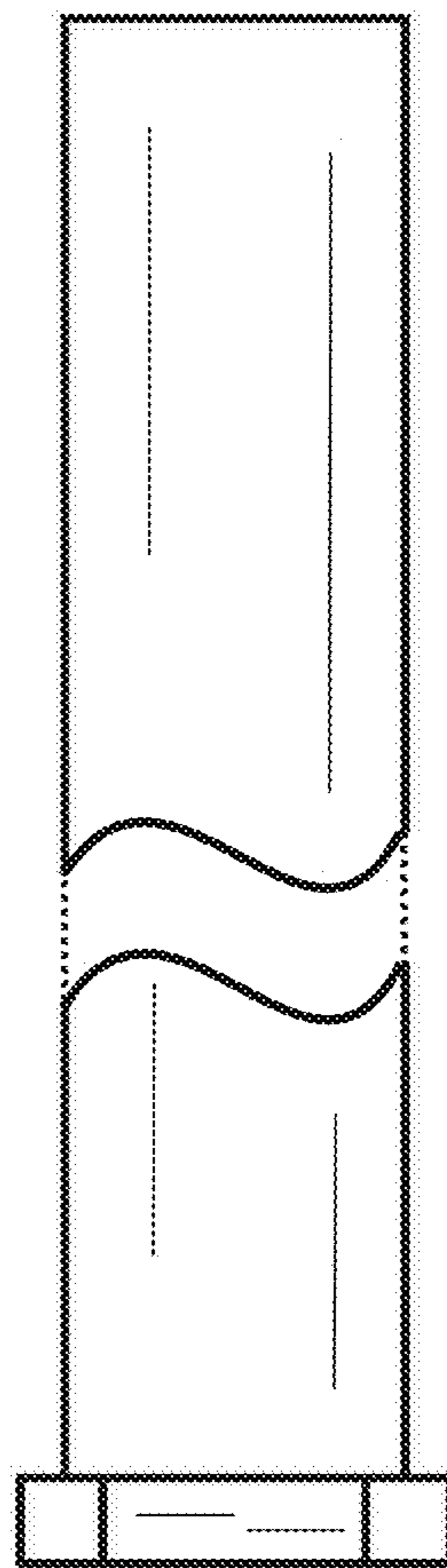


Fig. 7