



US00D825317S

(12) **United States Design Patent** (10) **Patent No.:** **US D825,317 S**
Klein (45) **Date of Patent:** **** Aug. 14, 2018**

(54) **SUPPORT MEMBER FOR A ROLL-UP WALL SYSTEM**

D690,180 S * 9/2013 Del Rossa D15/140
9,044,090 B2 * 6/2015 Drake A47B 57/34
D733,531 S * 7/2015 Tonthat D8/354
D764,070 S * 8/2016 Lussier D25/133

(71) Applicant: **Joel Klein**, Brooklyn, NY (US)

(72) Inventor: **Joel Klein**, Brooklyn, NY (US)

(**) Term: **15 Years**

(21) Appl. No.: **29/601,886**

(22) Filed: **Apr. 26, 2017**

(51) **LOC (11) Cl.** **08-05**

(52) **U.S. Cl.**
USPC **D8/354**

(58) **Field of Classification Search**
USPC D8/354, 376, 16, 17, 19, 37, 47, 71, 89,
D8/101, 363, 373, 377, 390, 391, 404;
D6/512, 524, 528, 534, 672, 680.1, 680.2,
D6/705.7, 708.25; D25/38.1, 119, 122,
D25/123

CPC A47G 33/004; A47H 1/00; A47H 13/00;
A47H 15/00; B44C 1/18; B44C 5/02;
B44C 5/04; B44C 5/0415; E01B 11/00
See application file for complete search history.

(56) **References Cited**

U.S. PATENT DOCUMENTS

D83,534 S * 3/1931 Helsley D6/550
2,055,285 A * 9/1936 Ford B60Q 1/26
248/300
D225,965 S * 1/1973 Schmit D8/354
D244,083 S * 4/1977 Pfeiffer D12/223
D250,391 S * 11/1978 France D25/61
D409,078 S * 5/1999 Bolt D8/354
D426,453 S * 6/2000 Stearns D8/354
D548,051 S * 8/2007 Ruppert D8/354
D576,472 S * 9/2008 Gaiardo D8/354

OTHER PUBLICATIONS

Knee Brace Bracket, posted 2012, [retrieved Mar. 9, 2018].
Retrieved from Internet, <URL: <http://www.postandbeamhangers.com/shop/knee-brace-bracket/>>.*

(Continued)

Primary Examiner — Barbara Fox

Assistant Examiner — Kristin E Reed

(74) *Attorney, Agent, or Firm* — Law Office of Arthur M. Antonelli, PLLC

(57) **CLAIM**

The ornamental design for a support member for a roll-up wall system, as shown and described.

DESCRIPTION

FIG. 1 is a top, front left side perspective view of a support member for a roll-up wall system in accordance with my new design;

FIG. 2 is a bottom, rear, left side perspective view of the support member of FIG. 1;

FIG. 3 is a front view of the support member of FIG. 1;

FIG. 4 is a left side view of the support member of FIG. 1;

FIG. 5 is a rear view of the support member of FIG. 1;

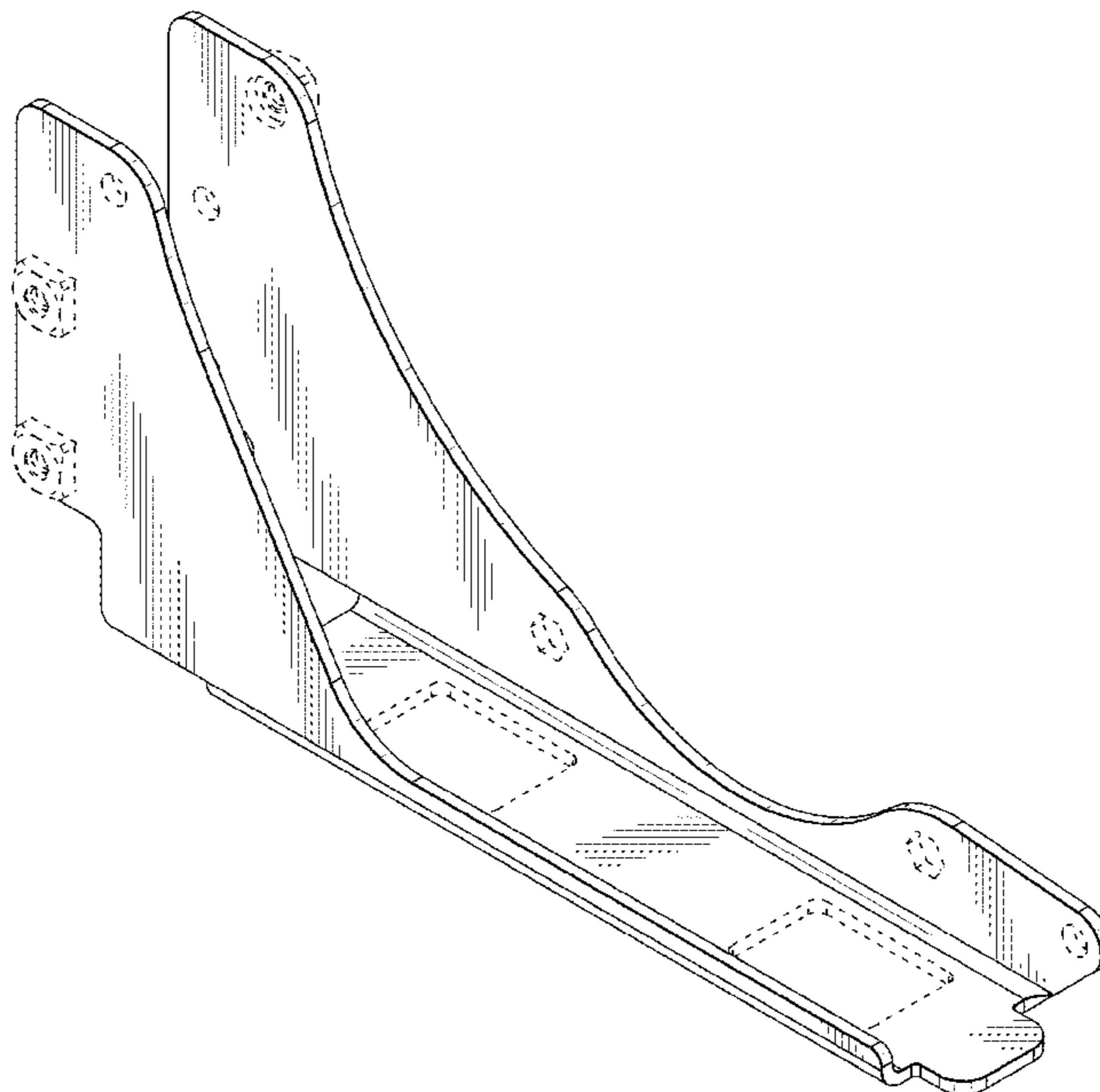
FIG. 6 is a right side view of the support member of FIG. 1;

FIG. 7 is a top view of the support member of FIG. 1; and,

FIG. 8 is a bottom view of the support member of FIG. 1.

The broken lines shown in the drawings depict portions of the support member for a roll-up wall system that form no part of the claimed design.

1 Claim, 5 Drawing Sheets



(56)

References Cited

OTHER PUBLICATIONS

Ford TTB Axle Pivot Bracket Replacement, posted 2008, [retrieved Mar. 9, 2018]. Retrieved from Internet, <URL: <http://www.rmftc.com/howtos/ttbaxlepivot/ttbaxlepivot.html> >.*

Custom architectural components, posted unknown, [retrieved Mar. 9, 2018]. Retrieved from Internet, <URL: <https://www.adktool.com/structural-connectors.html> >.*

Crossbar Hanger Bracket—6? Frame, posted unknown, [retrieved Mar. 9, 2018]. Retrieved from Internet, <URL: <http://www.loadrite.com/trailer-parts/frame-components/crossbar-hanger-bracket-6-frame-galvanized-2/> >.*

Crown Automotive 52040320 Front or Rear Main Eye Leaf Spring Hanger Bracket for 87-95 Jeep Wrangler YJ, posted Nov. 18, 2017, [retrieved Mar. 9, 2018]. Retrieved from Internet, <URL: https://www.quadratec.com/products/56006_0003.htm >.*

DCA Mercedes Axle Hanger Bracket Ride Height 250mm, posted Sep. 2012, [retrieved Mar. 9, 2018]. Retrieved from Internet, <URL: https://new.newtontrailers.com/part/dca_mercedes_axle_hanger_bracket_ride_height_250mm/2153 >.*

* cited by examiner

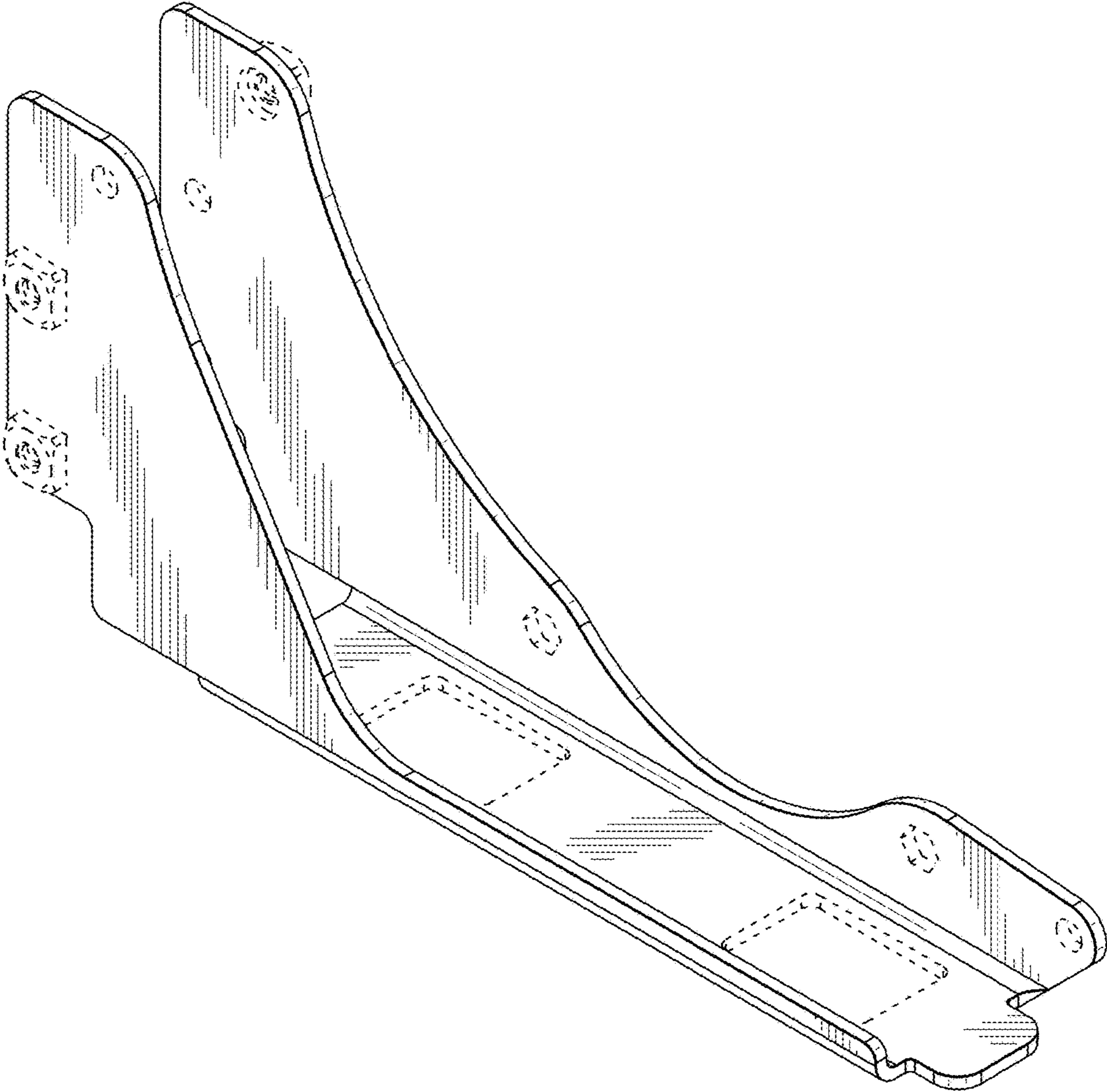


FIG. 1

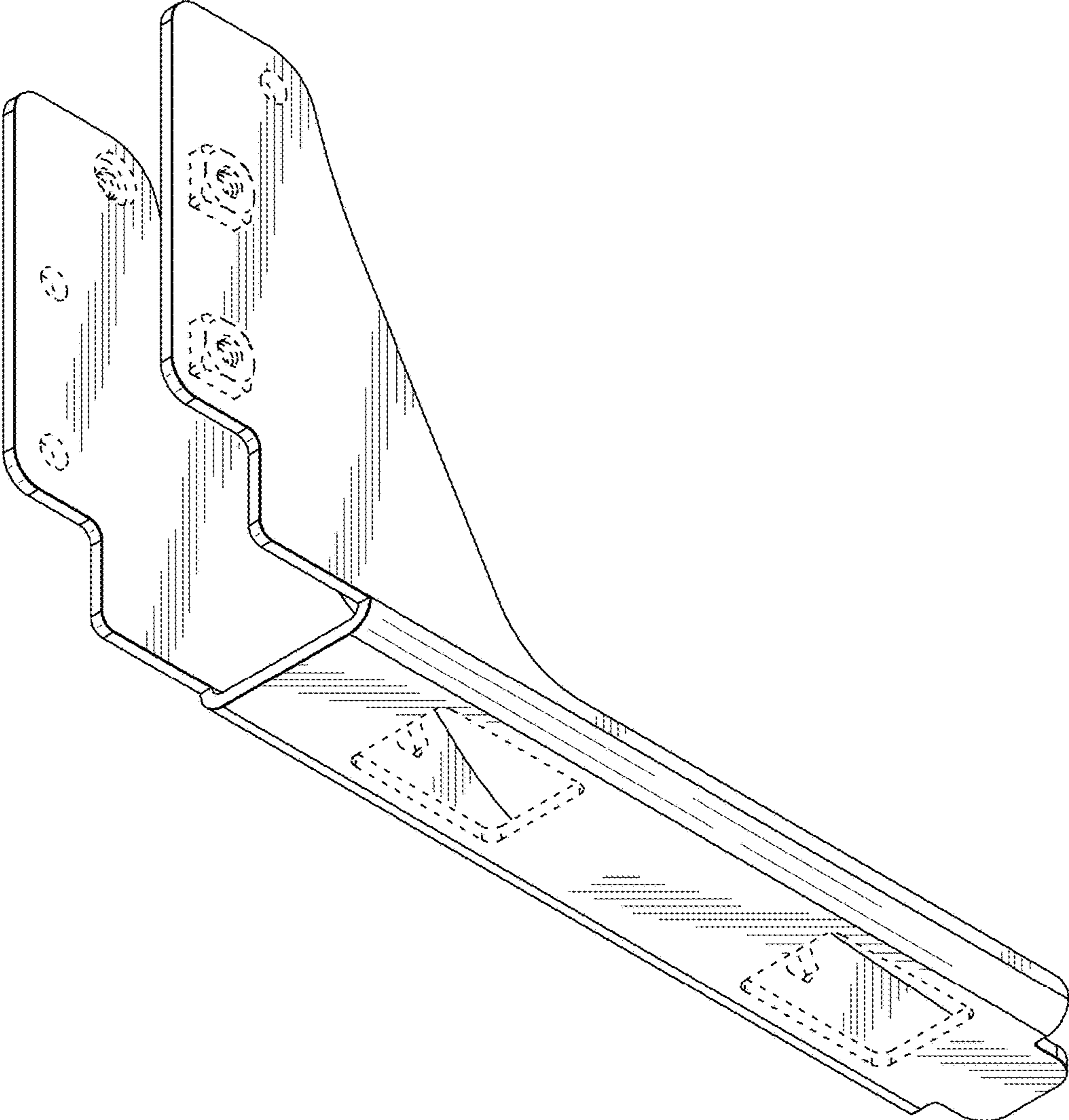


FIG. 2

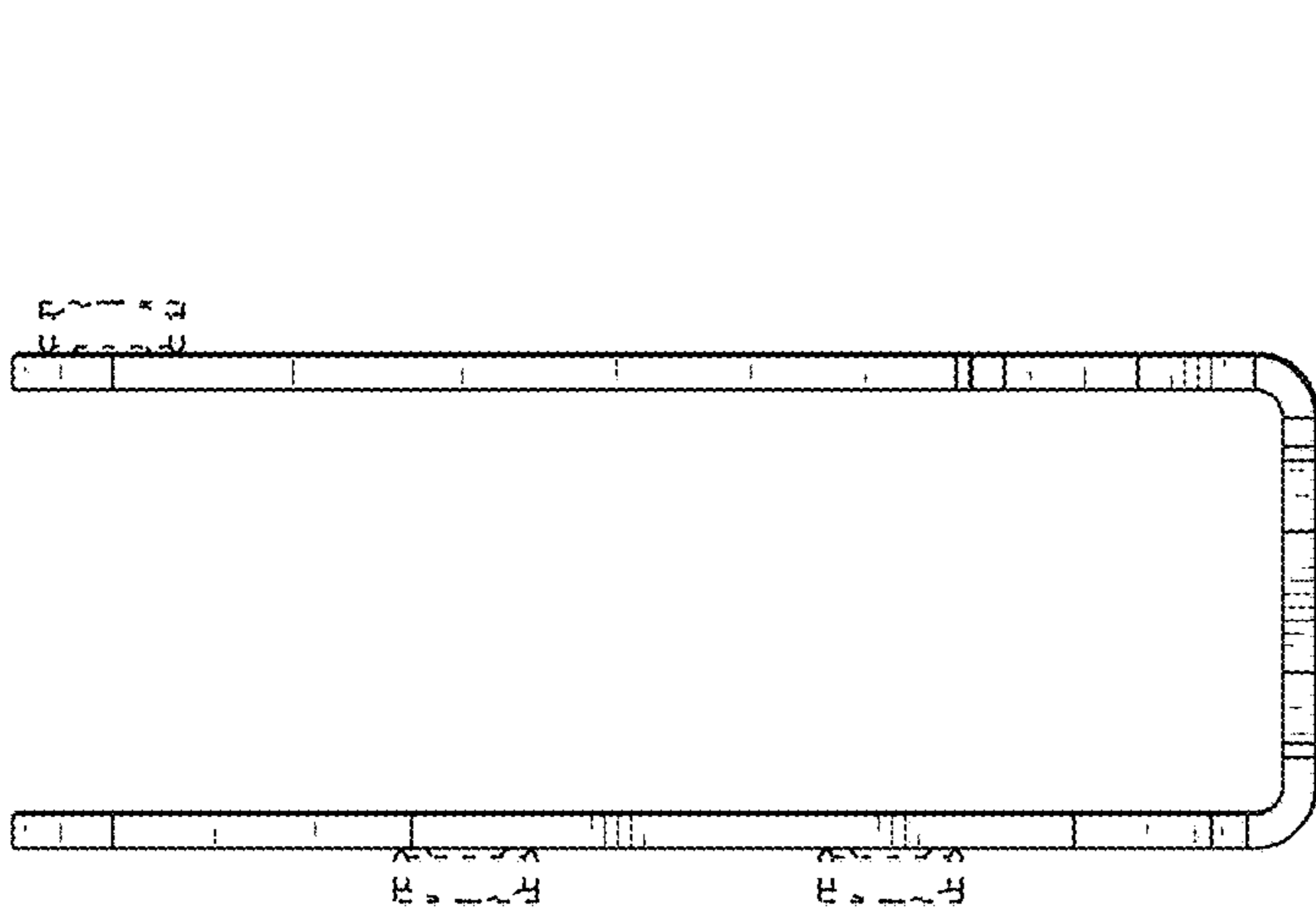
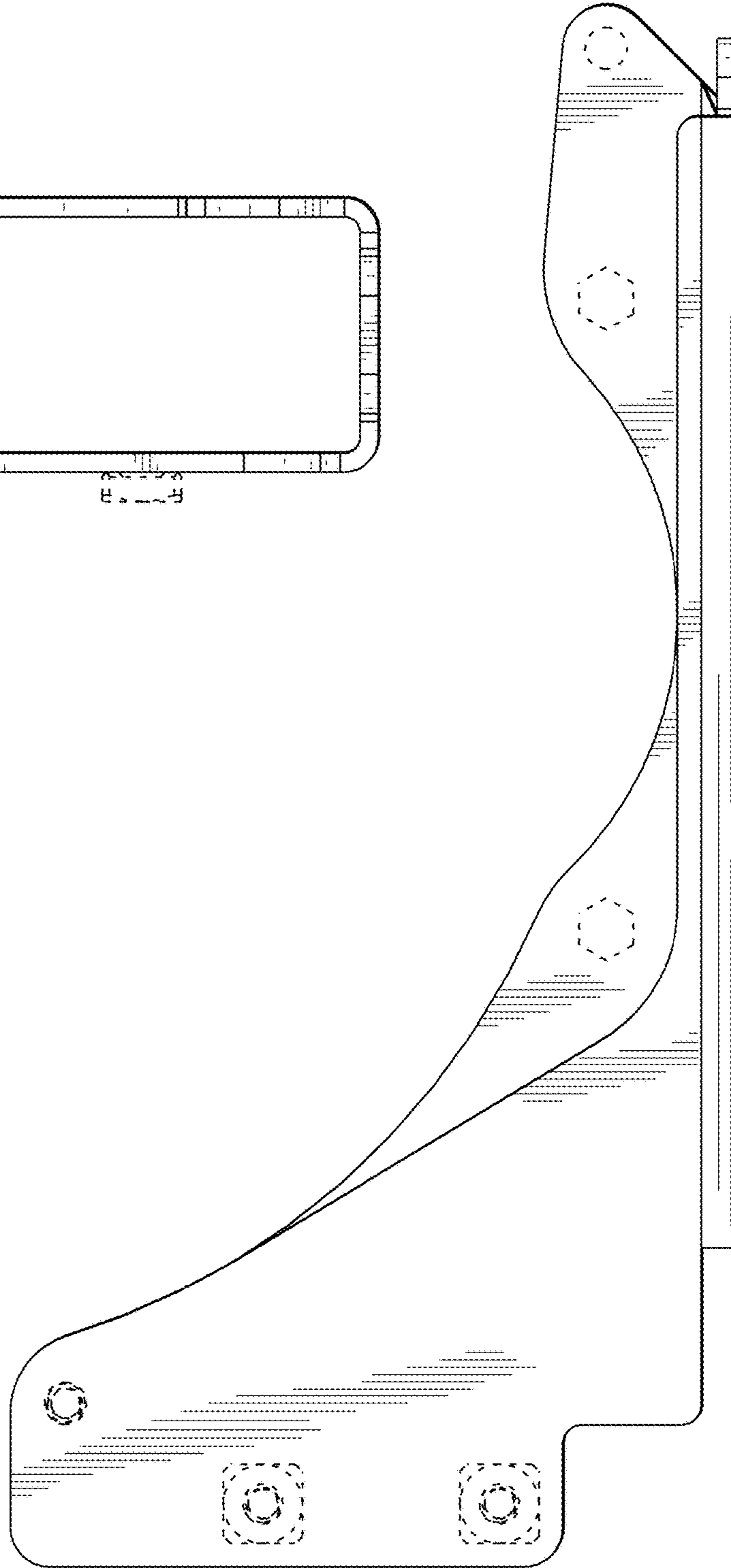


FIG. 3

FIG. 4



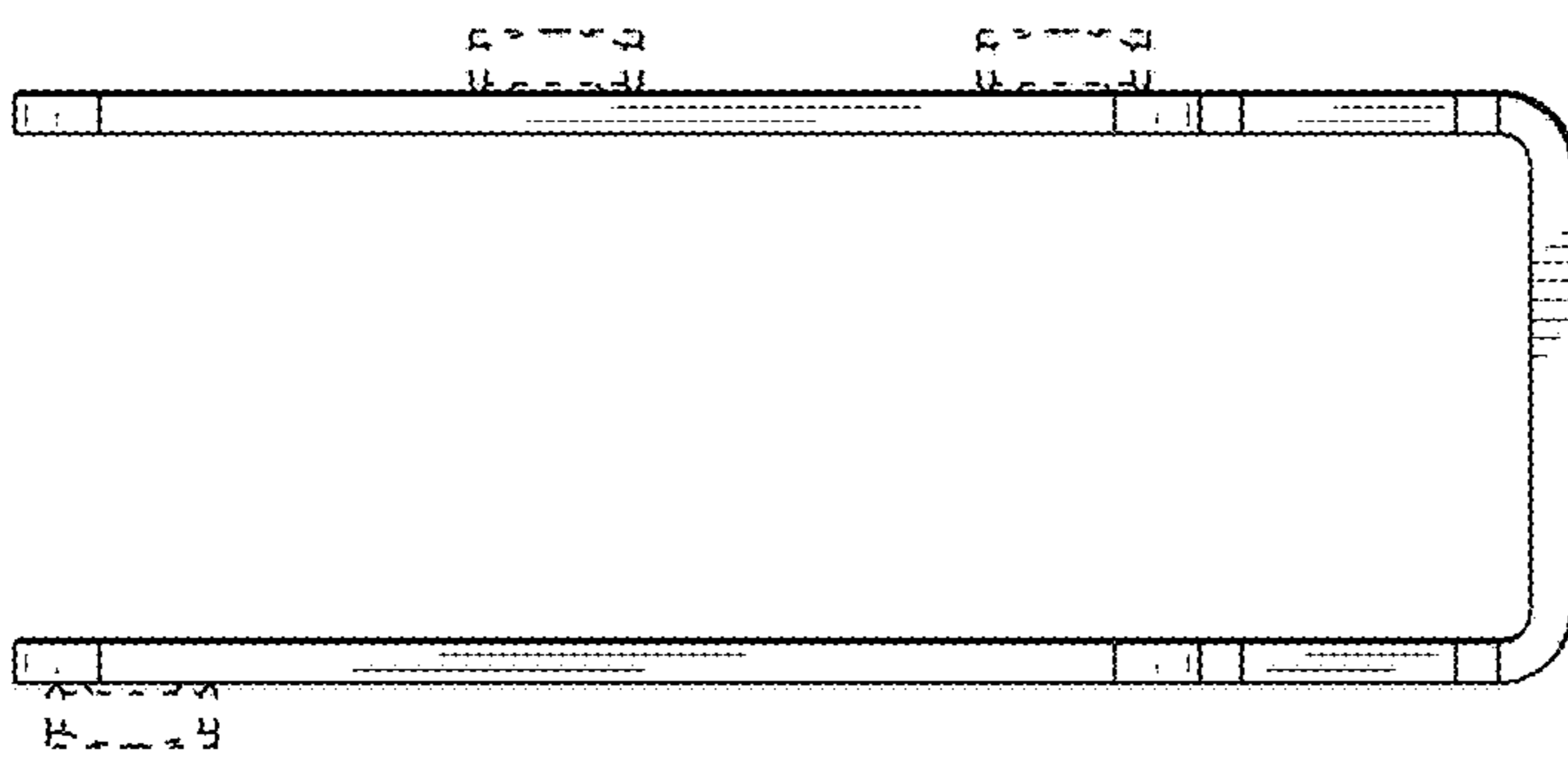


FIG. 5

FIG. 6

