

US00D825315S

(12) **United States Design Patent** (10) **Patent No.:** **US D825,315 S**
Inzeo (45) **Date of Patent:** **** Aug. 14, 2018**

- (54) **FASCIA MOUNTING BRACKET**
- (71) Applicant: **Joseph A. Inzeo**, West Allis, WI (US)
- (72) Inventor: **Joseph A. Inzeo**, West Allis, WI (US)
- (73) Assignee: **METAL-ERA, INC.**, Waukesha, WI (US)

- 6,845,590 B1 * 1/2005 Mills, Jr. E04D 13/155
52/60
- D506,125 S * 6/2005 Munson D8/373
- 7,238,409 B1 * 7/2007 Peterson B29C 66/12441
428/119
- 7,244,487 B2 * 7/2007 Brantley B29C 65/561
244/123.7
- 7,451,572 B1 11/2008 Inzeo et al.
(Continued)

- (**) Term: **15 Years**
- (21) Appl. No.: **29/606,552**
- (22) Filed: **Jun. 6, 2017**

Related U.S. Application Data

- (63) Continuation-in-part of application No. 15/396,836, filed on Jan. 3, 2017, now Pat. No. 9,874,023.
- (51) **LOC (11) Cl.** **08-08**
- (52) **U.S. Cl.**
USPC **D8/349**
- (58) **Field of Classification Search**
USPC D25/119, 164, 199, 139, 141; D8/349,
D8/354
CPC . A47G 1/065; A47G 1/14; A47G 1/16; A47G
1/1686; E04D 13/15; F16L 33/04; H02G
3/24
See application file for complete search history.

(56) **References Cited**

U.S. PATENT DOCUMENTS

- 4,780,997 A * 11/1988 Taylor E04D 13/15
52/96
- D348,596 S * 7/1994 Slaydon D25/119
- D354,874 S * 1/1995 Burch D6/567
- 5,881,517 A * 3/1999 Prince E04H 1/1266
248/274.1
- 6,378,917 B1 * 4/2002 Jones E05C 19/184
16/82
- D477,210 S * 7/2003 Callahan D8/349
- 6,669,029 B1 * 12/2003 Beane H05K 7/183
108/108

OTHER PUBLICATIONS

EliminailerT, Metal-Era, Installation Instructions, dated Jul. 14, 2017, retrieved on Apr. 9, 2018, retrieved from the Internet URL: <http://www.metalera.com/Accessories/Products/Eliminailer-T.aspx>.*

Primary Examiner — Jennifer Rivard
Assistant Examiner — Alison M Ofstun
(74) *Attorney, Agent, or Firm* — Donald J. Ersler

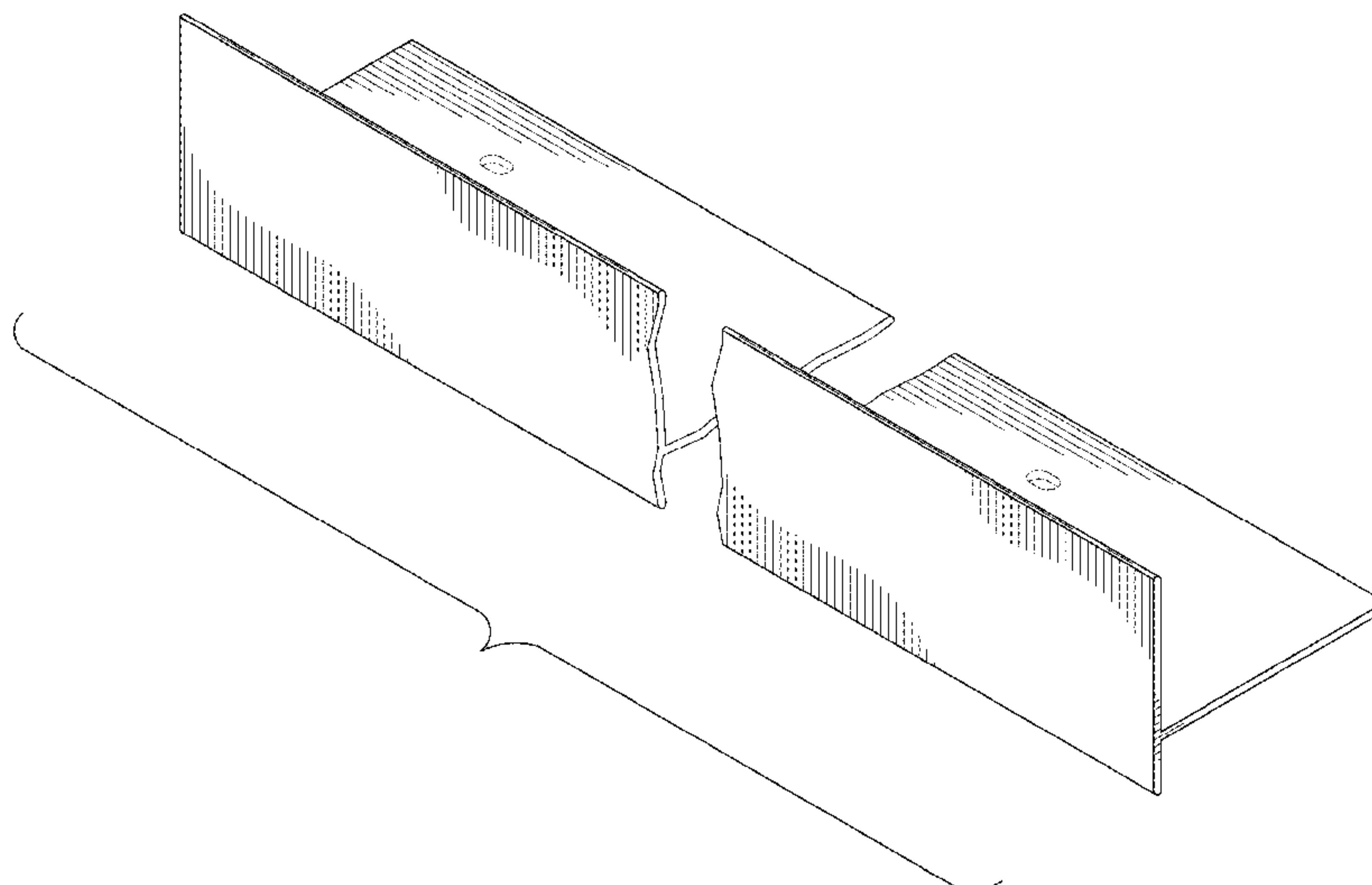
(57) **CLAIM**

The ornamental design for a fascia mounting bracket, as shown and described.

DESCRIPTION

FIG. 1 is a top perspective view of a fascia mounting bracket incorporating my new design;
FIG. 2 is a bottom perspective view thereof;
FIG. 3 is top plan view thereof;
FIG. 4 is a bottom plan view thereof;
FIG. 5 is a right side view thereof;
FIG. 6 is a rear elevation view thereof; and,
FIG. 7 is a front elevation view thereof.
The broken lines shown in the drawings illustrate portions of the fascia mounting bracket that form no part of the claimed design.
The broken away symbols in the drawings indicate the appearance of any portion of the article between the break lines forms no part of the claimed design.

1 Claim, 5 Drawing Sheets



(56)

References Cited

U.S. PATENT DOCUMENTS

8,297,019	B2 *	10/2012	Lorenz	E04F 13/0805	52/407.4
8,985,515	B2 *	3/2015	McCullough	B29D 99/001	244/131
9,284,734	B1 *	3/2016	Inzeo	E04D 13/0459	
D765,492	S *	9/2016	Akers	D8/354	
9,714,670	B2 *	7/2017	Header	F16B 2/065	
D809,674	S *	2/2018	Singh	D25/119	
D814,057	S *	3/2018	Singh	D25/119	
2011/0185659	A1 *	8/2011	Lorenz	E04F 13/0805	52/302.1

* cited by examiner

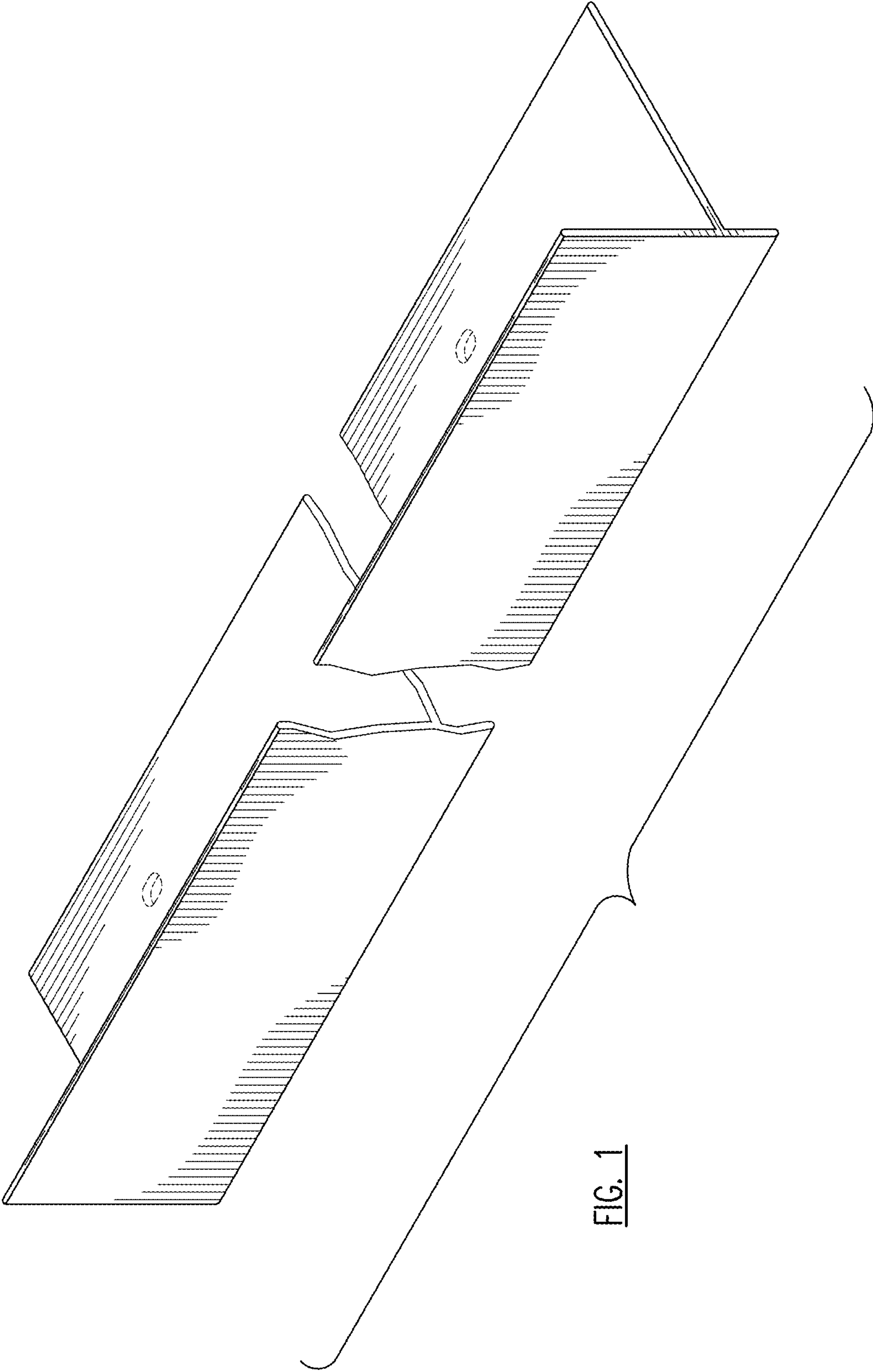


FIG. 1

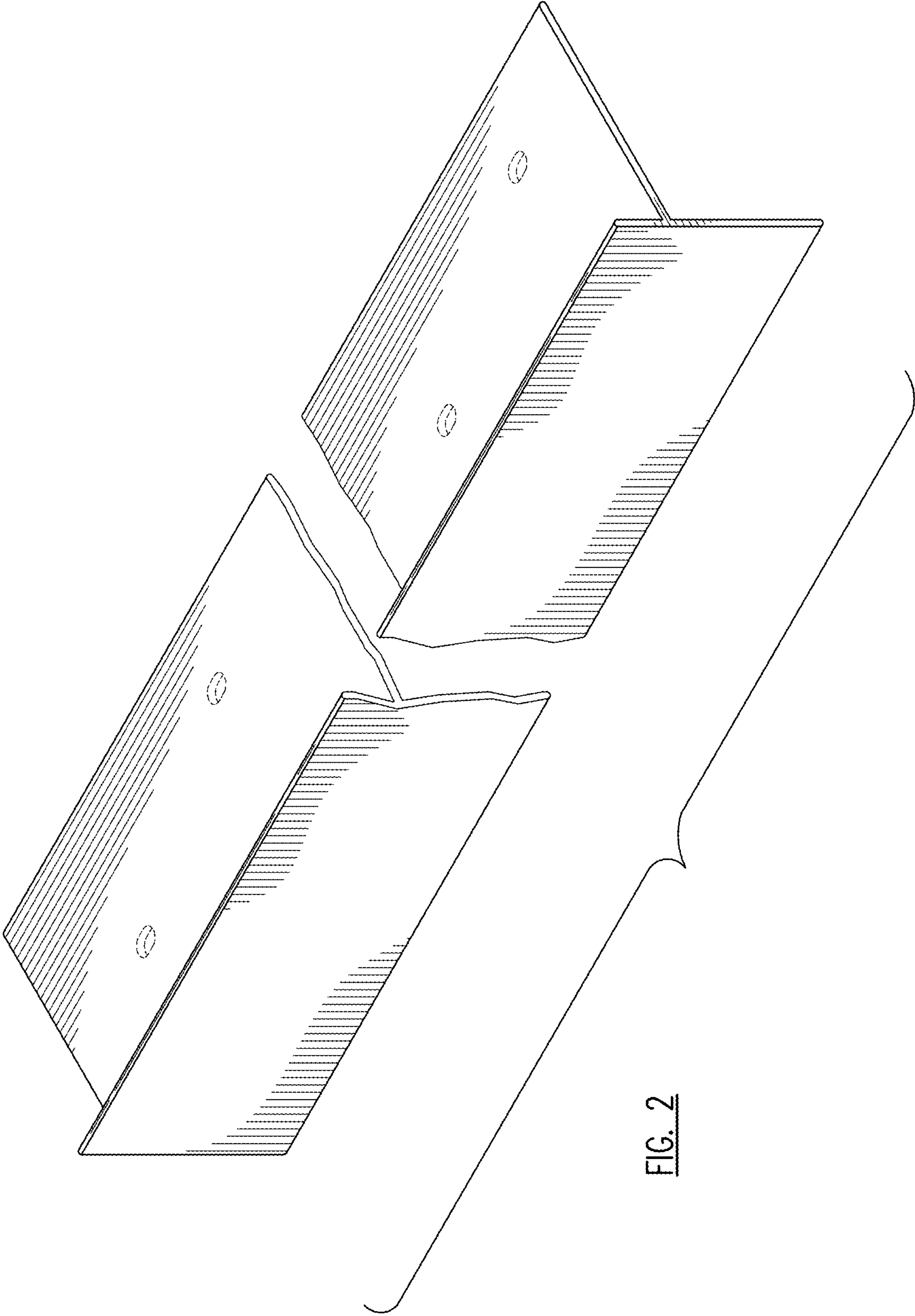


FIG. 2

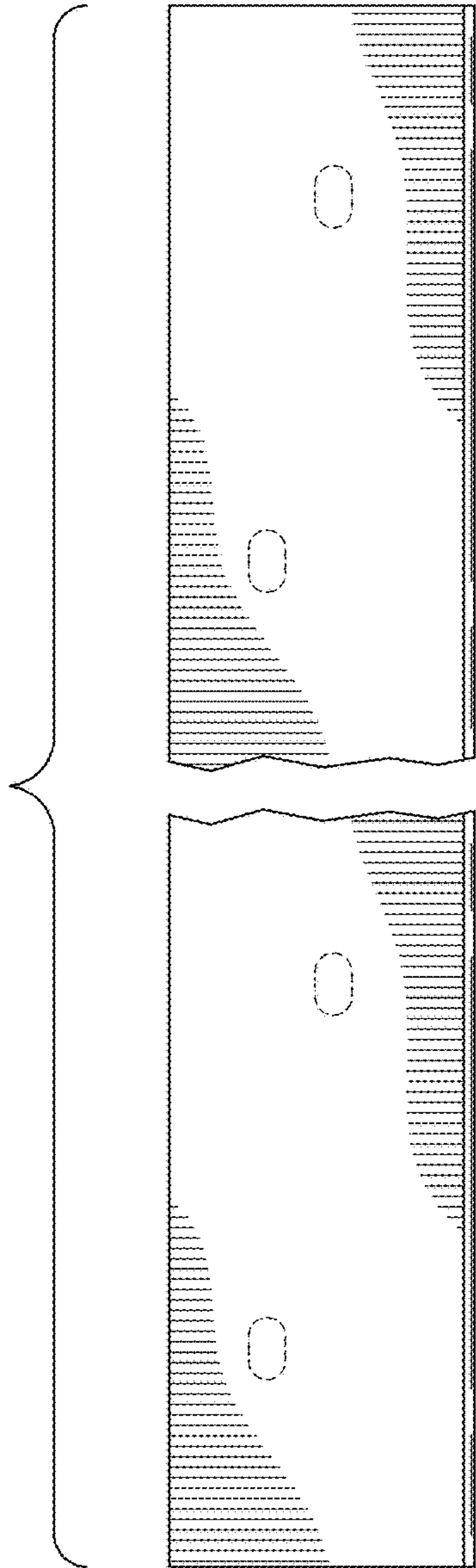


FIG. 3

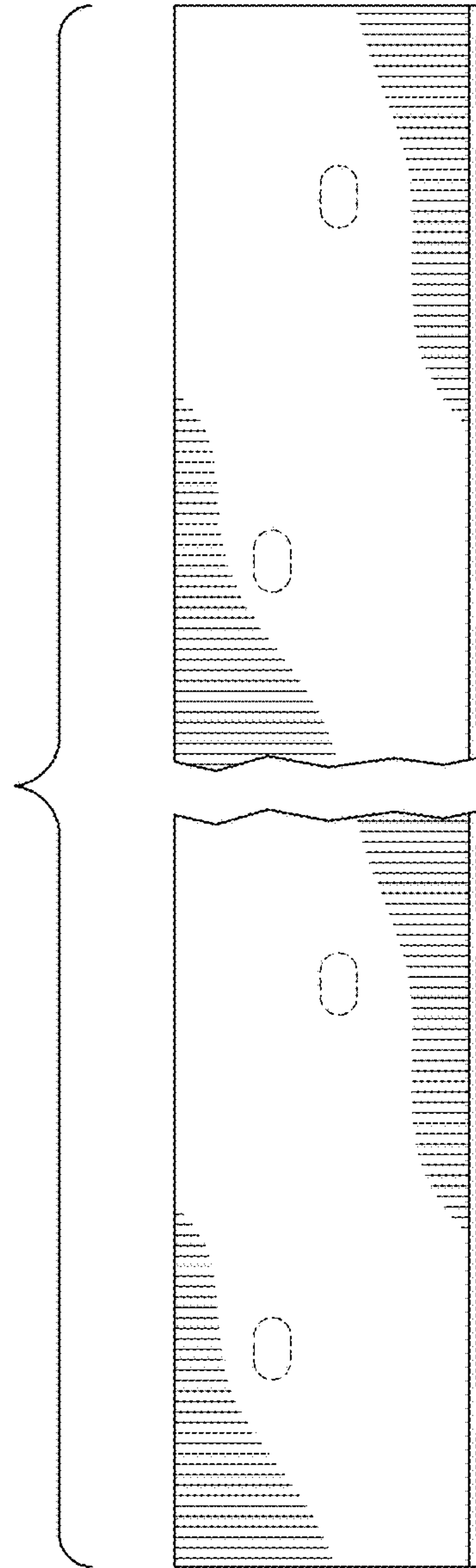


FIG. 4

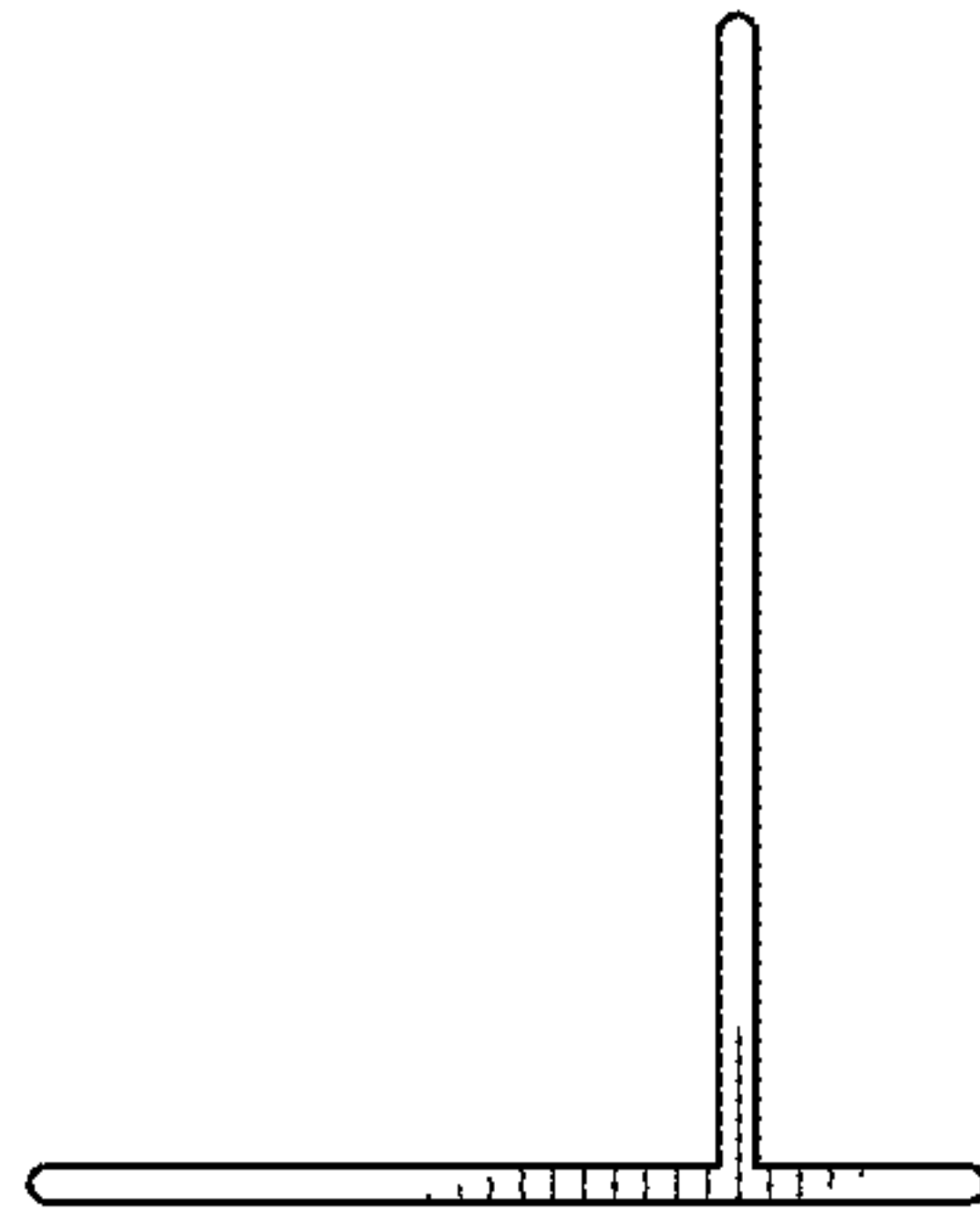


FIG. 5

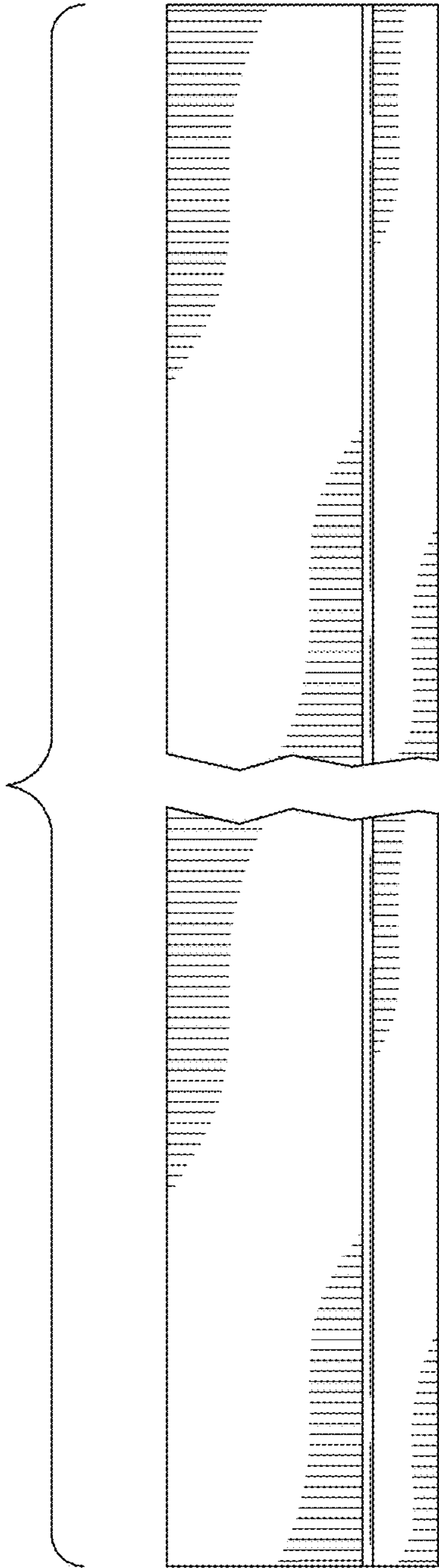


FIG. 6

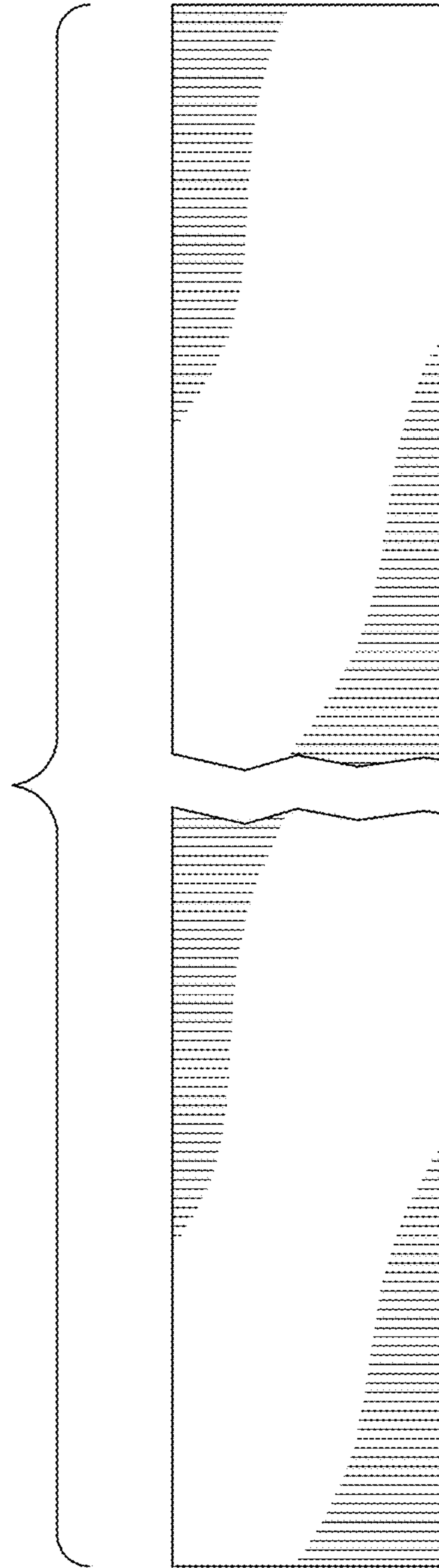


FIG. 7