



US00D825313S

(12) **United States Design Patent** (10) **Patent No.:** **US D825,313 S**
Ocklenburg (45) **Date of Patent:** **** Aug. 14, 2018**

(54) **BICYCLE LOCK**
(71) Applicant: **ABUS August Bremicker Söhne KG,**
Wetter-Volmarstein (DE)
(72) Inventor: **Matthias Ocklenburg,** Darmstadt (DE)
(73) Assignee: **ABUS August Bremicker Söhne KG,**
Wetter-Volmarstein (DE)

(**) Term: **15 Years**
(21) Appl. No.: **29/616,778**
(22) Filed: **Sep. 8, 2017**

(30) **Foreign Application Priority Data**
Mar. 10, 2017 (EM) 003792720
(51) **LOC (11) Cl.** **08-07**
(52) **U.S. Cl.**
USPC **D8/339**
(58) **Field of Classification Search**
USPC D8/324, 330, 331, 334, 343, 349, 339;
70/14, 20, 31, 35, 57, 57.1, 58, 233,
70/237-258
CPC .. E05B 71/00; E05B 73/00; B62J 1/00; B62H
5/00; B62H 5/02; B62H 5/14
See application file for complete search history.

(56) **References Cited**
U.S. PATENT DOCUMENTS
D579,756 S * 11/2008 Hentschel E05B 67/003
D8/331
D657,657 S * 4/2012 Golling D8/331
D658,037 S * 4/2012 Golling D8/331
8,156,772 B2 4/2012 Buhl
D660,683 S * 5/2012 Golling D8/324
D660,684 S * 5/2012 Golling D8/324
D745,366 S * 12/2015 Ocklenburg D8/339
9,217,265 B2 * 12/2015 Muller E05B 71/00
9,341,004 B2 * 5/2016 Elson B62H 5/00
D781,133 S * 3/2017 Heinemann D8/331

D793,206 S * 8/2017 Shenkerman D8/331
2011/0154870 A1 * 6/2011 Buhl E05B 67/003
70/233
2012/0167640 A1 * 7/2012 Buhl E05B 67/003
70/14
2014/0360233 A1 * 12/2014 Muller E05B 71/00
70/18
2016/0369531 A1 * 12/2016 Hommel B62H 5/00

FOREIGN PATENT DOCUMENTS

DE 102005040066 A1 3/2007
EM 000396452-0001 8/2005
EM 001638271-0002 11/2009
EM 001292585-0004 8/2011

OTHER PUBLICATIONS

“Specialized—Bicycles & Equipment Spring 2003”.
“ABUS Gesamtkatalog 2010” pp. 1, 2, 16-19, 172).
Photograph of “RSP Folding Plate Lock” (also marketed as Mag-
num Onguard K-9) available in 2009.

* cited by examiner

Primary Examiner — Ian Simmons
Assistant Examiner — Yolanda Robinson
(74) *Attorney, Agent, or Firm* — Dinsmore & Shohl LLP

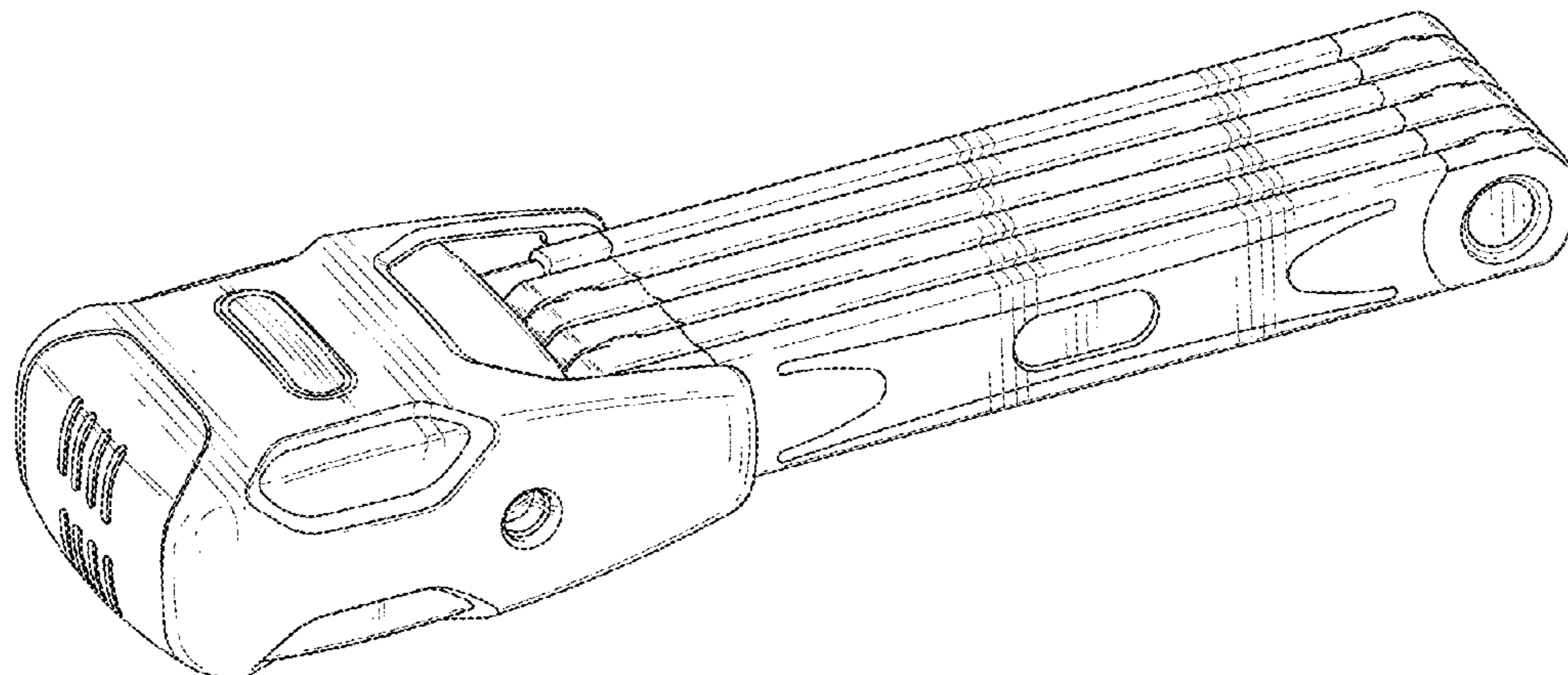
(57) **CLAIM**

The ornamental design for a bicycle lock, as shown and described.

DESCRIPTION

FIG. 1 is an elevational view of a preferred embodiment of the bicycle lock of the design;
FIG. 2 is a top plan view thereof;
FIG. 3 is a bottom plan view thereof;
FIG. 4 is a right side view thereof;
FIG. 5 is a left side view thereof;
FIG. 6 is a left end view thereof; and,
FIG. 7 is a right end view thereof.

1 Claim, 2 Drawing Sheets



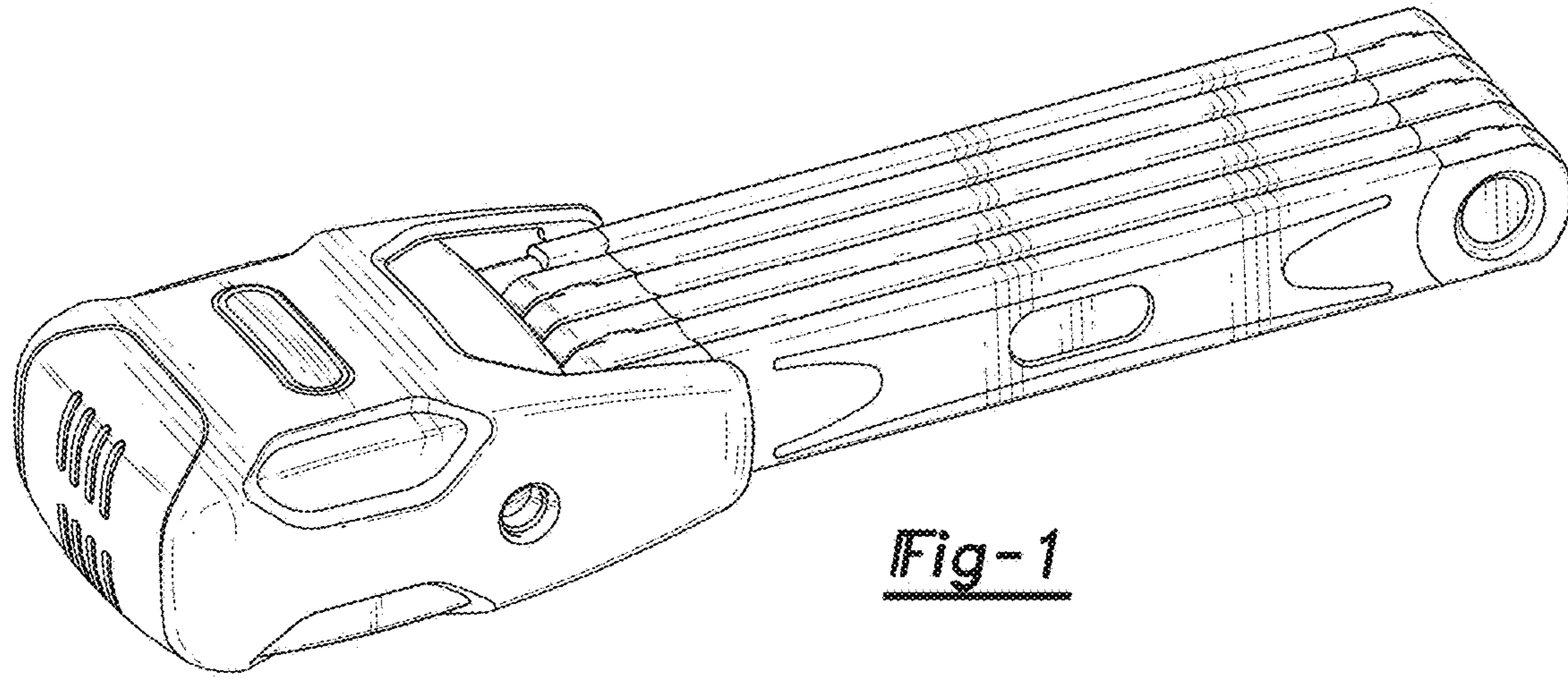


Fig-1

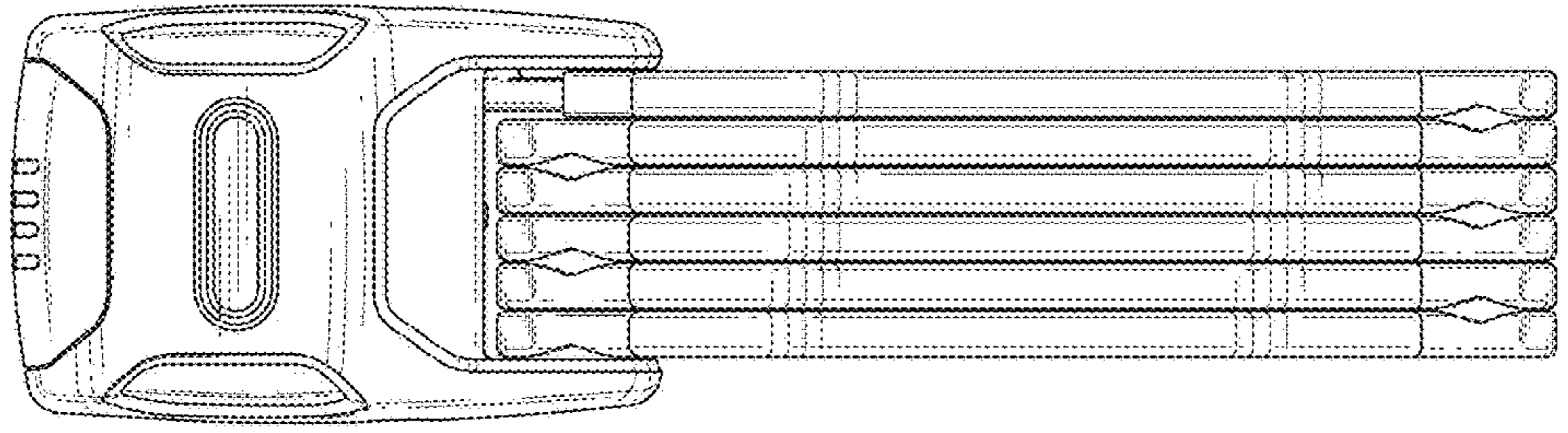


Fig-2

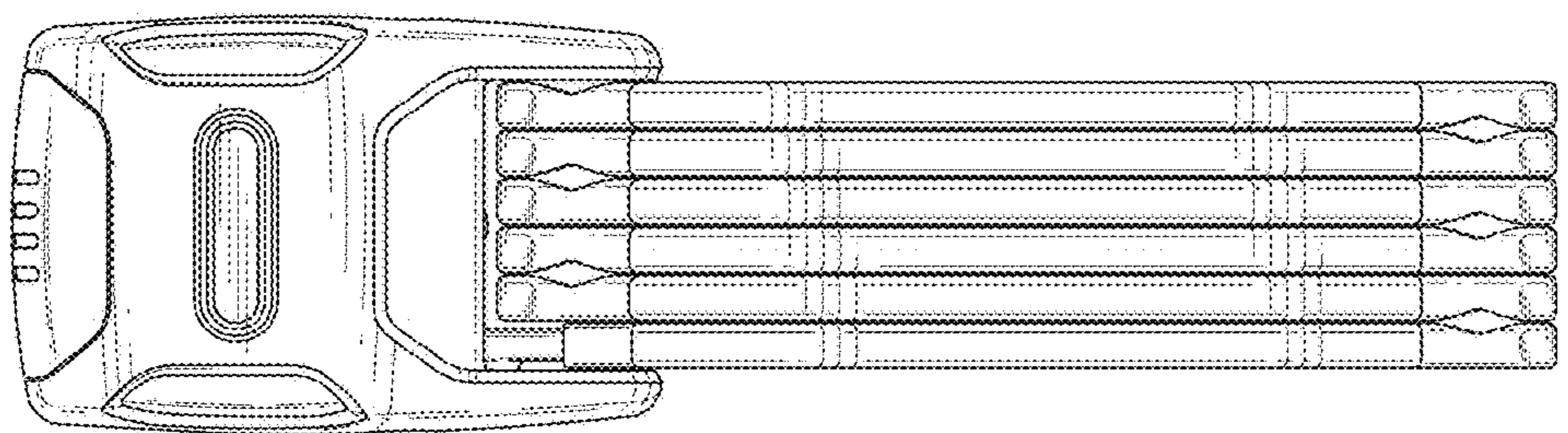


Fig-3

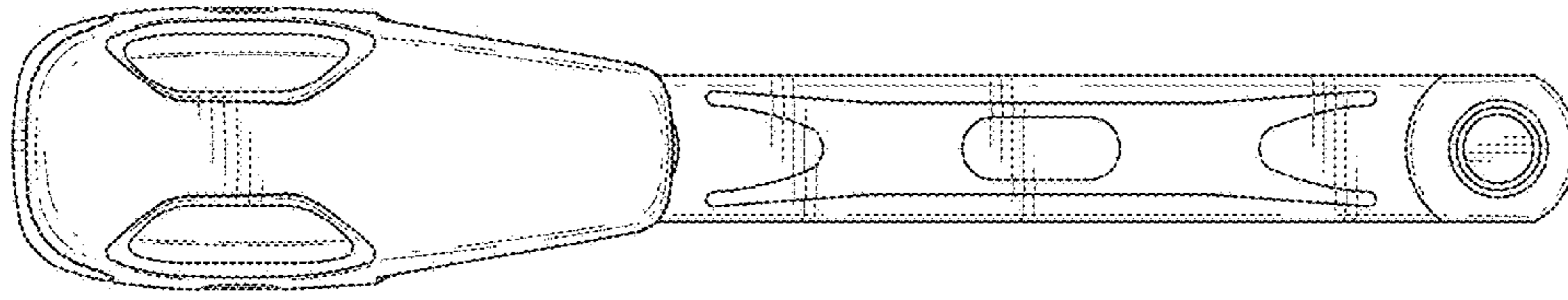


Fig-4

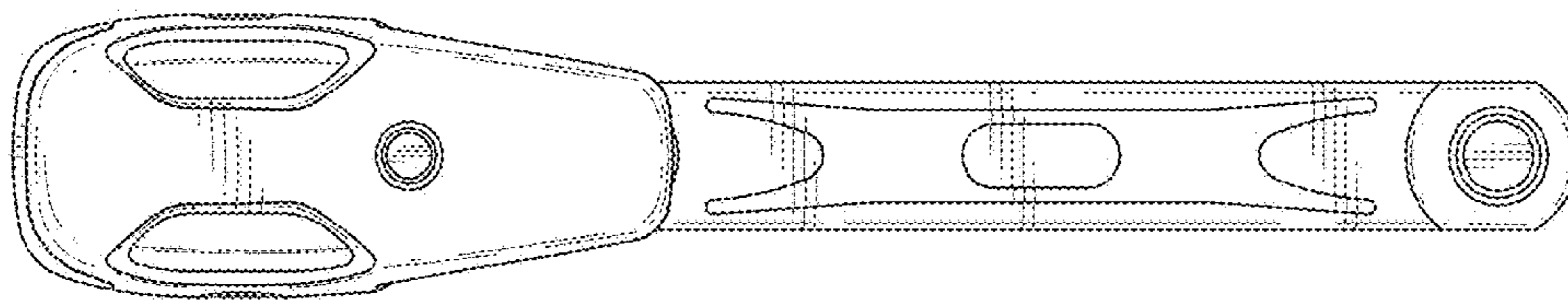


Fig-5

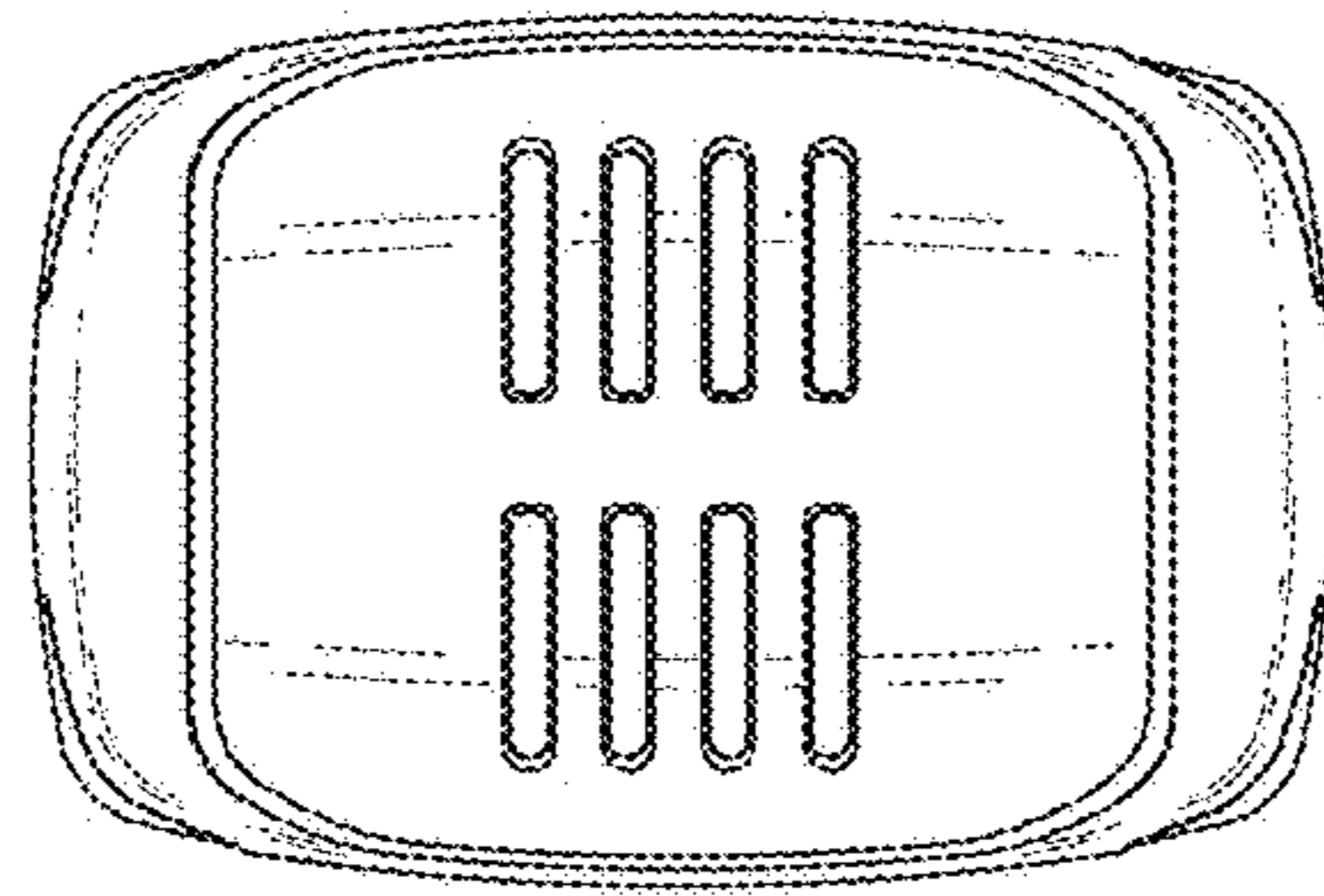


Fig-6

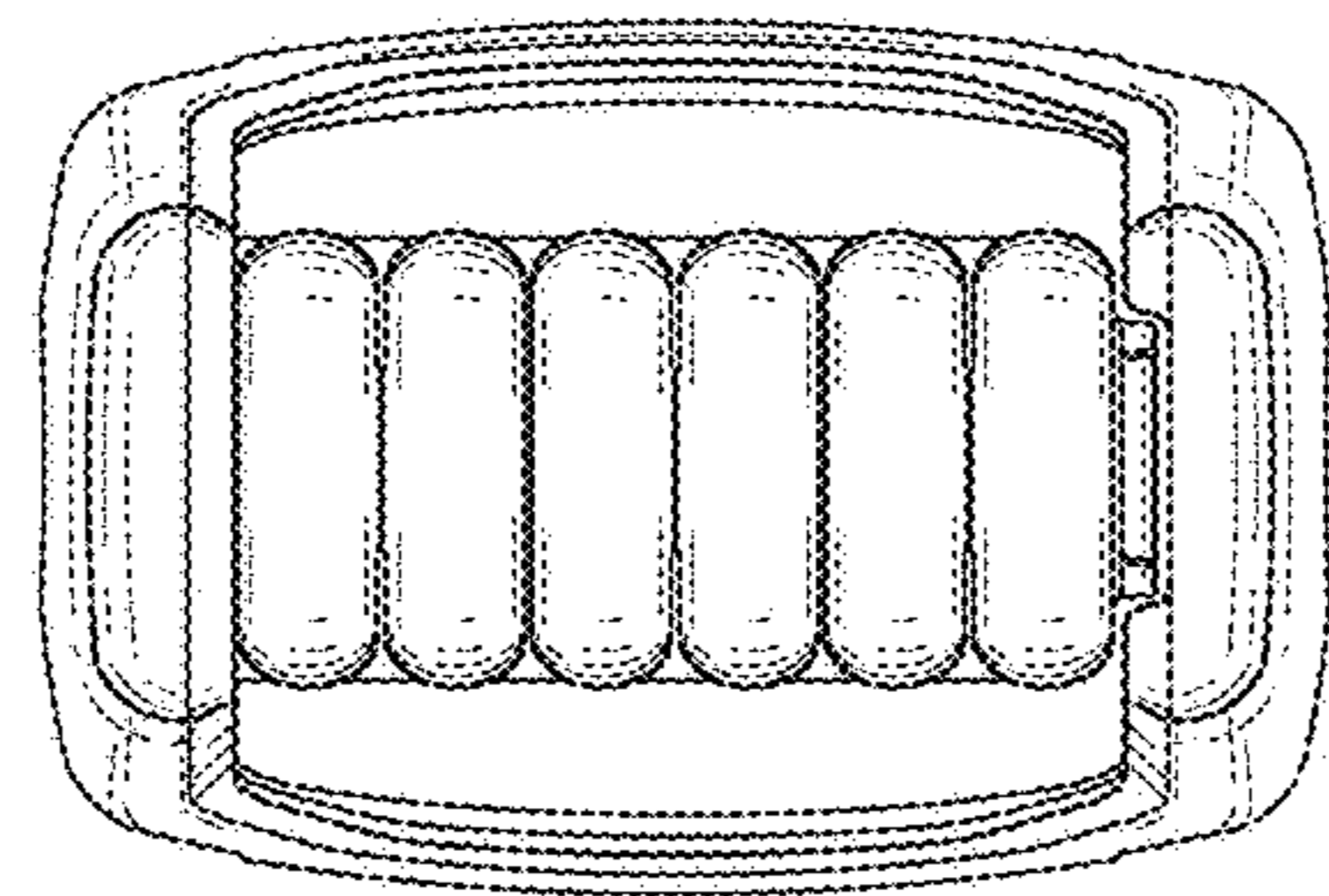


Fig-7