



US00D825310S

(12) **United States Design Patent** (10) **Patent No.:** **US D825,310 S**  
**Liu** (45) **Date of Patent:** **\*\* Aug. 14, 2018**

(54) **BUTTERFLY KNIFE**  
(71) Applicant: **Huan Liu**, Xiaochang County (CN)  
(72) Inventor: **Huan Liu**, Xiaochang County (CN)  
(\*\*) Term: **15 Years**  
(21) Appl. No.: **29/596,677**  
(22) Filed: **Mar. 10, 2017**  
(51) **LOC (11) Cl.** ..... **08-03**  
(52) **U.S. Cl.**  
USPC ..... **D8/99**  
(58) **Field of Classification Search**  
USPC ..... D8/98, 99, 100, 107; D22/118  
CPC ..... B26B 5/001; B26B 5/003; B26B 11/00;  
B26B 1/08; B26B 1/02; B26B 1/04;  
B26B 1/10; B26B 1/044; B26B 1/042;  
B26B 1/046  
See application file for complete search history.

4,722,140 A \* 2/1988 Miceli ..... B26B 1/02  
30/153  
6,195,898 B1 \* 3/2001 Lemisch ..... B26B 1/04  
30/153  
D487,494 S \* 3/2004 Glesser ..... D22/118  
6,715,208 B2 \* 4/2004 Lemisch ..... B26B 1/04  
30/153  
6,848,183 B2 \* 2/2005 Lemisch ..... B26B 1/04  
30/153  
7,676,930 B1 \* 3/2010 Demko ..... B26B 1/04  
30/153  
D701,103 S \* 3/2014 Marfione ..... D8/99  
8,973,273 B2 \* 3/2015 Brown ..... B25G 3/38  
30/153  
D727,691 S \* 4/2015 Wang ..... D7/644

**OTHER PUBLICATIONS**

Print out from Google image search for butterfly training knife.\*

\* cited by examiner

*Primary Examiner* — Philip S Hyder

(56) **References Cited**  
U.S. PATENT DOCUMENTS

D163,746 S \* 6/1951 Dobbs et al. .... D3/248  
2,714,592 A \* 8/1955 Mueller ..... C07J 53/004  
540/54  
4,271,592 A \* 6/1981 Hoptner ..... B26B 1/02  
30/153  
4,330,937 A \* 5/1982 Cope ..... A22C 25/006  
30/153  
4,364,174 A \* 12/1982 De Asis ..... B26B 1/10  
30/153  
4,547,965 A \* 10/1985 Moore ..... B26B 1/04  
30/153  
4,555,822 A \* 12/1985 Miceli ..... B26B 1/04  
30/153  
D289,368 S \* 4/1987 Mann ..... 401/195  
4,672,743 A \* 6/1987 Grahm ..... B26B 1/00  
30/153

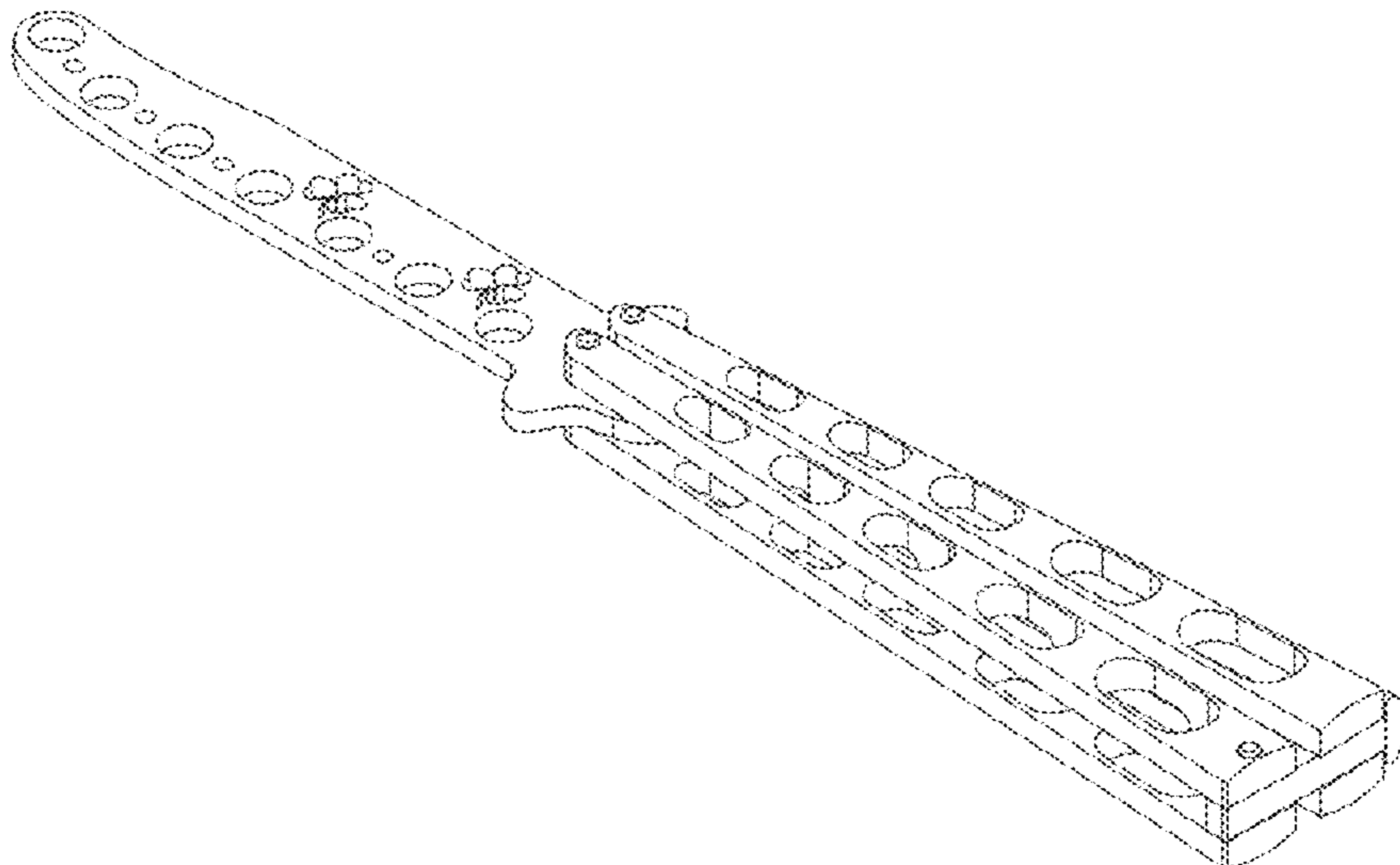
(57) **CLAIM**

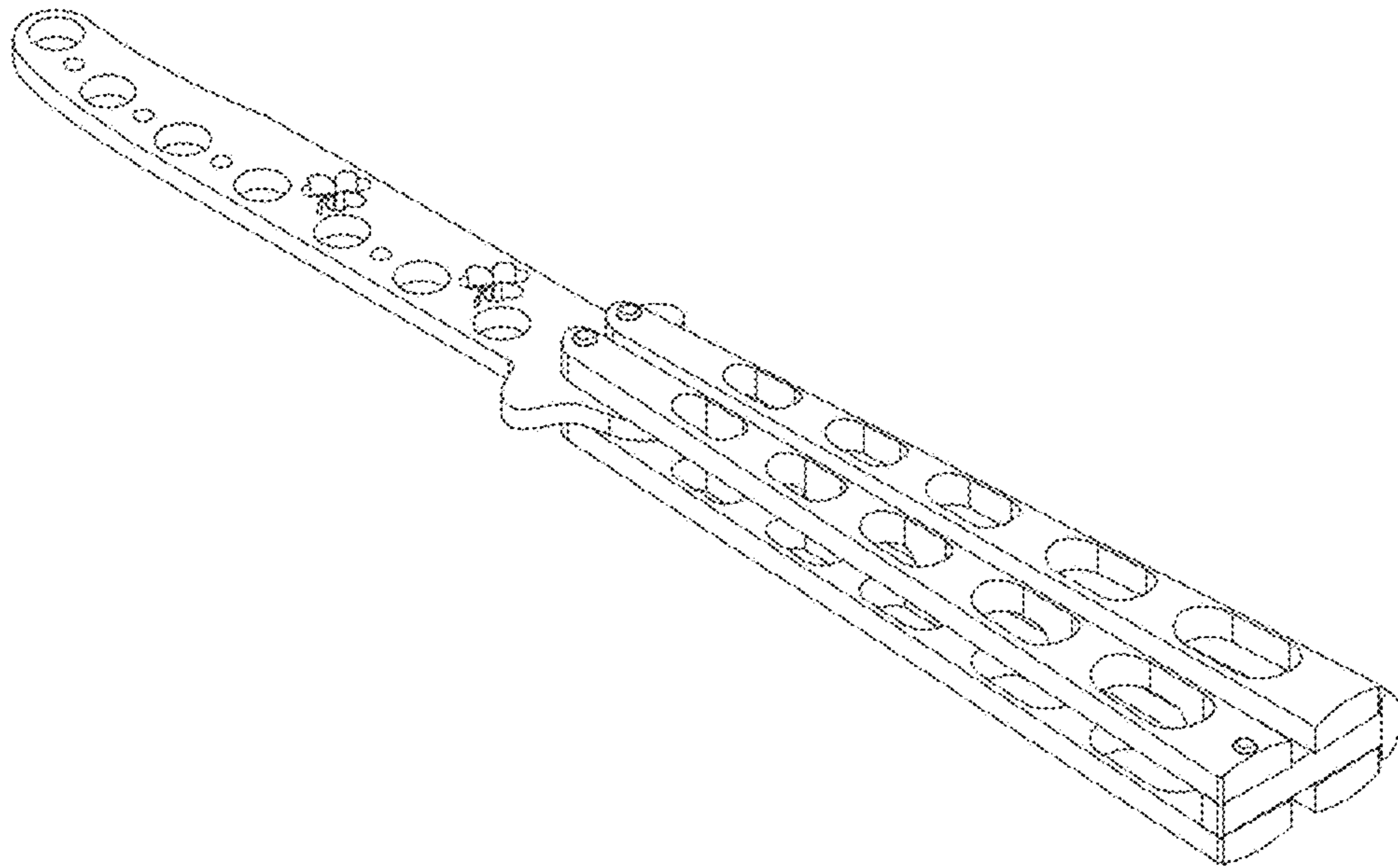
The ornamental design for a butterfly knife, as shown and described.

**DESCRIPTION**

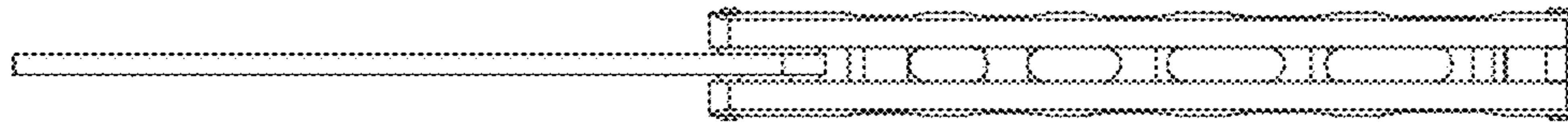
FIG. 1 is a perspective view of a butterfly knife showing my new design;  
FIG. 2 is a front elevational view thereof;  
FIG. 3 is a rear elevational view thereof;  
FIG. 4 is a right side view thereof;  
FIG. 5 is a left side view thereof;  
FIG. 6 is a bottom plan view thereof; and,  
FIG. 7 is a top plan view thereof.

**1 Claim, 4 Drawing Sheets**





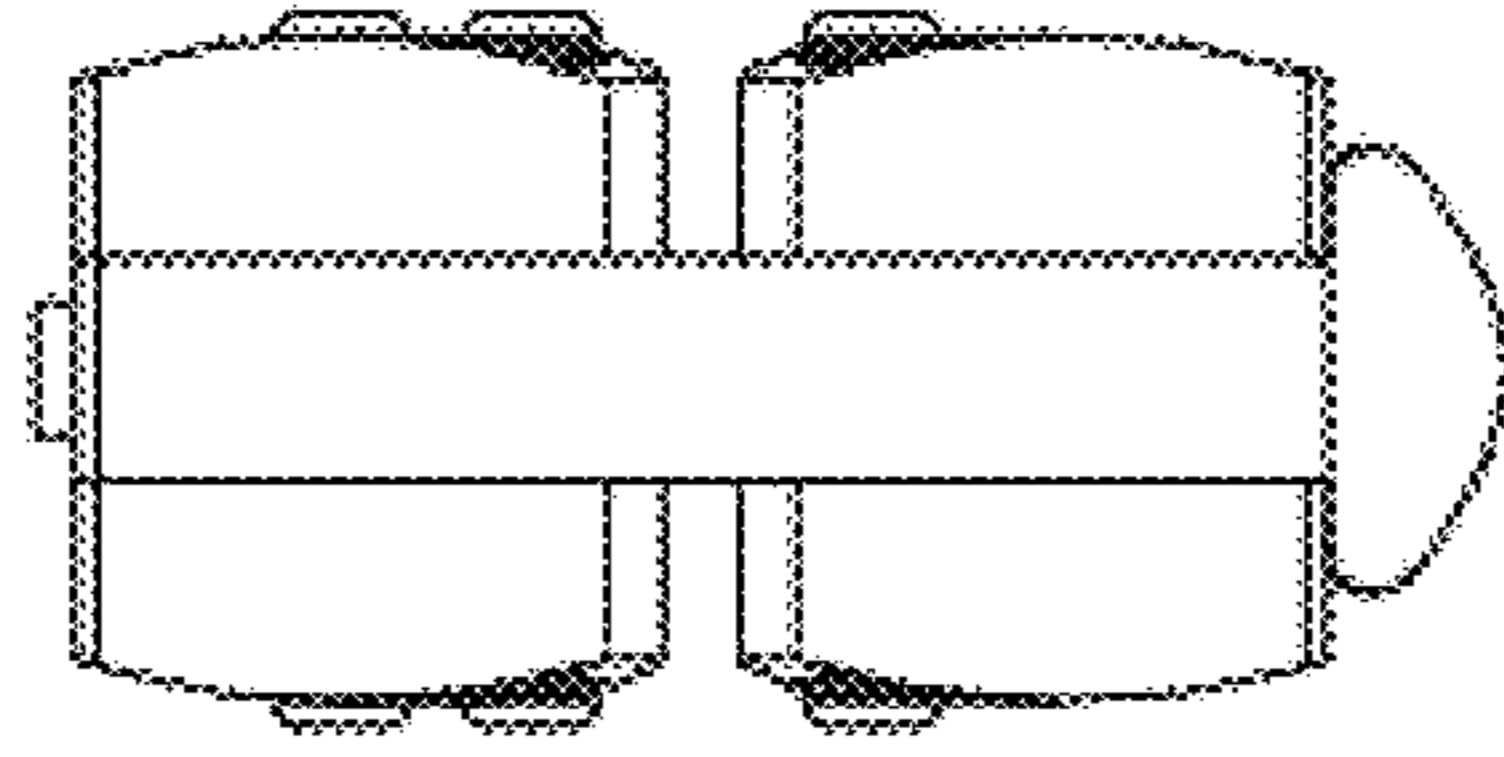
**FIG. 1**



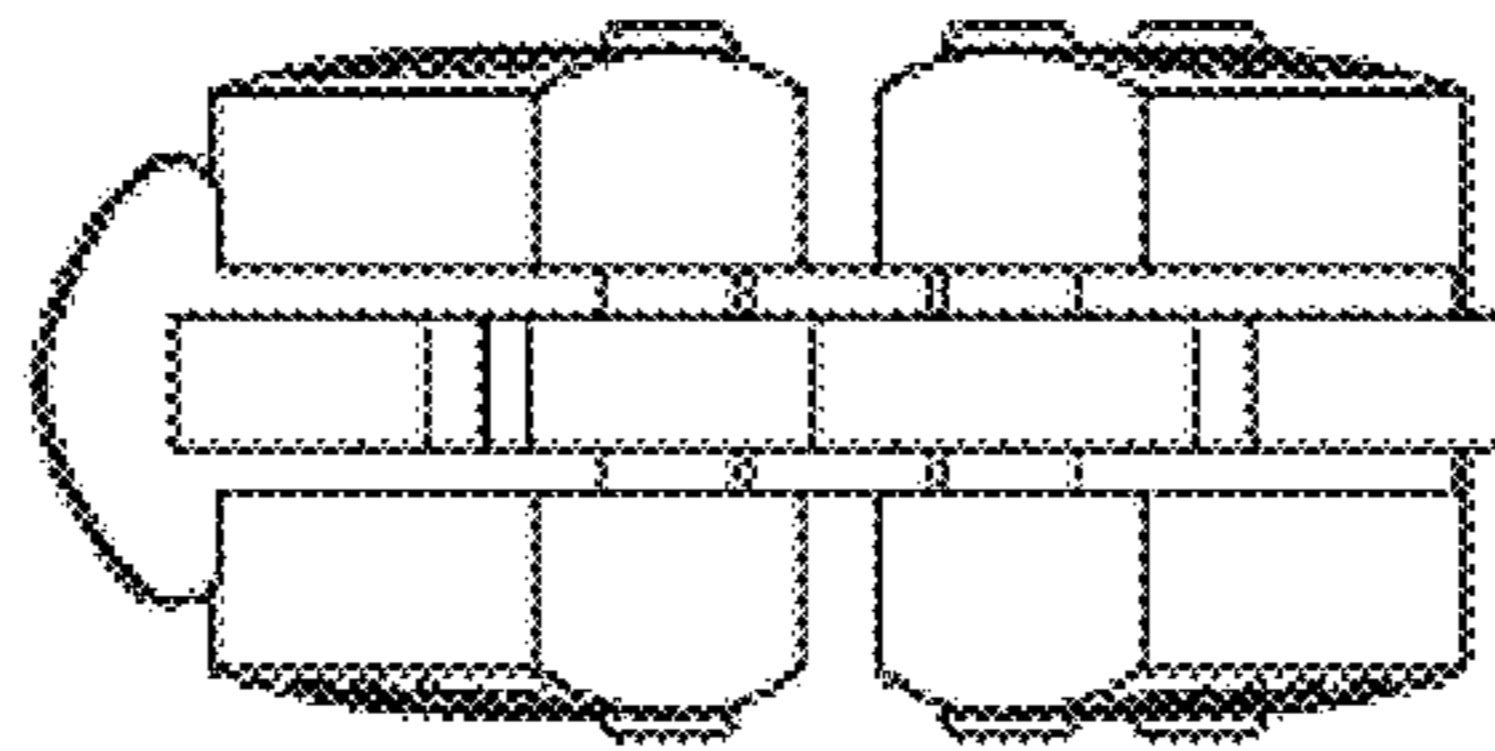
**FIG. 2**



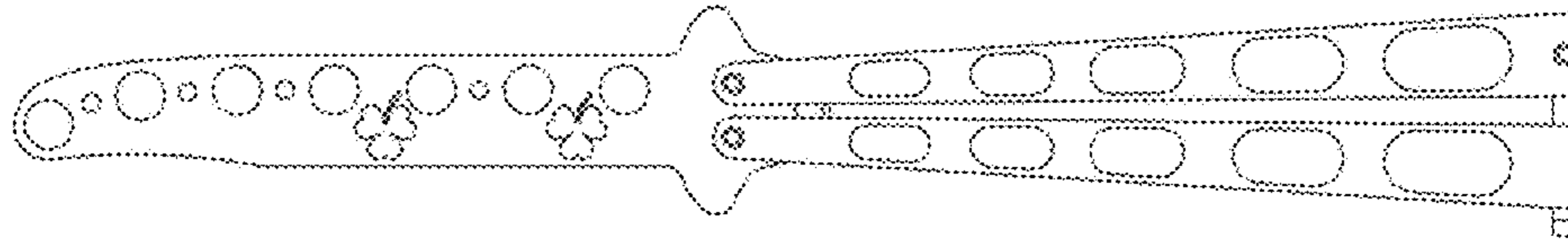
**FIG. 3**



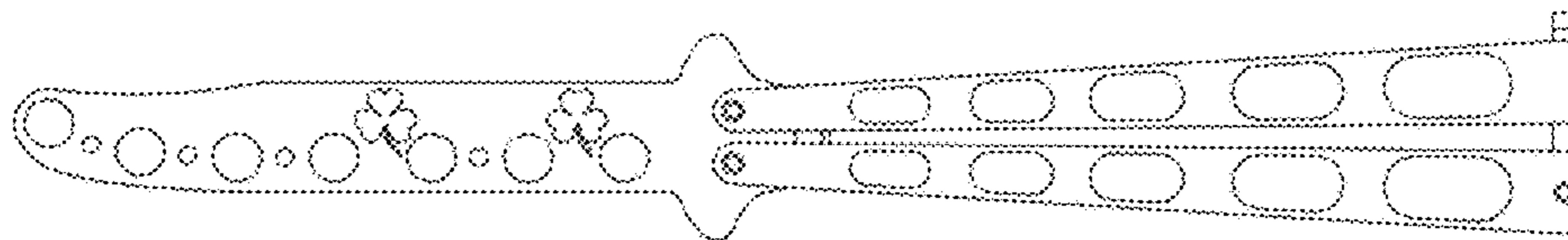
**FIG. 4**



**FIG. 5**



**FIG. 6**



**FIG. 7**