



US00D825308S

(12) **United States Design Patent**  
**Hsu**

(10) **Patent No.:** **US D825,308 S**

(45) **Date of Patent:** **\*\* Aug. 14, 2018**

(54) **HAMMER**

(71) Applicant: **Cheng-Tung Hsu**, Taipei (TW)

(72) Inventor: **Cheng-Tung Hsu**, Taipei (TW)

(\*\*) Term: **15 Years**

(21) Appl. No.: **29/590,590**

(22) Filed: **Jan. 11, 2017**

(51) **LOC (11) Cl.** ..... **08-02**

(52) **U.S. Cl.**  
USPC ..... **D8/75**; D8/78

(58) **Field of Classification Search**  
USPC ..... D8/75, 76, 77, 79, 80, 81, 45  
CPC ... B25D 1/00; B25D 1/02; B25D 1/04; B25D  
1/045; B25D 1/12; B25D 1/14; B25D  
1/16; B25G 1/01; B25G 1/02; B25G  
1/102

See application file for complete search history.

(56) **References Cited**

**U.S. PATENT DOCUMENTS**

D470,380 S *	2/2003	Huang	.....	D8/75
7,874,231 B2 *	1/2011	Hanlon	.....	B25D 1/12
				81/22
D653,925 S *	2/2012	Hung	.....	D8/78
D676,302 S *	2/2013	Vanderbeek	.....	D8/75

D677,550 S *	3/2013	Bauer-Juarez	.....	D8/75
9,193,059 B2 *	11/2015	Lombardi	.....	B25G 1/10
D747,943 S *	1/2016	Hung	.....	D8/75
D777,549 S *	1/2017	Hung	.....	D8/78
D795,667 S *	8/2017	Chen	.....	D8/79
9,718,179 B1 *	8/2017	Martinez	.....	B25D 1/04
2012/0091409 A1 *	4/2012	Hanlon	.....	B25D 1/06
				254/26 R

\* cited by examiner

*Primary Examiner* — Phillip S Hyder  
(74) *Attorney, Agent, or Firm* — Li & Cai Intellectual Property (USA) Office

(57) **CLAIM**

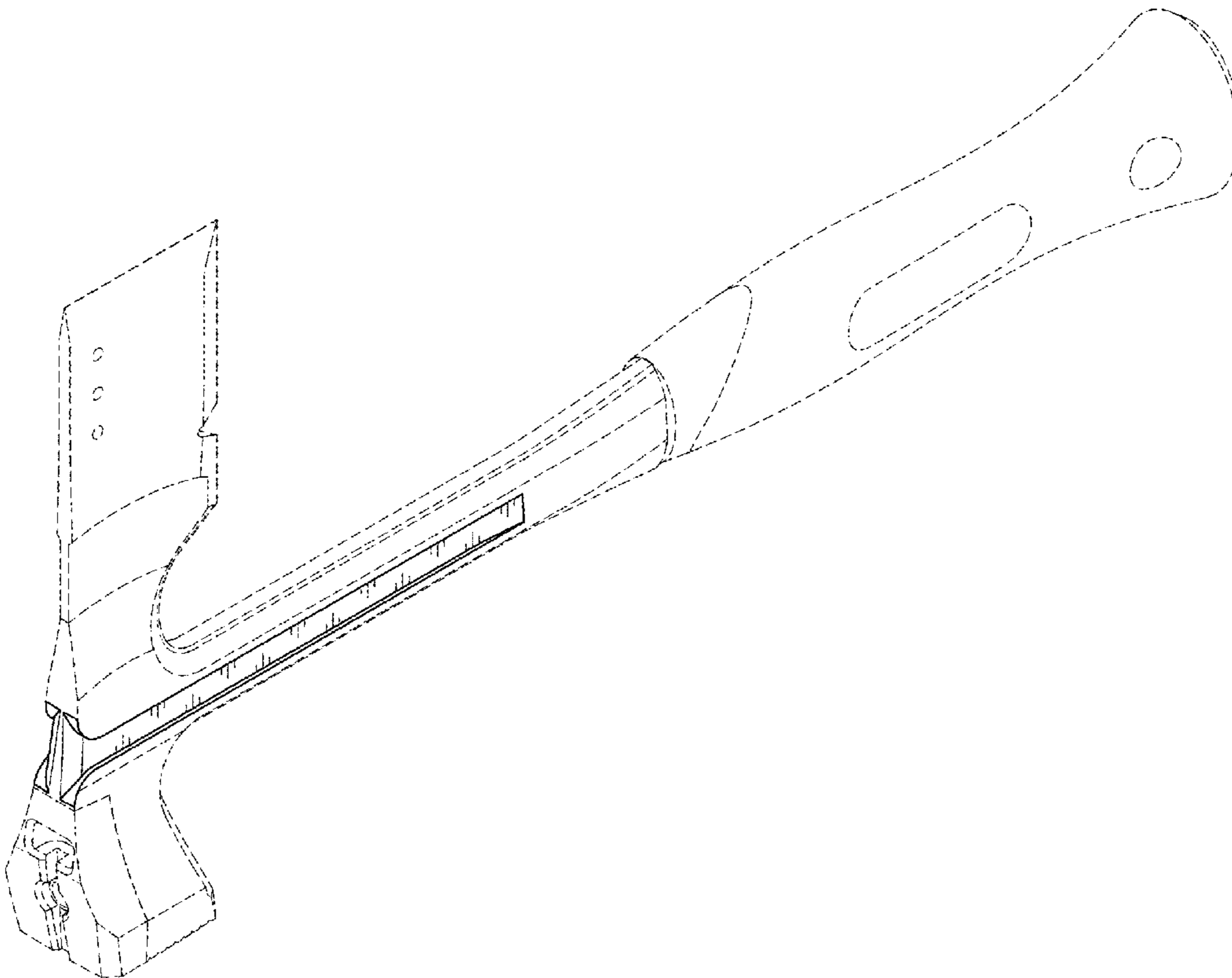
The ornamental design for a “hammer,” as shown and described.

**DESCRIPTION**

FIG. 1 is a perspective view of a “hammer” showing my new design;  
FIG. 2 is a front view thereof;  
FIG. 3 is a rear view thereof;  
FIG. 4 is a left side view thereof;  
FIG. 5 is a right side view thereof;  
FIG. 6 is a top view thereof;  
FIG. 7 is a bottom view thereof; and,  
FIG. 8 is a perspective view viewed from another visual angle thereof.

The broken lines depicted portions of the hammer in which the design is embodied that form no part of claimed design.

**1 Claim, 6 Drawing Sheets**



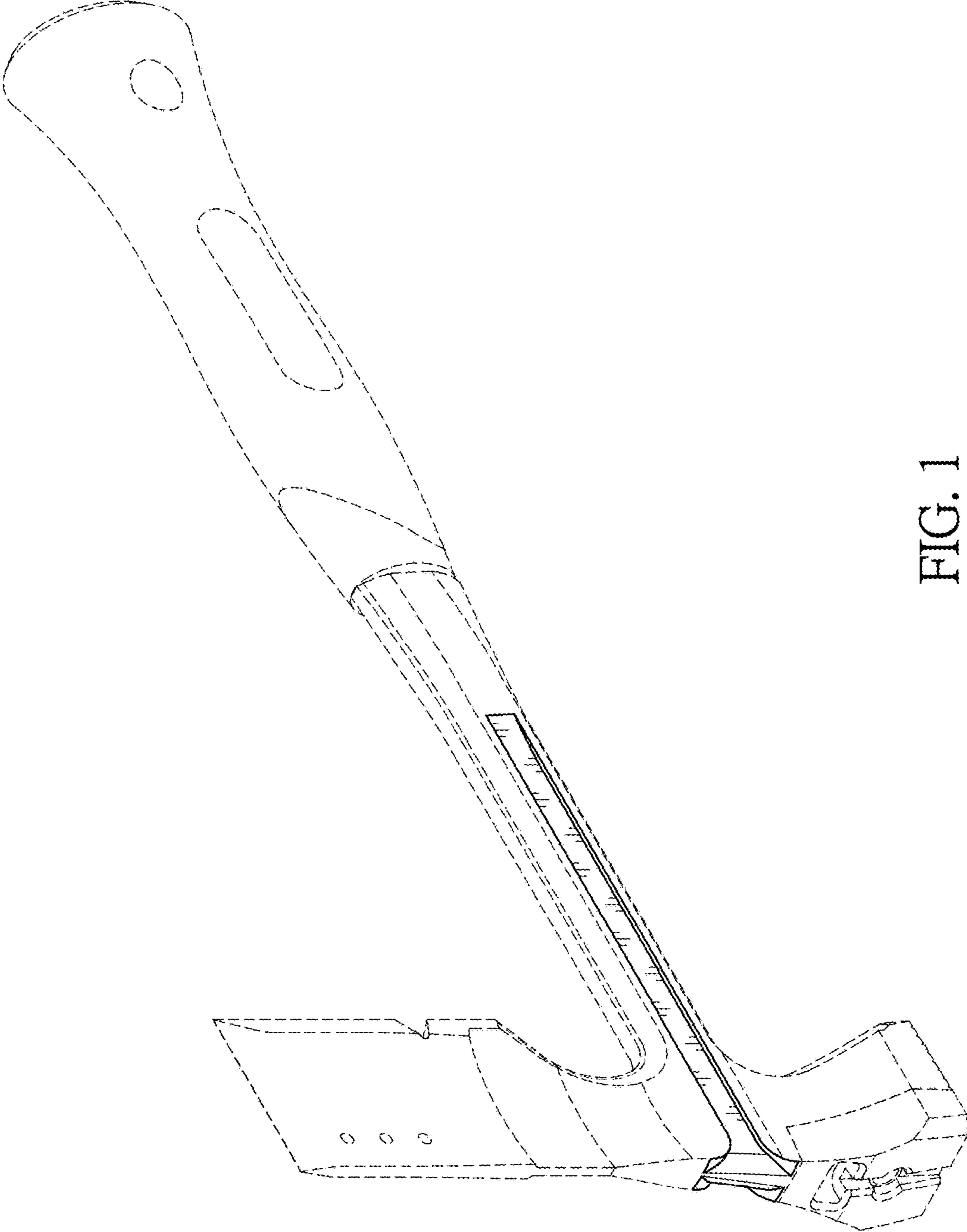


FIG. 1

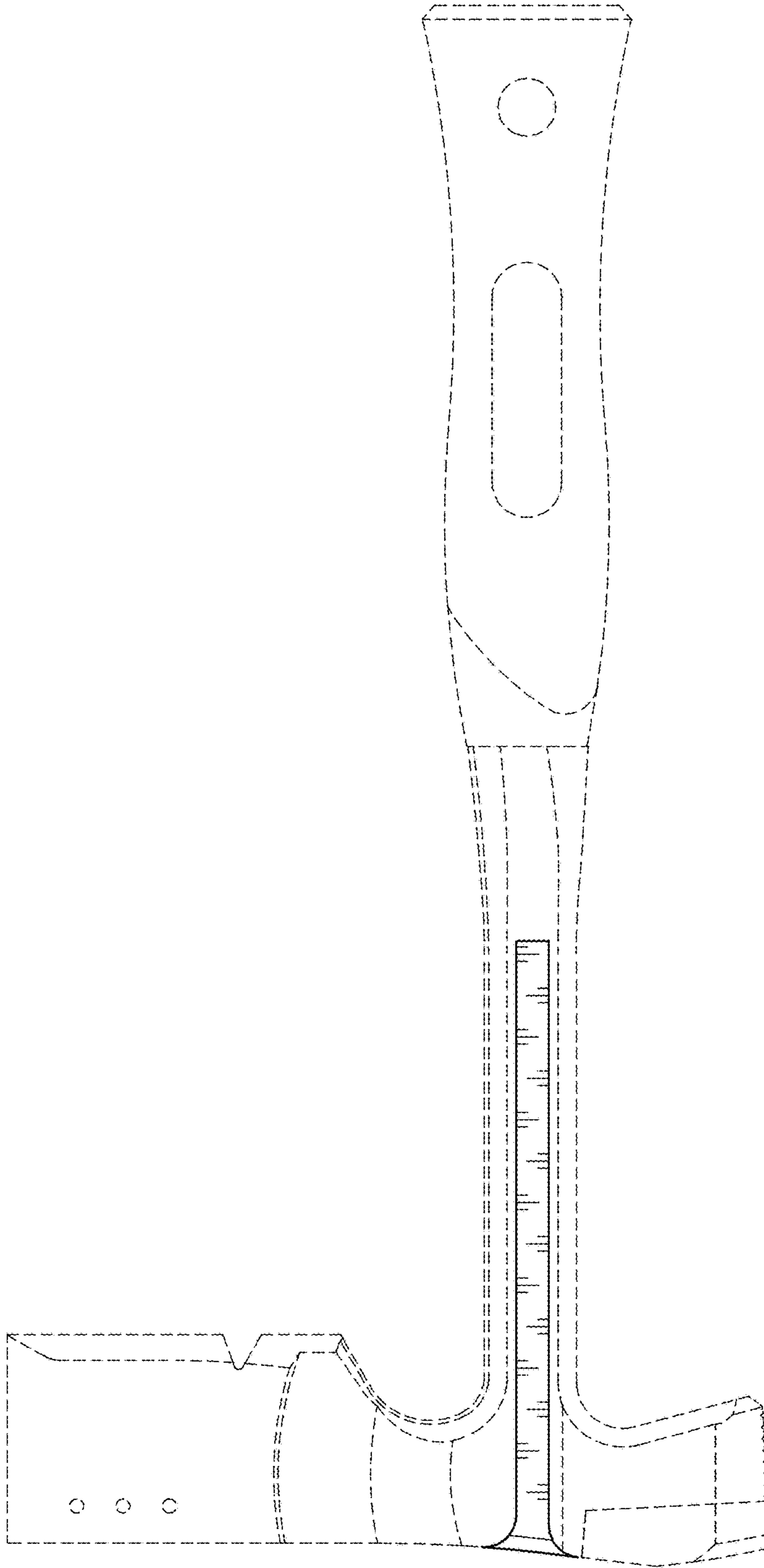


FIG. 2

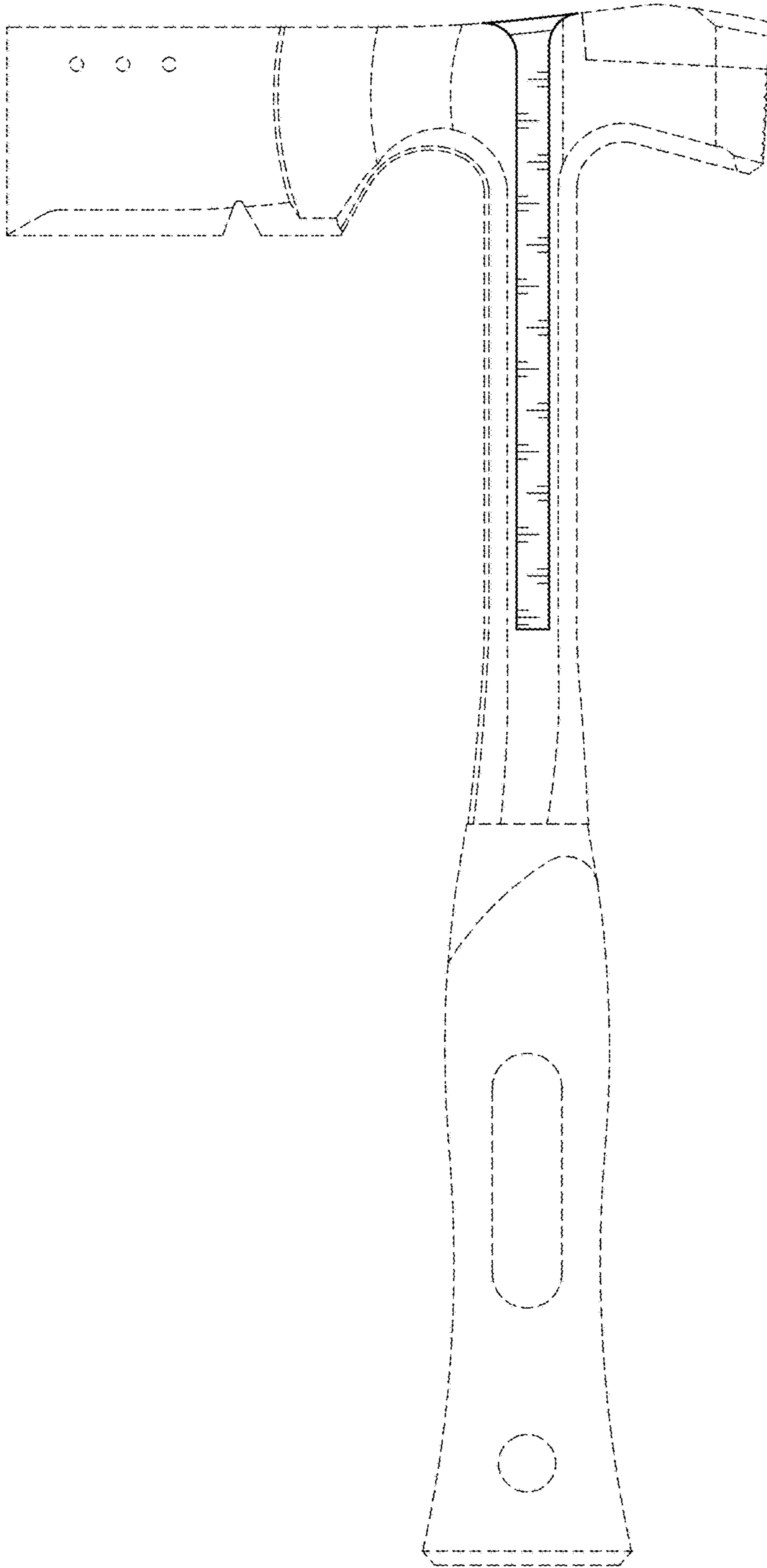


FIG. 3

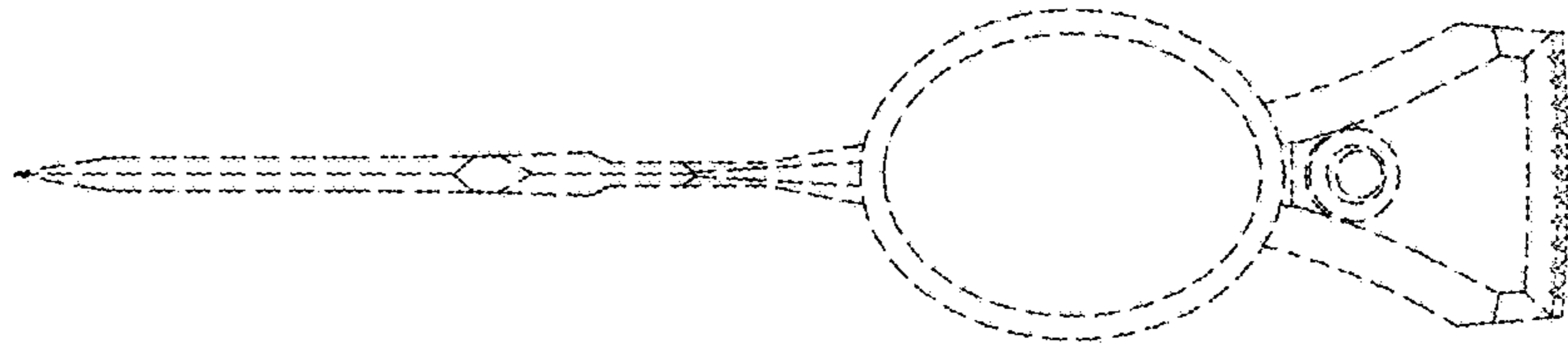


FIG. 5

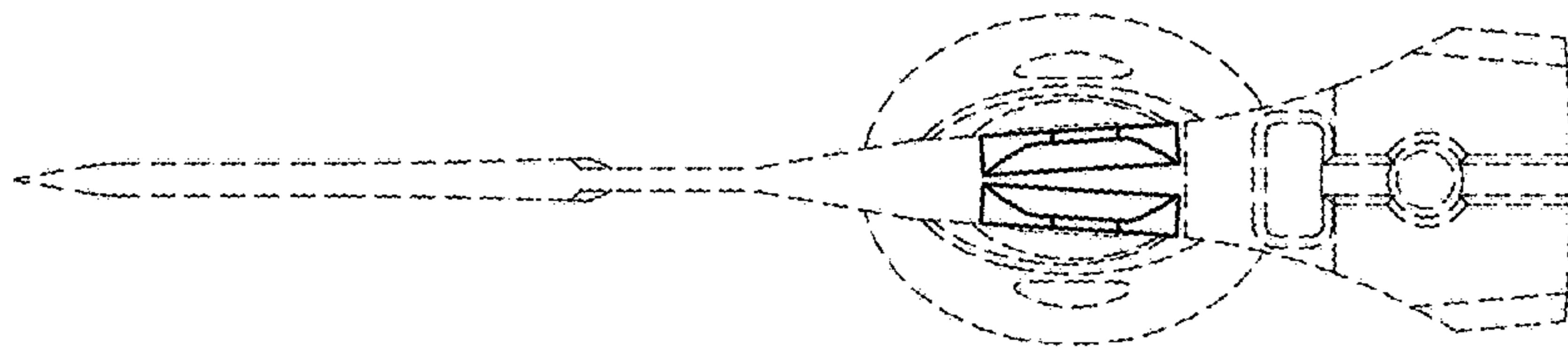


FIG. 4

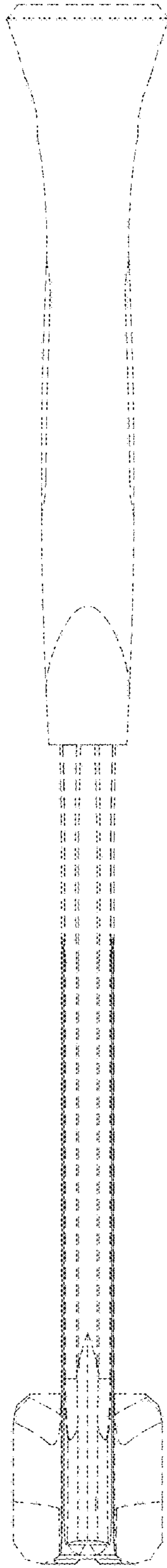


FIG. 6

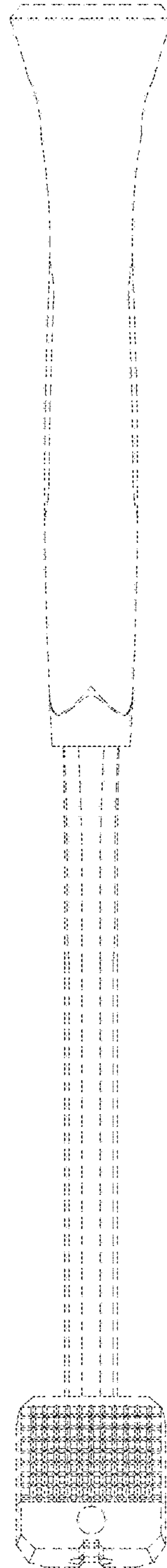


FIG. 7

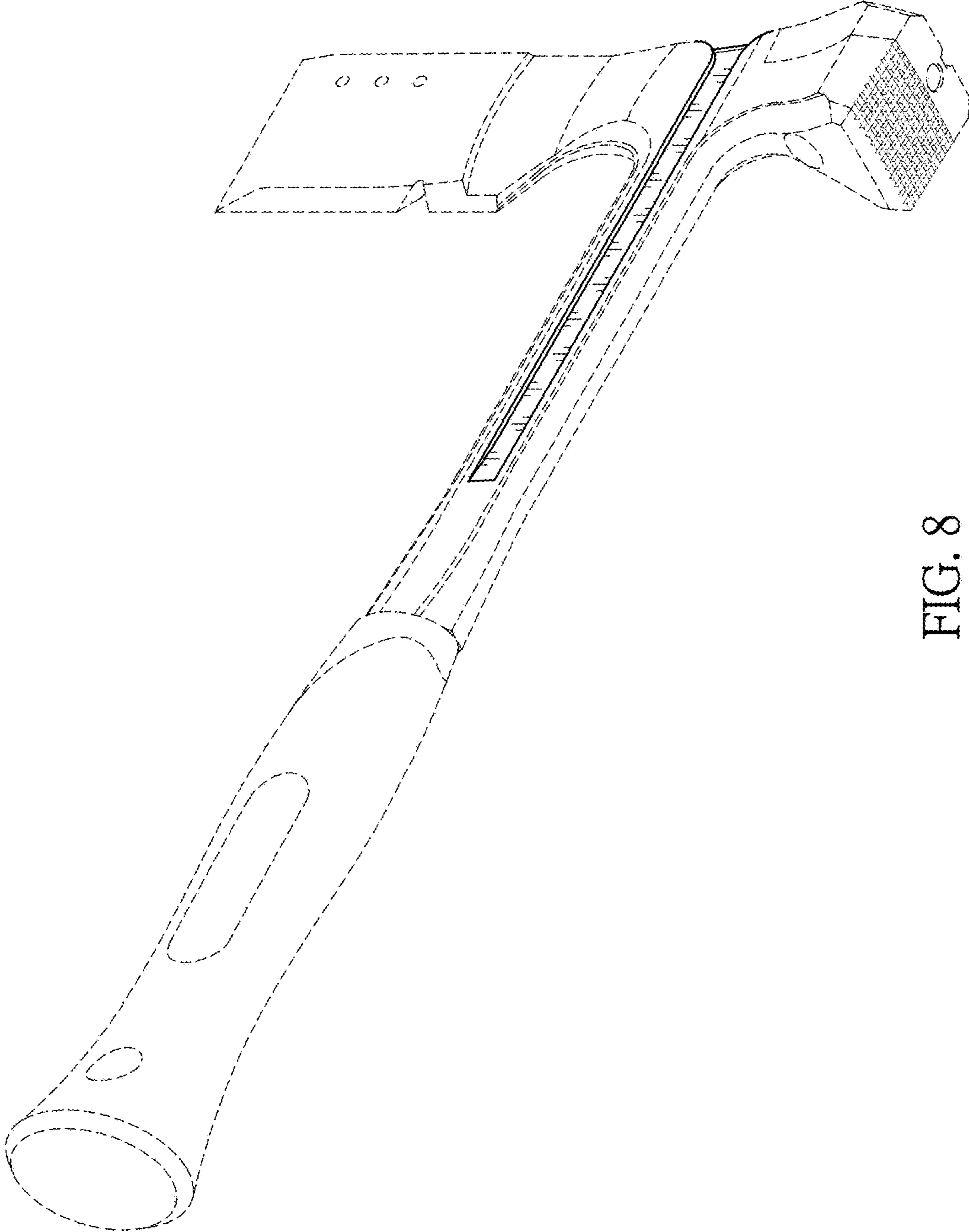


FIG. 8