



US00D825307S

(12) **United States Design Patent** (10) **Patent No.:** **US D825,307 S**
Peterman et al. (45) **Date of Patent:** **** Aug. 14, 2018**

(54) **CLAMP**
(71) Applicant: **VIBRO-ACOUSTICS**, Markham (CA)
(72) Inventors: **Karl Lucas Peterman**, Pickering (CA);
Sami Elkhazin, Toronto (CA); **Sarper Arun**, Richmond Hill (CA)
(73) Assignee: **SWEGON NORTH AMERICA INC.**, Markham (CA)

D378,343 S * 3/1997 Macor D8/73
D435,208 S * 12/2000 Miller D8/72
D435,417 S * 12/2000 Miller D8/72
D435,771 S * 1/2001 Miller D8/72
D476,881 S * 7/2003 Niwa D6/328
D551,528 S * 9/2007 Vautour D8/72
D556,531 S * 12/2007 Allen D8/72
D658,977 S * 5/2012 Riddell D8/394
D730,708 S * 6/2015 Spector D8/73
D743,244 S * 11/2015 Anderson D8/394
D763,671 S * 8/2016 Sizelove D8/394

(**) Term: **15 Years**

(21) Appl. No.: **29/605,536**

(22) Filed: **May 26, 2017**

(51) **LOC (11) Cl.** **08-05**

(52) **U.S. Cl.**
USPC **D8/73**

(58) **Field of Classification Search**
USPC D8/71-74, 394-399, 354, 355, 356, 59;
248/62, 63, 72, 74.1, 689, 124.2; 81/487,
81/385, 386, 388-390; 269/3, 4, 6, 143,
269/165, 240, 243, 246-249, 254 R,
269/147-149; 29/256, 257, 276;
D15/140; D24/143; 408/103, 104-109;
D7/683, 685, 686; D6/684
CPC B25B 1/00; B25B 5/00; B25B 1/2478;
B25B 1/103; B25B 1/22; B25B 1/2405;
B25B 1/2457

See application file for complete search history.

(56) **References Cited**

U.S. PATENT DOCUMENTS

D310,185 S * 8/1990 Tick D11/182
D358,971 S * 6/1995 Glynn D8/73

OTHER PUBLICATIONS

Vibro-acoustics website, BC-50 datasheet, Apr. 18, 2017, <https://virs.vibro-acoustics.com/wp-content/uploads/sites/09/2017/09/DS-BC-001.pdf>.*

* cited by examiner

Primary Examiner — David Muller
Assistant Examiner — Nathan Johnston

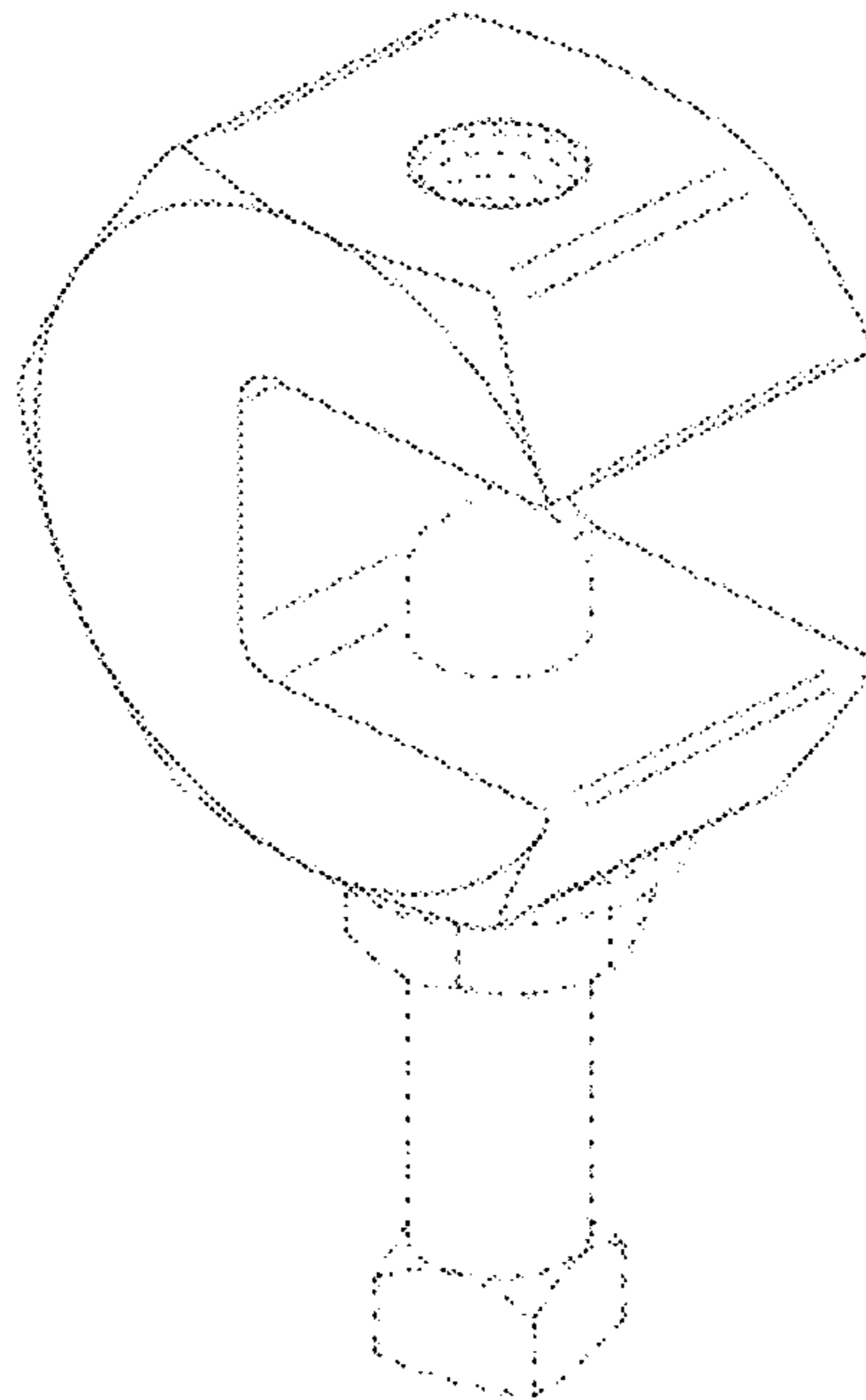
(57) **CLAIM**

The ornamental design for a “clamp”, as shown and described.

DESCRIPTION

FIG. 1 is an isometric view of the a clamp showing our new design;
FIG. 2 is a side elevation view thereof;
FIG. 3 is a front elevation view thereof;
FIG. 4 is a rear elevation view thereof; and,
FIG. 5 is a top plan view thereof.
The broken lines show portions of the design that form no part of the claimed design.

1 Claim, 5 Drawing Sheets



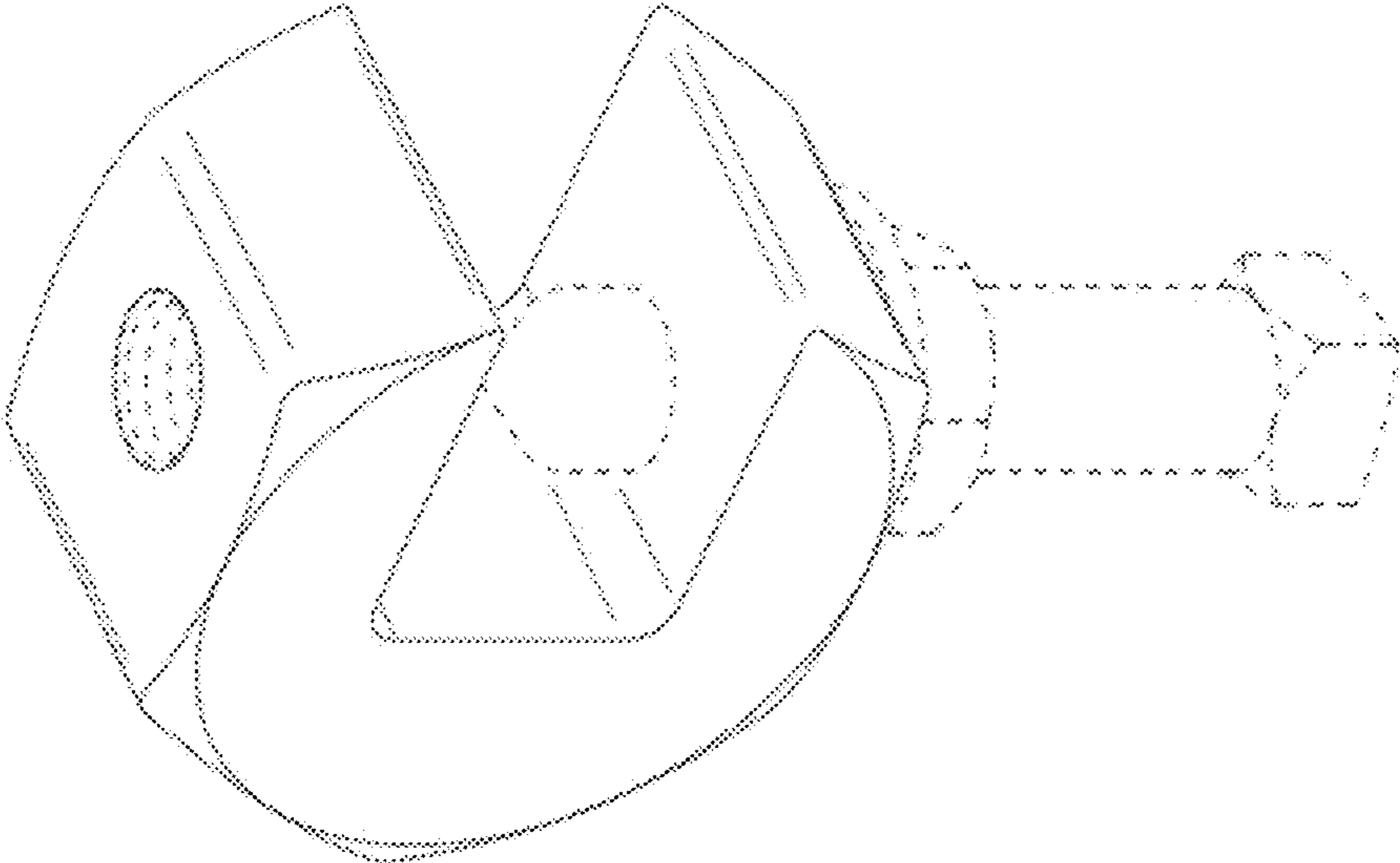


FIG. 1

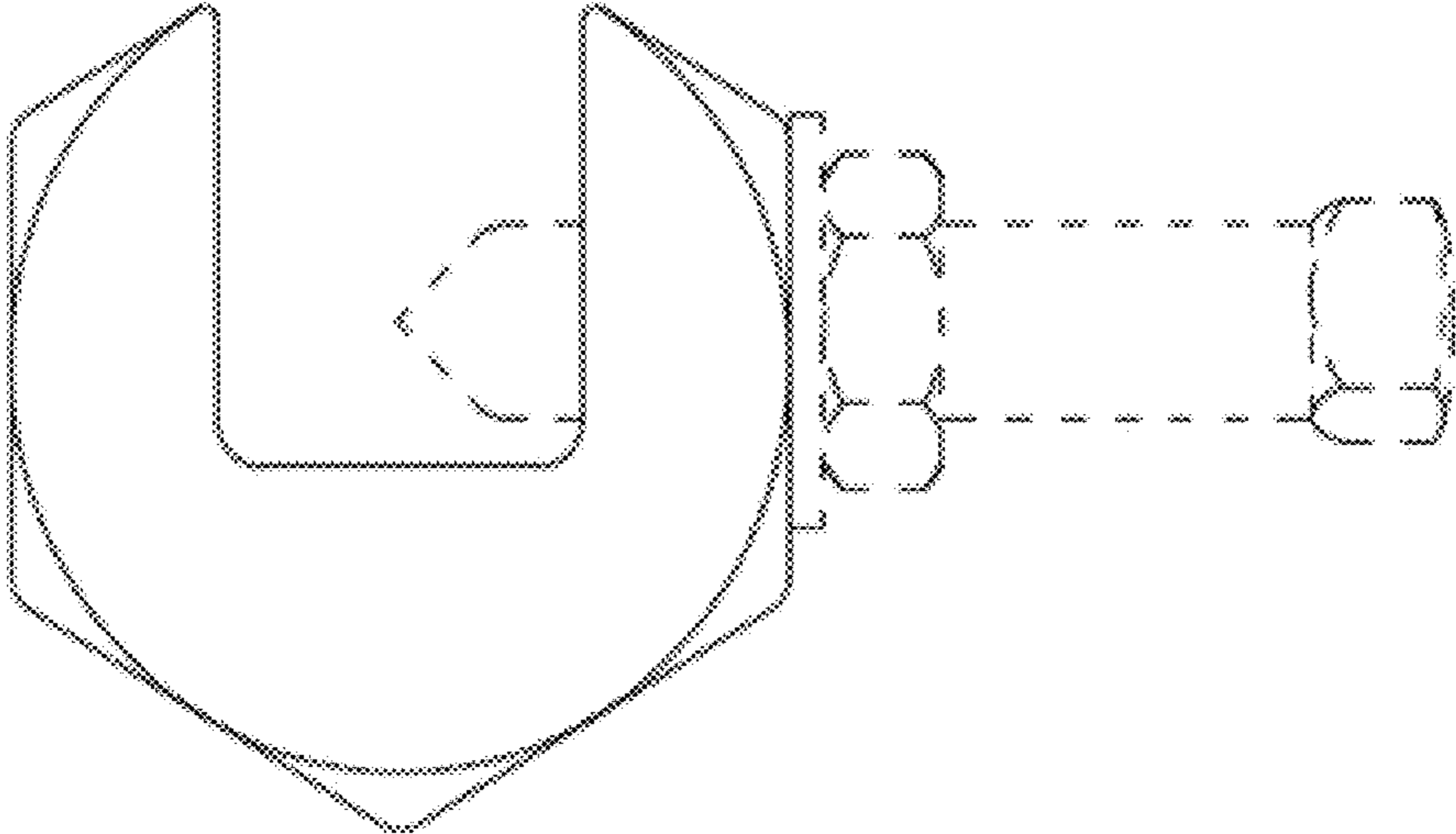


FIG. 2

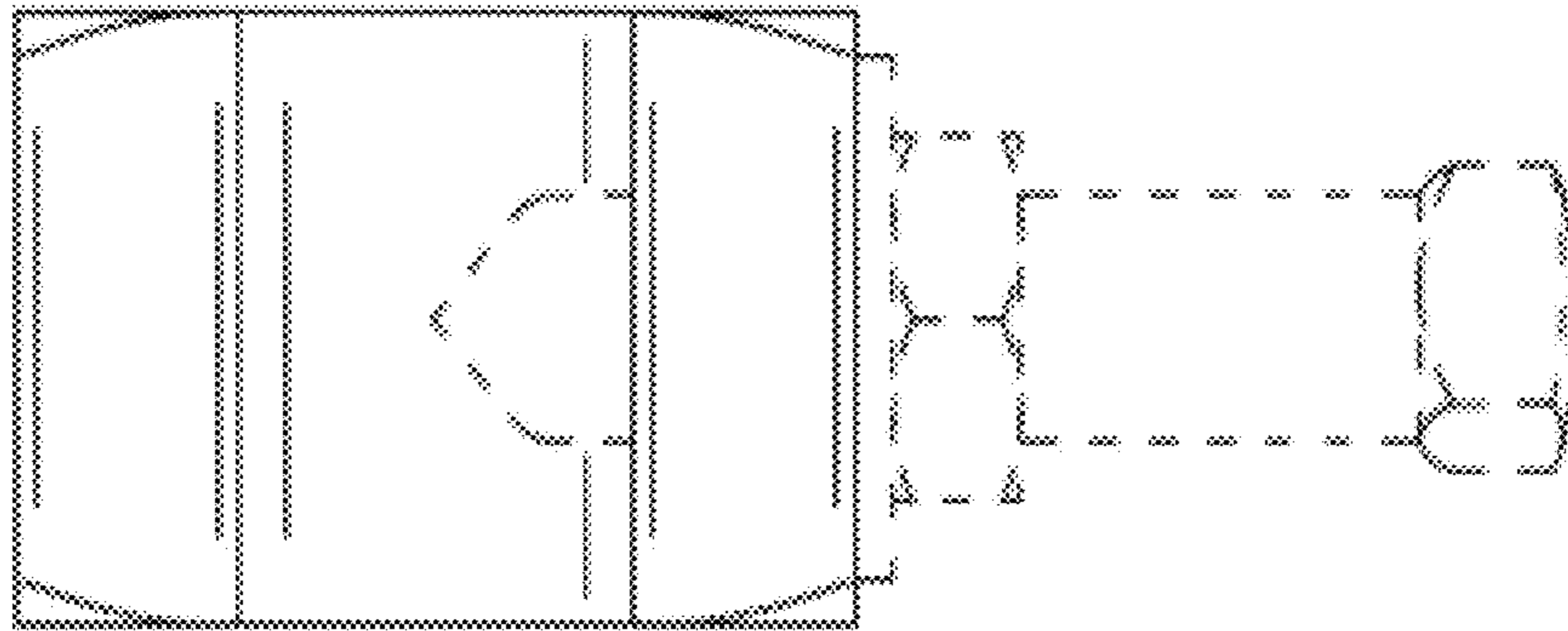


FIG. 3

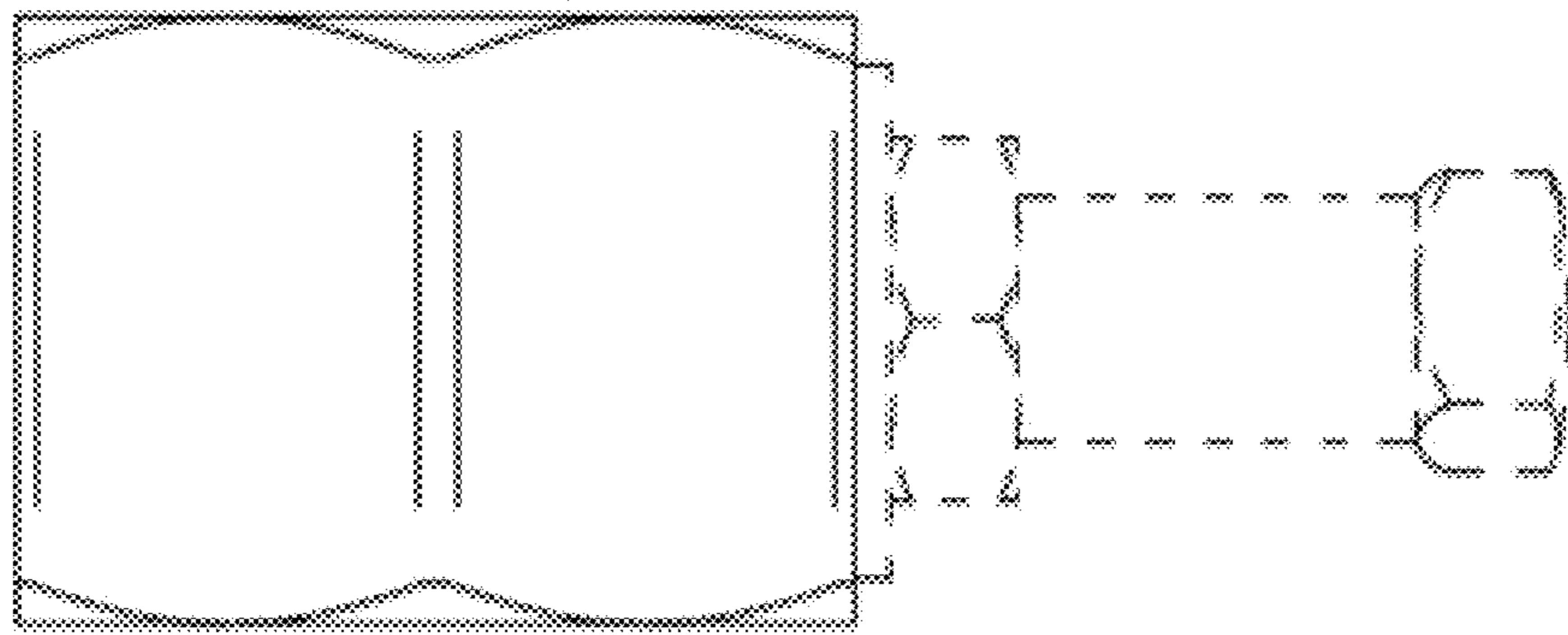


FIG. 4

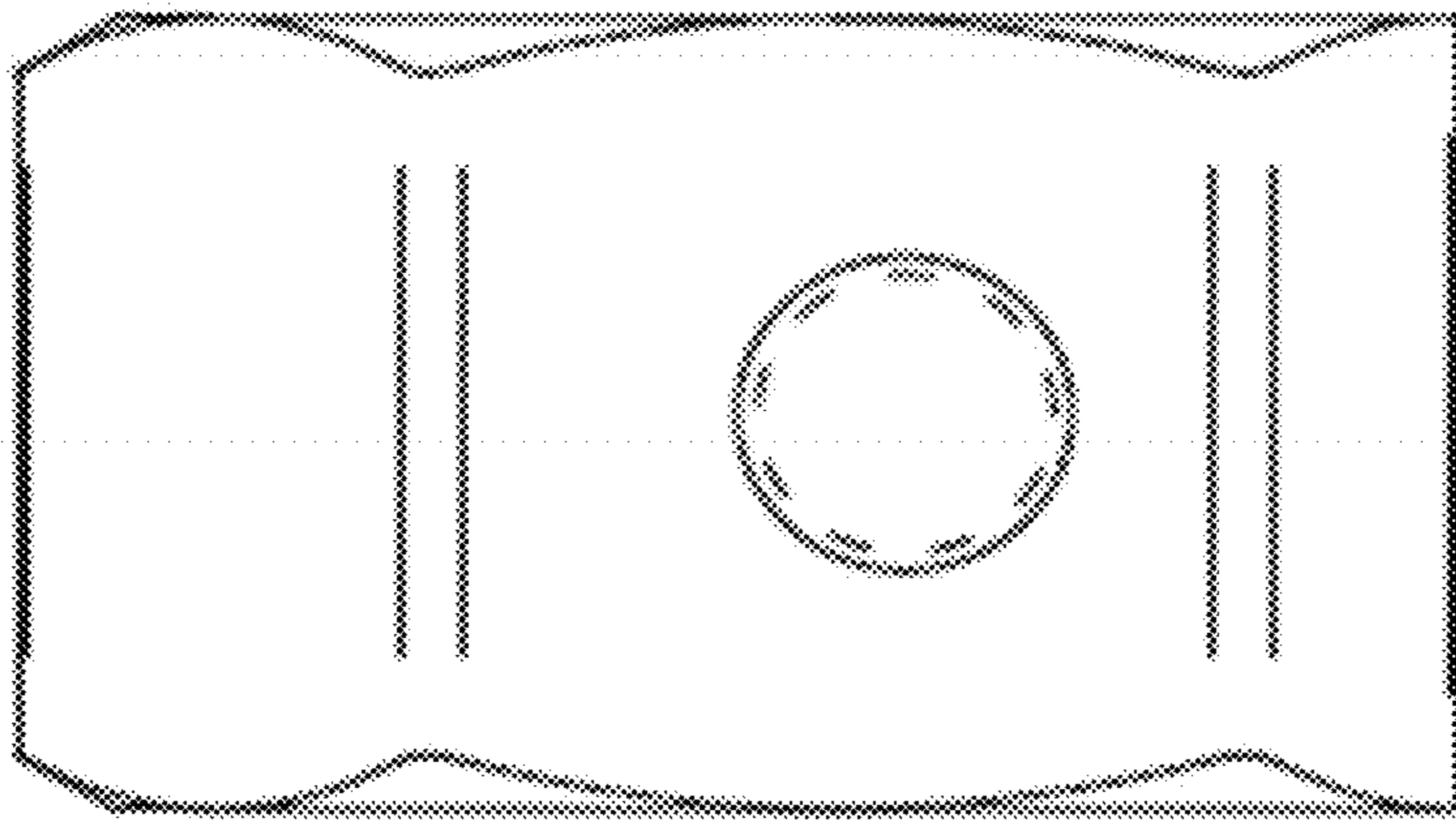


FIG. 5