



US00D825301S

(12) **United States Design Patent**
Stalter et al.

(10) **Patent No.:** **US D825,301 S**

(45) **Date of Patent:** **** Aug. 14, 2018**

(54) **SOCKET**

(71) Applicants: **Kenneth R. Stalter**, Pompano Beach, FL (US); **Kevin R. Stalter**, Cary, NC (US)

(72) Inventors: **Kenneth R. Stalter**, Pompano Beach, FL (US); **Kevin R. Stalter**, Cary, NC (US)

(**) Term: **15 Years**

(21) Appl. No.: **29/615,305**

(22) Filed: **Aug. 28, 2017**

Related U.S. Application Data

(63) Continuation of application No. 14/692,492, filed on Apr. 21, 2015, now abandoned.

(51) **LOC (11) Cl.** **08-05**

(52) **U.S. Cl.**
USPC **D8/29**

(58) **Field of Classification Search**
USPC D8/17, 21-29; 81/58, 58.2, 119, 124.2, 81/124.4, 125.1, 186
CPC B25B 13/02; B25B 13/08; B25B 13/04; B25B 13/065
See application file for complete search history.

(56) **References Cited**

U.S. PATENT DOCUMENTS

4,058,031 A * 11/1977 Magarian B25B 13/50
285/38
5,367,925 A * 11/1994 Gasparre A01G 25/00
81/121.1

5,572,912 A * 11/1996 Gasparre B25B 13/06
81/121.1
D628,868 S * 12/2010 Laurie D8/29
D630,920 S * 1/2011 Smith D8/29
D718,586 S * 12/2014 Jiang D8/25

* cited by examiner

Primary Examiner — Randall H Gholson

(74) *Attorney, Agent, or Firm* — H. John Rizvi; Gold & Rizvi, P.A.

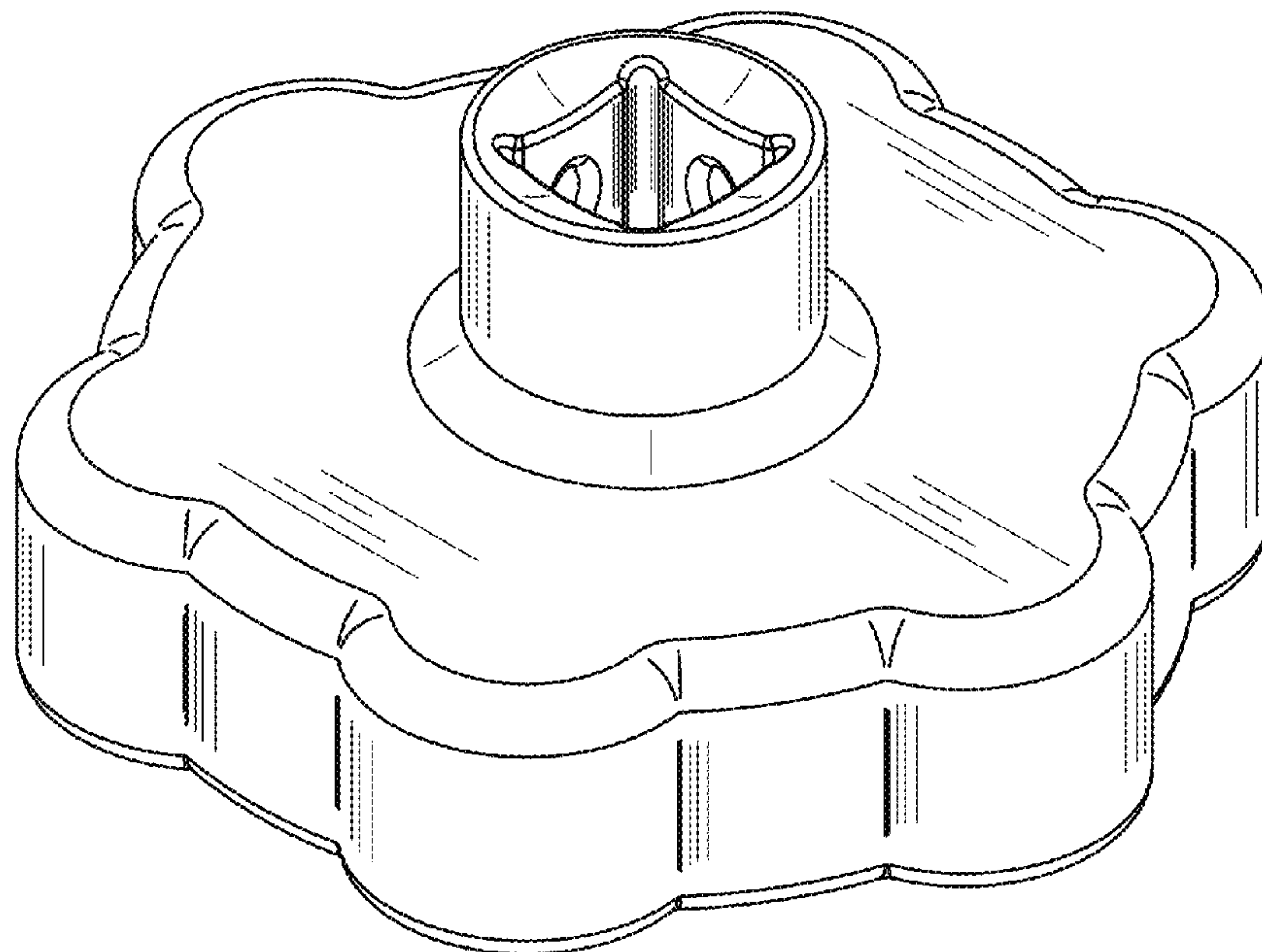
(57) **CLAIM**

We claim the ornamental design for a socket, as shown and described.

DESCRIPTION

FIG. 1 is a top isometric view of a socket showing our new design;
FIG. 2 is a bottom isometric view thereof;
FIG. 3 is a front elevation view thereof;
FIG. 4 is a right side elevation view thereof;
FIG. 5 is a top plan view thereof; and,
FIG. 6 is a bottom plan view thereof.
A design rear elevation view has been omitted, as it is a mirror image of the front elevation view of FIG. 3.
A design left side elevation view has been omitted, as it is a mirror image of the right side elevation view of FIG. 4.

1 Claim, 6 Drawing Sheets



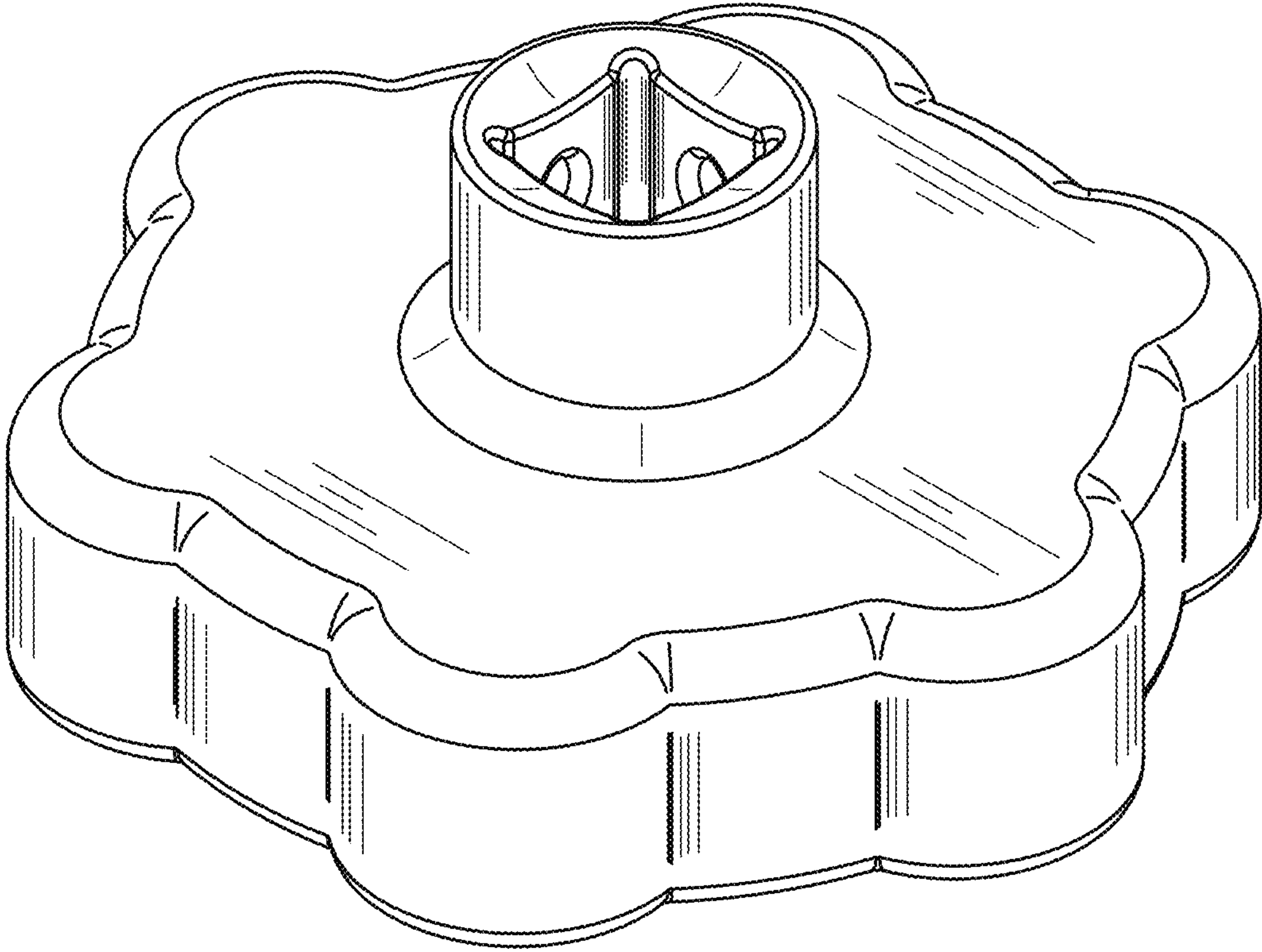


FIG. 1

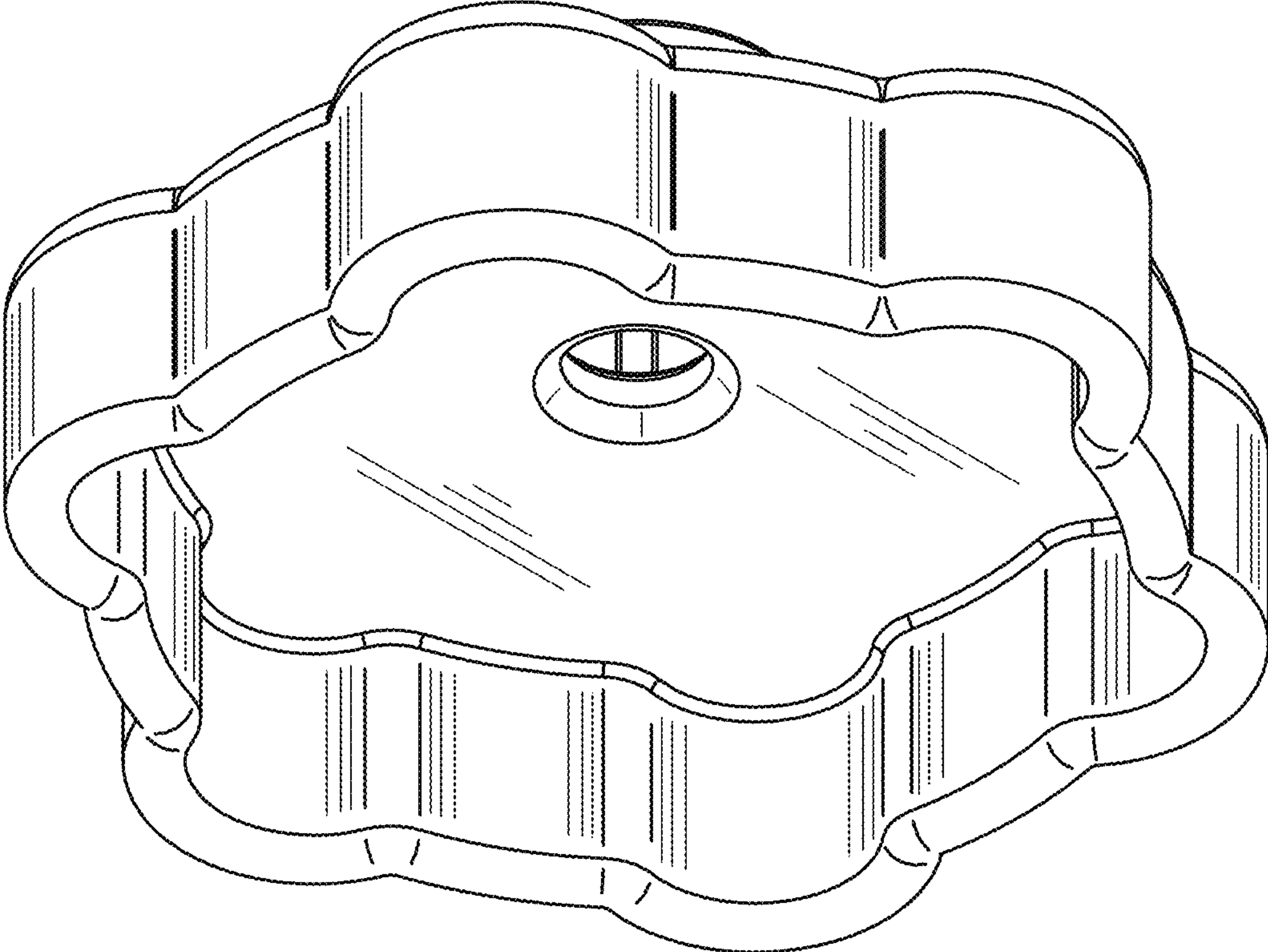


FIG. 2

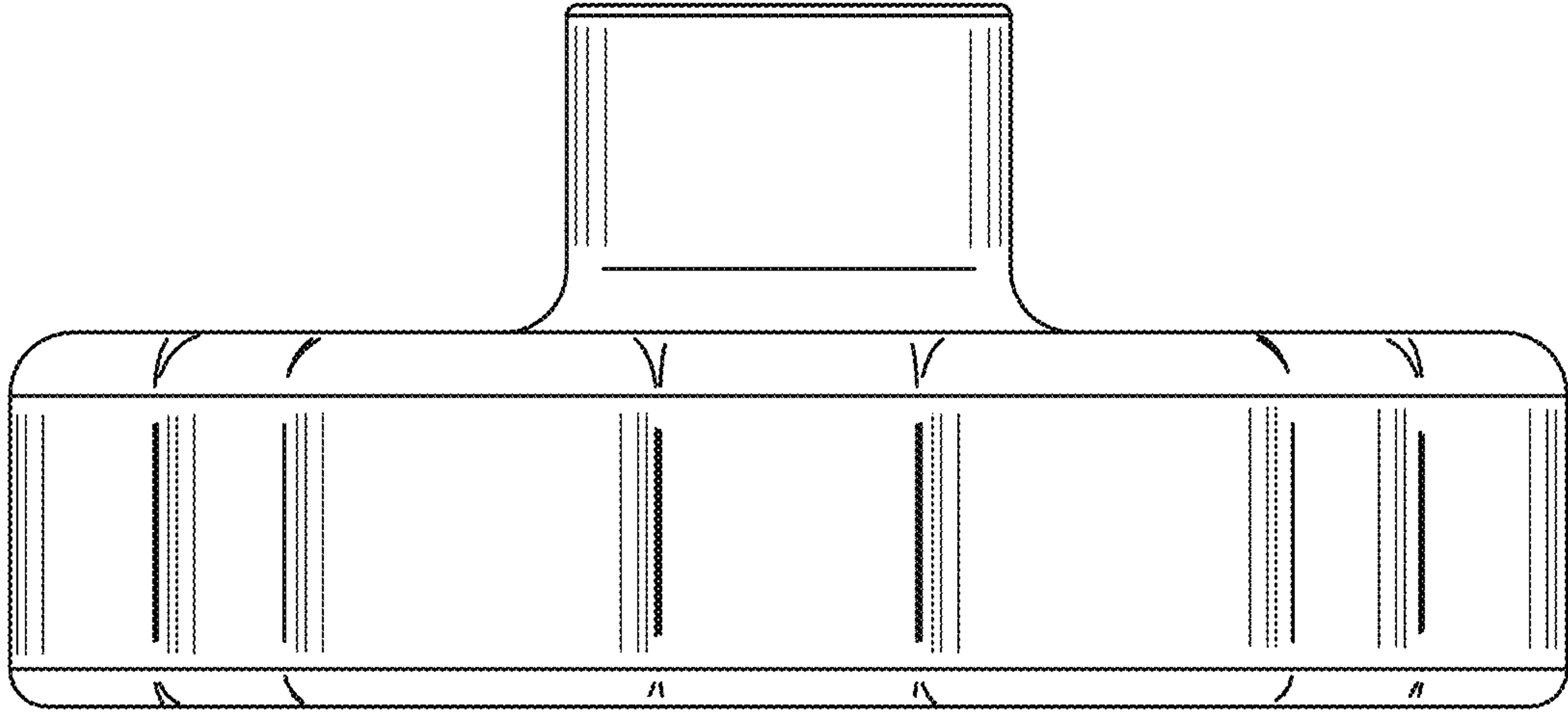


FIG. 3

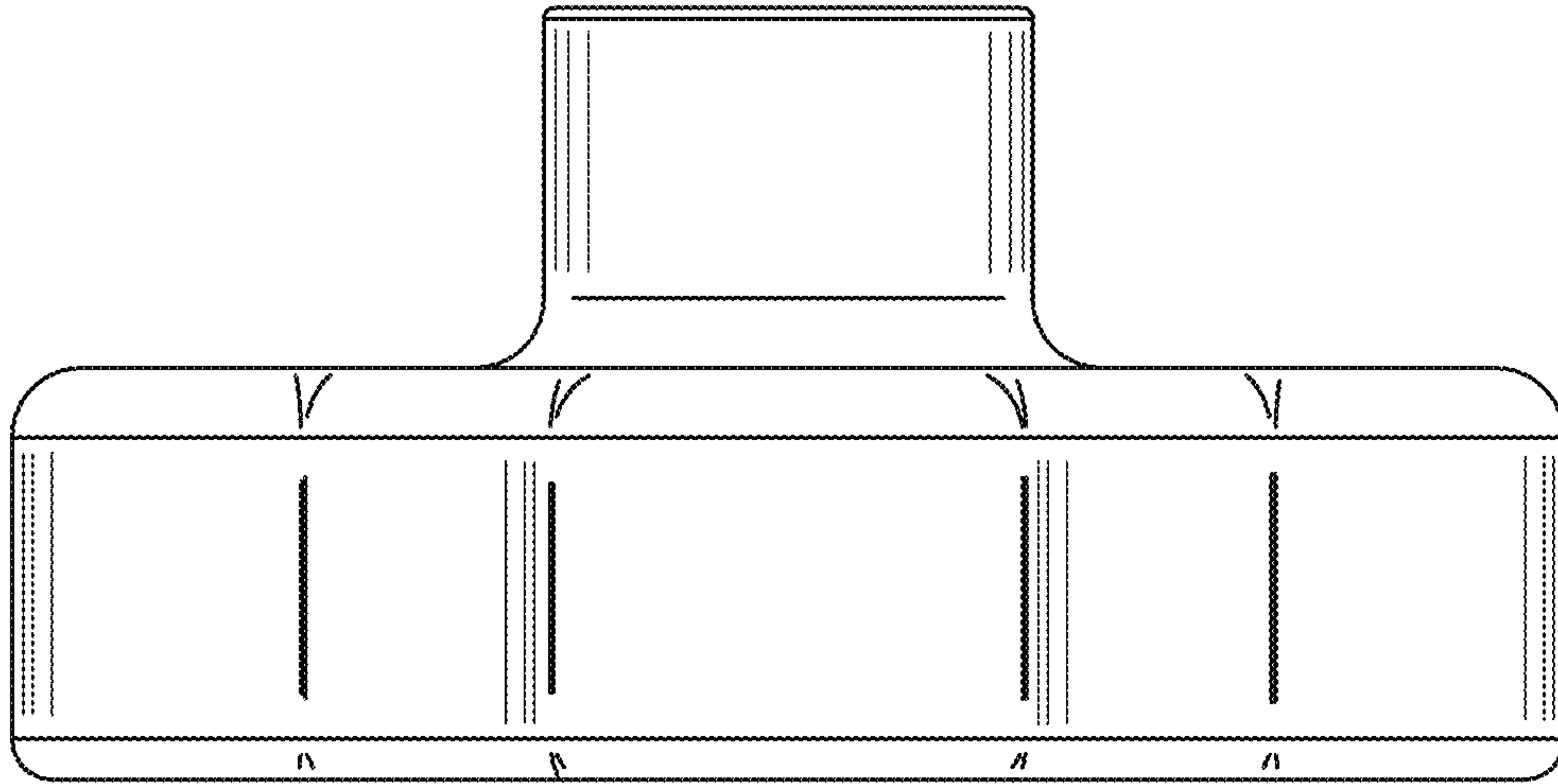


FIG. 4

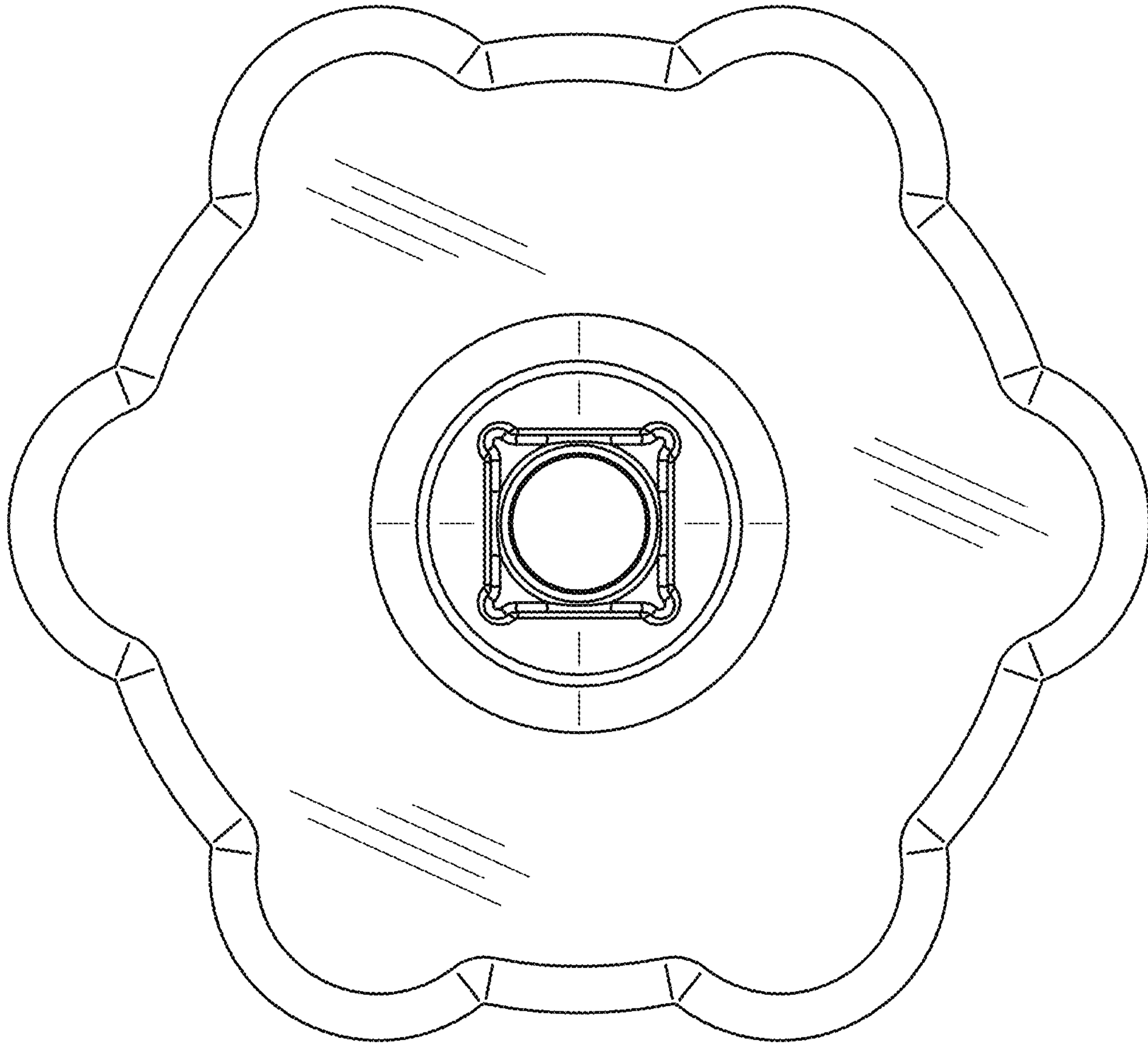


FIG. 5

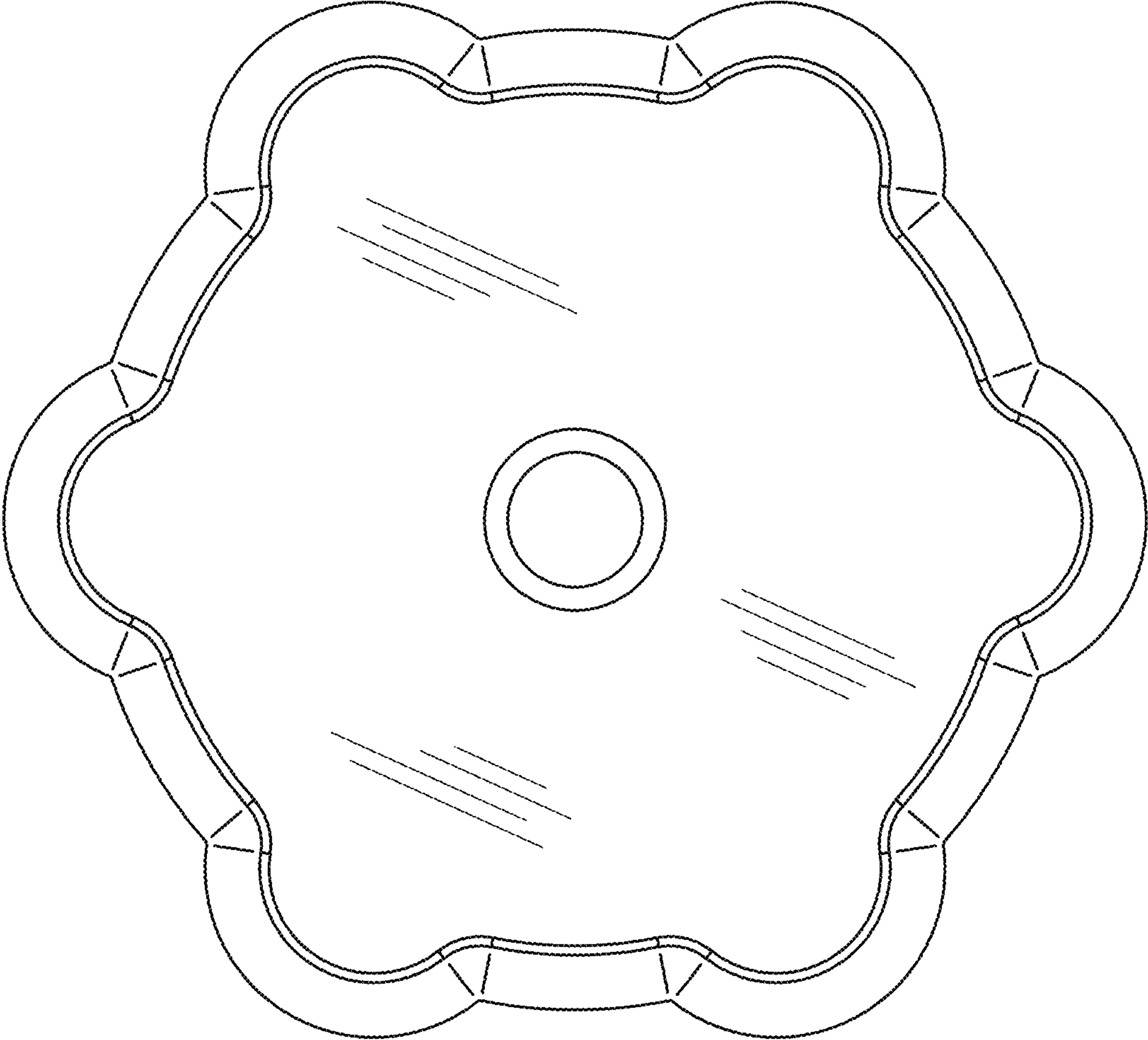


FIG. 6