



US00D825299S

(12) **United States Design Patent**  
**Stalter et al.**

(10) **Patent No.:** **US D825,299 S**

(45) **Date of Patent:** **\*\* Aug. 14, 2018**

(54) **SOCKET**

(71) Applicants: **Kenneth R. Stalter**, Pompano Beach, FL (US); **Kevin R. Stalter**, Cary, NC (US)

(72) Inventors: **Kenneth R. Stalter**, Pompano Beach, FL (US); **Kevin R. Stalter**, Cary, NC (US)

(\*\*) Term: **15 Years**

(21) Appl. No.: **29/615,311**

(22) Filed: **Aug. 28, 2017**

**Related U.S. Application Data**

(63) Continuation of application No. 14/692,492, filed on Apr. 21, 2015, now abandoned.

(51) **LOC (11) Cl.** ..... **08-05**

(52) **U.S. Cl.**  
USPC ..... **D8/21; D8/29**

(58) **Field of Classification Search**  
USPC ..... D8/21–29, 44, 81–87, 102–107, 98, 99, D8/55, 93, 94; 81/60–63.2, 177.1, 81/177.85, 177.8, 489, 125.1, 121.1, 81/119–120, 176.1, 186, 177.9, 185.1, 81/176.2, 165, 170, 3.35, 58, 3.345, 155; 206/378; 16/429, 441, 124.6; 7/100, 7/138, 168, 157; D24/146  
CPC ..... B25B 13/48; B25B 13/02; B25B 13/04  
See application file for complete search history.

(56) **References Cited**

**U.S. PATENT DOCUMENTS**

4,823,650 A \* 4/1989 Tuttle ..... B25B 13/5091  
81/124.2  
D303,342 S \* 9/1989 Katz ..... D8/29

D366,996 S \* 2/1996 Torres ..... D17/22  
D371,298 S \* 7/1996 Reddy ..... D15/140  
5,862,721 A \* 1/1999 Kowats ..... B25B 13/48  
81/121.1  
D415,664 S \* 10/1999 Rapoport ..... D8/21  
D432,880 S \* 10/2000 Rice ..... D8/29  
7,024,968 B2 \* 4/2006 Raudabough ..... A61M 5/347  
81/121.1  
D551,043 S \* 9/2007 Estrada ..... D8/29  
7,365,270 B2 \* 4/2008 Michaud ..... H01R 4/12  
174/87  
D592,471 S \* 5/2009 Rosko ..... D8/28  
D760,565 S \* 7/2016 Tempelmeier ..... D8/21  
D771,453 S \* 11/2016 Liu ..... D8/25

\* cited by examiner

*Primary Examiner* — Randall H Gholson

(74) *Attorney, Agent, or Firm* — H. John Rizvi; Gold & Rizvi, P.A.

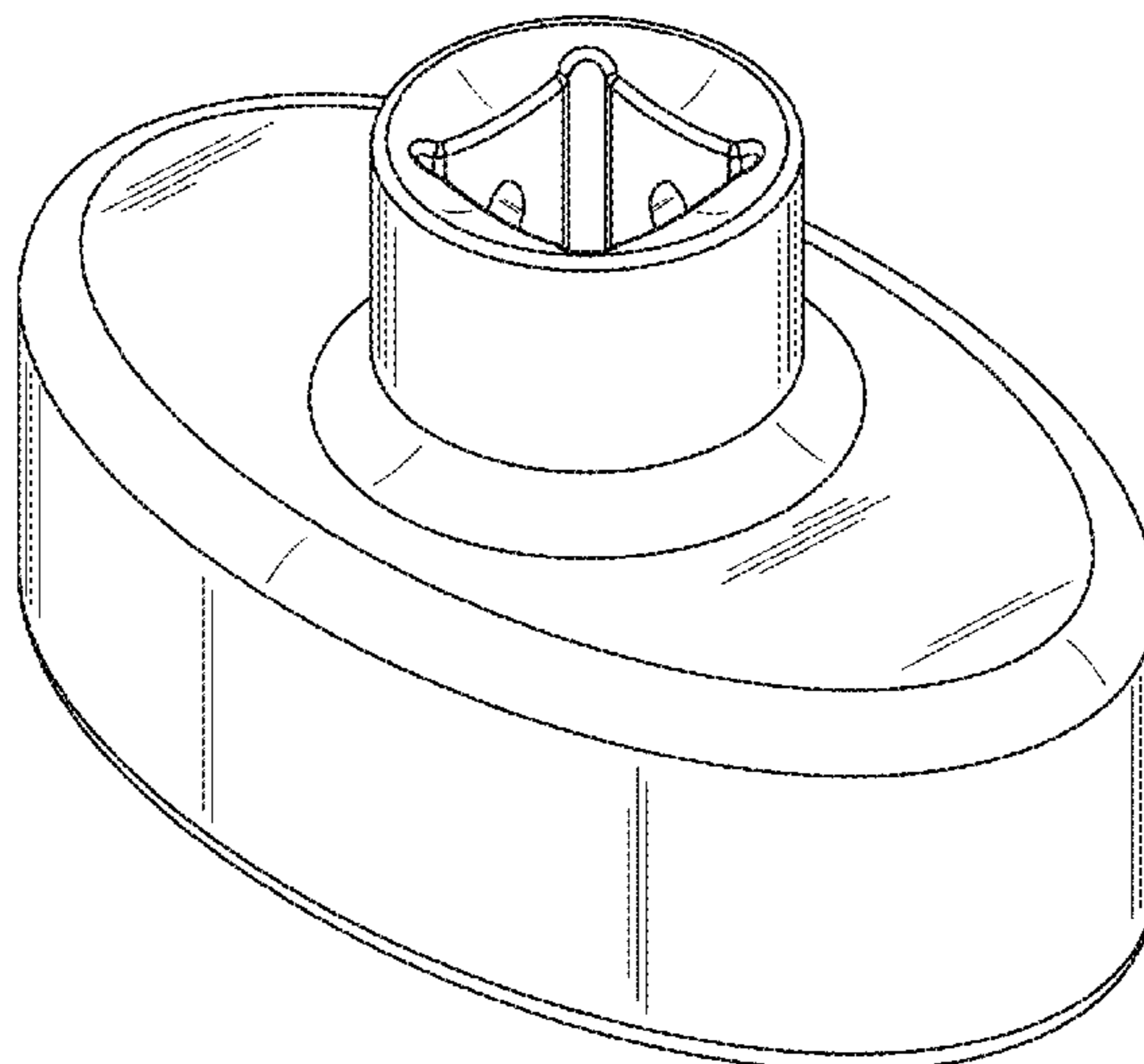
(57) **CLAIM**

We claim the ornamental design for a socket, as shown and described.

**DESCRIPTION**

FIG. 1 is a top isometric view of a socket showing our new design;  
FIG. 2 is a bottom isometric view thereof;  
FIG. 3 is a front elevation view thereof;  
FIG. 4 is a right side elevation view thereof;  
FIG. 5 is a top plan view thereof; and,  
FIG. 6 is a bottom plan view thereof.  
A design rear elevation view has been omitted, as it is a mirror image of the front elevation view of FIG. 3.  
A design left side elevation view has been omitted, as it is a mirror image of the right side elevation view of FIG. 4.

**1 Claim, 6 Drawing Sheets**



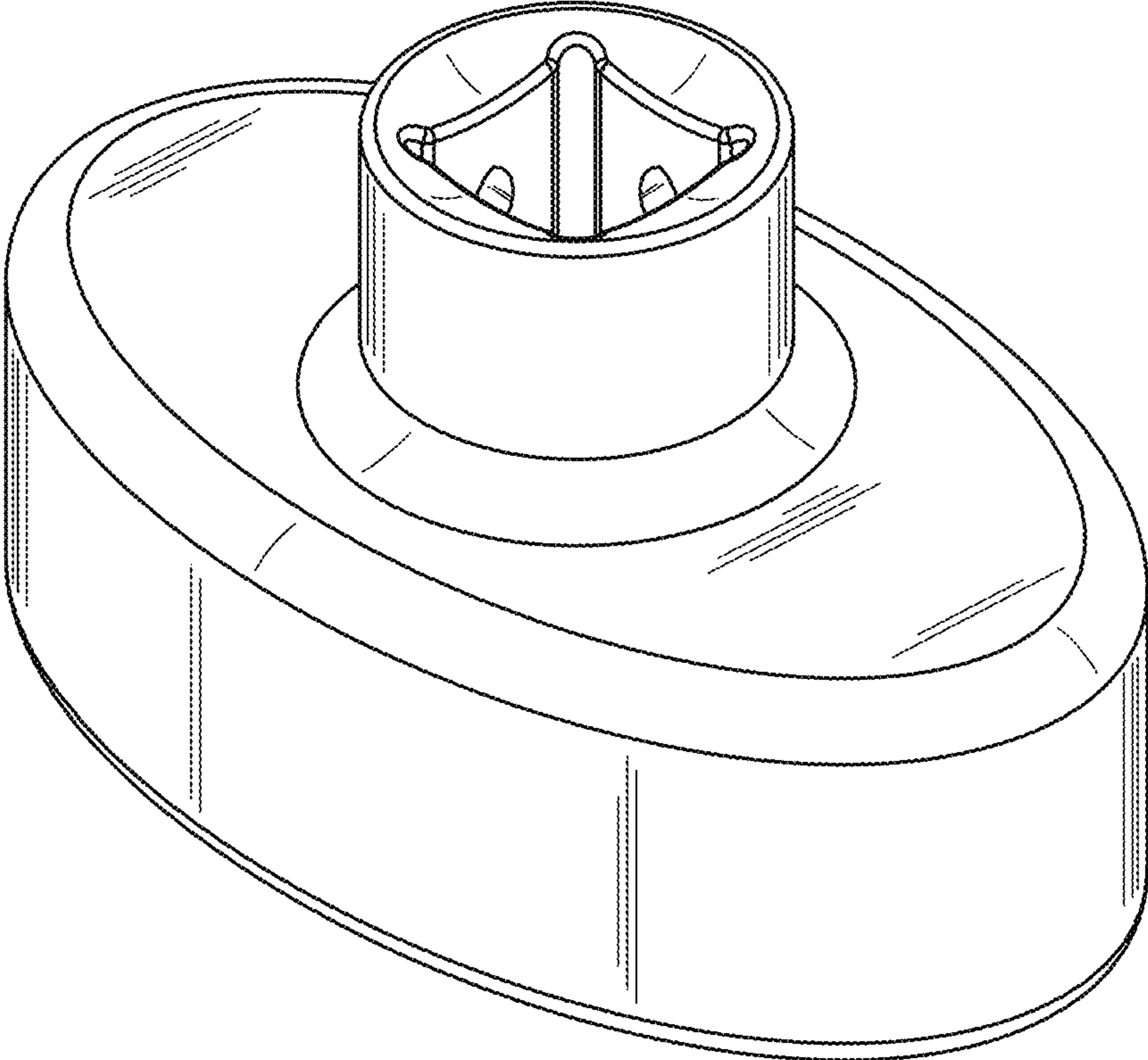


FIG. 1

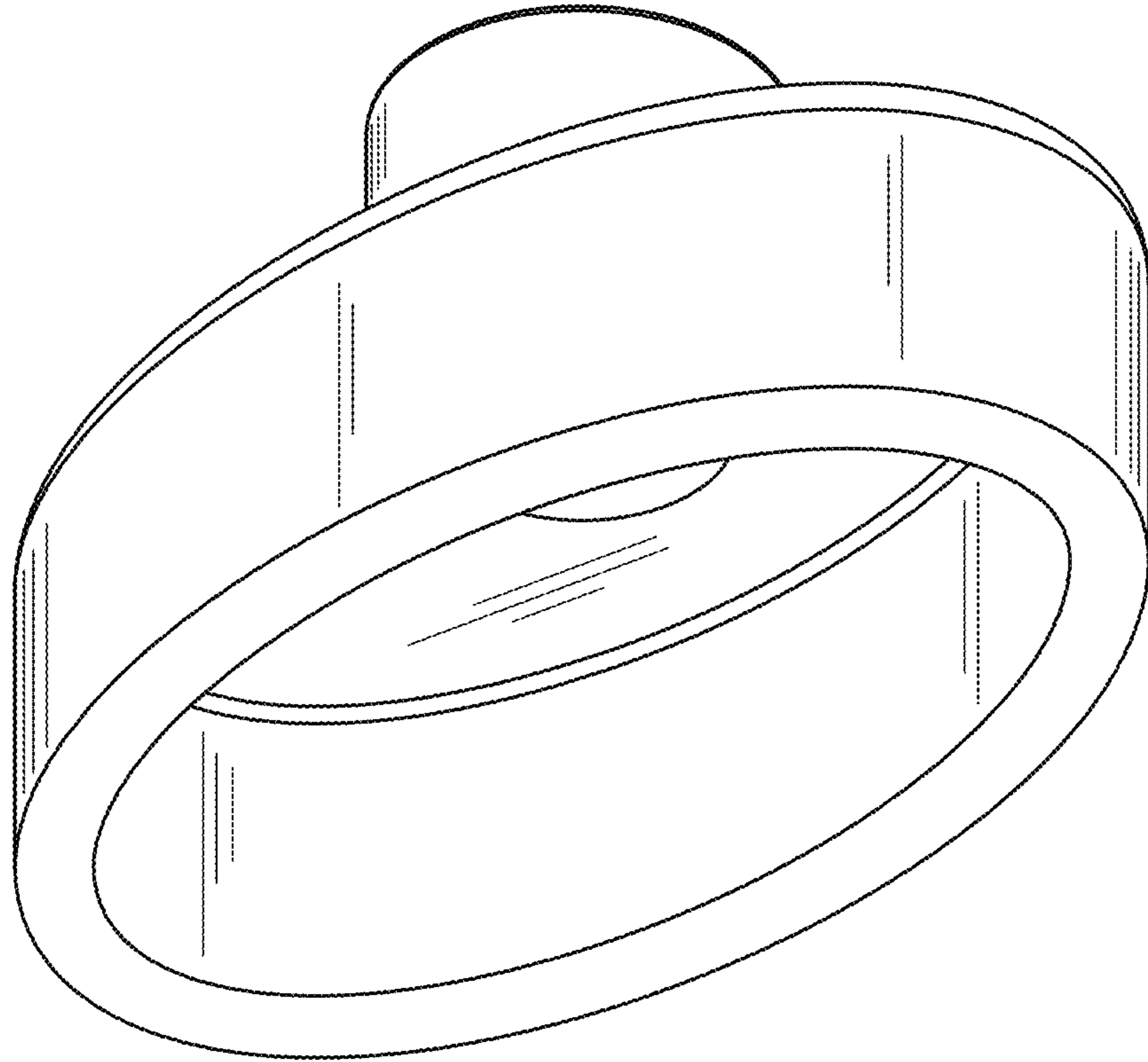


FIG. 2

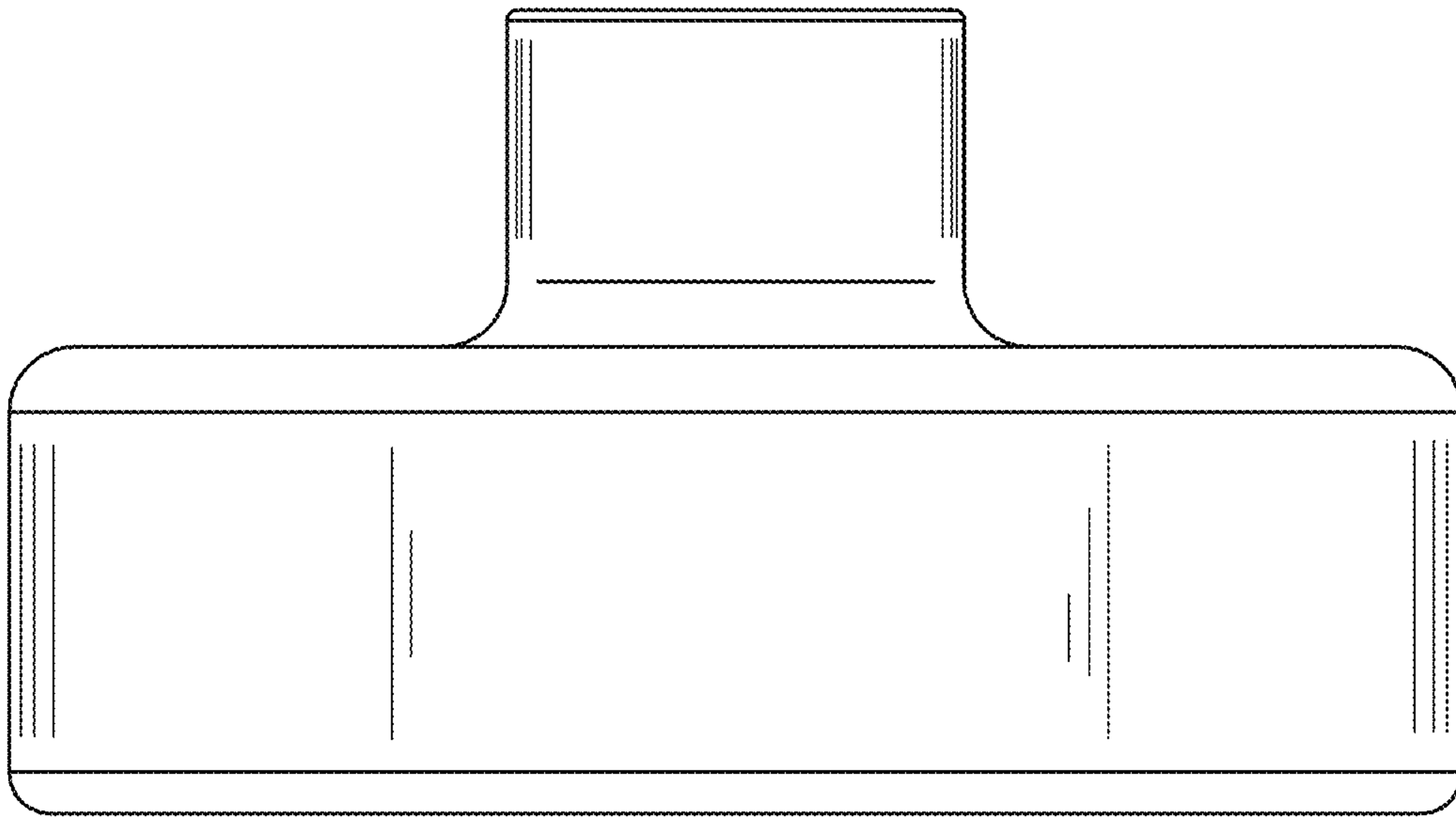


FIG. 3

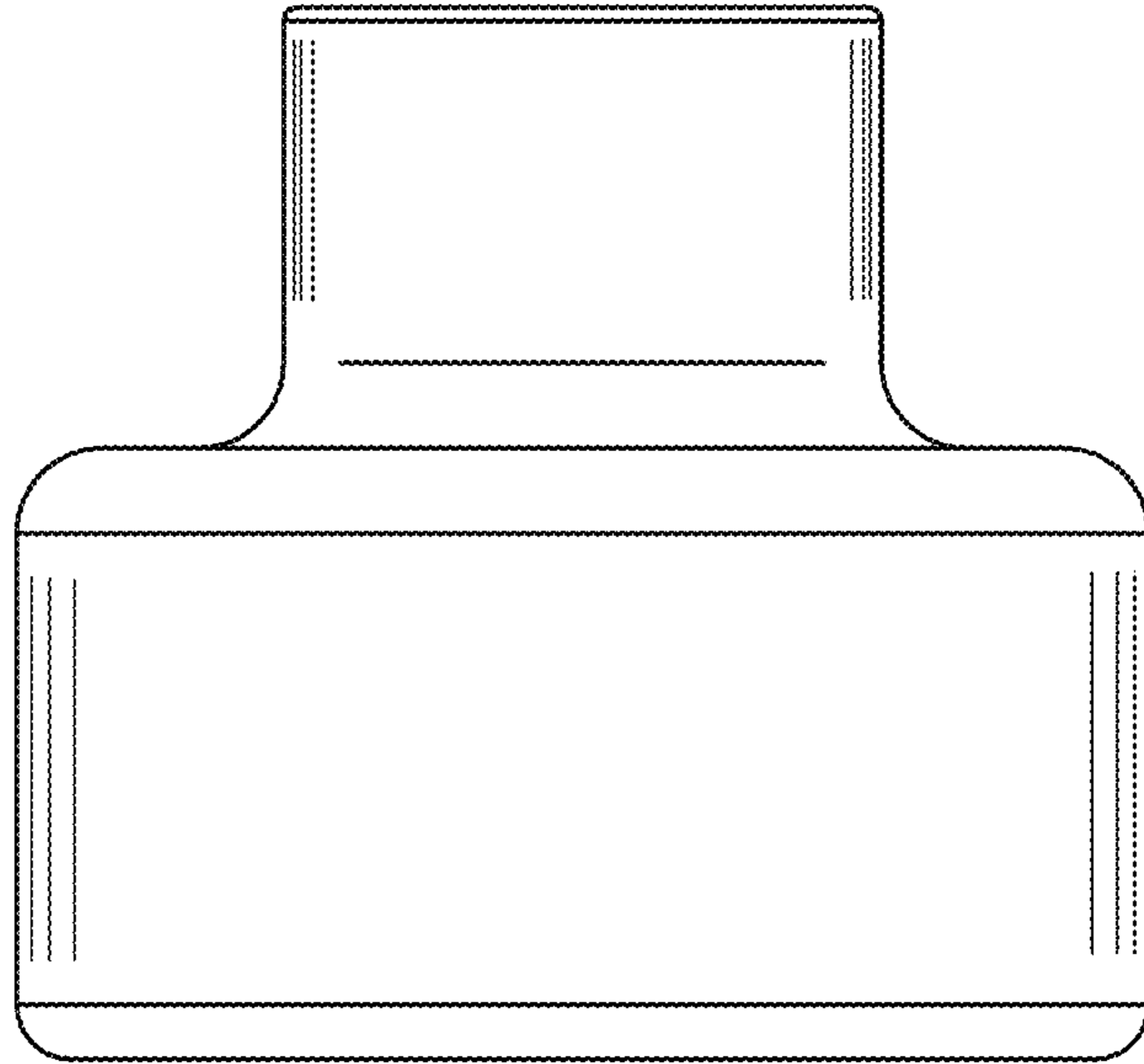


FIG. 4

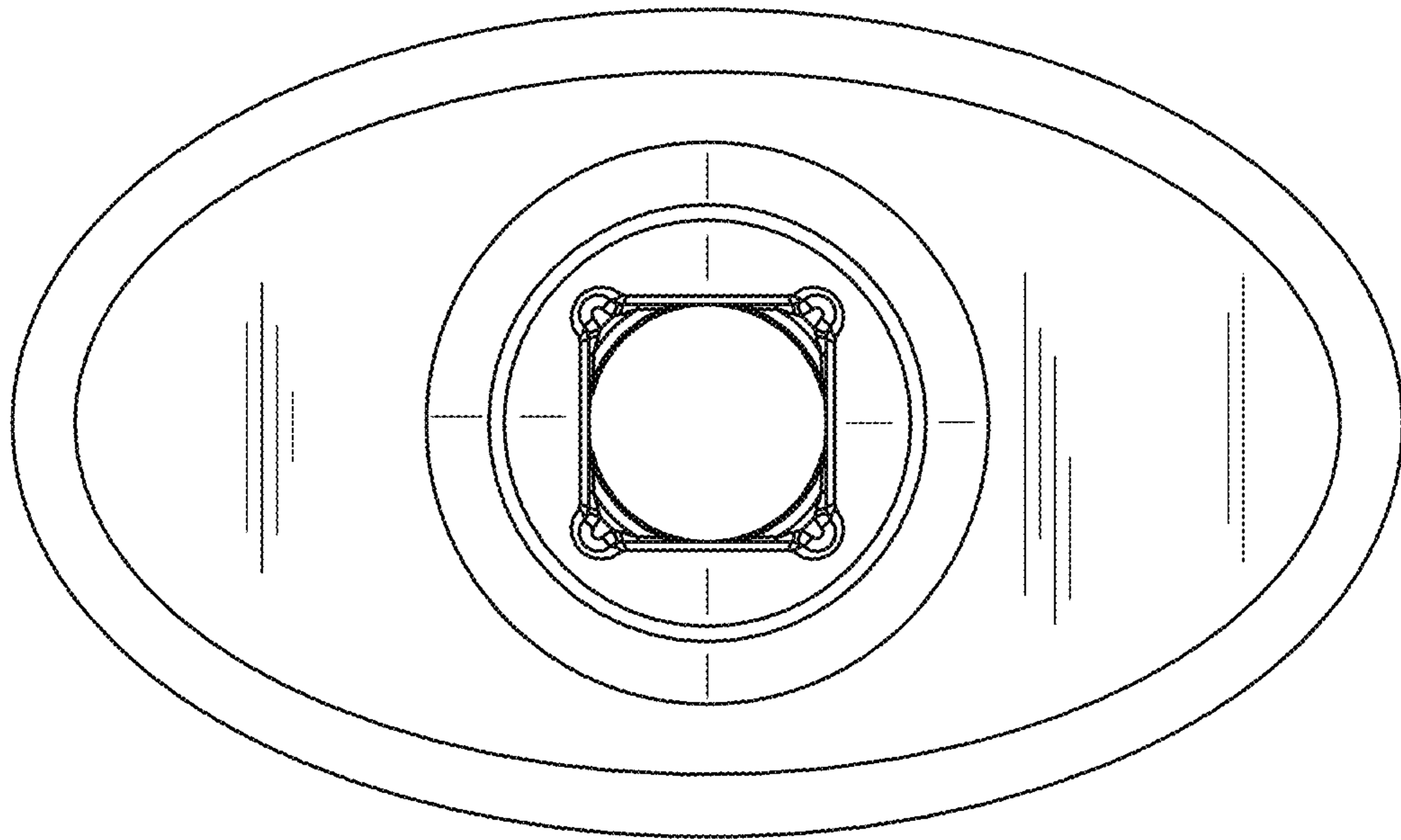


FIG. 5

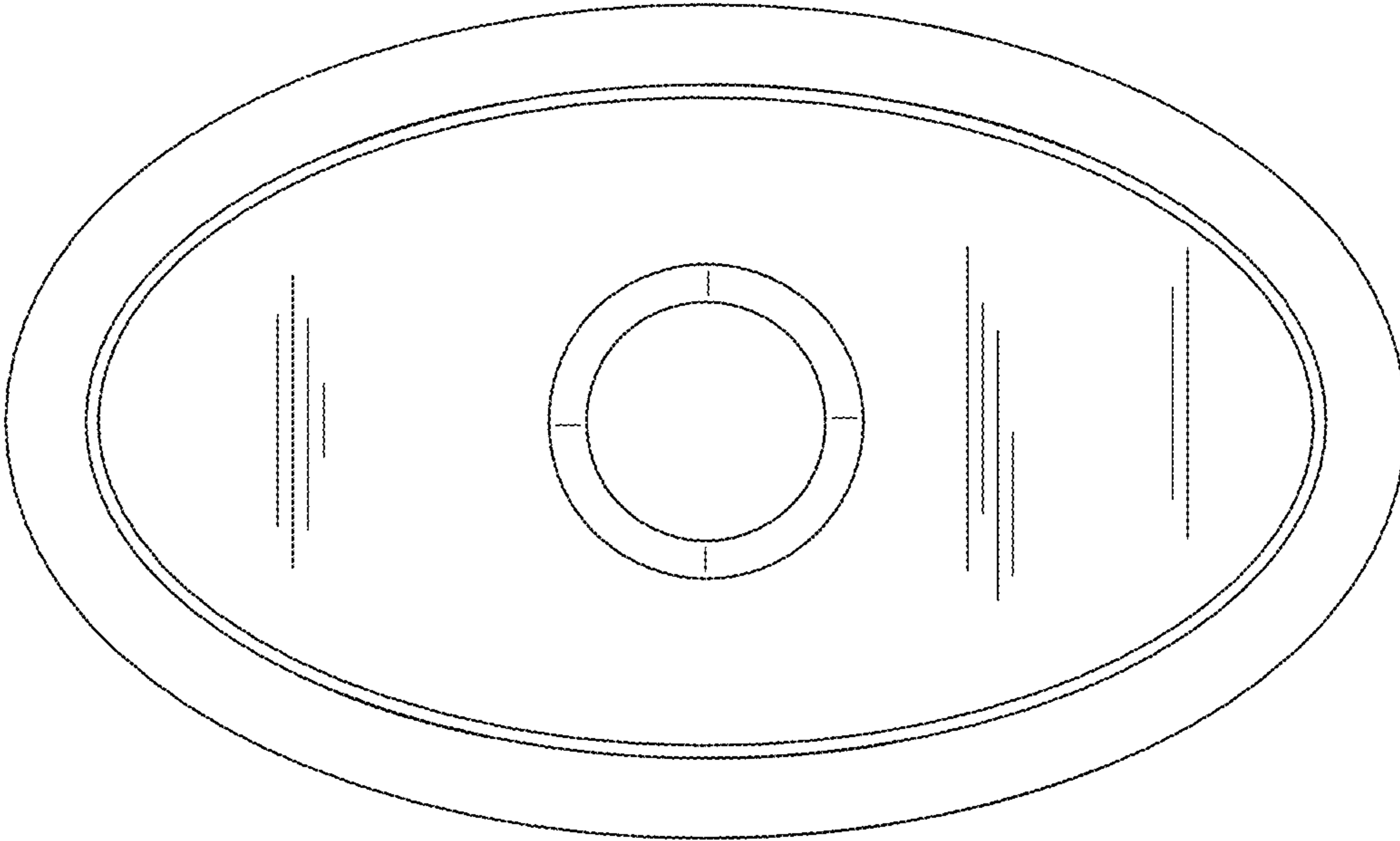


FIG. 6