



US00D825298S

(12) **United States Design Patent** (10) **Patent No.:** **US D825,298 S**
Stalter et al. (45) **Date of Patent:** **** Aug. 14, 2018**

(54) **SOCKET**

(71) Applicants: **Kenneth R. Stalter**, Pompano Beach, FL (US); **Kevin R. Stalter**, Cary, NC (US)

(72) Inventors: **Kenneth R. Stalter**, Pompano Beach, FL (US); **Kevin R. Stalter**, Cary, NC (US)

(**) Term: **15 Years**

(21) Appl. No.: **29/615,309**

(22) Filed: **Aug. 28, 2017**

(51) **LOC (11) Cl.** **08-05**

(52) **U.S. Cl.**
USPC **D8/21**

(58) **Field of Classification Search**
USPC D8/21-29, 44, 81-87, 102-107, 98, 99, D8/55, 93, 94; 81/60-63.2, 177.1, 81/177.85, 177.8, 489, 125.1, 121.1, 81/119-120, 176.1, 186, 177.9, 185.1, 81/176.2, 165, 170, 3.35, 58, 3.345, 155; 206/378; 16/429, 441, 124.6; 7/100, 7/138, 168, 157; D24/146
CPC B25B 13/48; B25B 13/02; B25B 13/04
See application file for complete search history.

(56) **References Cited**

U.S. PATENT DOCUMENTS

D366,996 S	*	2/1996	Torres	D17/22
D371,298 S	*	7/1996	Reddy	D15/140
D415,664 S	*	10/1999	Rapoport	D8/21
D760,565 S	*	7/2016	Tempelmeier	D8/21
D771,453 S	*	11/2016	Liu	D8/25

* cited by examiner

Primary Examiner — Randall H Gholson

(74) *Attorney, Agent, or Firm* — H. John Rizvi; Gold & Rizvi, P.A.

(57) **CLAIM**

We claim the ornamental design for a socket, as shown and described.

DESCRIPTION

FIG. 1 is a top isometric view of a socket showing our new design;

FIG. 2 is a bottom isometric view thereof;

FIG. 3 is a front elevation view thereof;

FIG. 4 is a rear elevation view thereof;

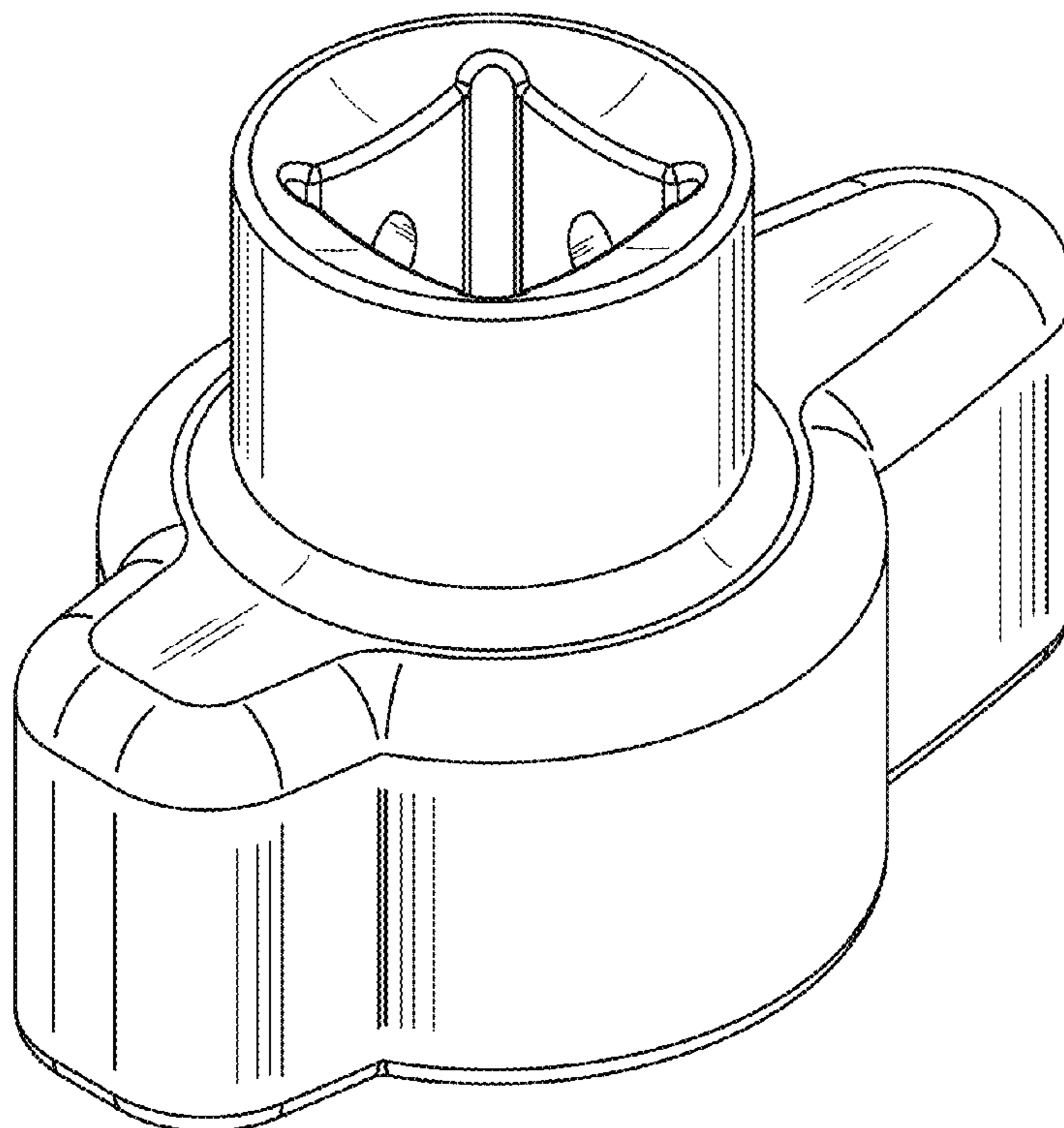
FIG. 5 is a right side elevation view thereof;

FIG. 6 is a left side elevation view thereof;

FIG. 7 is a top plan view thereof; and,

FIG. 8 is a bottom plan view thereof.

1 Claim, 8 Drawing Sheets



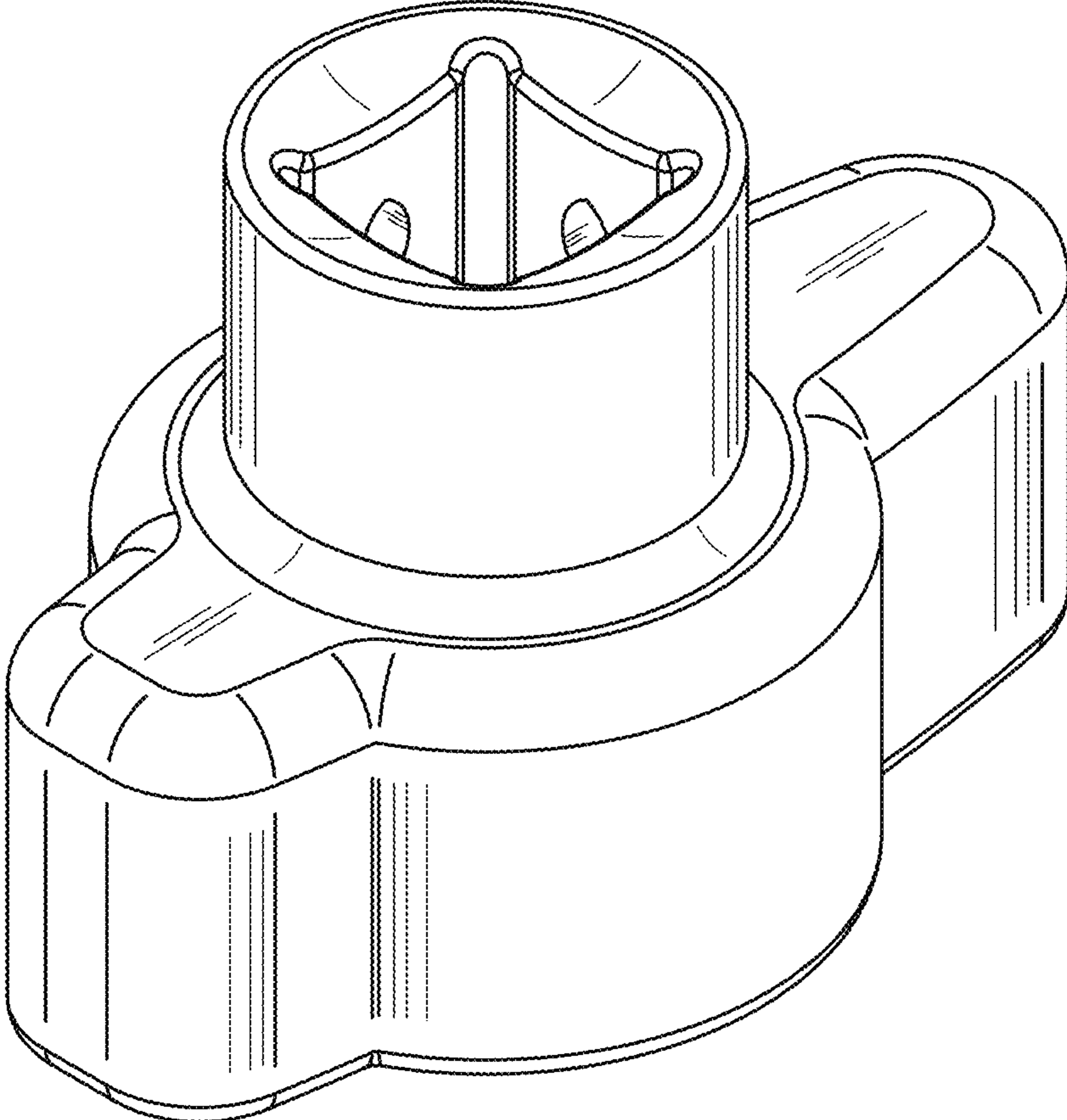


FIG. 1

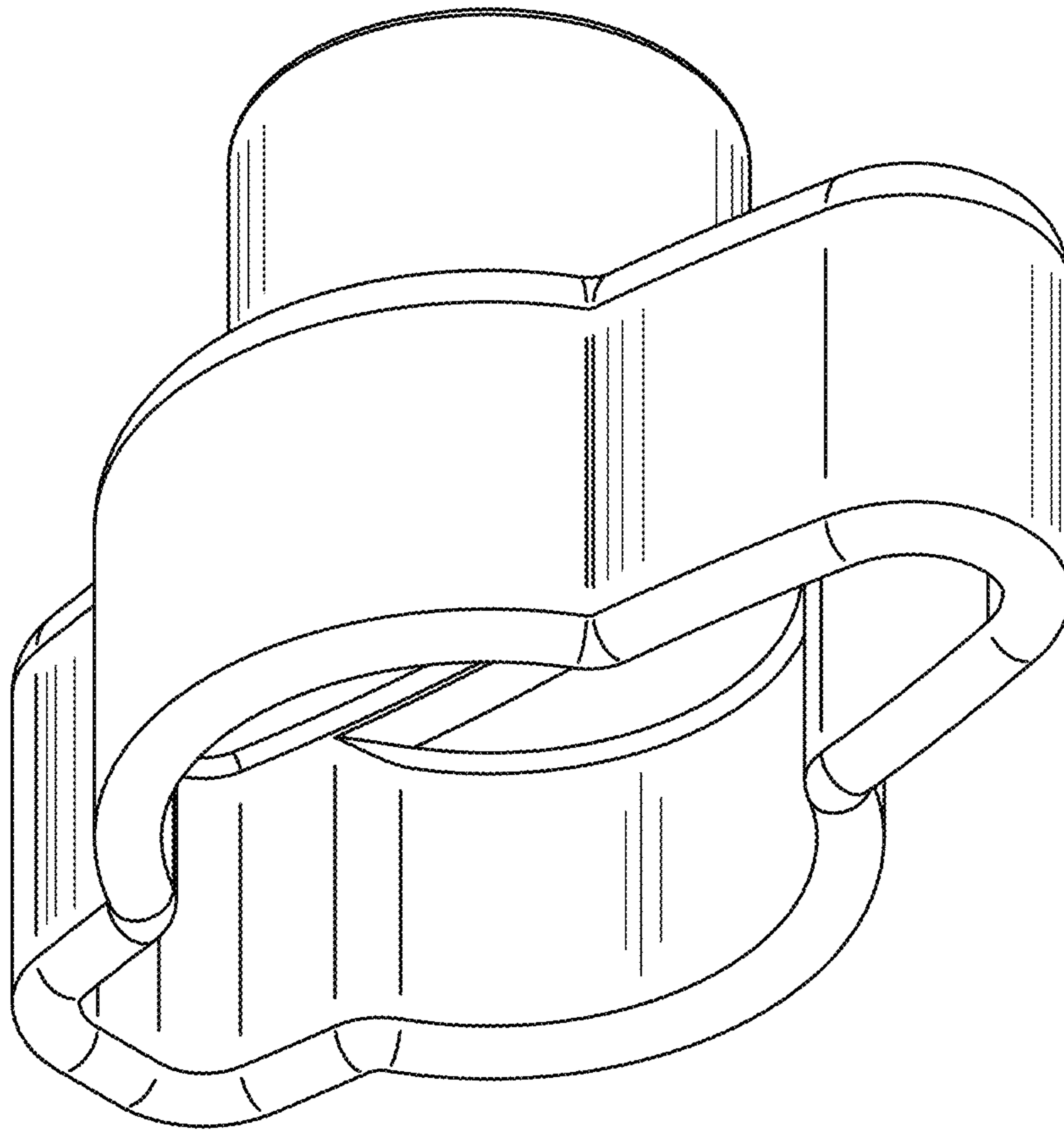


FIG. 2

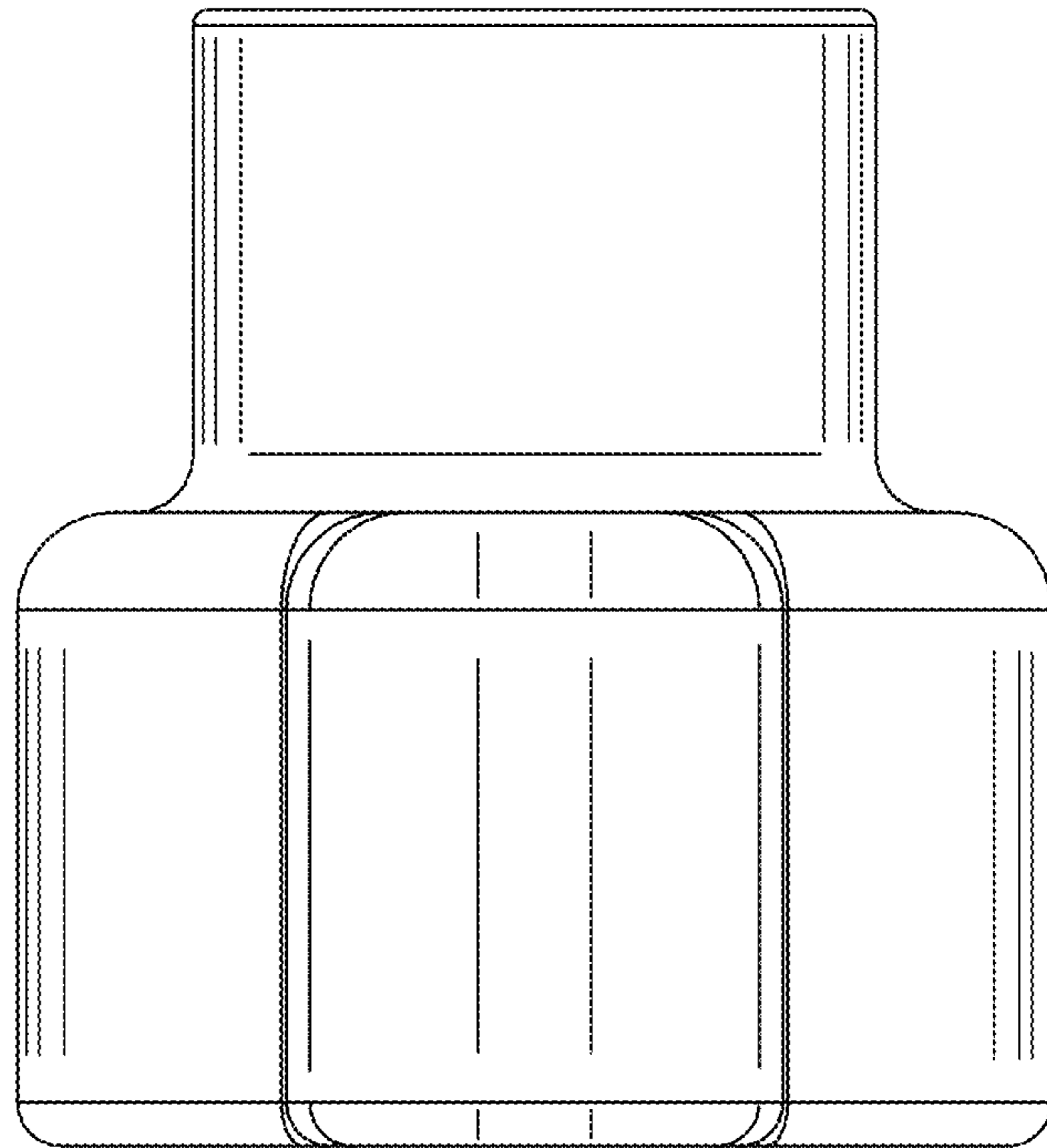


FIG. 3

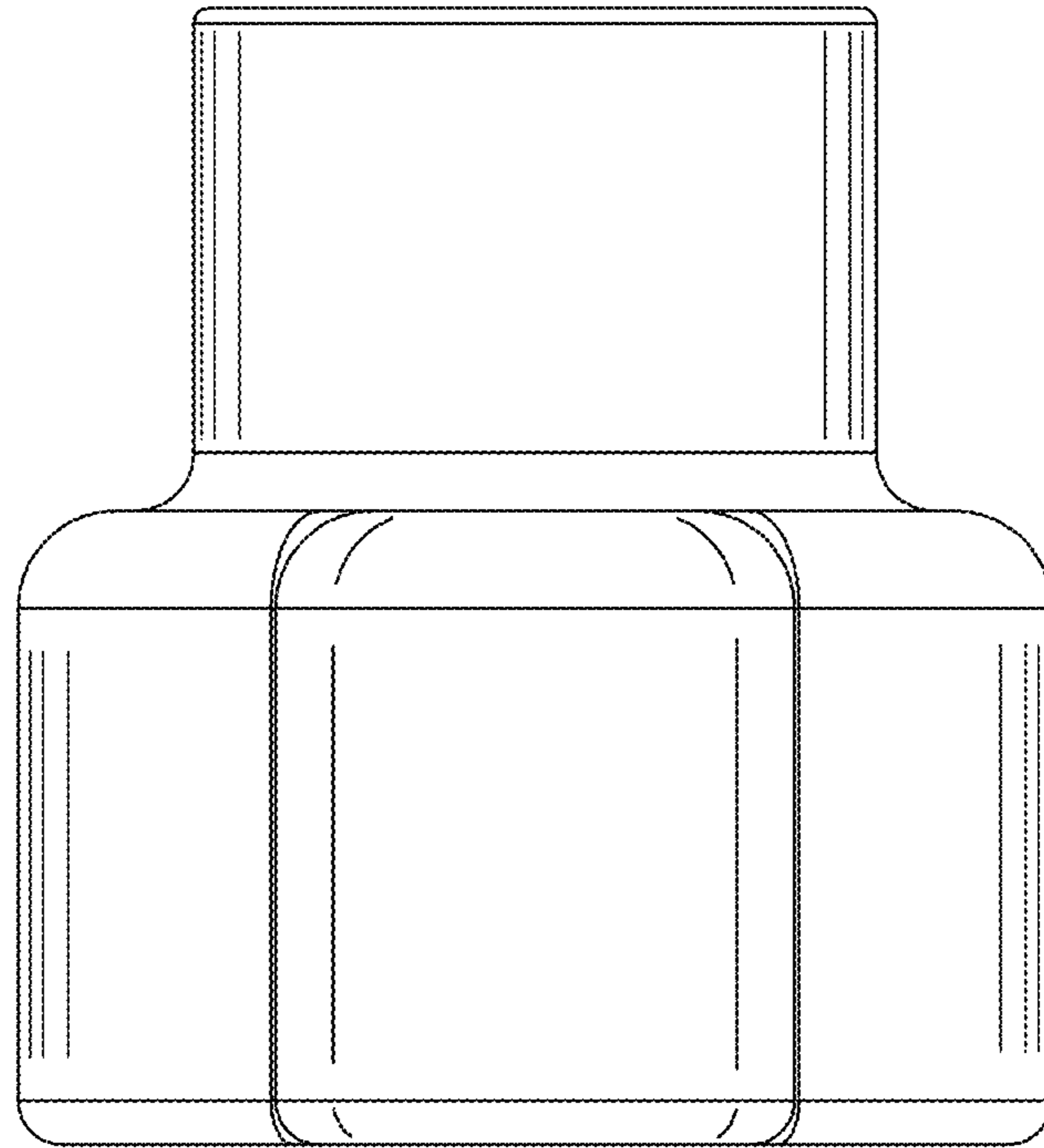


FIG. 4

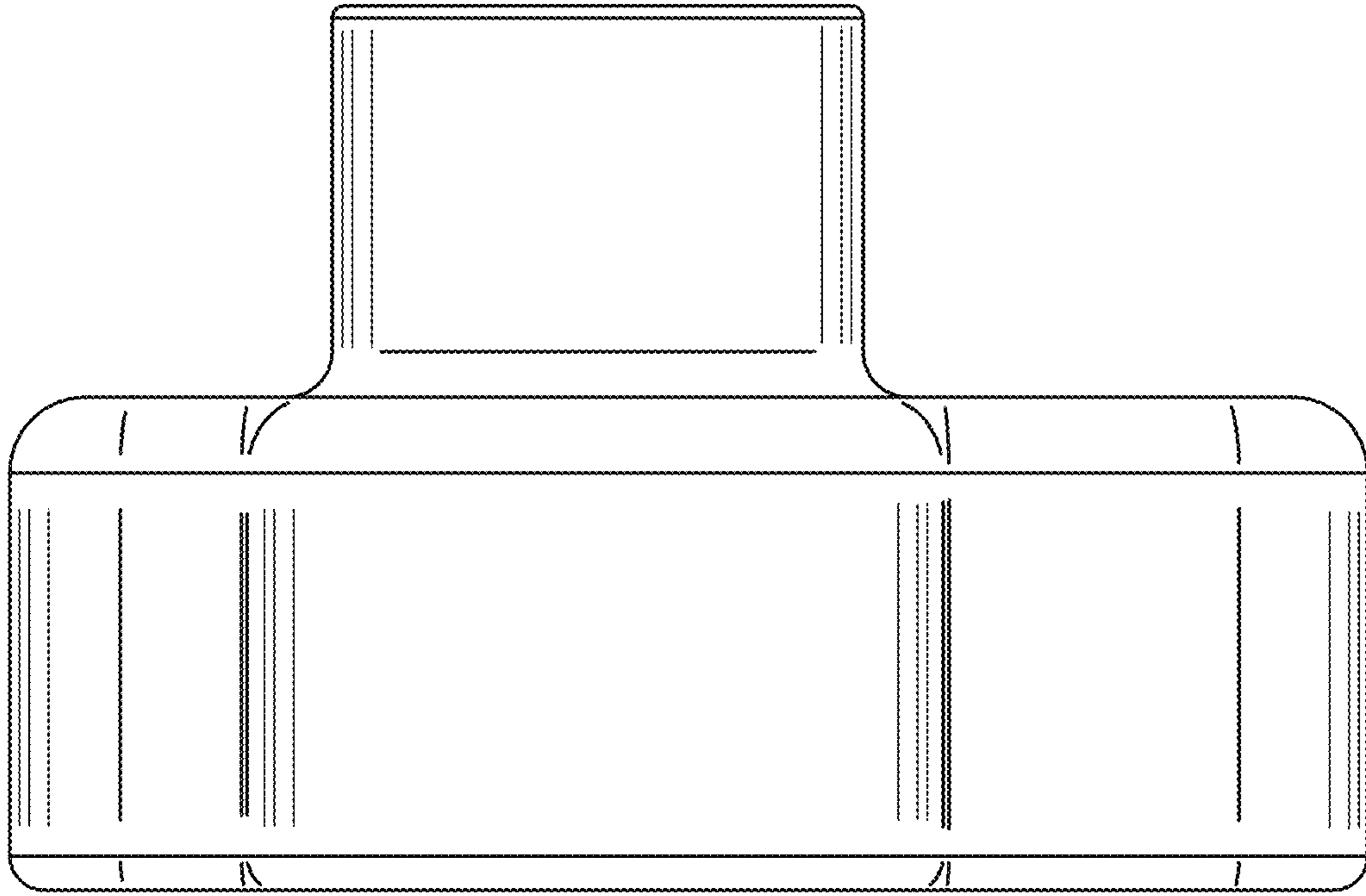


FIG. 5

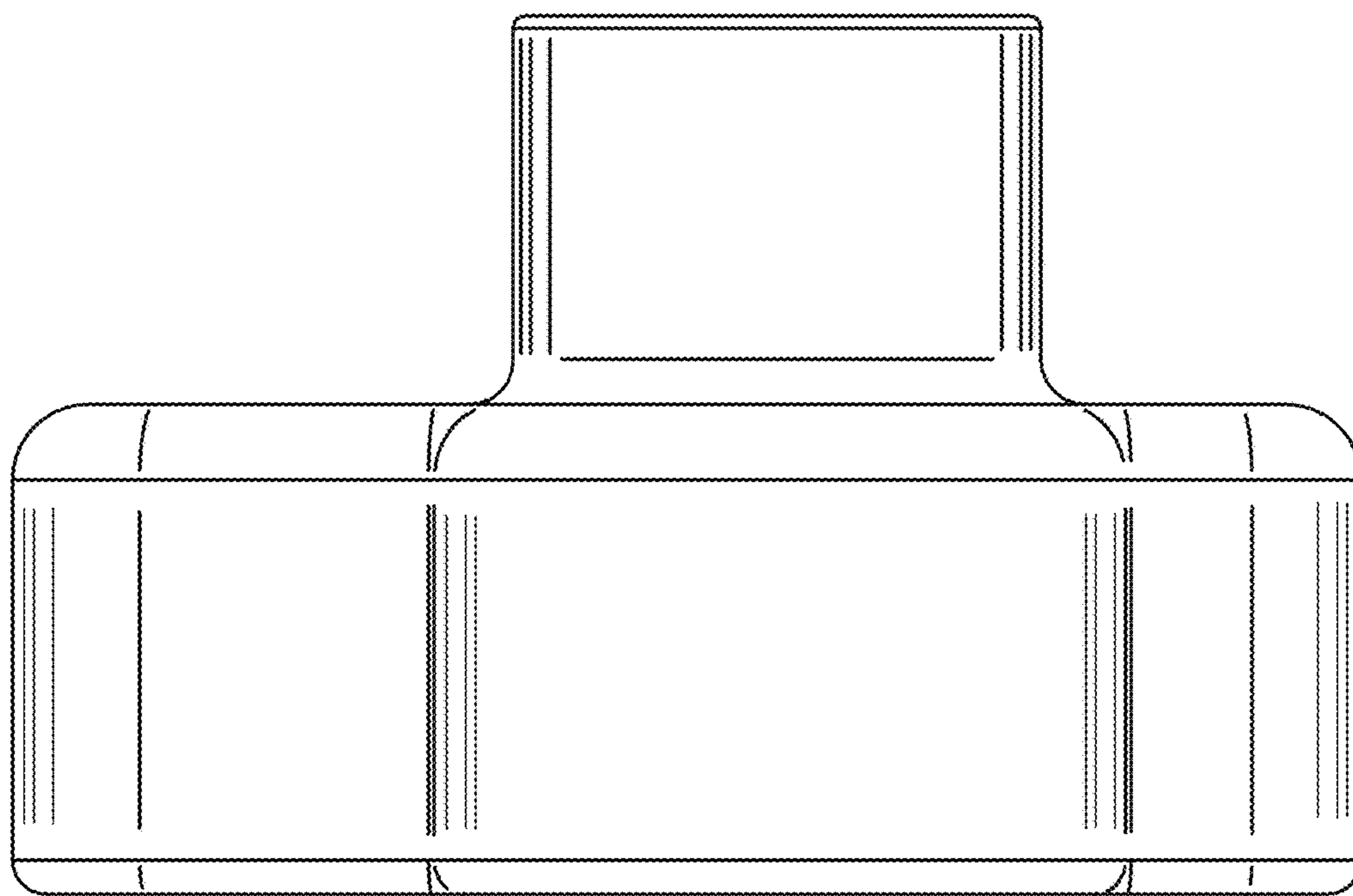


FIG. 6

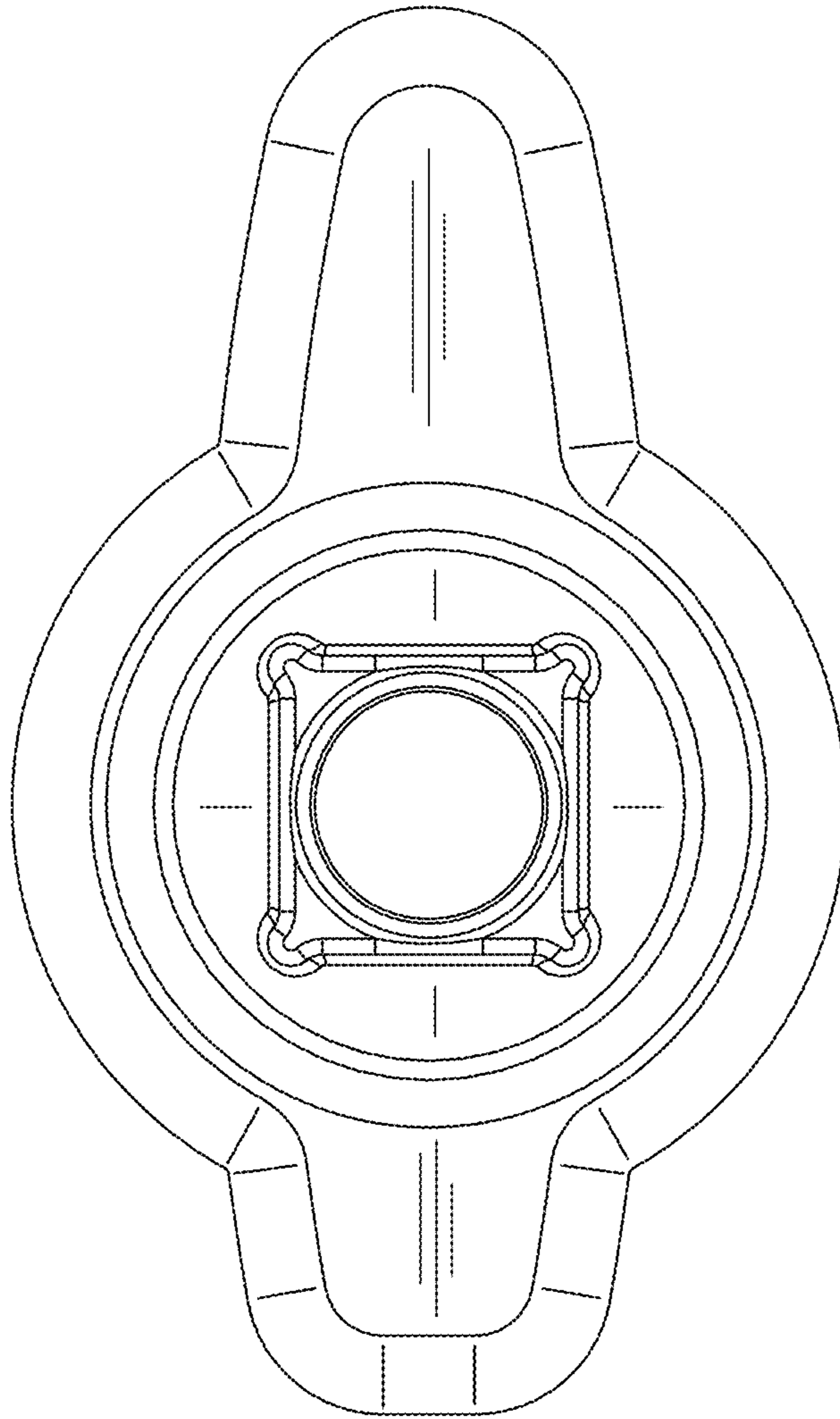


FIG. 7

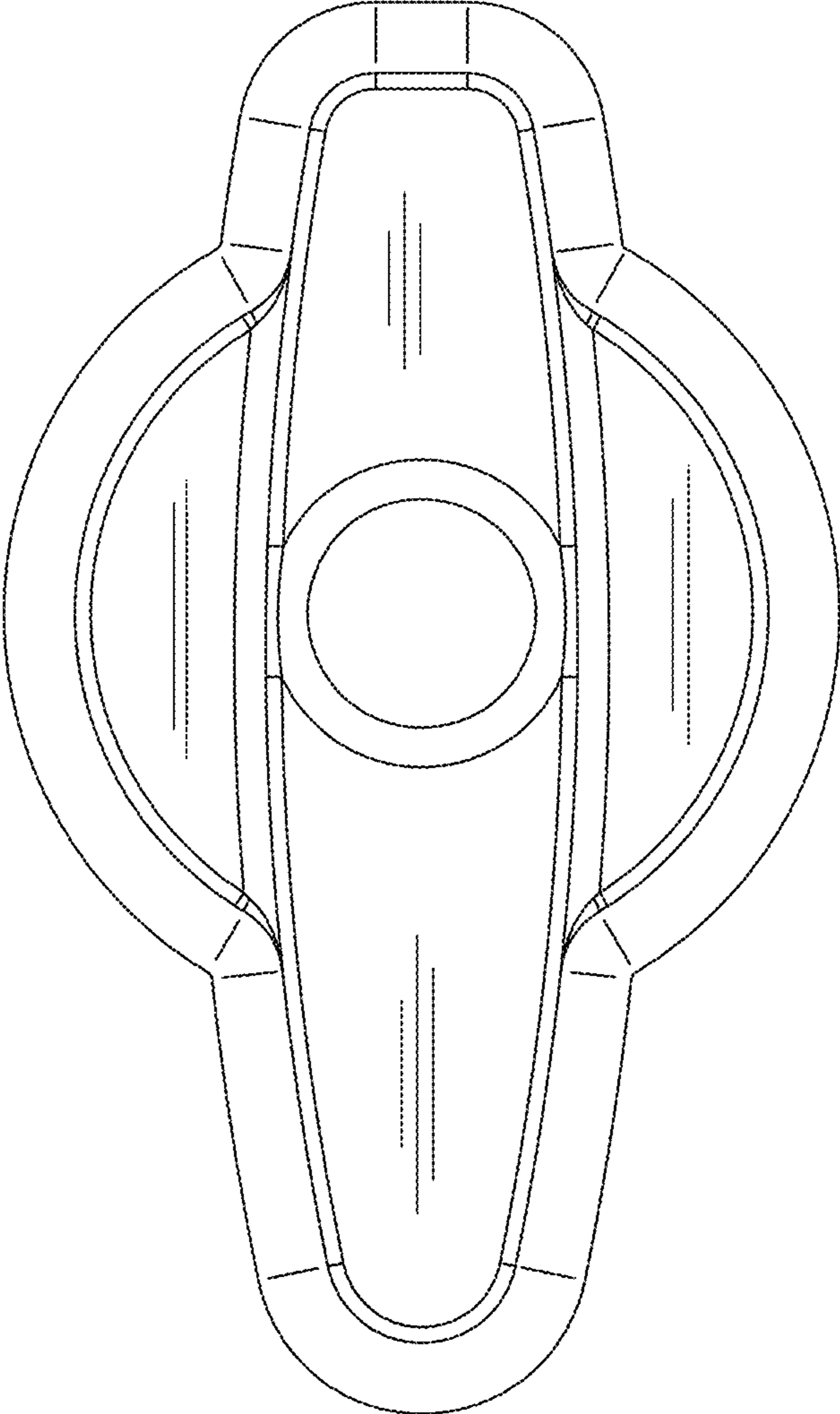


FIG. 8