



US00D825296S

(12) **United States Design Patent** (10) **Patent No.:** **US D825,296 S**
Ahearn (45) **Date of Patent:** **** Aug. 14, 2018**

(54) **GARDENING TOOL**
(71) Applicant: **Conor Mills Ahearn**, Grosse Point, MI (US)

5,890,259 A 4/1999 Sarac
5,937,627 A 8/1999 McKittrick
6,082,795 A 7/2000 Fornelli
6,435,284 B1 8/2002 Aman
(Continued)

(72) Inventor: **Conor Mills Ahearn**, Grosse Point, MI (US)

FOREIGN PATENT DOCUMENTS

(**) Term: **15 Years**

CN 104420488 A 3/2015
GB 2 183 433 A 6/1987
(Continued)

(21) Appl. No.: **29/619,565**

(22) Filed: **Sep. 29, 2017**

OTHER PUBLICATIONS

Related U.S. Application Data

Stone, "Exoskeletal Yard Tools," Tech Briefs, 6 pages, Dec. 17, 2015.
(Continued)

(62) Division of application No. 29/566,635, filed on Jun. 1, 2016, now Pat. No. Des. 807,716.

(51) **LOC (11) Cl.** **08-10**

Primary Examiner — Sandra S Snapp

(52) **U.S. Cl.**

Assistant Examiner — Ieisha N Price

USPC **D8/10**

(74) *Attorney, Agent, or Firm* — Sunstein Kann Murphy & Timbers LLP

(58) **Field of Classification Search**

USPC D8/1, 7, 10, 107; D21/532, 398
CPC A01B 1/00; A01B 1/02; A01B 1/22; A01B 1/022; A01B 15/02; A01B 1/026; B25G 1/00; B25G 1/102; Y10T 16/4713; Y10S 16/19
See application file for complete search history.

(57) **CLAIM**

The ornamental design for a gardening tool, as shown and described.

(56) **References Cited**

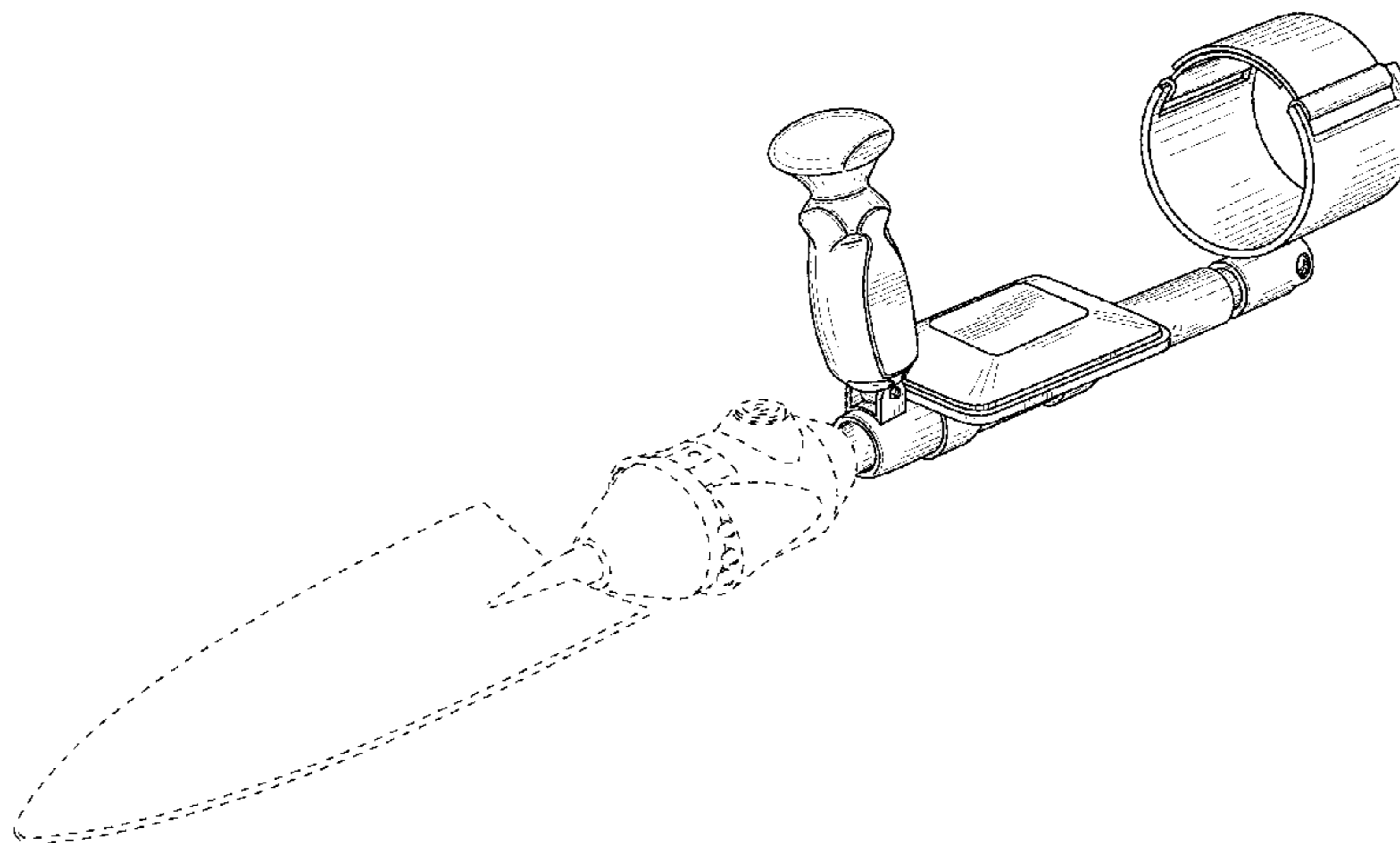
DESCRIPTION

U.S. PATENT DOCUMENTS

25,818 A * 10/1859 Goodall B26B 27/007 30/298
712,843 A 11/1902 Paul
2,482,589 A 9/1949 Maguire
4,888,846 A 12/1989 Natale
4,924,924 A 5/1990 Stewart
4,930,181 A 6/1990 Johnson
5,275,068 A 1/1994 Wrench
5,379,758 A 1/1995 Snyder
5,529,357 A 6/1996 Hoffman
5,716,087 A * 2/1998 Backich A01B 1/02 16/422
5,813,206 A 9/1998 McKittrick

FIG. 1 is a front perspective view of a gardening tool in accordance with the present invention; FIG. 2 is a right side view thereof; FIG. 3 is a bottom view thereof; FIG. 4 is a top view thereof; FIG. 5 is a left side view thereof; FIG. 6 is a rear view thereof; and, FIG. 7 is a front view thereof. The broken lines in the drawings illustrate portions of the gardening tool and form no part of the claimed design.

1 Claim, 4 Drawing Sheets



(56)

References Cited

U.S. PATENT DOCUMENTS

6,464,272 B1 10/2002 Michaud
 6,564,389 B1 5/2003 Laughlin
 6,598,266 B1 7/2003 Elliott
 D481,287 S 10/2003 Crist
 6,698,064 B1 3/2004 Graj et al.
 D625,970 S 10/2010 Tinius
 D625,971 S 10/2010 Tinius
 8,016,118 B2* 9/2011 Boll E02F 3/02
 209/417
 8,418,321 B1 4/2013 Heiman
 8,453,663 B2 6/2013 Zordan et al.
 D690,183 S 9/2013 Lee
 8,776,648 B2 7/2014 Lee
 9,149,925 B1 10/2015 Van Valin
 D782,888 S * 4/2017 Pritchett, II D8/10
 9,635,796 B1* 5/2017 Amirault B25G 1/00
 D807,716 S * 1/2018 Ahearn D8/10
 2004/0007887 A1 1/2004 Elliott
 2005/0194157 A1 9/2005 Hurt

2006/0174449 A1* 8/2006 Hughes A61F 4/00
 16/430
 2006/0242797 A1 11/2006 Czuwala
 2014/0138280 A1 5/2014 Meinzer et al.
 2016/0353651 A1* 12/2016 Pritchett, II A01B 1/026
 2017/0347517 A1* 12/2017 Ahearn A01B 1/227

FOREIGN PATENT DOCUMENTS

GB 2 248 034 A 3/1992
 GB 2 298158 A 8/1996
 WO WO 2009/136150 A1 11/2009

OTHER PUBLICATIONS

Welcome Mobility, "Easi-Grip Garden Tools with Arm Support Cuff," Welcome Mobility, 3 pages, 2015.
 Blaine R. Copenheaver, *Authorized officer* Commissioner for Patents, USPTO, International Search Report—Application No. PCT/US2017/032618, dated Jul. 31, 2017, 11 pages, *together with the Written Opinion of the International Searching Authority.*

* cited by examiner

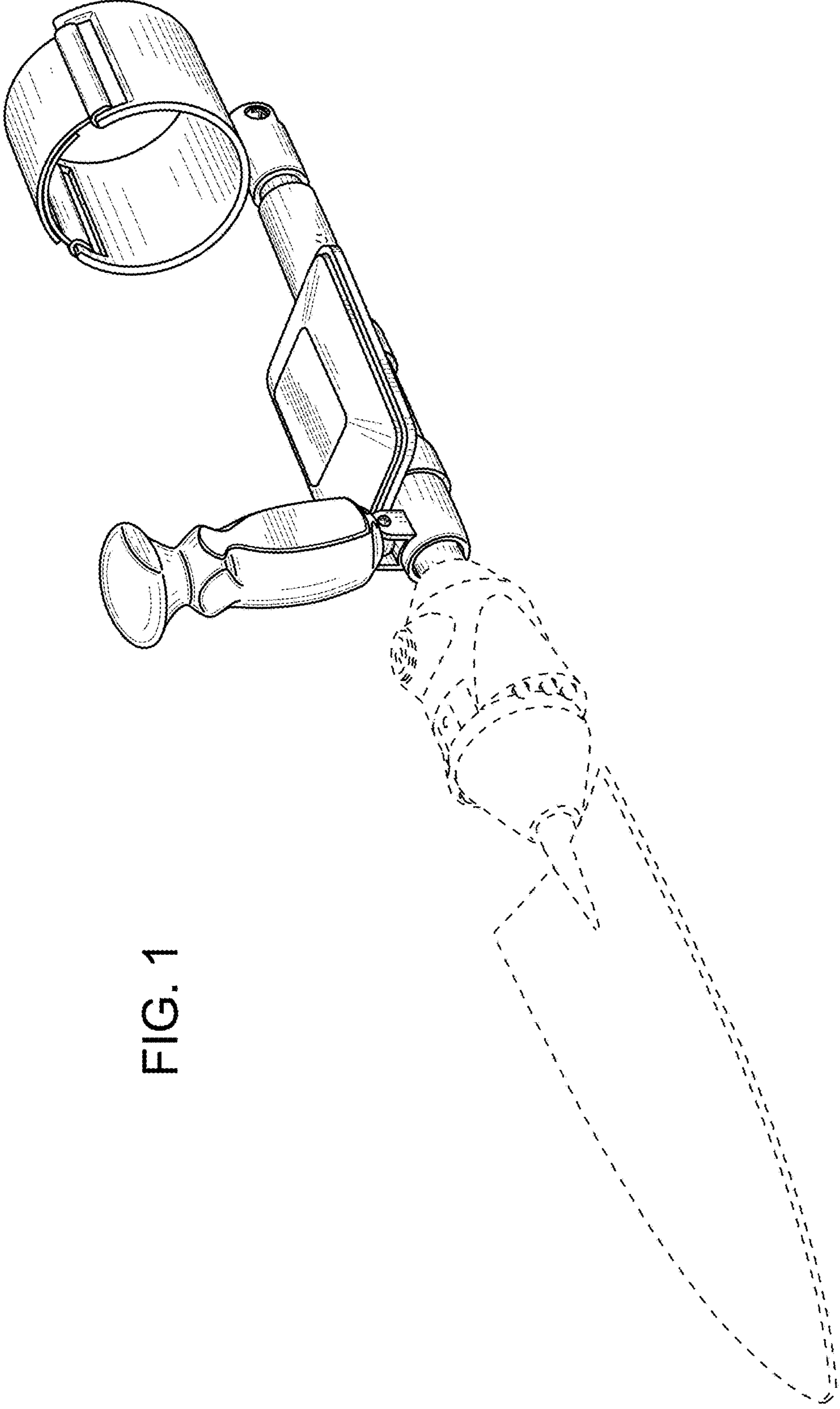


FIG. 1

FIG. 2

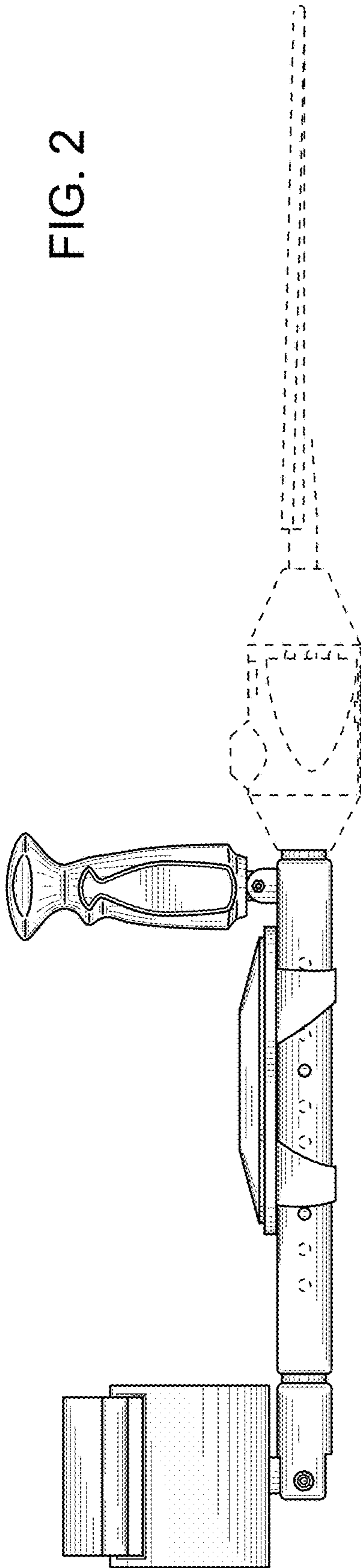
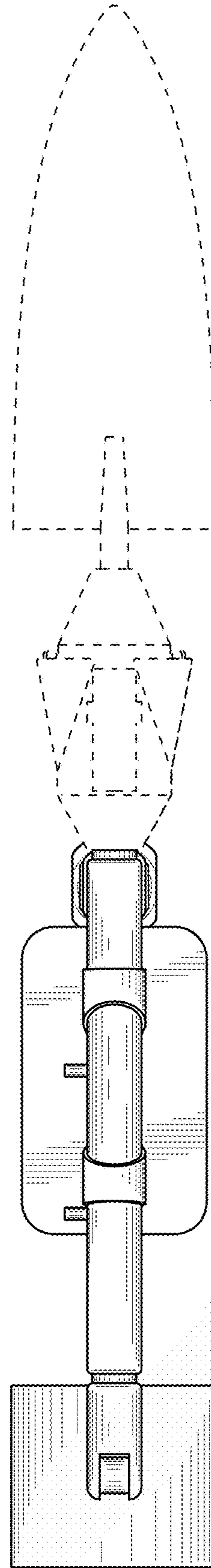


FIG. 3



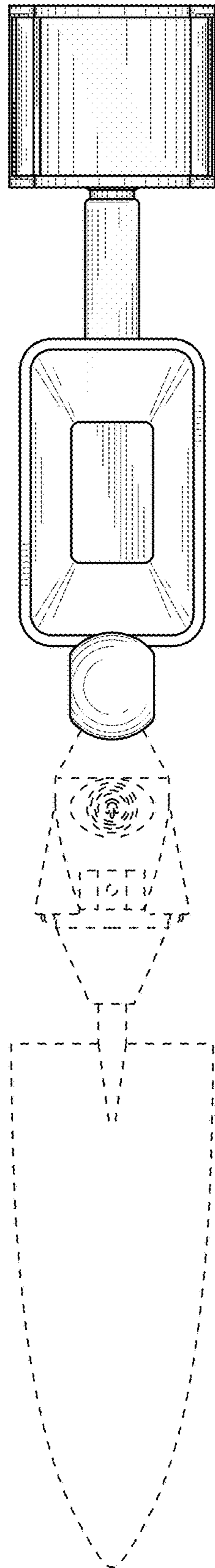


FIG. 4

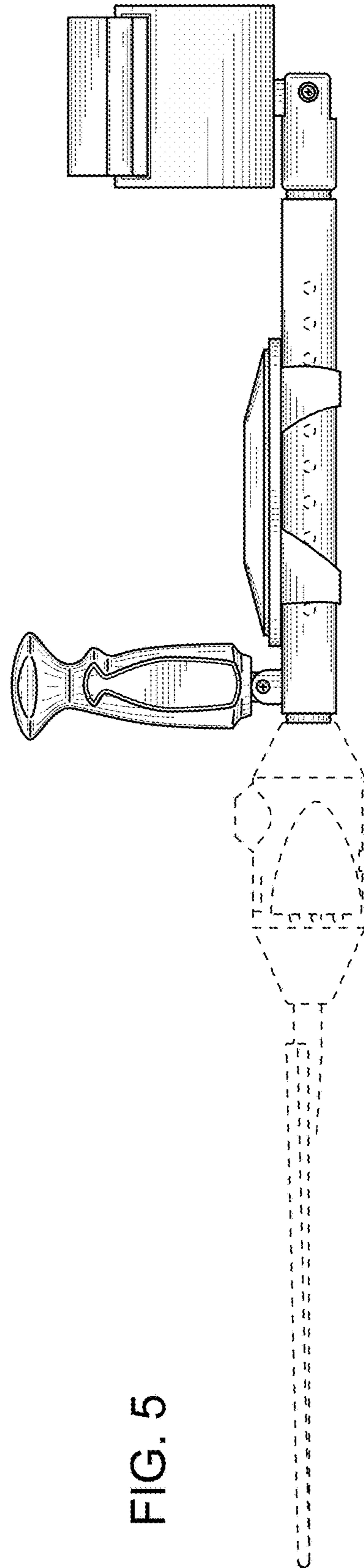


FIG. 5

FIG. 6

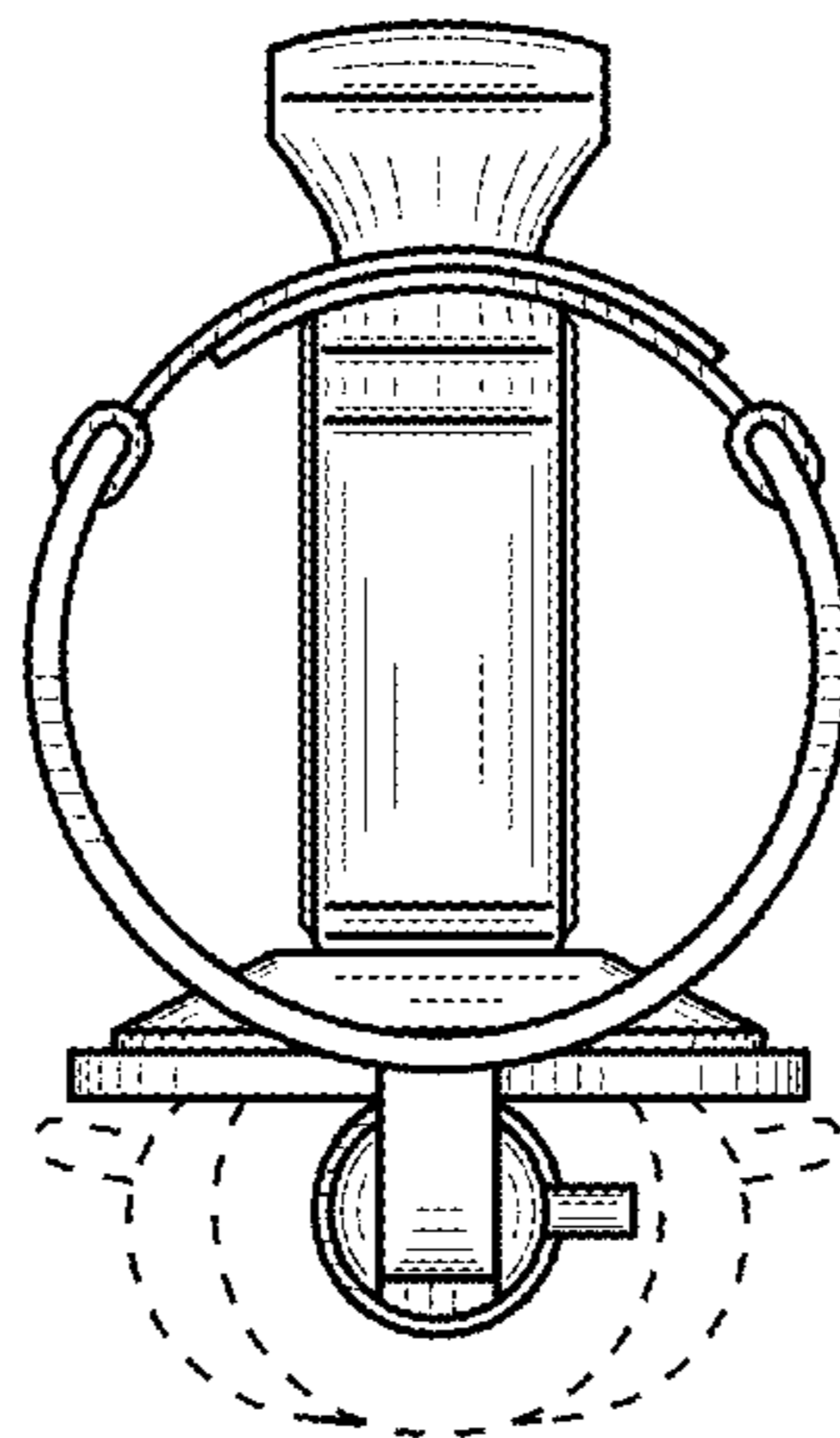


FIG. 7

