



US00D825295S

(12) **United States Design Patent** (10) **Patent No.:** **US D825,295 S**
Roberts (45) **Date of Patent:** **** Aug. 14, 2018**

(54) **SHOVEL**
(71) Applicant: **Haigh Australia Pty. Ltd.**, Darra Queensland (AU)
(72) Inventor: **Chris Roberts**, Darra Queensland (AU)
(73) Assignee: **Haigh Australia Pty. Ltd.** (AU)
(**) Term: **14 Years**

(21) Appl. No.: **29/517,501**

(22) Filed: **Feb. 13, 2015**

(51) **LOC (11) Cl.** **08-01**

(52) **U.S. Cl.**
USPC **D8/10**

(58) **Field of Classification Search**
USPC D8/1, 7, 10; D21/398, 532
CPC .. A01B 1/00; A01B 1/02; A01B 1/022; A01B 1/026; B25G 1/102; B25G 1/04; B25G 1/00; Y10T 16/4713; E01H 5/02
See application file for complete search history.

(56) **References Cited**

U.S. PATENT DOCUMENTS

400,923 A * 4/1889 Little A01B 1/02 137/398
475,208 A * 5/1892 Edwards A01B 1/02 294/59
628,202 A * 7/1899 Laws A01B 1/02 294/49
D31,473 S * 8/1899 Wheeler D8/10
1,762,718 A * 6/1930 Hervey B25G 3/02 294/57
2,279,324 A * 4/1942 Julien B25G 1/04 16/429
4,396,214 A * 8/1983 Lesche B25G 3/26 294/49
5,037,235 A * 8/1991 Aquilina B25G 1/04 16/427
D362,164 S * 9/1995 Butcher 294/49

D388,668 S * 1/1998 Rich D8/10
5,799,996 A * 9/1998 Fredrickson A01B 1/20 172/375
D459,169 S * 6/2002 Clivio D8/10
D604,572 S * 11/2009 Randolph D8/10
D617,616 S * 6/2010 Randolph D8/10
D621,670 S * 8/2010 Jusidman Rubinstein D8/10
D653,510 S * 2/2012 Huff D8/10
D673,823 S * 1/2013 Randolph D8/10
D699,528 S * 2/2014 Randolph D8/10
2003/0184104 A1 * 10/2003 Ping A01B 1/227 294/57
2004/0006824 A1 * 1/2004 Huang A62C 8/00 7/116

(Continued)

FOREIGN PATENT DOCUMENTS

AU 345288 S 11/2012

Primary Examiner — Sandra S Snapp

Assistant Examiner — Ieisha N Price

(74) *Attorney, Agent, or Firm* — Polsinelli PC

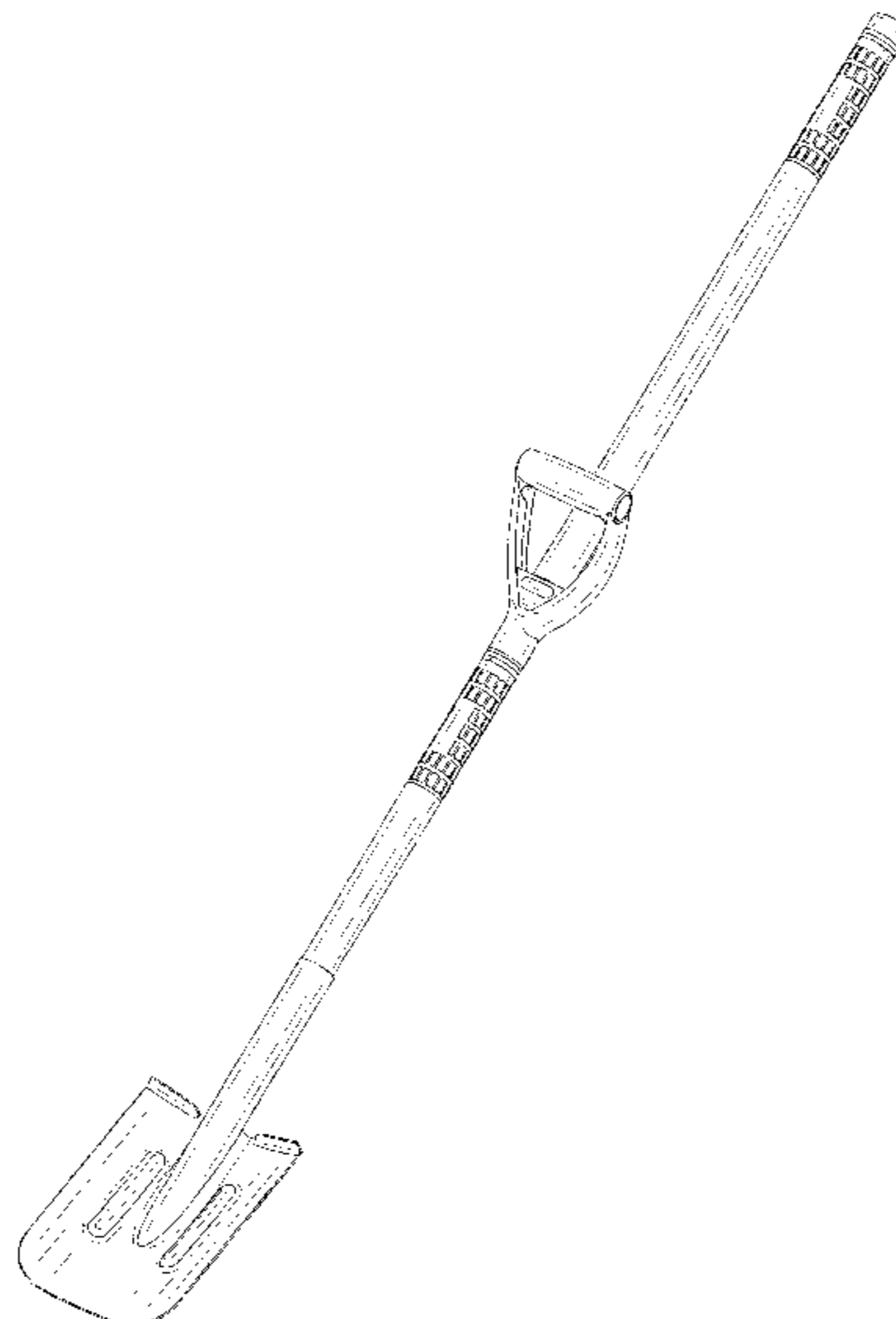
(57) **CLAIM**

The ornamental design for a shovel, as shown and described.

DESCRIPTION

FIG. 1 is a perspective view of the shovel;
FIG. 2 is a front view of the shovel;
FIG. 3 is a rear view of the shovel;
FIG. 4 is a right side view of the shovel;
FIG. 5 is a left side view of the shovel;
FIG. 6 is an enlarged top view of the shovel;
FIG. 7 is an enlarged bottom view of the shovel;
FIG. 8 is an exploded view of the shovel; and,
FIG. 9 is a collapsed view of the shovel.
The broken lines in the drawings illustrate portions of the shovel that form no part of the claimed design.

1 Claim, 5 Drawing Sheets



(56)

References Cited

U.S. PATENT DOCUMENTS

2014/0191521 A1* 7/2014 Cantu A01B 1/02
294/57

* cited by examiner

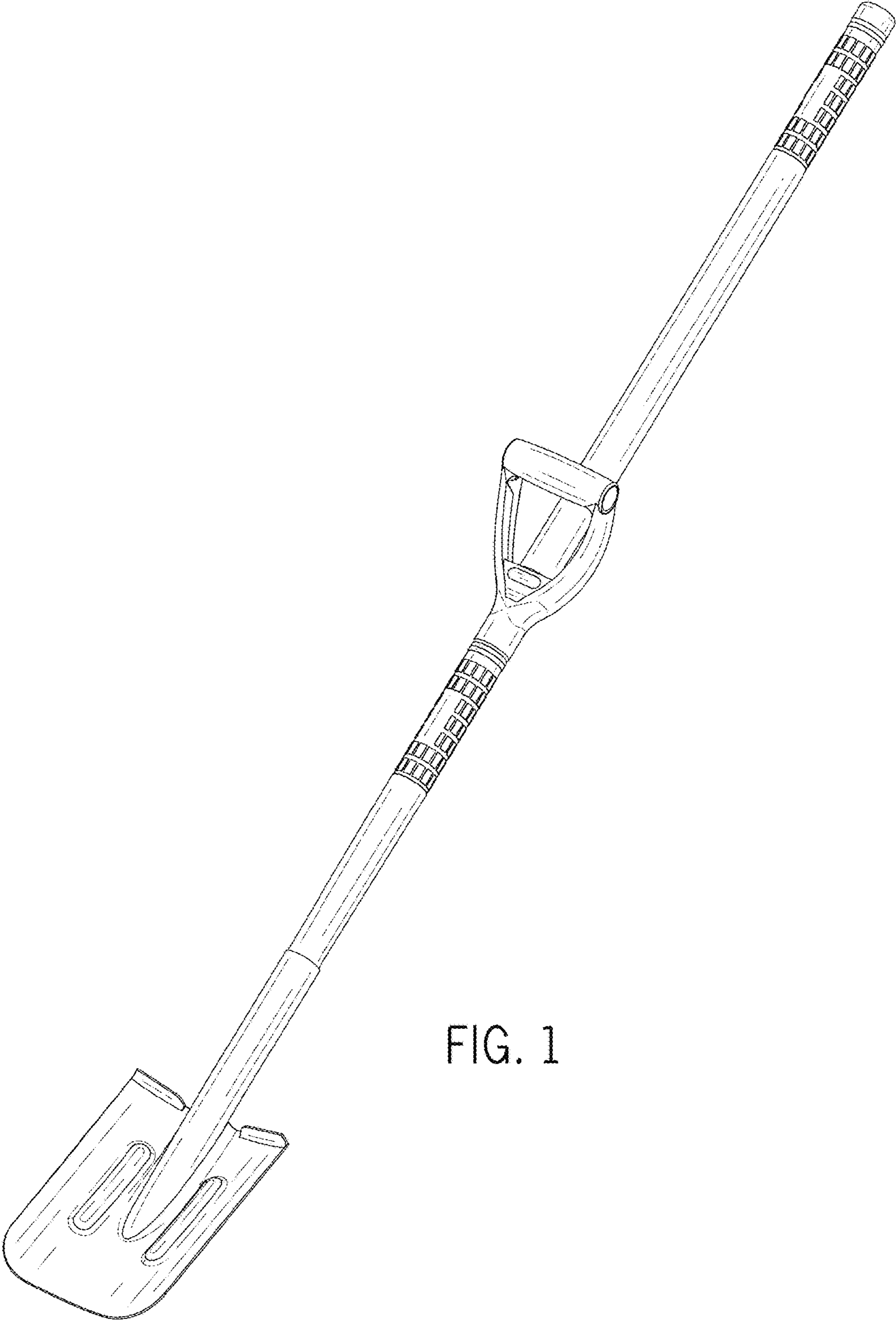


FIG. 1

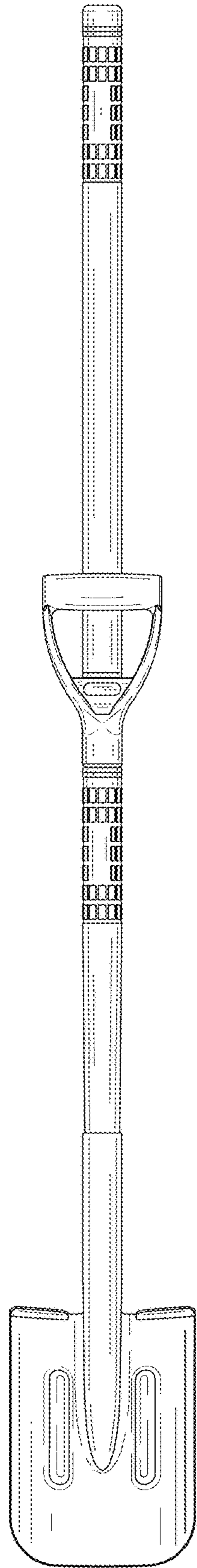


FIG. 2

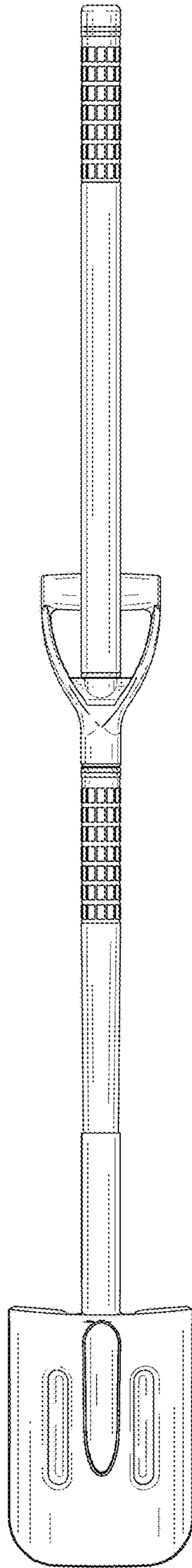


FIG. 3

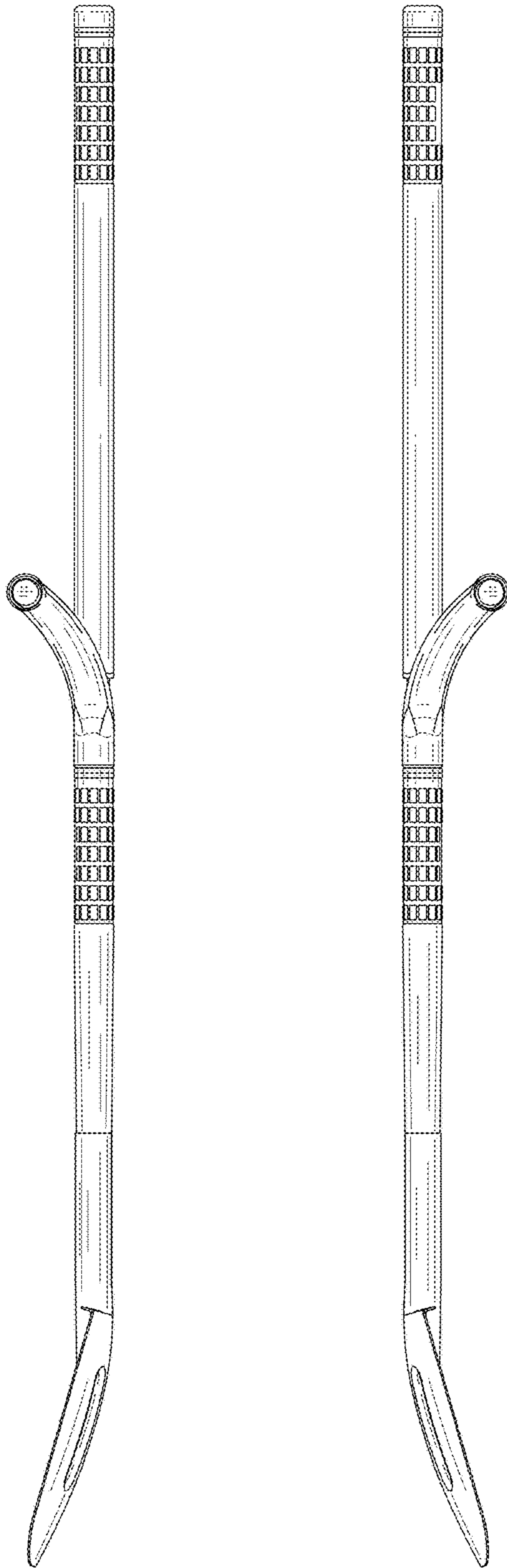


FIG. 4

FIG. 5

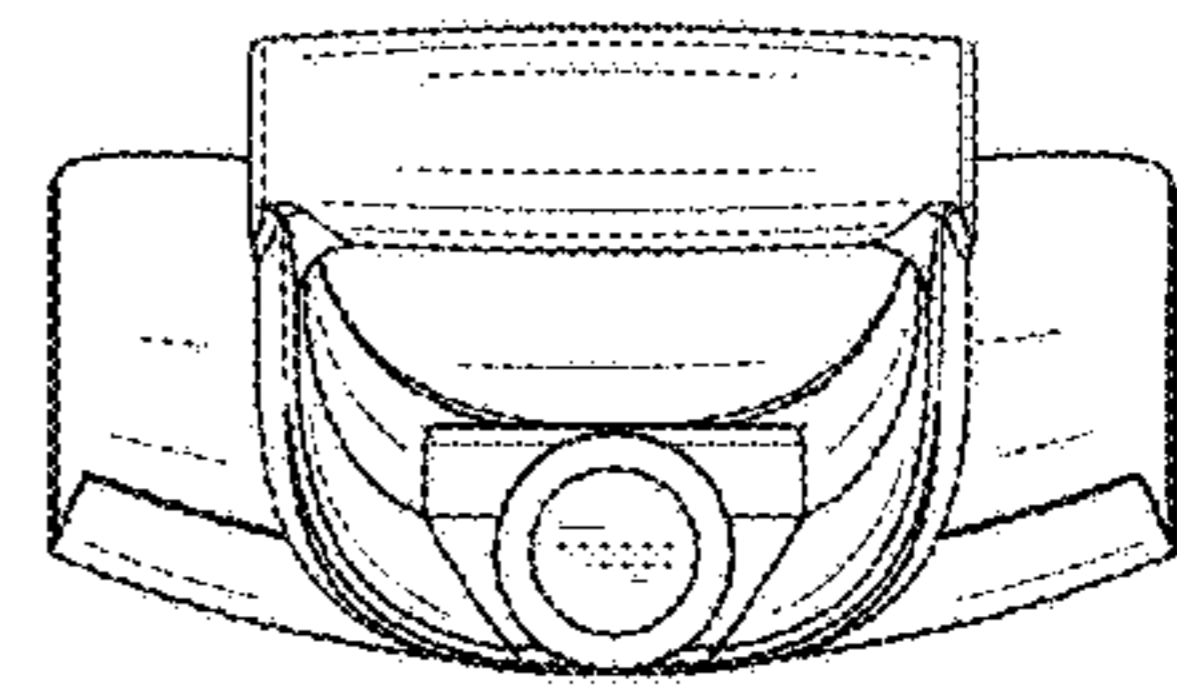


FIG. 6

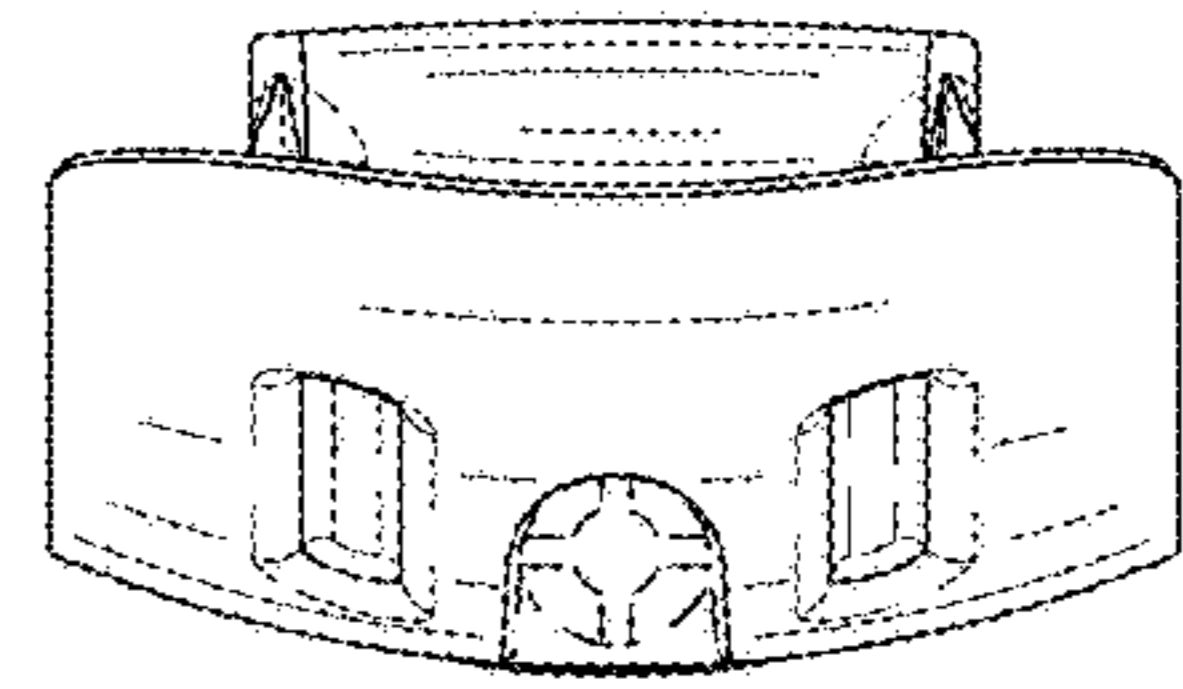


FIG. 7

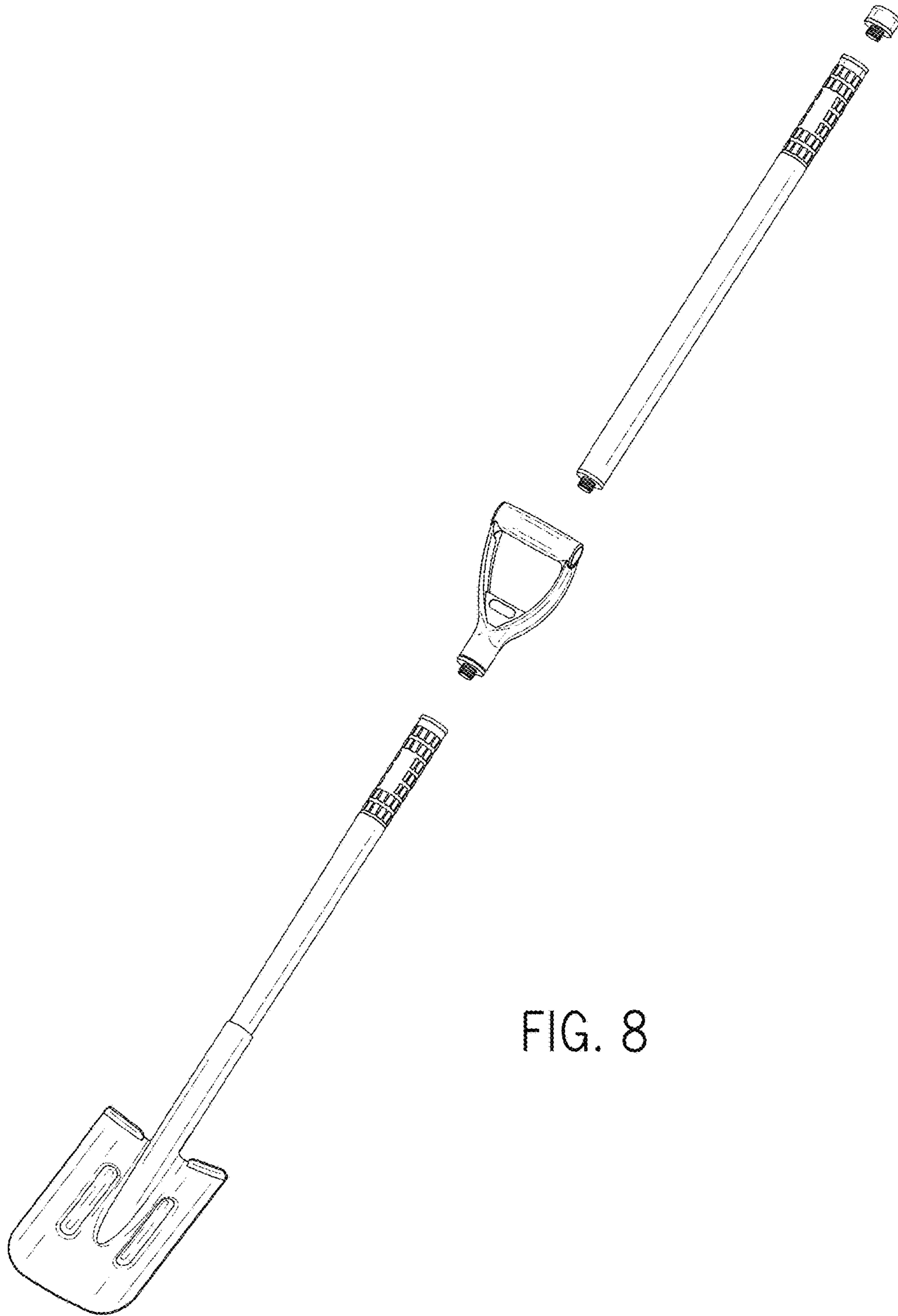


FIG. 8

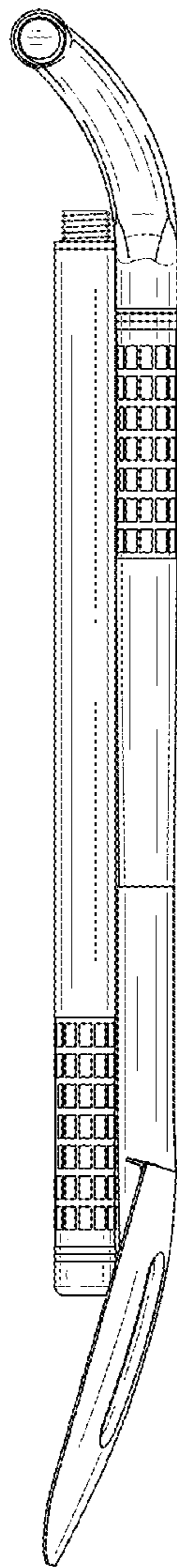


FIG. 9