

US00D825294S

(12) **United States Design Patent** (10) **Patent No.:** **US D825,294 S**
Raven et al. (45) **Date of Patent:** **** Aug. 14, 2018**

(54) **GARDEN TOOL**

(71) Applicants: **Larry Raven**, Fresno, CA (US);
Patricia E. Raven, Fresno, CA (US)

(72) Inventors: **Larry Raven**, Fresno, CA (US);
Patricia E. Raven, Fresno, CA (US)

(**) **Term:** **15 Years**

(21) Appl. No.: **29/586,593**

(22) Filed: **Dec. 5, 2016**

(51) **LOC (11) Cl.** **08-01**

(52) **U.S. Cl.**
USPC **D8/9**

(58) **Field of Classification Search**
USPC D8/7, 9, 10, 11, 12; D21/532
CPC A01B 1/06; A01B 1/10; A01B 1/12; A01B
1/14; A01B 1/16; A01B 1/20; A01B 1/22;
A01B 1/227; A01B 1/222; A01B 1/225;
A62B 3/005; A62B 5/00
See application file for complete search history.

(56) **References Cited**

U.S. PATENT DOCUMENTS

| | | | | | |
|-----------|-----|---------|-----------------|-------|----------------------|
| 791,623 | A * | 6/1905 | Homles | | A01B 1/12 172/375 |
| 1,437,199 | A * | 11/1922 | Same | | A01B 1/16 172/381 |
| 1,516,789 | A * | 11/1924 | Rassner | | B26B 5/005 30/314 |
| 1,571,818 | A * | 2/1926 | Ternan | | A01B 1/02 294/49 |
| 1,687,986 | A * | 10/1928 | Miller | | A01B 1/08 172/381 |
| 1,798,036 | A * | 3/1931 | Schulz | | A01B 1/20 172/375 |
| 1,895,055 | A | 1/1933 | Steinour et al. | | |
| 2,594,598 | A * | 4/1952 | Timmins | | A01B 1/00 172/380 |

| | | | |
|-----------|---|---------|-----------------|
| D181,495 | S | 11/1957 | Sinko |
| 3,061,928 | A | 11/1962 | Waters et al. |
| 3,173,206 | A | 3/1965 | Chambers |
| D235,965 | S | 7/1975 | Grinnell et al. |
| D303,027 | S | 8/1989 | Gray |
| D307,100 | S | 4/1990 | Roman |

(Continued)

Primary Examiner — Sandra S Snapp

Assistant Examiner — Ieisha N Price

(74) *Attorney, Agent, or Firm* — Mark D. Miller

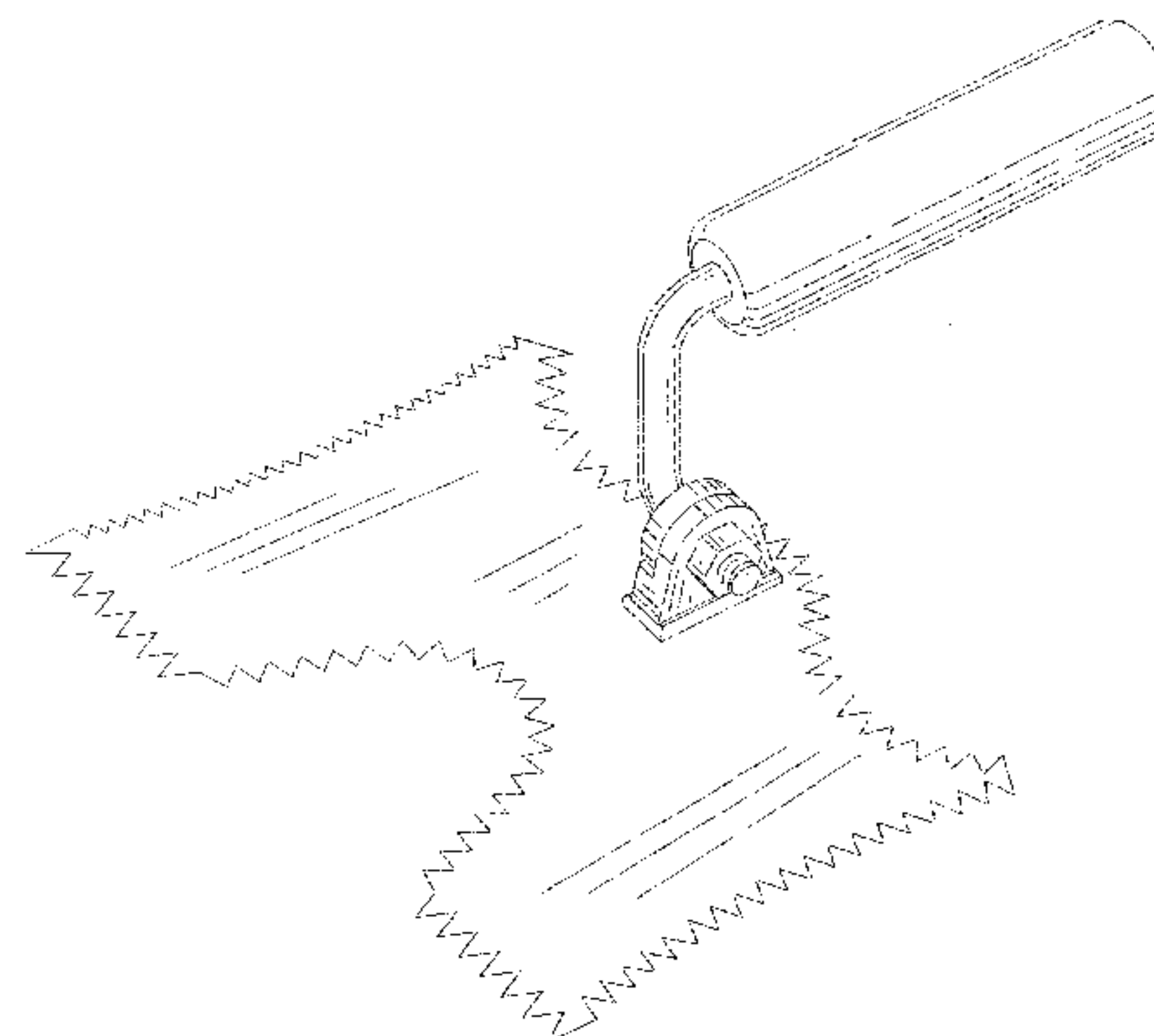
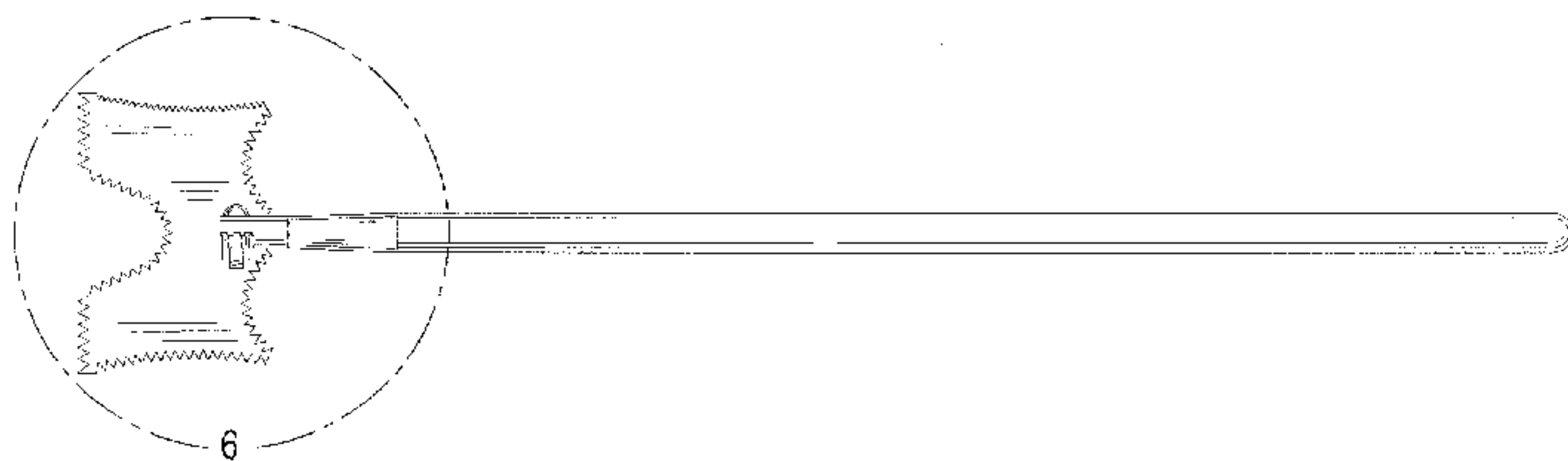
(57) **CLAIM**

We claim the ornamental design for a garden tool, as shown and described.

DESCRIPTION

FIG. 1 is a top plan view of the first embodiment of a garden tool, showing our new design;
 FIG. 2 is a right side elevational view thereof;
 FIG. 3 is a left side elevational view thereof;
 FIG. 4 is a front elevational view thereof;
 FIG. 5 is a rear elevational view thereof;
 FIG. 6 is an enlarged top plan view thereof, taken along line 6 of FIG. 1;
 FIG. 7 is an enlarged bottom plan view thereof, taken along line 7 of FIG. 12;
 FIG. 8 is a perspective view of the second embodiment thereof, showing the garden tool having a short handle;
 FIG. 9 is a side elevation view of the embodiment of FIG. 8;
 FIG. 10 is an enlarged top plan view of the third embodiment thereof, showing the garden tool having a short handle;
 FIG. 11 is an enlarged left side view of the embodiment of FIG. 10 with the handle in a rotated position; and,
 FIG. 12 is a bottom plan view of the garden tool of FIG. 1. All portions of the garden tool located between the break lines, shown in FIGS. 6, 7, 10 and 11, form no part of the claimed design.

1 Claim, 7 Drawing Sheets



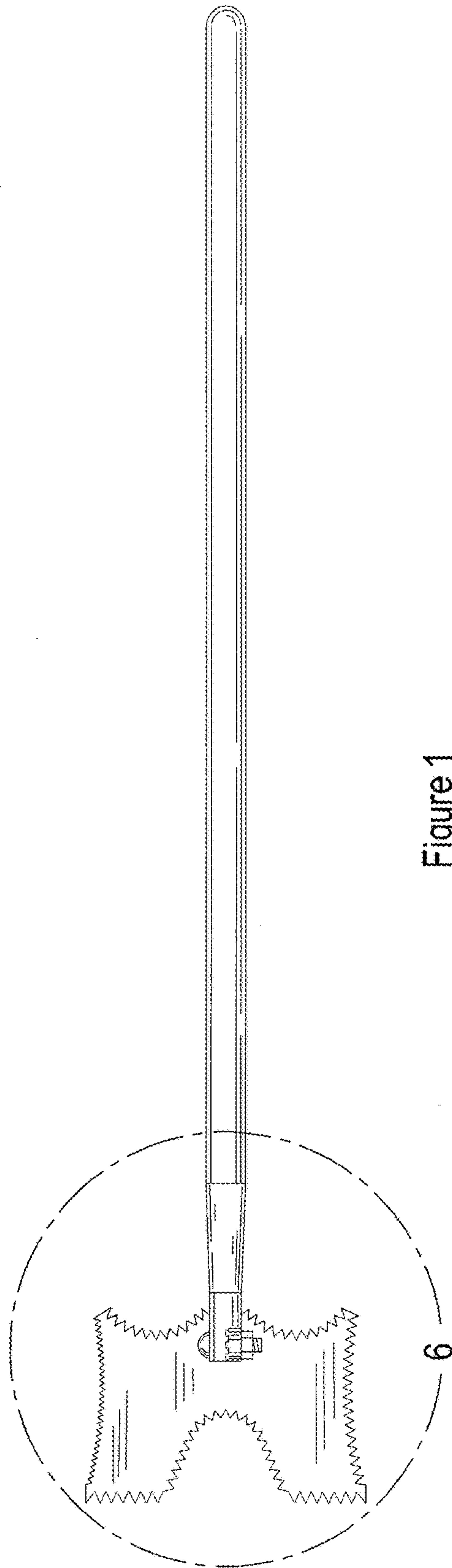


Figure 1

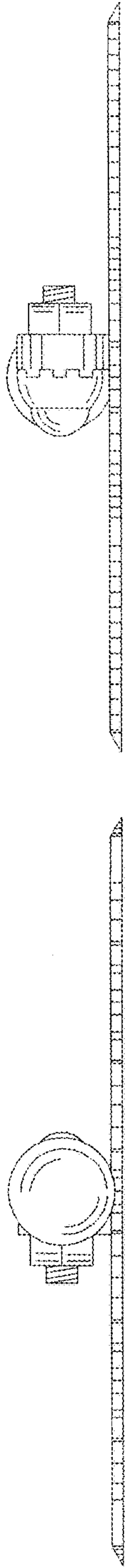


Figure 4

Figure 5

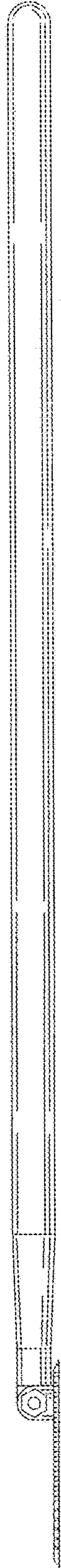


Figure 3

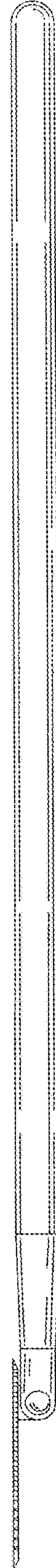


Figure 2

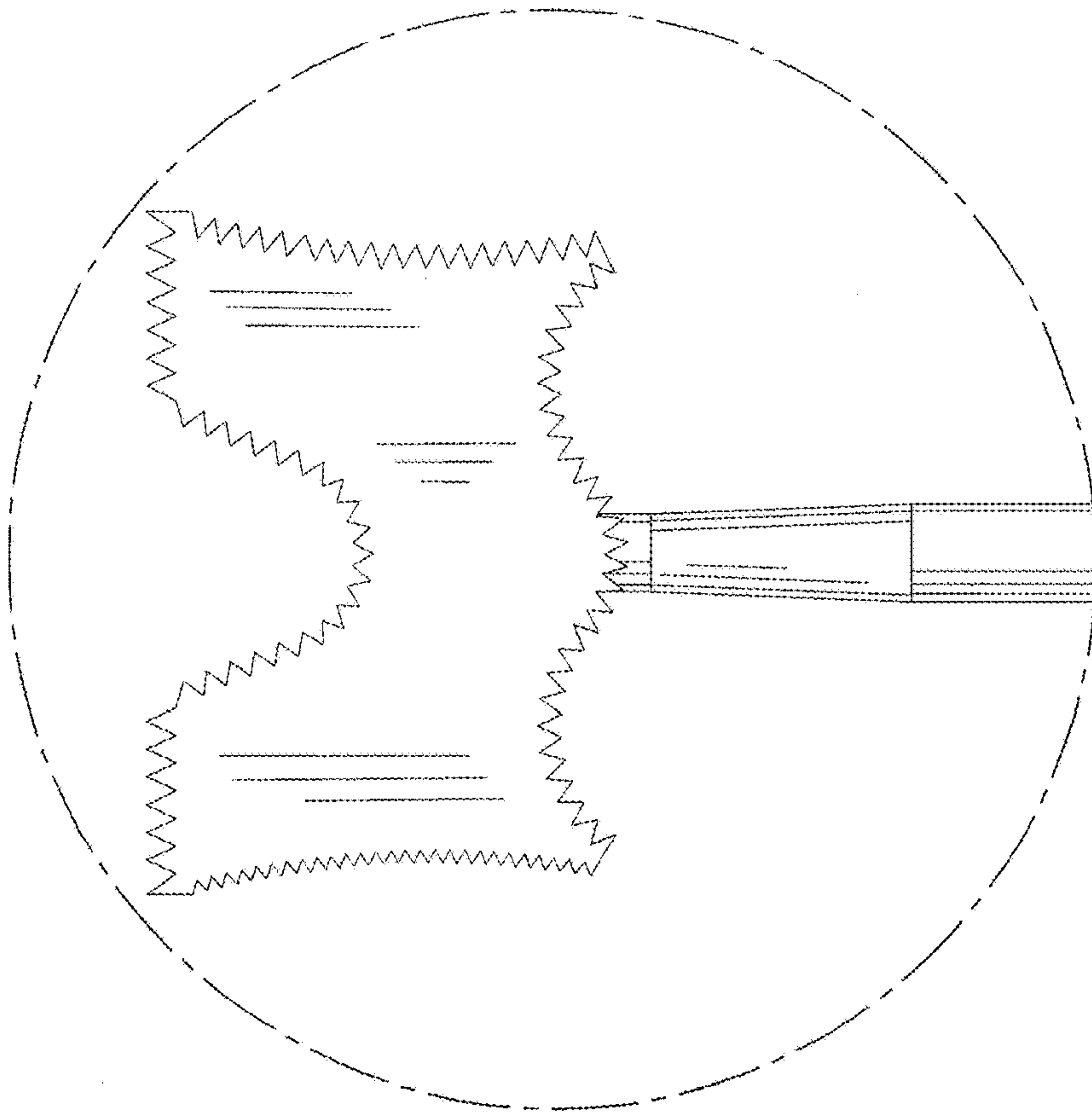


Figure 7

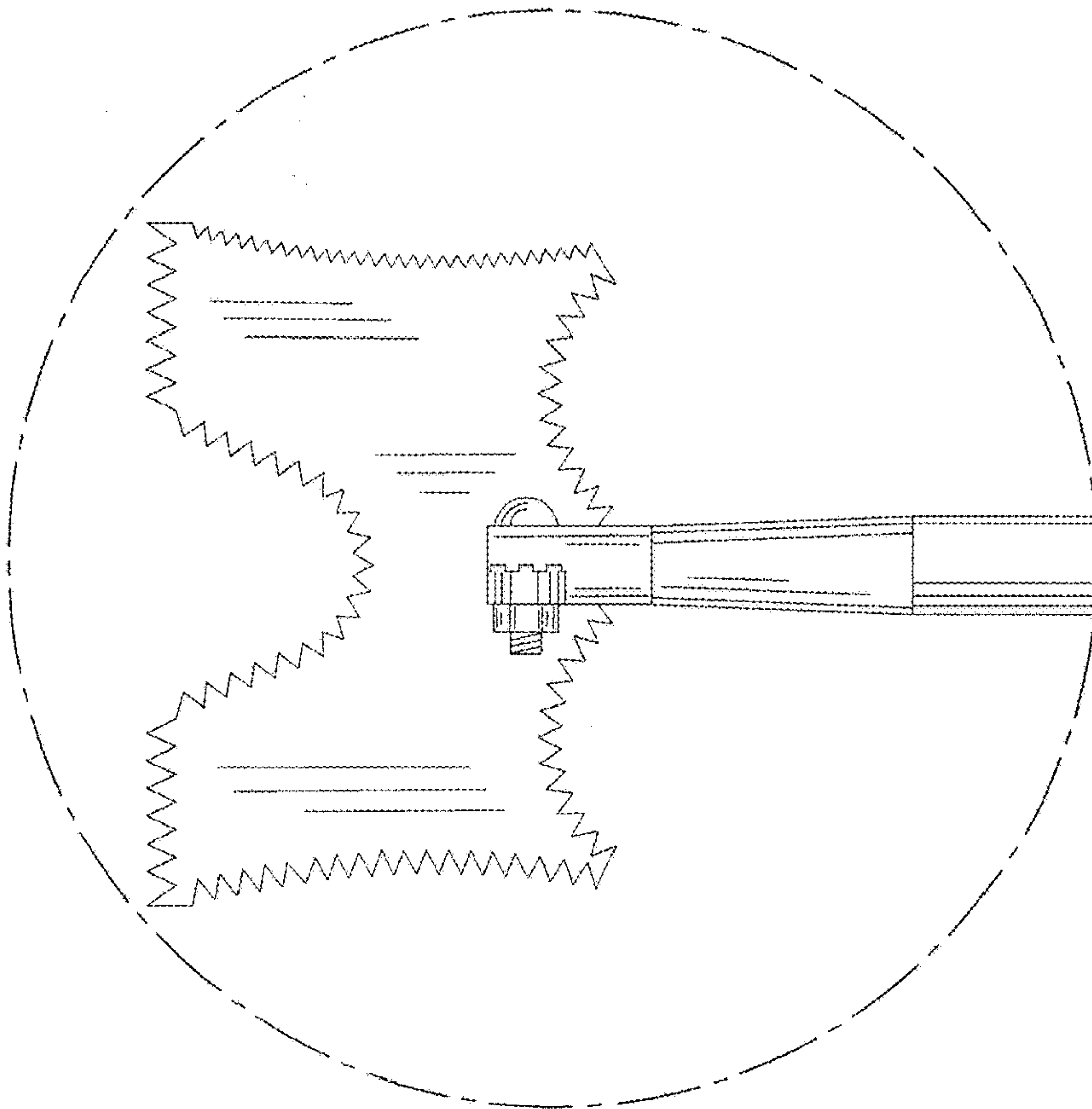


Figure 6

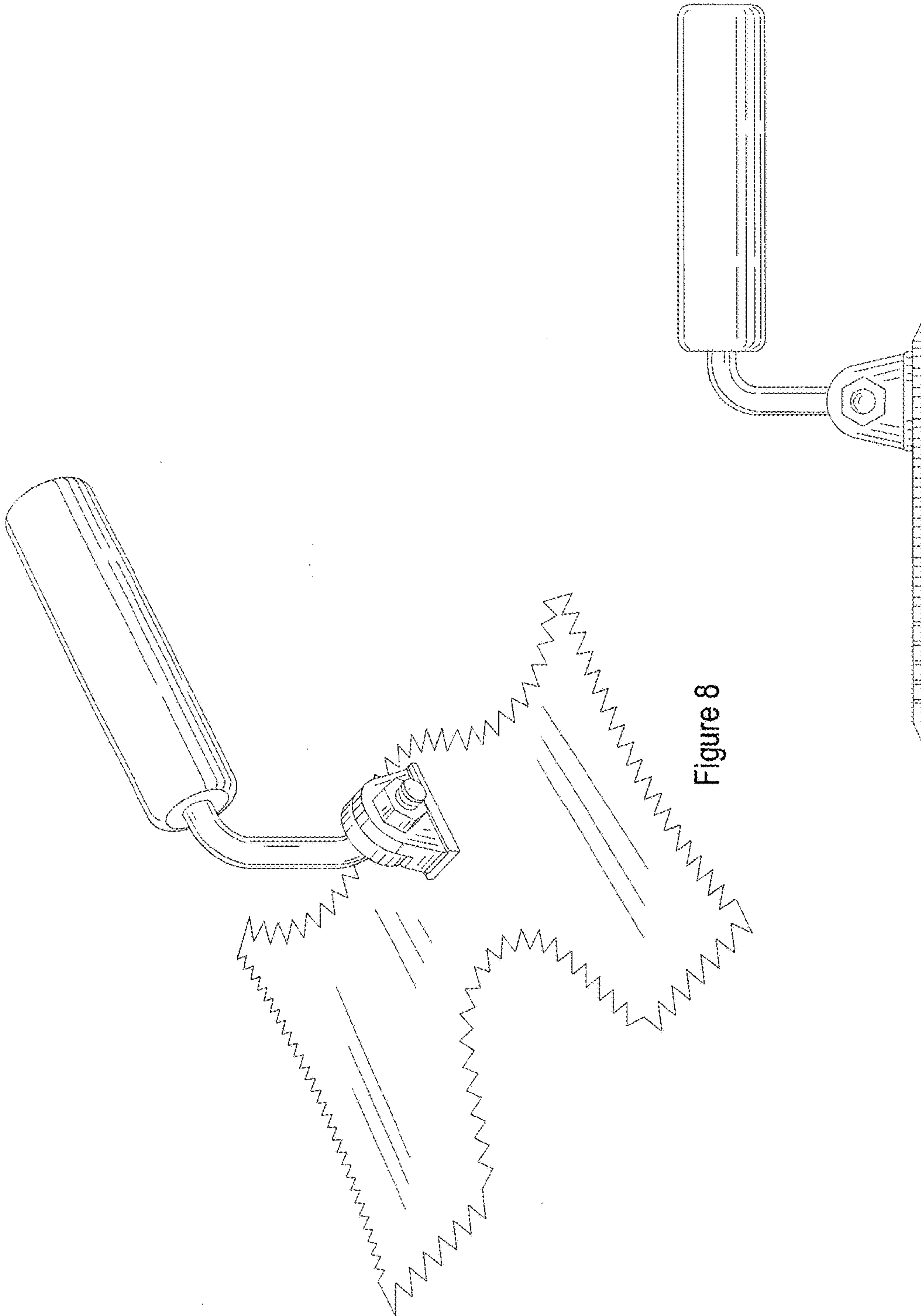


Figure 8

Figure 9

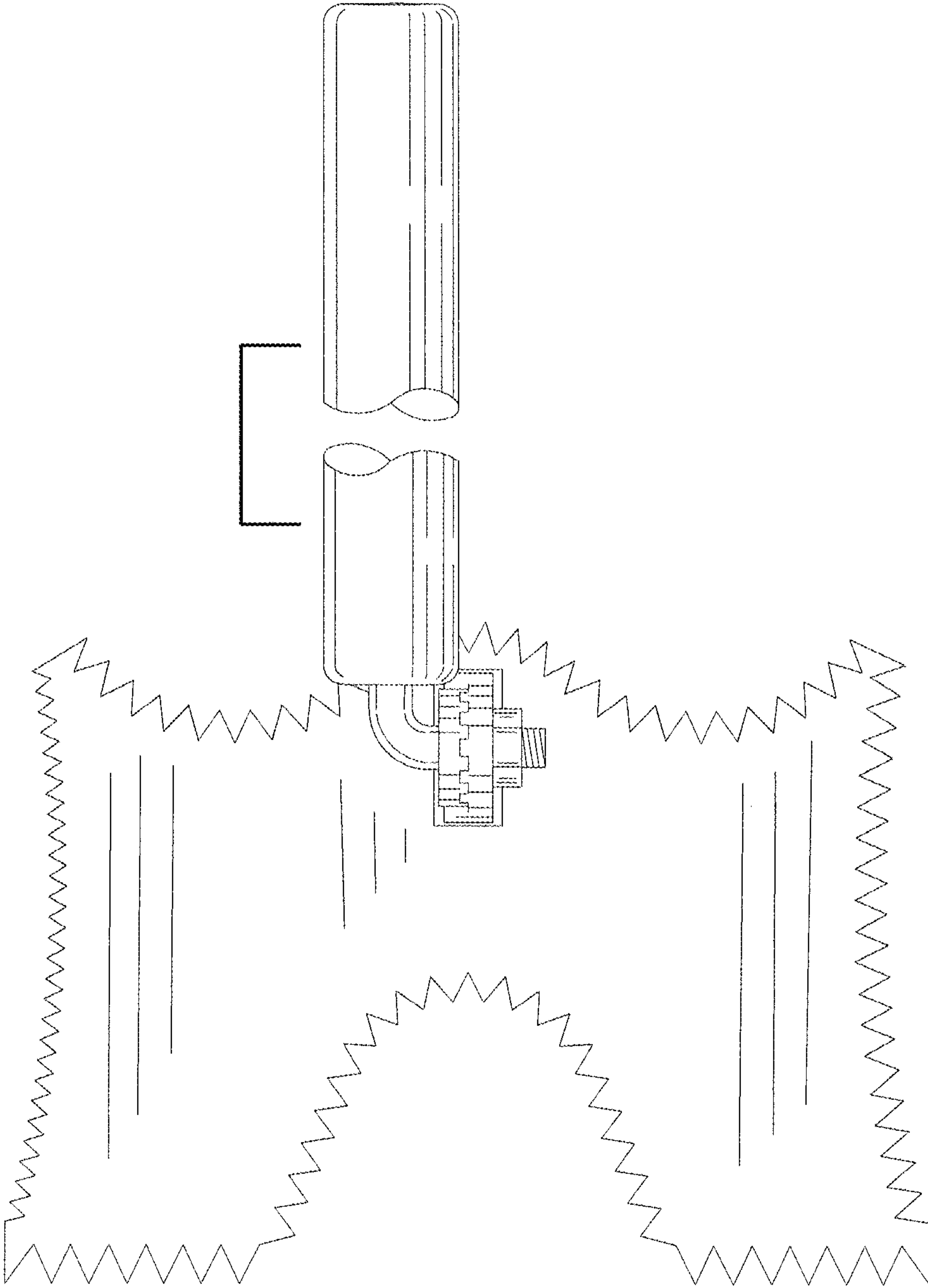


Figure 10

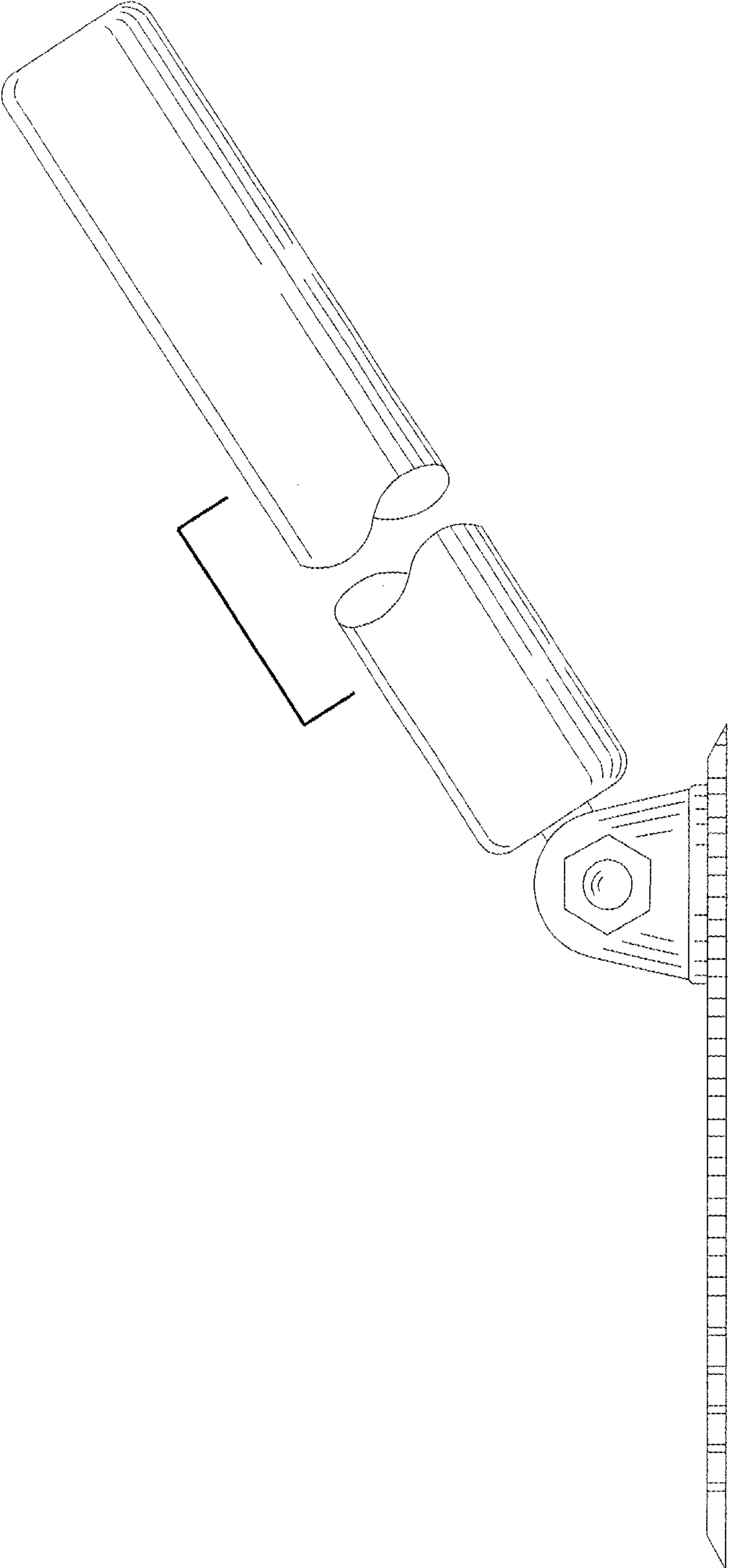


Figure 11

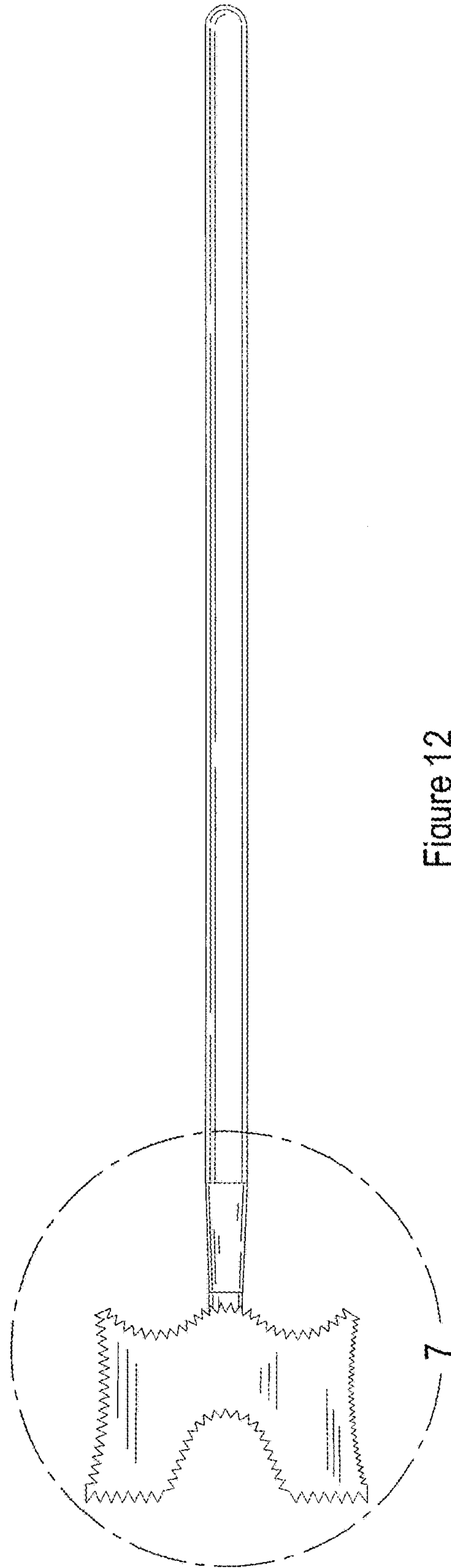


Figure 12