



US00D825293S

(12) **United States Design Patent**  
**Alliss**

(10) **Patent No.:** **US D825,293 S**  
(45) **Date of Patent:** **\*\* Aug. 14, 2018**

(54) **TRIMMER SPOOL NON-RADIAL STRAIGHT CHANNEL**

(71) Applicant: **George E. Alliss**, Fairmont, NC (US)

(72) Inventor: **George E. Alliss**, Fairmont, NC (US)

(73) Assignee: **FIRST-TO-INVENT, LLC**, Fairmont, NC (US)

(\*\*) Term: **15 Years**

(21) Appl. No.: **29/608,520**

(22) Filed: **Jun. 22, 2017**

**Related U.S. Application Data**

(63) Continuation-in-part of application No. 15/376,474, filed on Dec. 12, 2016, now Pat. No. 9,924,631.

(51) **LOC (11) Cl.** ..... **08-01**

(52) **U.S. Cl.**  
USPC ..... **D8/8**

(58) **Field of Classification Search**  
USPC ..... D8/1, 7, 8, 9, 383, 499; D15/17  
CPC .... A01D 34/412; A01D 34/416; A01D 34/01;  
A01D 34/015; A01D 34/4161; A01D  
(Continued)

(56) **References Cited**

**U.S. PATENT DOCUMENTS**

5,806,192 A 9/1998 Everts et al.  
6,148,523 A 11/2000 Everts et al.  
6,263,580 B1 7/2001 Stark et al.

(Continued)

*Primary Examiner* — Sandra S Snapp

*Assistant Examiner* — Ieisha N Price

(57) **CLAIM**

The ornamental design for a trimmer spool non-radial straight channel, as shown and described.

**DESCRIPTION**

FIG. 1 is a top front left perspective view of a first embodiment of a trimmer spool non-radial straight channel in accordance with my design;

FIG. 2 is a top back right perspective view of the trimmer spool non-radial straight channel of FIG. 1;

FIG. 3 is a front elevation view of the trimmer spool non-radial straight channel of FIG. 1;

FIG. 4 is a back elevation view of the trimmer spool non-radial straight channel of FIG. 1; and

FIG. 5 is a top view of the trimmer spool non-radial straight channel of FIG. 1, rotated through ninety degrees;

FIG. 6 is an enlargement of the highlighted region, taken along line 6, of FIG. 3;

FIG. 7 is an enlargement of the highlighted region, taken along line 7, of FIG. 4; and

FIG. 8 is a cross-section of the trimmer spool non-radial straight channel taken along line 8-8 of FIG. 3, rotated through ninety degrees;

FIG. 9 is a top front left perspective view of a second embodiment of a trimmer spool non-radial straight channel in accordance with my design;

FIG. 10 is a top back right perspective view of the trimmer spool non-radial straight channel of FIG. 9;

FIG. 11 is a front elevation view of the trimmer spool non-radial straight channel of FIG. 9;

FIG. 12 is a back elevation view of the trimmer spool non-radial straight non-radial channel of FIG. 9; and

FIG. 13 is a top view of the trimmer spool non-radial straight channel of FIG. 9, rotated through ninety degrees;

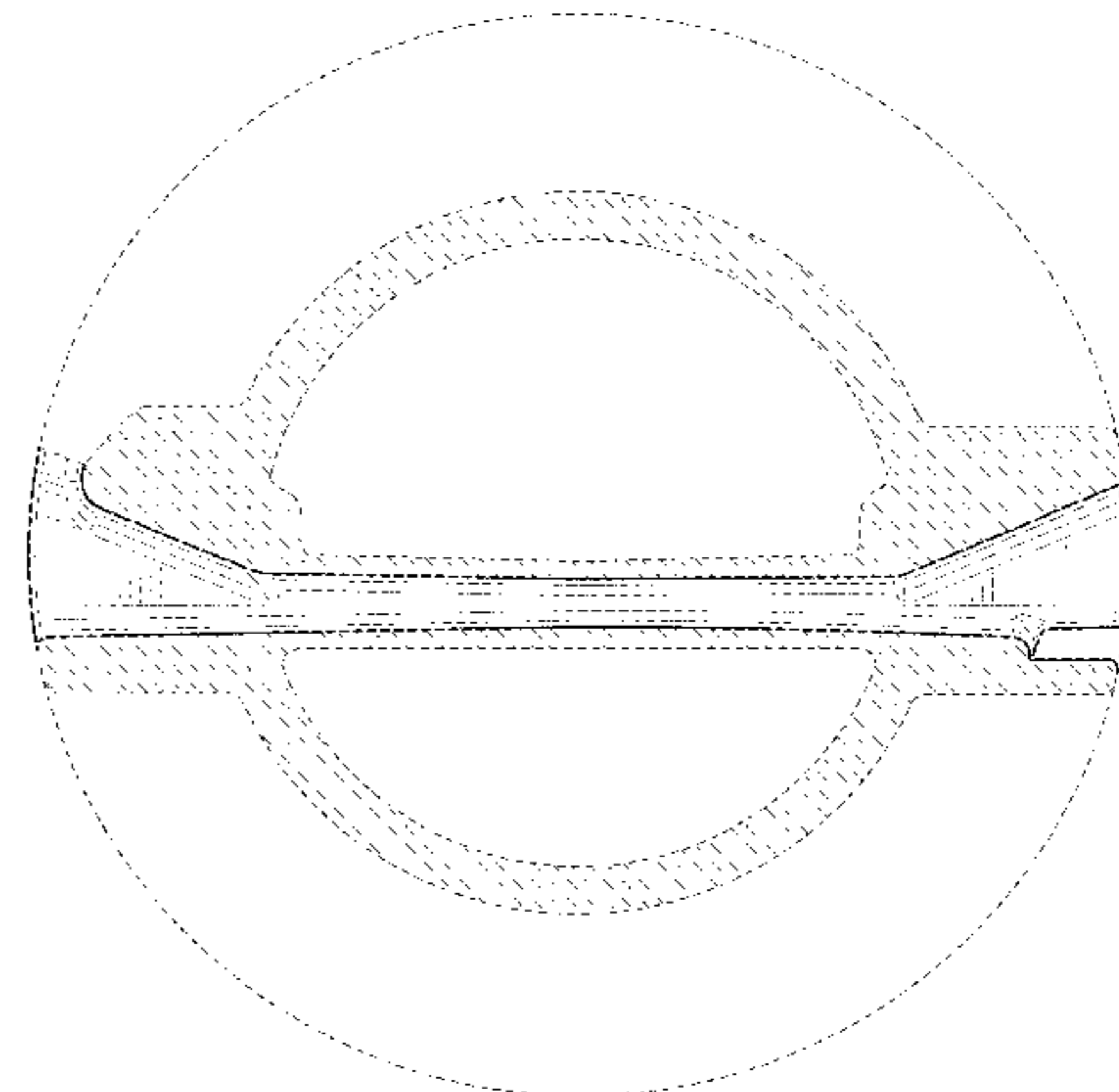
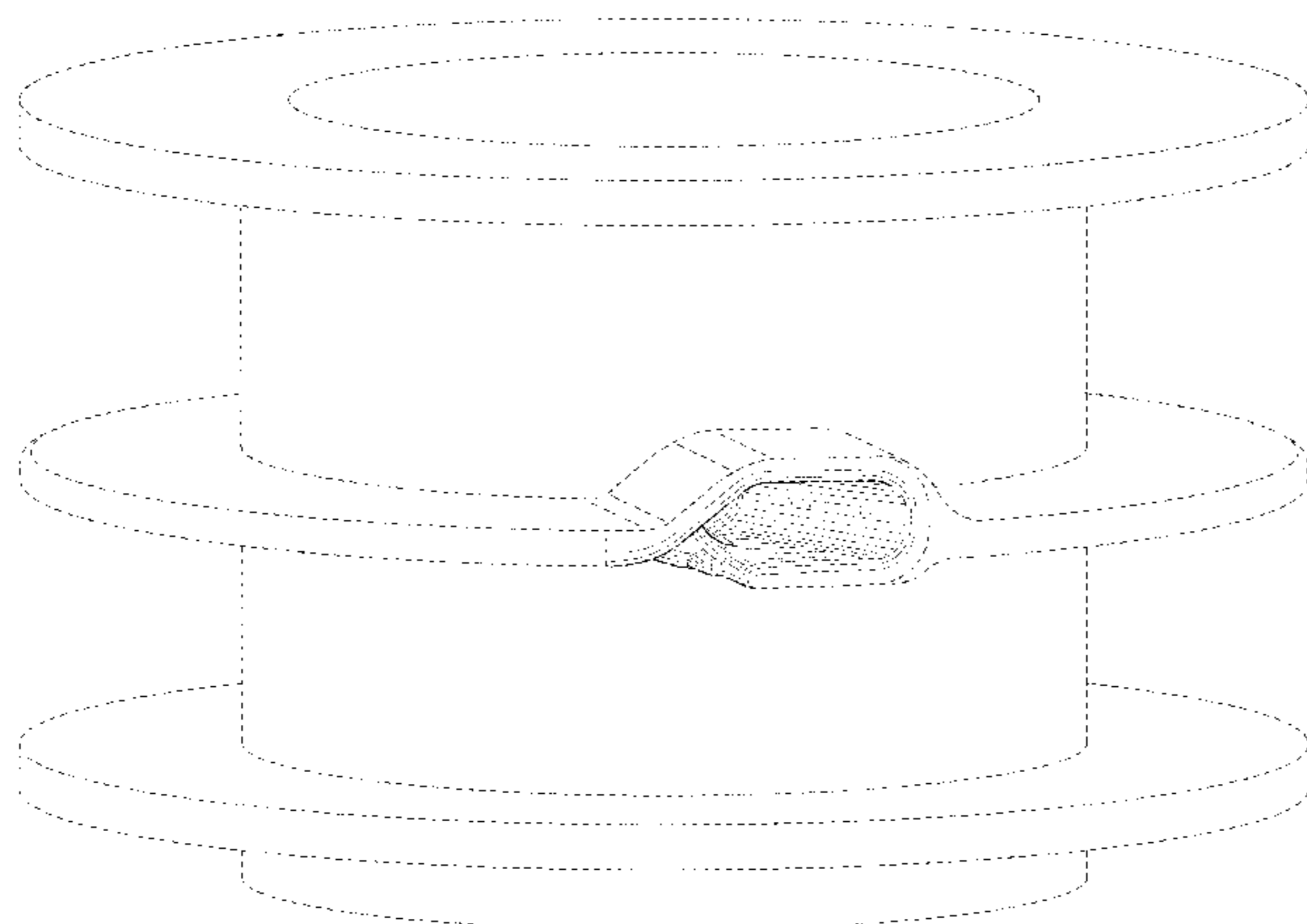
FIG. 14 is an enlargement of the highlighted region, taken along line 14, of FIG. 11;

FIG. 15 is an enlargement of the highlighted region, taken along line 15, of FIG. 12; and,

FIG. 16 is a cross-section of the trimmer spool non-radial straight non-radial channel taken along line 16-16 of FIG. 11, rotated through ninety degrees.

The broken lines illustrate portions of the environment that form no part of the claimed design.

**1 Claim, 16 Drawing Sheets**



# US D825,293 S

Page 2

(58) **Field of Classification Search**  
CPC ..... 34/4165; A01D 34/4166; A01D 34/4167;  
A01D 34/4163  
See application file for complete search history.

(56) **References Cited**

U.S. PATENT DOCUMENTS

6,944,956 B1 \* 9/2005 Fogle ..... A01D 34/4166  
30/276  
8,266,805 B1 \* 9/2012 Alliss ..... A01D 34/4163  
30/276  
D769,086 S 10/2016 Alliss  
D769,087 S 10/2016 Alliss  
D769,088 S 10/2016 Alliss  
9,516,807 B2 12/2016 Alliss  
9,826,679 B2 \* 11/2017 Lang ..... A01D 34/4166  
9,924,631 B2 \* 3/2018 Alliss ..... A01D 34/4161  
2009/0172955 A1 \* 7/2009 Morris ..... A01D 34/4163  
30/276

2009/0260237 A1 \* 10/2009 Alliss ..... A01D 34/4162  
30/276  
2011/0000091 A1 \* 1/2011 Proulx ..... A01D 34/4165  
30/276  
2011/0119932 A1 \* 5/2011 Pfaltzgraff ..... A01D 34/4165  
30/347  
2011/0225832 A1 \* 9/2011 Alliss ..... A01D 34/4162  
30/347  
2011/0302793 A1 \* 12/2011 Alliss ..... A01D 34/4165  
30/347  
2013/0133208 A1 \* 5/2013 Skinner ..... A01D 34/4163  
30/347  
2015/0150191 A1 \* 6/2015 Alliss ..... A01D 34/4163  
30/276  
2016/0128276 A1 \* 5/2016 Arnetoli ..... A01D 34/4166  
30/276  
2017/0183194 A9 \* 6/2017 Alliss ..... B65H 54/30  
2017/0347523 A1 \* 12/2017 Alliss ..... A01D 34/4161  
2017/0349394 A1 \* 12/2017 Alliss ..... B65H 54/30  
2018/0020615 A1 \* 1/2018 Alliss ..... A01D 34/4163

\* cited by examiner

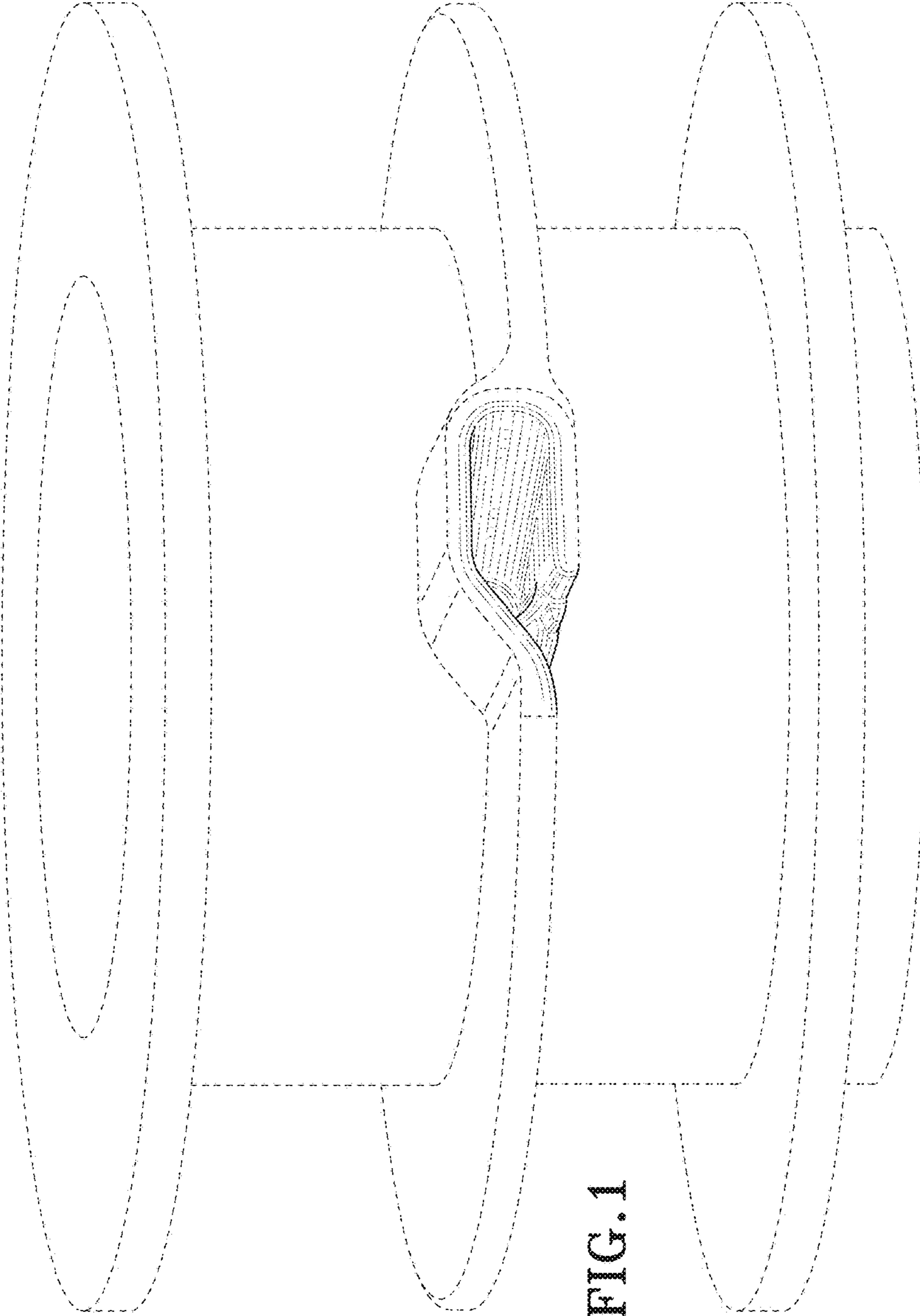


FIG. 1

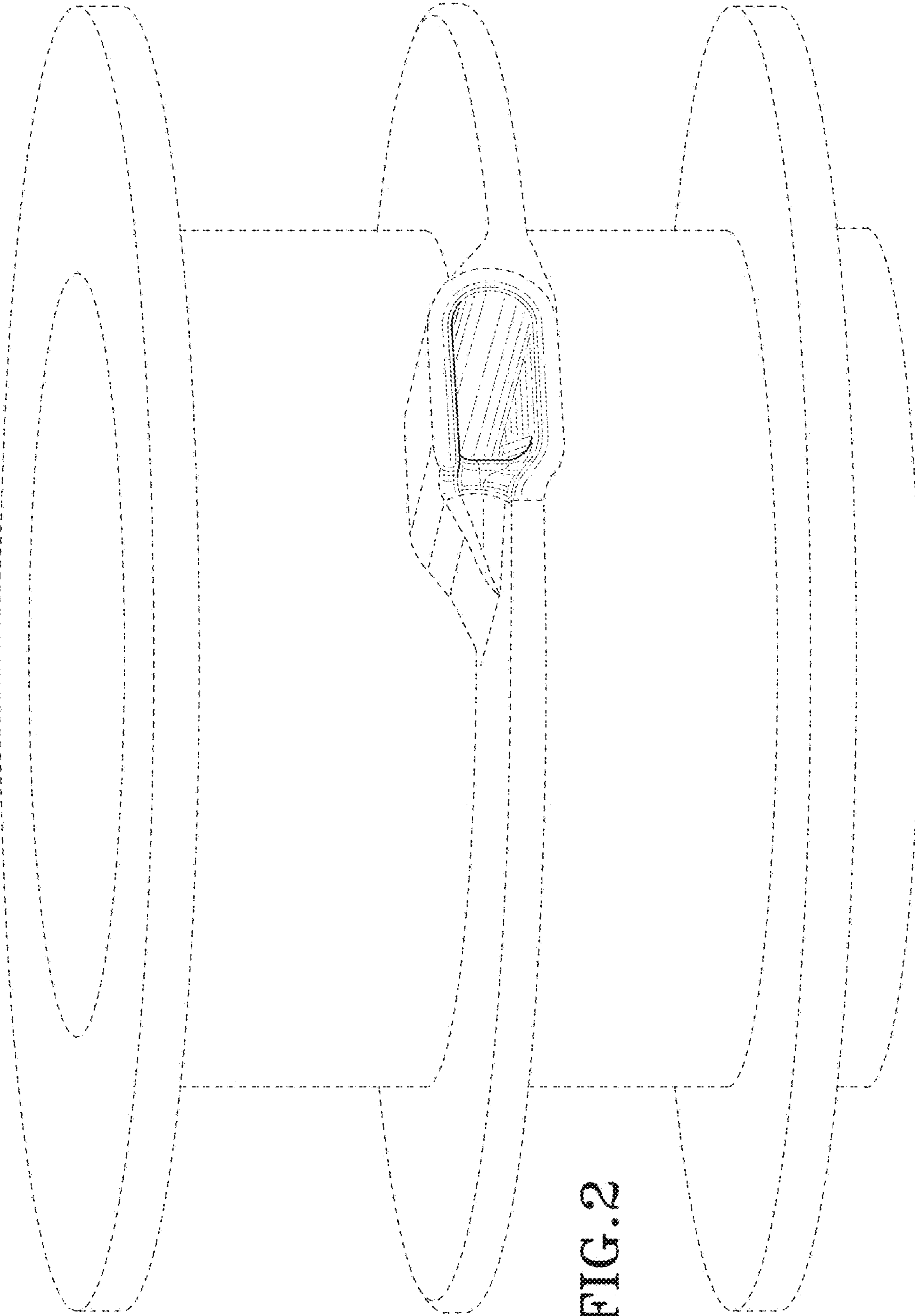


FIG. 2

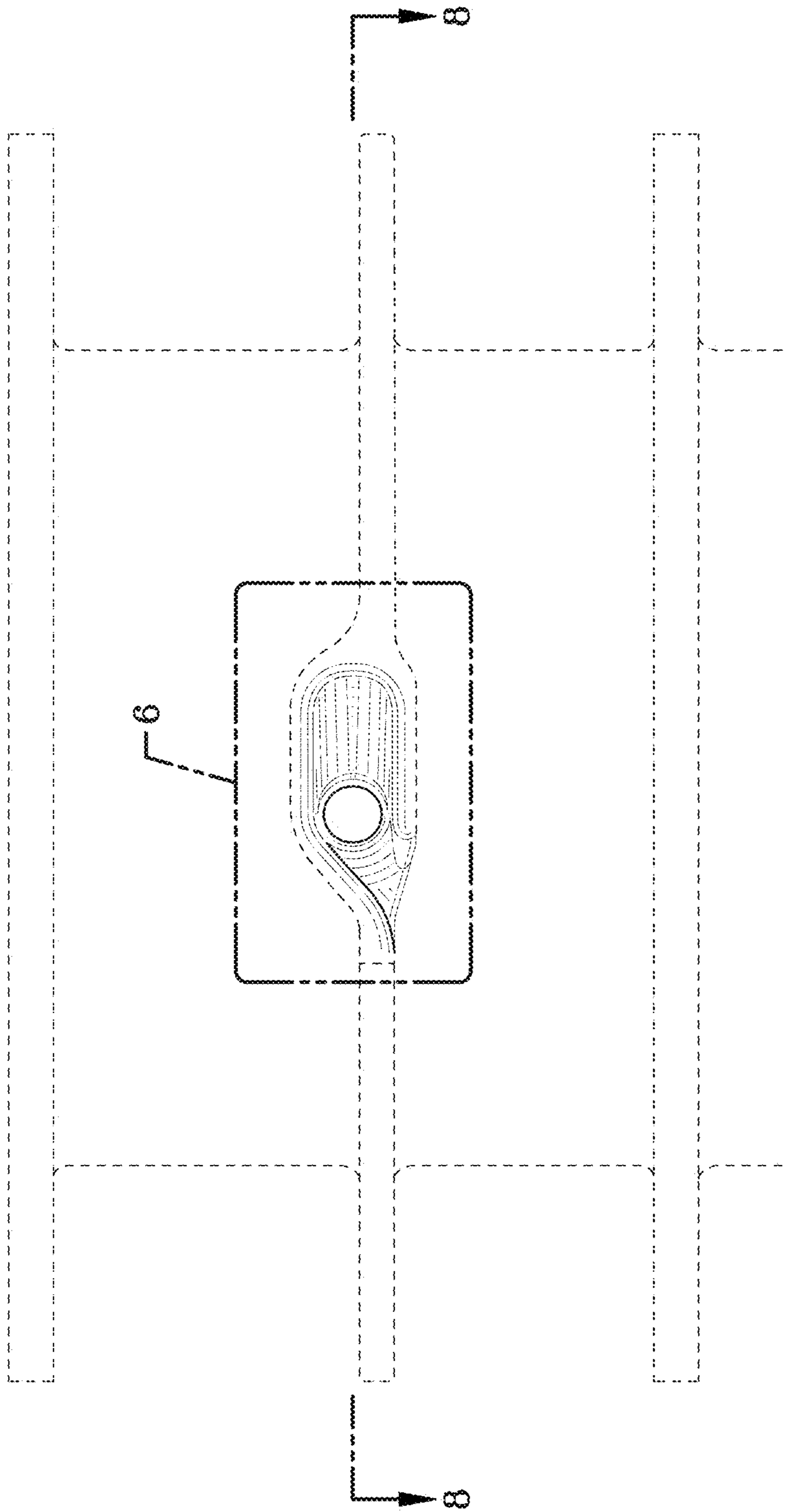


FIG. 3

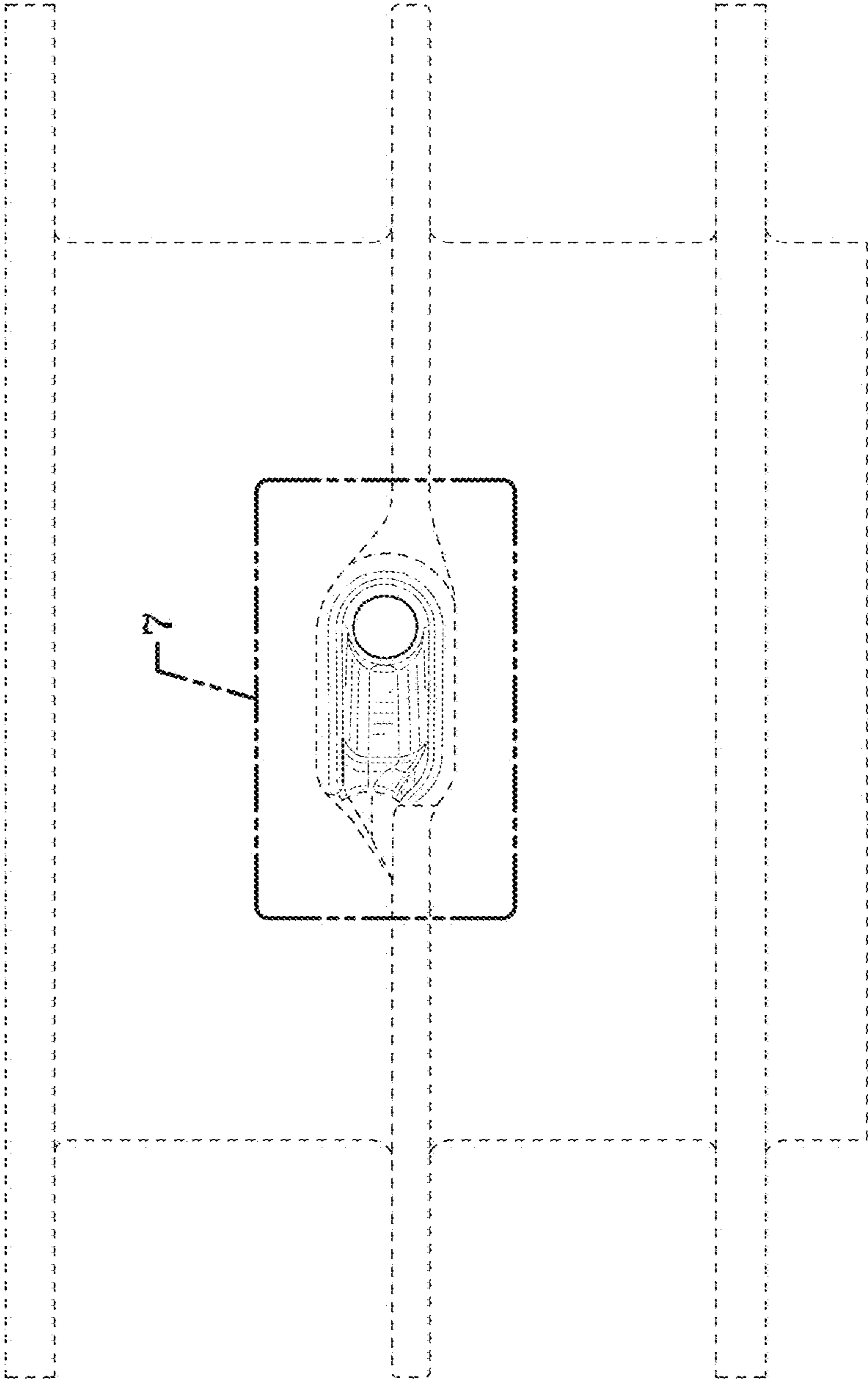


FIG. 4

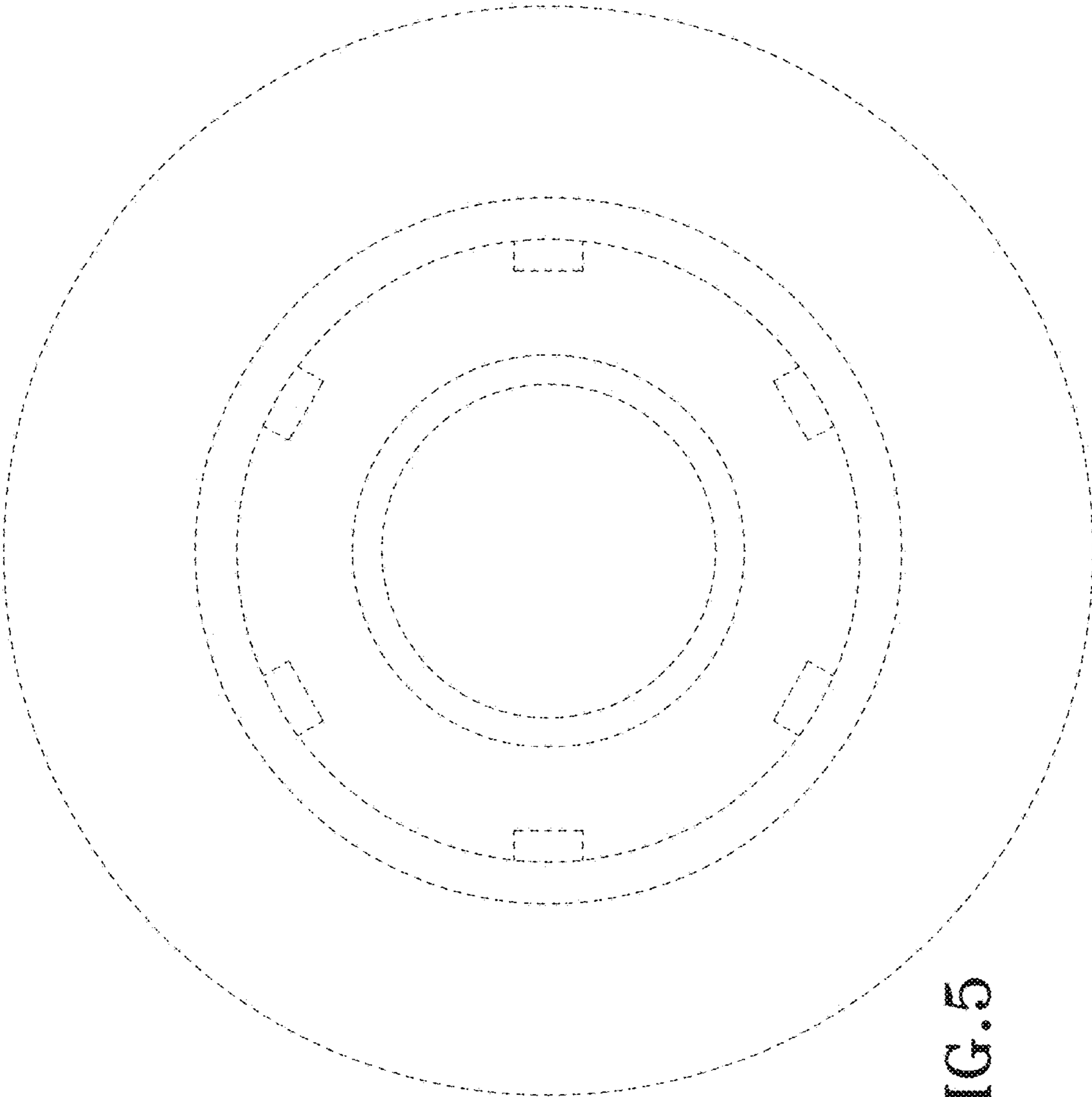


FIG. 5

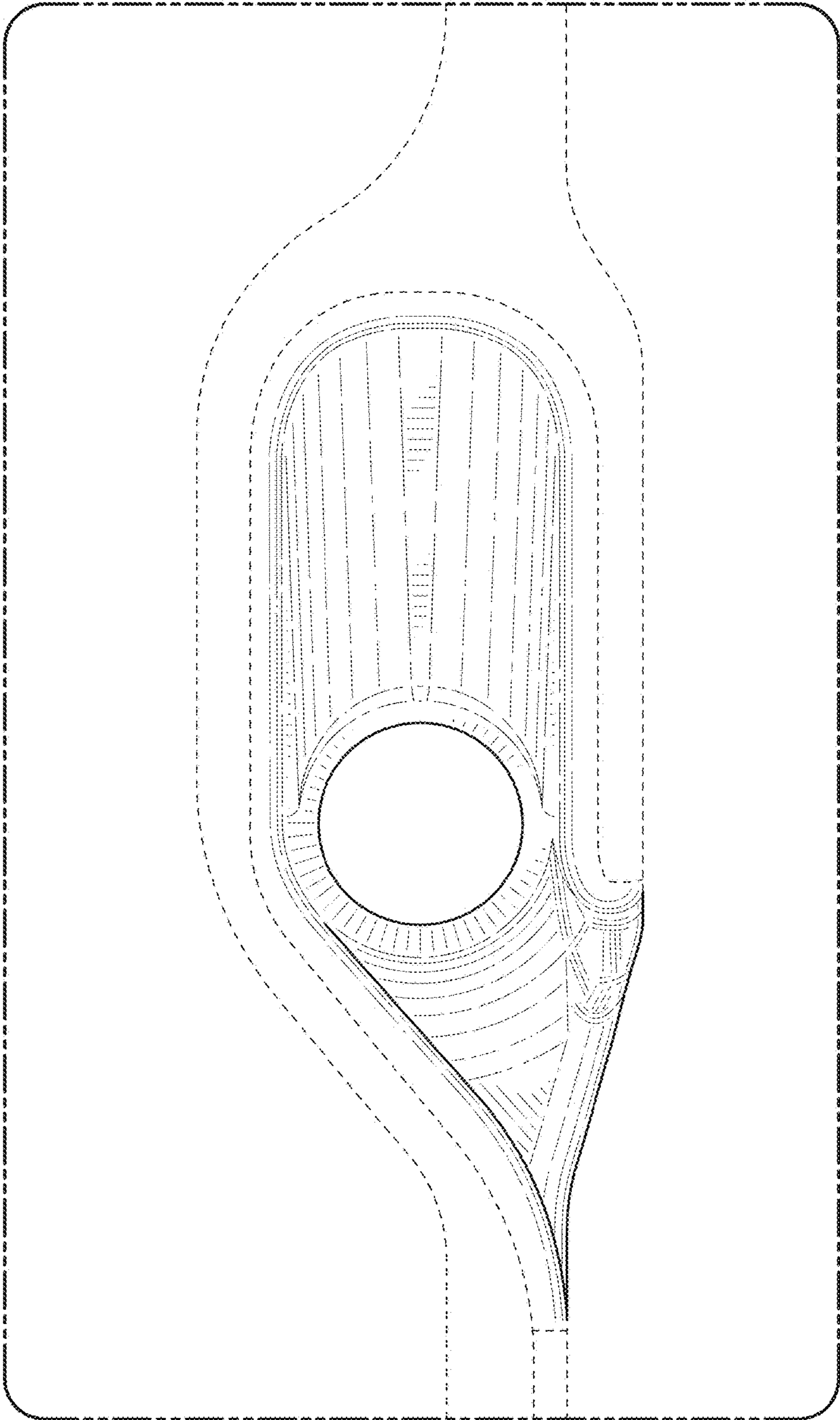


FIG. 6



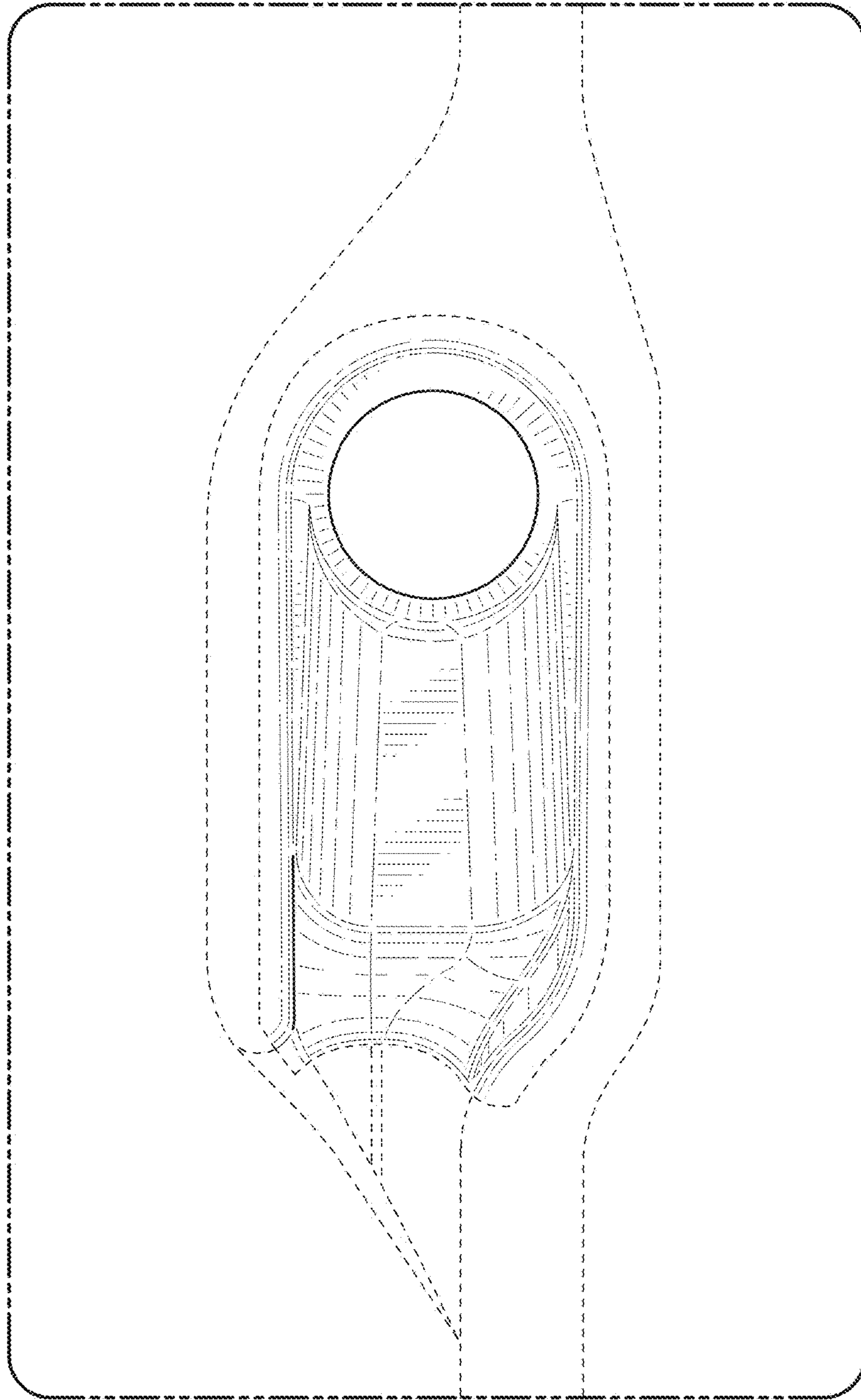


FIG. 7

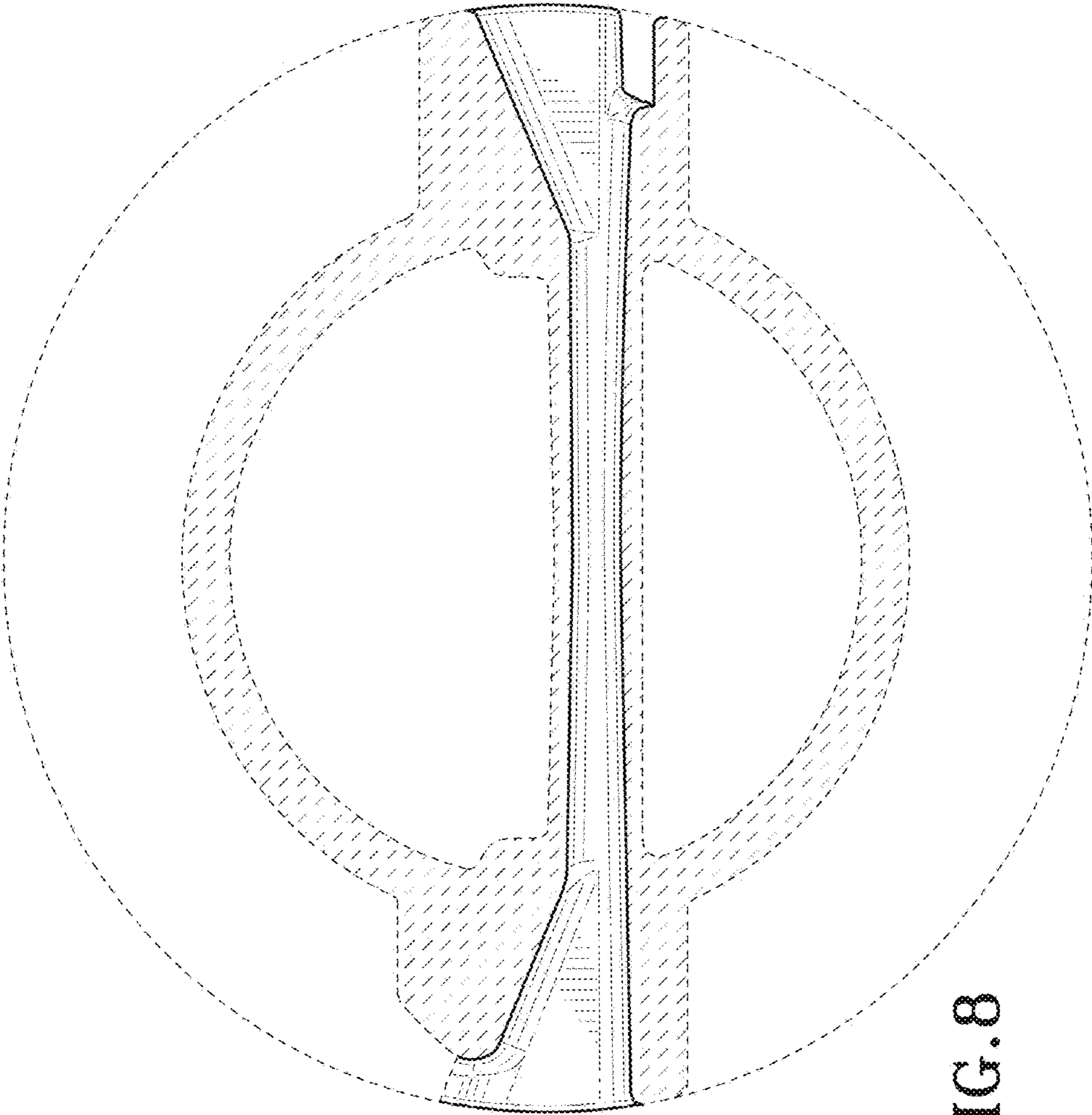


FIG. 8

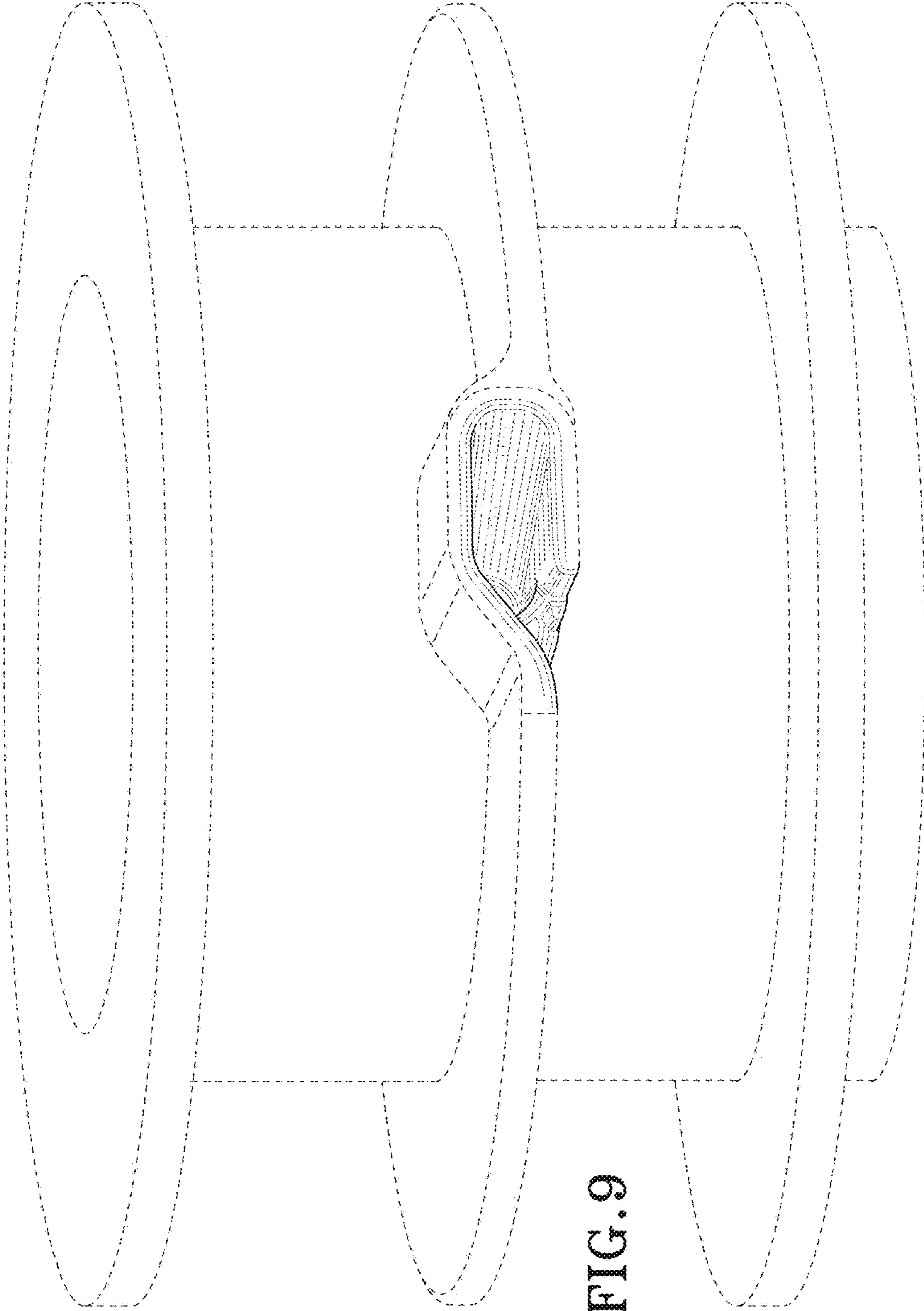


FIG. 9

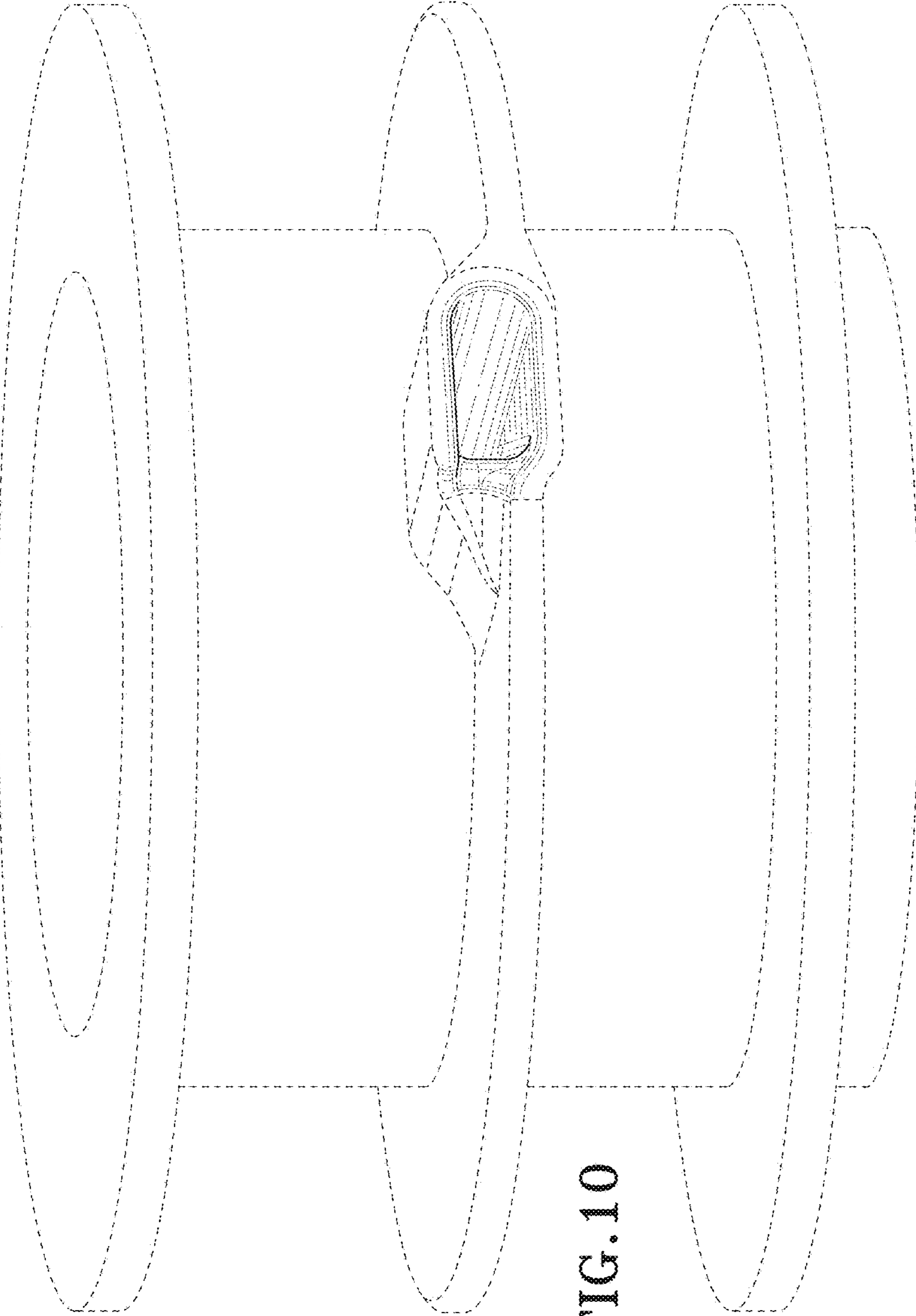


FIG. 10

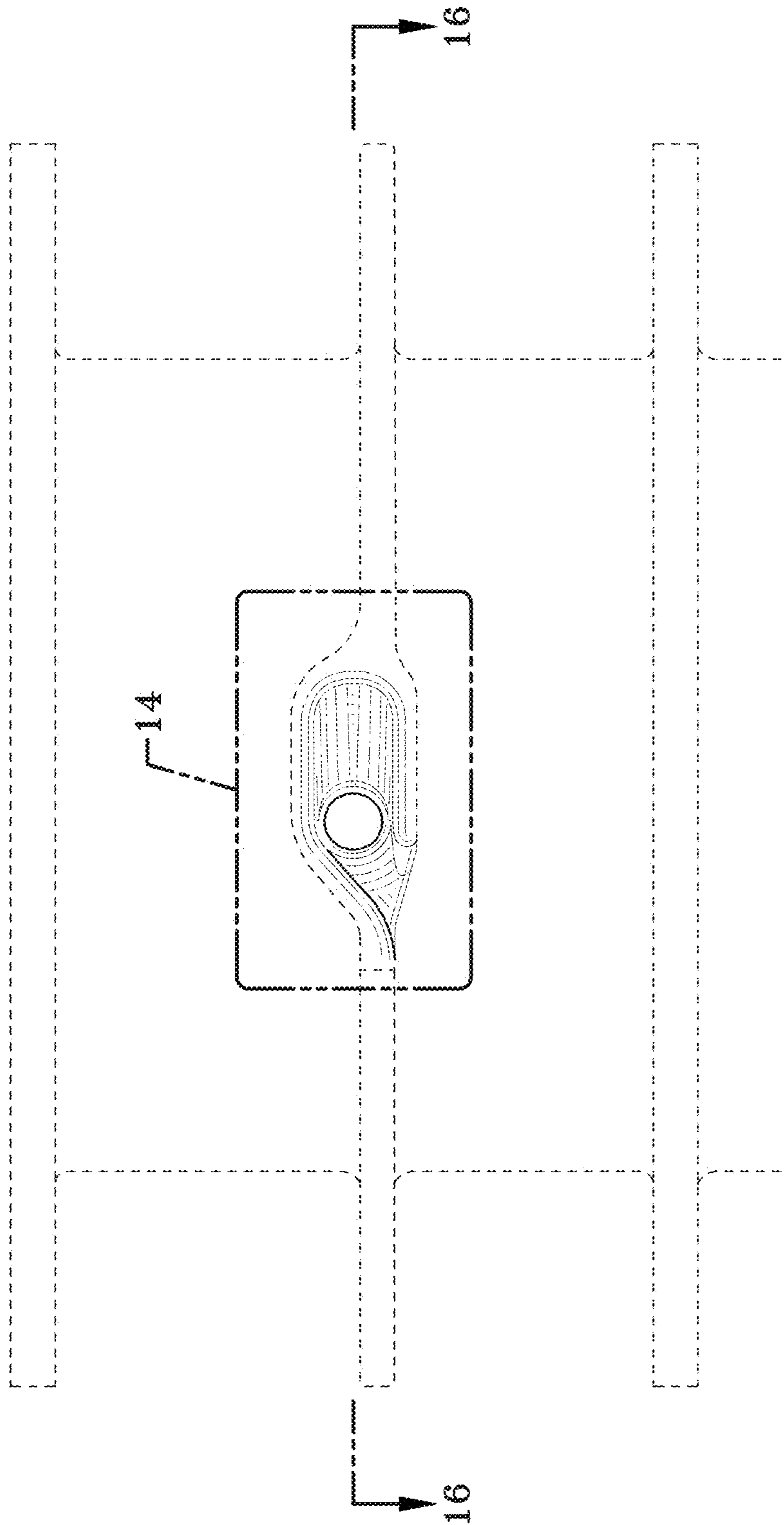


FIG. 11

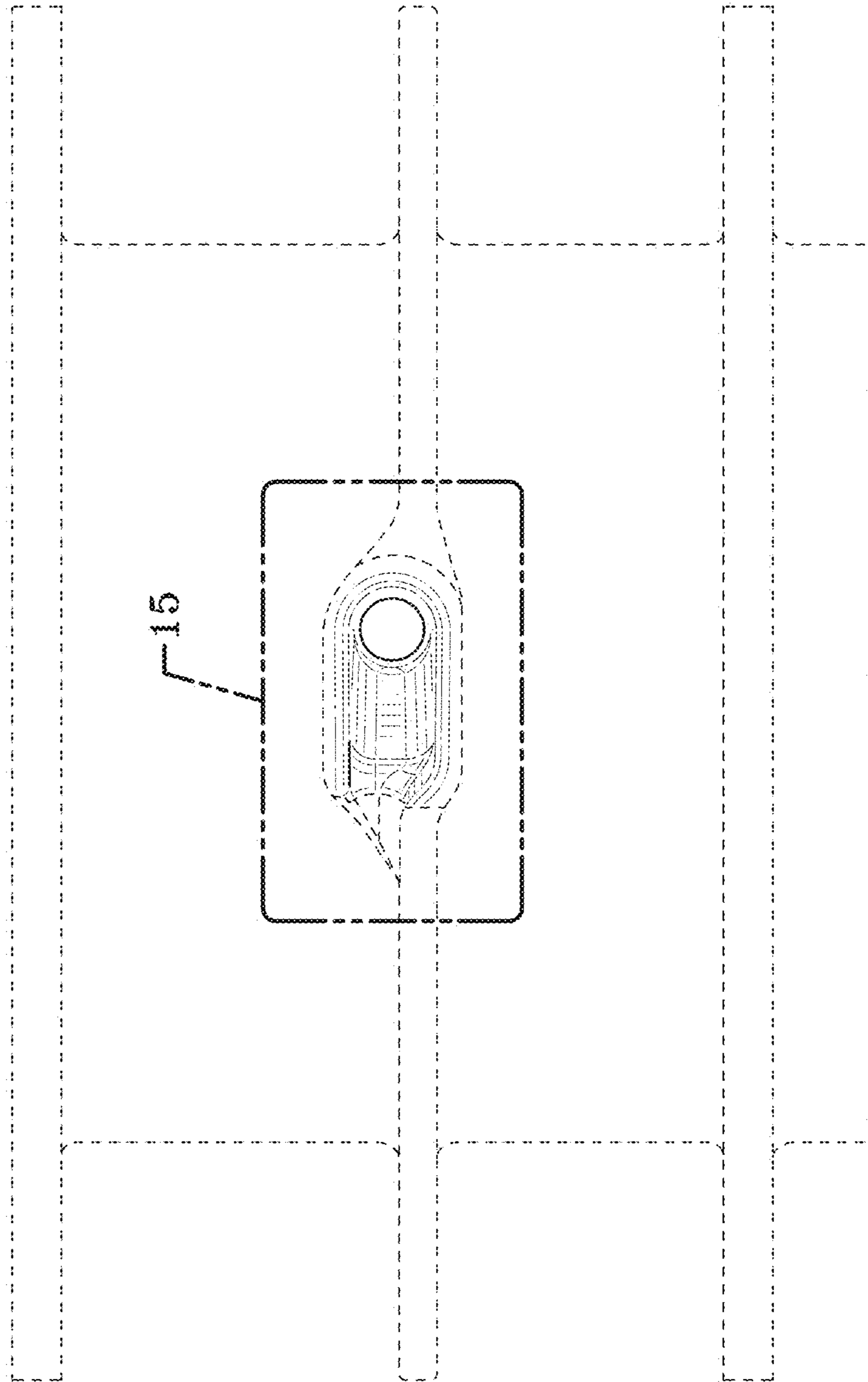


FIG. 12

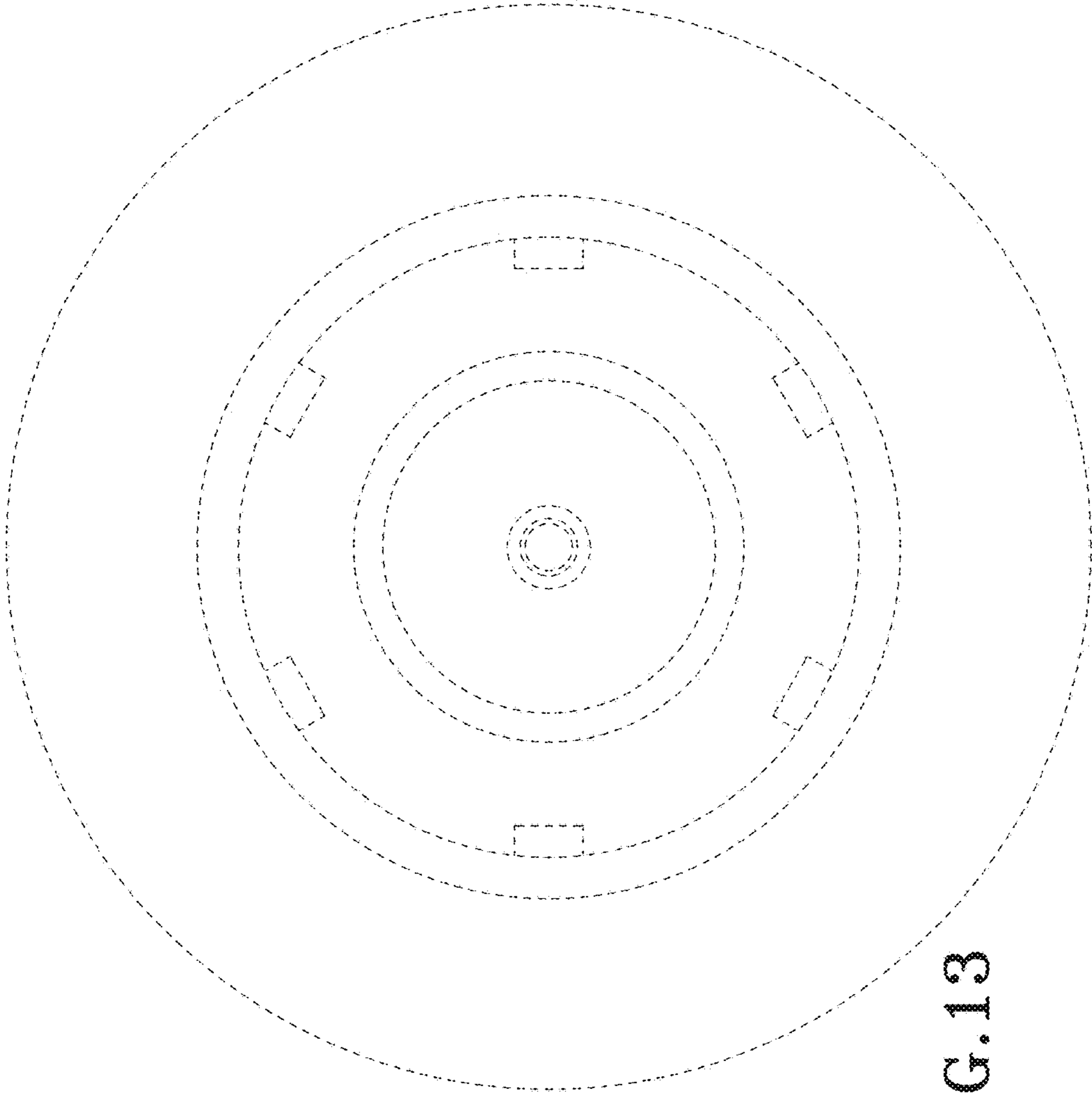


FIG. 13

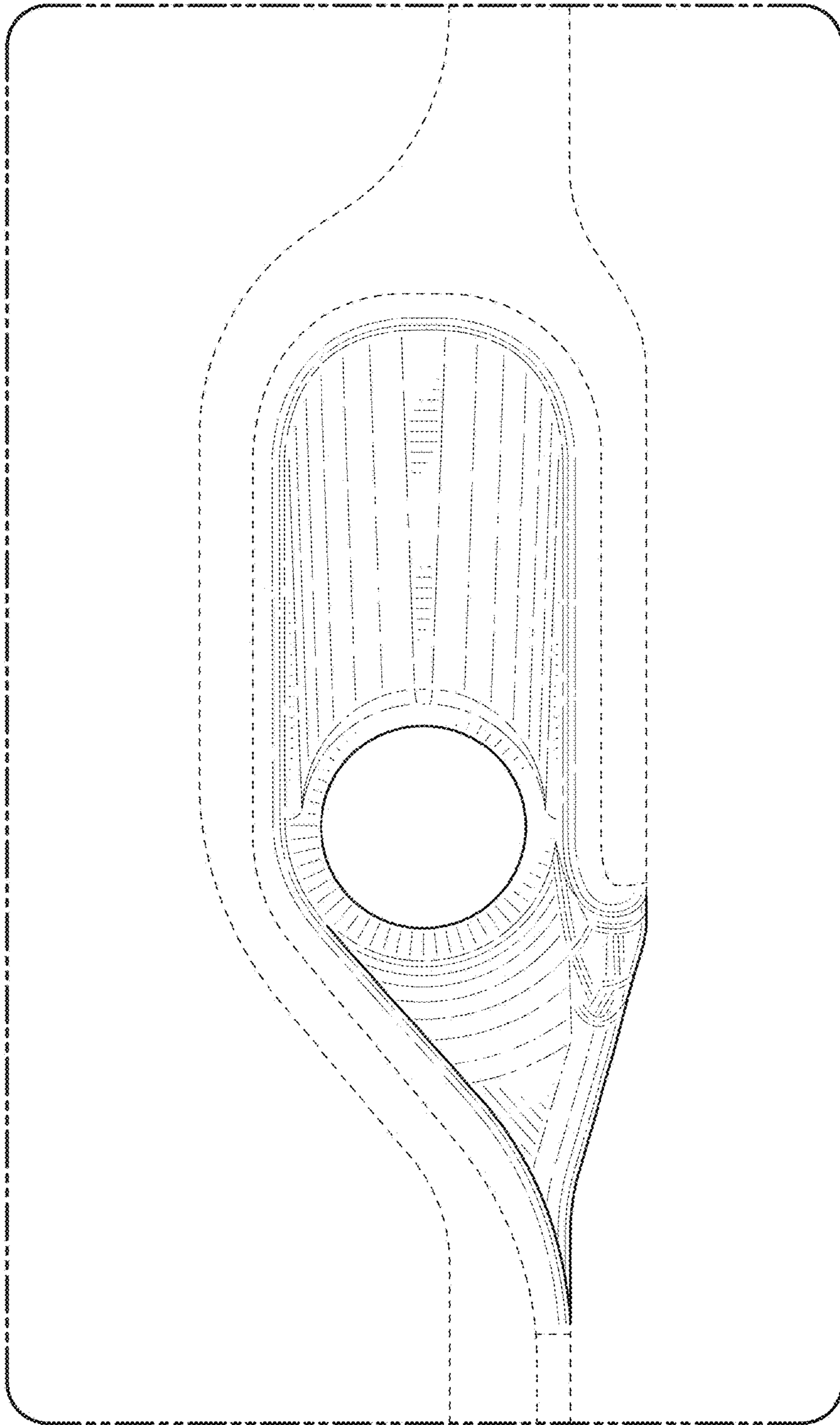


FIG. 14



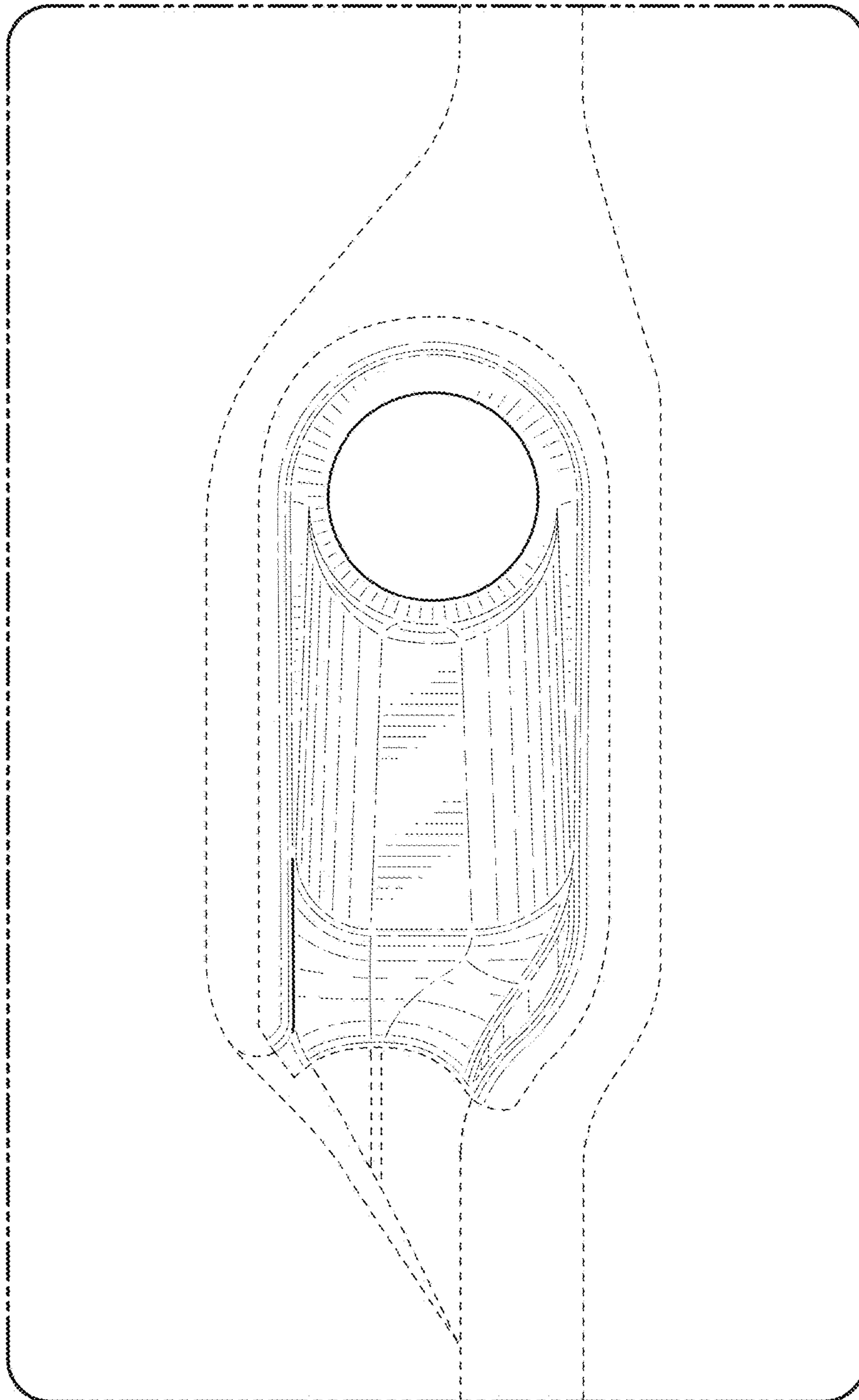


FIG. 15

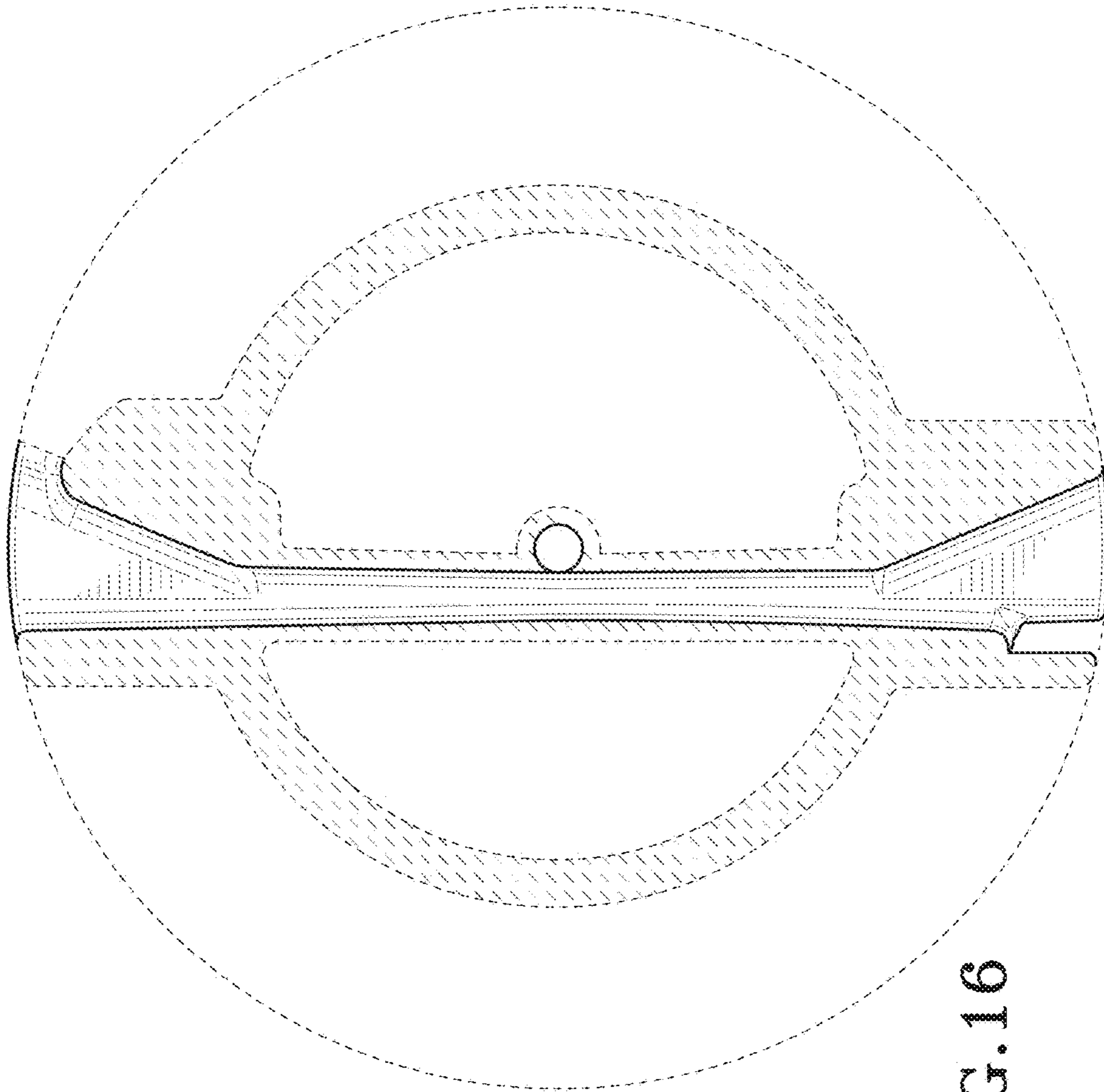


FIG. 16