

US00D825292S

(12) **United States Design Patent** (10) **Patent No.:** **US D825,292 S**
Black et al. (45) **Date of Patent:** **** Aug. 14, 2018**

(54) **SPIRAL RAKE FOR SPREADING SOLID MATERIALS**

D617,157 S * 6/2010 Eacker D8/1
D718,991 S * 12/2014 Jaskiewicz D8/1
D747,268 S * 1/2016 Kim D13/117

(71) Applicants: **Glen I Black**, Orange Park, FL (US);
Mark Kelly, Terrebonne (CA)

* cited by examiner

(72) Inventors: **Glen I Black**, Orange Park, FL (US);
Mark Kelly, Terrebonne (CA)

Primary Examiner — Sheryl Lane

(74) *Attorney, Agent, or Firm* — Mark Young, P.A.

(**) Term: **15 Years**

(57) **CLAIM**

The ornamental design for a spiral rake for spreading solid materials, as shown and described.

(21) Appl. No.: **29/618,192**

DESCRIPTION

(22) Filed: **Sep. 19, 2017**

(51) **LOC (11) Cl.** **08-01**

(52) **U.S. Cl.**
USPC **D8/1**

(58) **Field of Classification Search**
USPC D8/1, 6, 7, 11, 13, 9; D15/11
CPC A01B 1/14; A01B 1/22; A01B 1/06; A01B 1/243; A01B 1/20; A01G 20/30
See application file for complete search history.

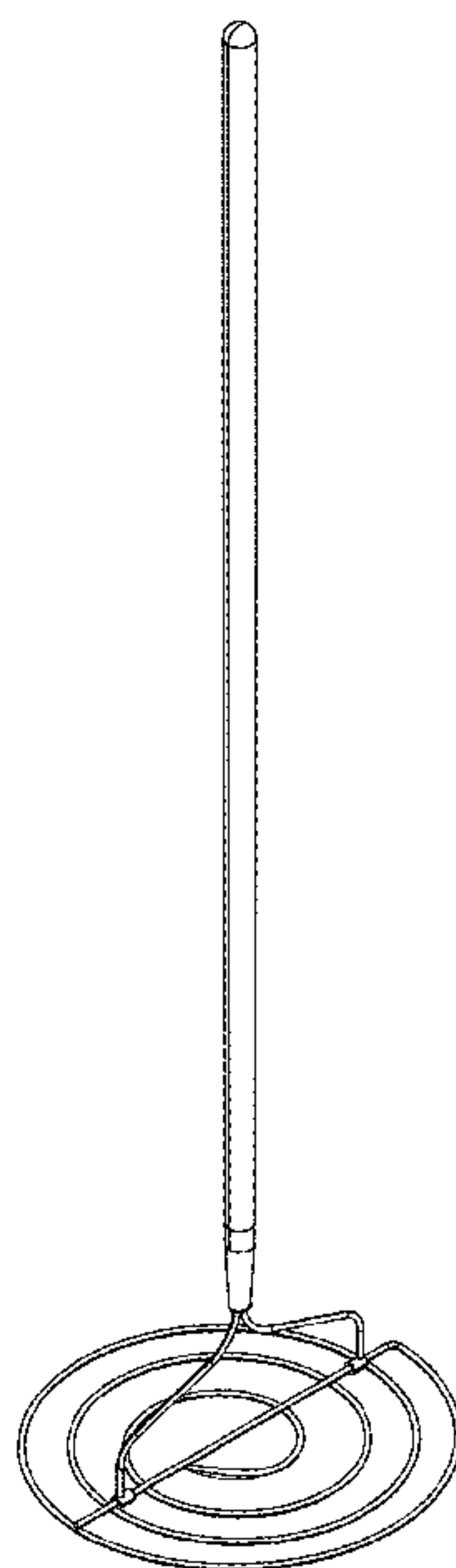
FIG. 1 provides a front view of the spiral rake.
FIG. 2 provides a left side view of the spiral rake.
FIG. 3 provides a bottom view of the spiral rake.
FIG. 4 provides a right view of the spiral rake.
FIG. 5 provides a back view of the spiral rake.
FIG. 6 provides a right side view of the spiral rake.
FIG. 7 provides a first top perspective view of the spiral rake.
FIG. 8 provides a second top perspective view of the spiral rake.
FIG. 9 provides a third top perspective view of the spiral rake.
FIG. 10 provides a fourth top perspective view of the spiral rake.
FIG. 11 provides a first bottom perspective view of the spiral rake.
FIG. 12 provides a second bottom perspective view of the spiral rake.
FIG. 13 provides a third bottom perspective view of the spiral rake; and,
FIG. 14 provides a fourth bottom perspective view of the spiral rake.

(56) **References Cited**

U.S. PATENT DOCUMENTS

2,021,303 A * 11/1935 Grennan A01G 9/122
47/47
2,079,332 A * 5/1937 Overly A01G 9/12
248/156
2,520,818 A * 8/1950 Terry A45F 3/44
248/153
2,650,454 A * 9/1953 Wurdinger A01G 17/08
174/158 F
D281,248 S * 11/1985 Johde D15/29
D414,662 S * 10/1999 Kerns D8/1
6,195,926 B1 * 3/2001 Jarl G09F 3/08
248/87
D463,699 S * 10/2002 Gilbert D6/546

1 Claim, 14 Drawing Sheets



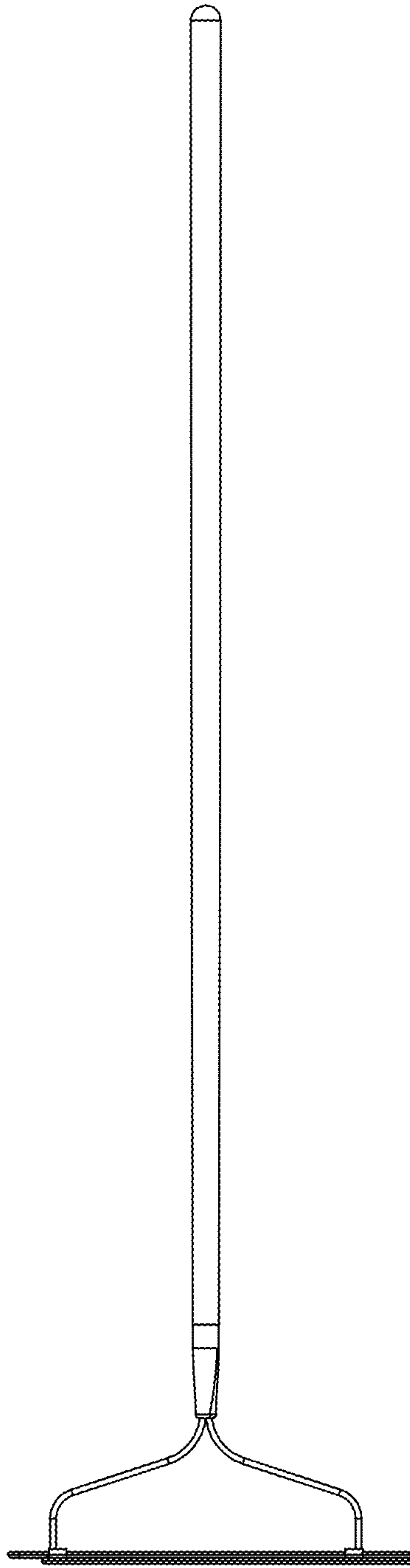


FIG. 1

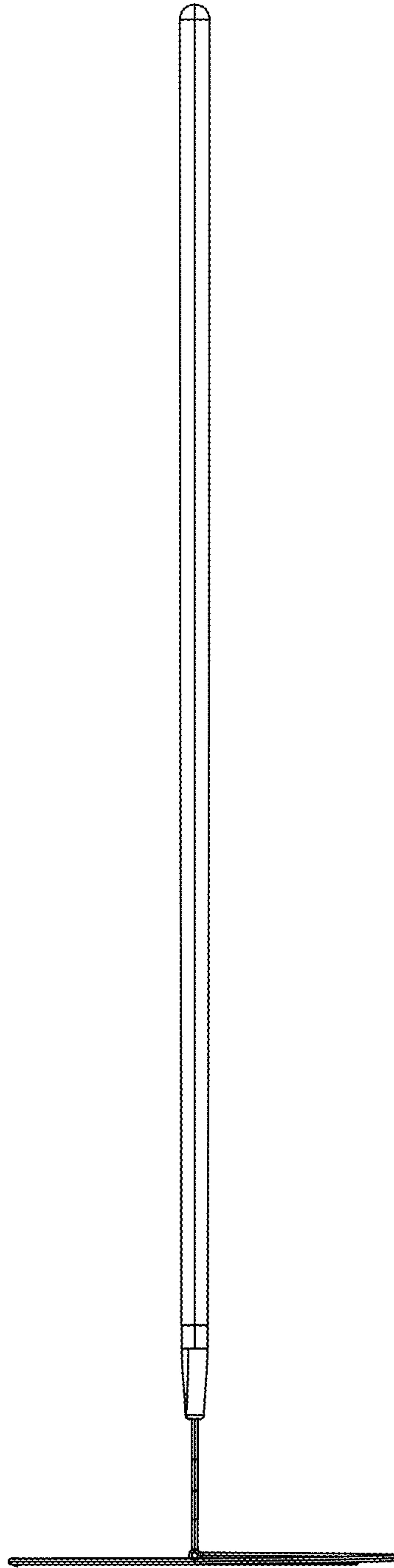


FIG. 2

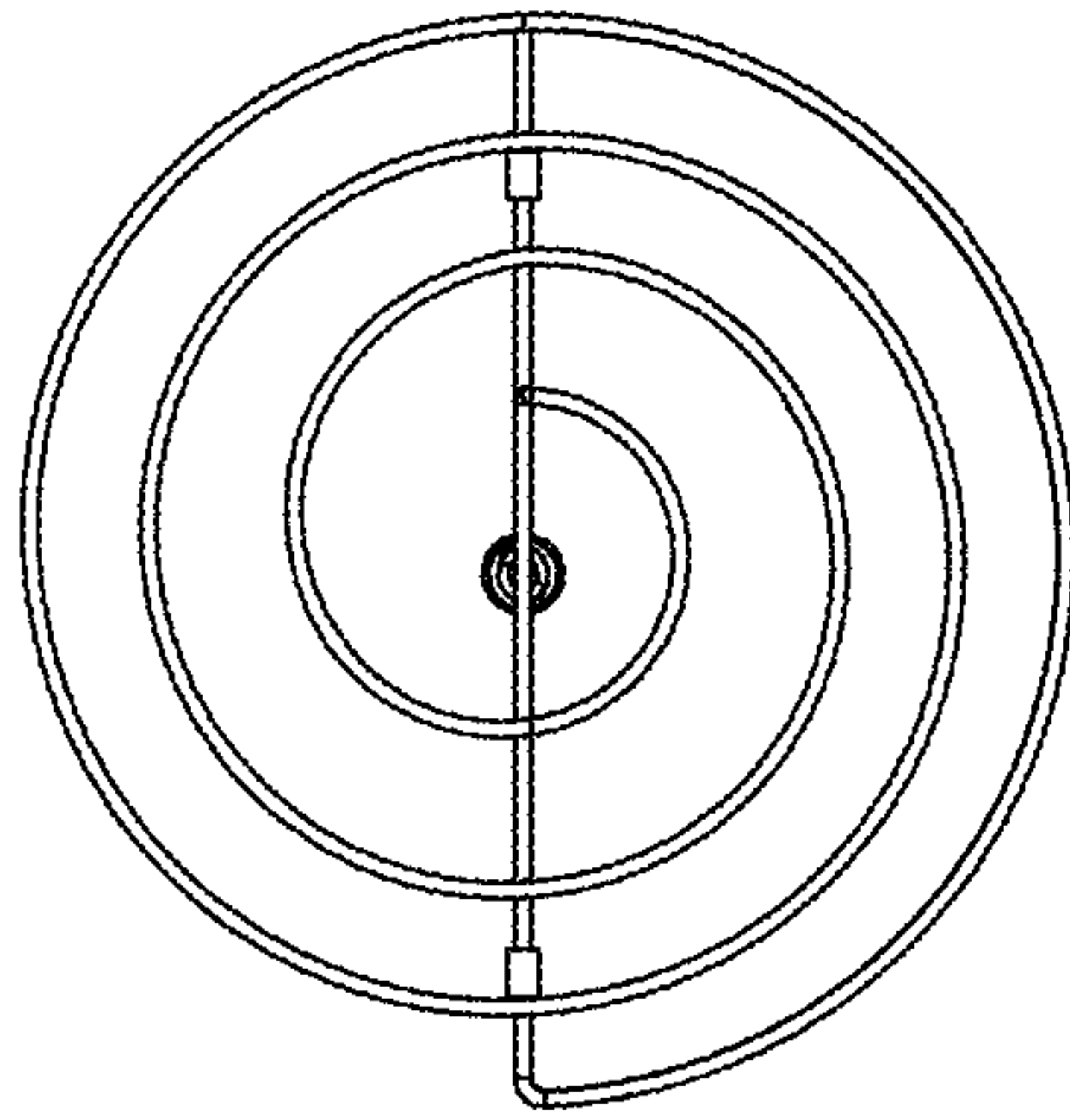


FIG. 3

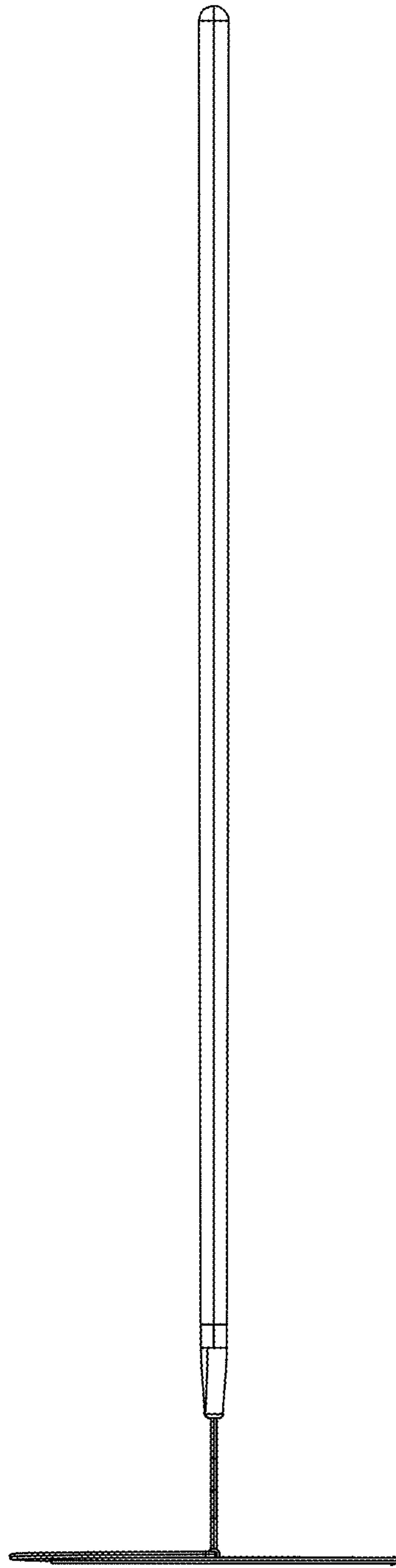


FIG. 4

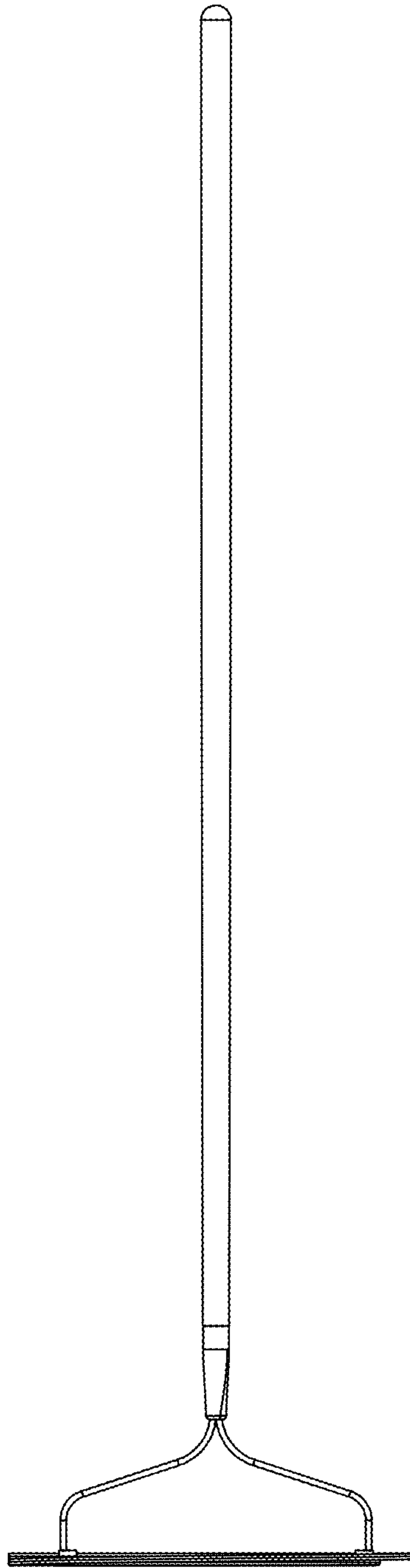


FIG. 5

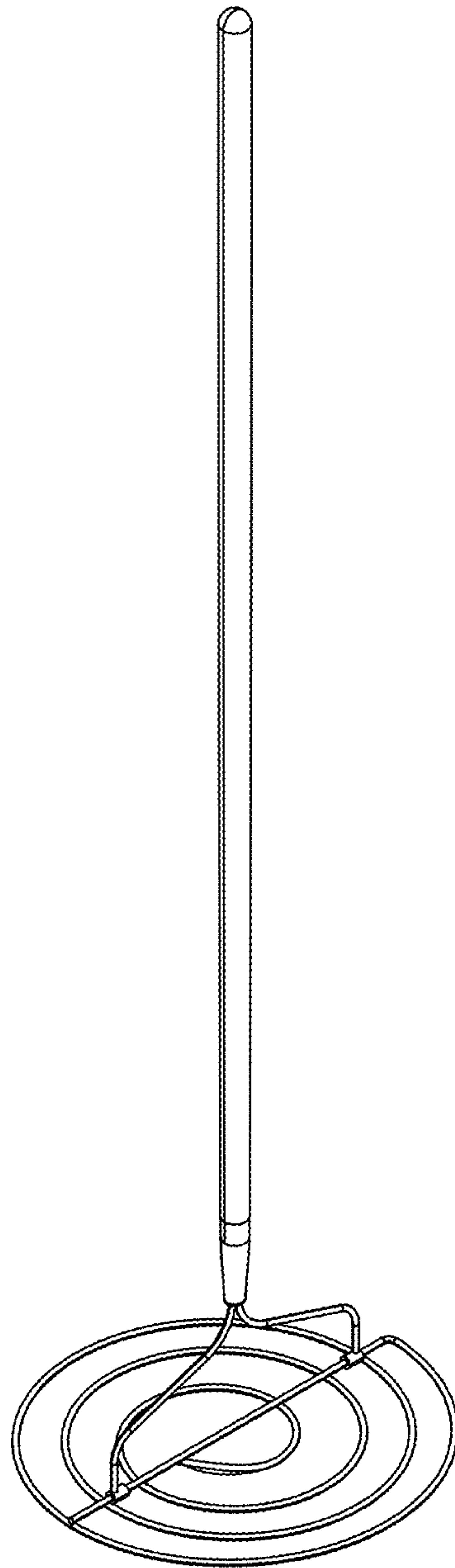


FIG. 6

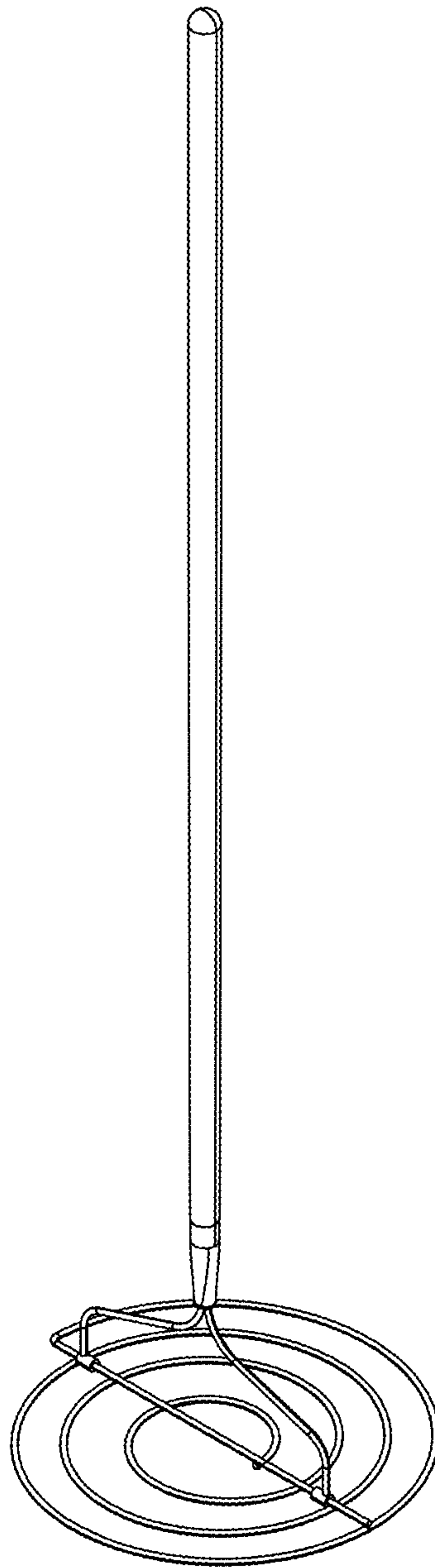


FIG. 7

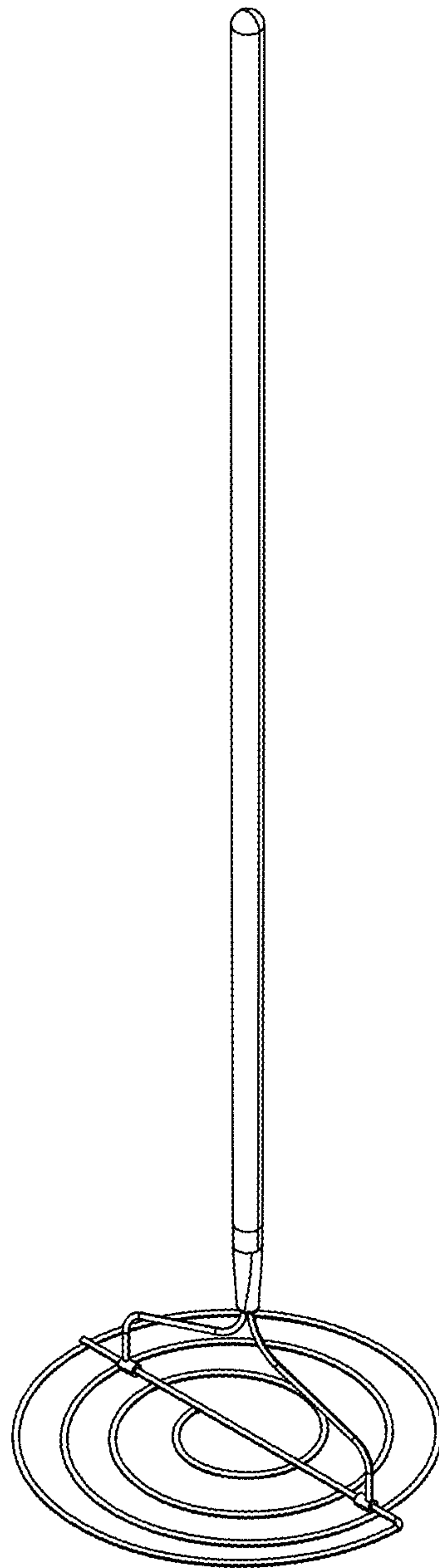


FIG. 8

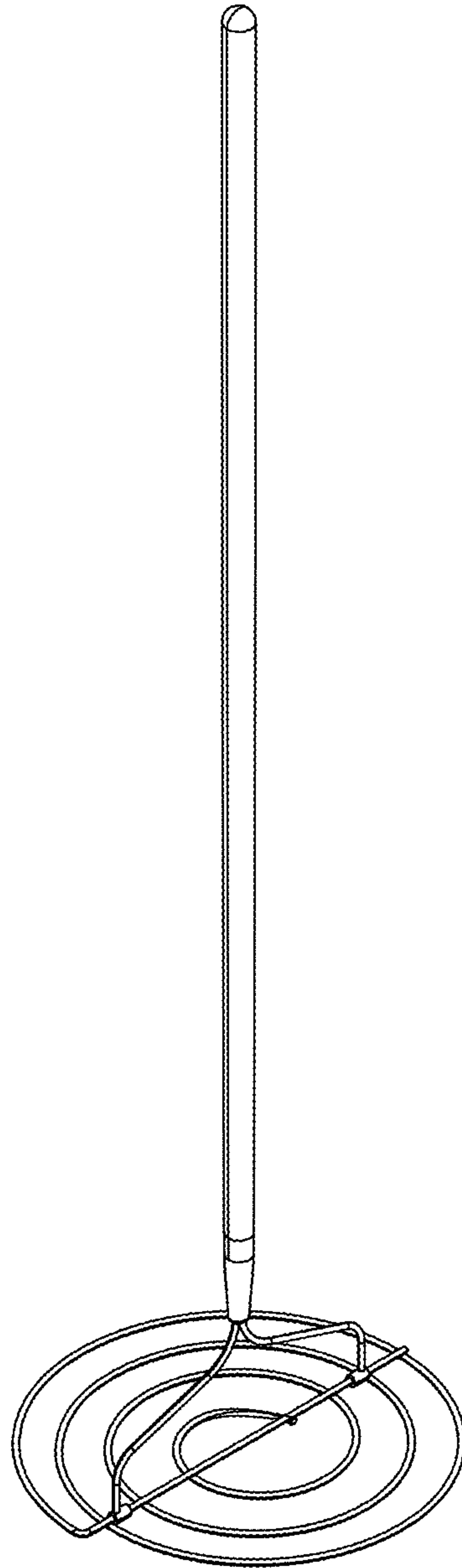


FIG. 9

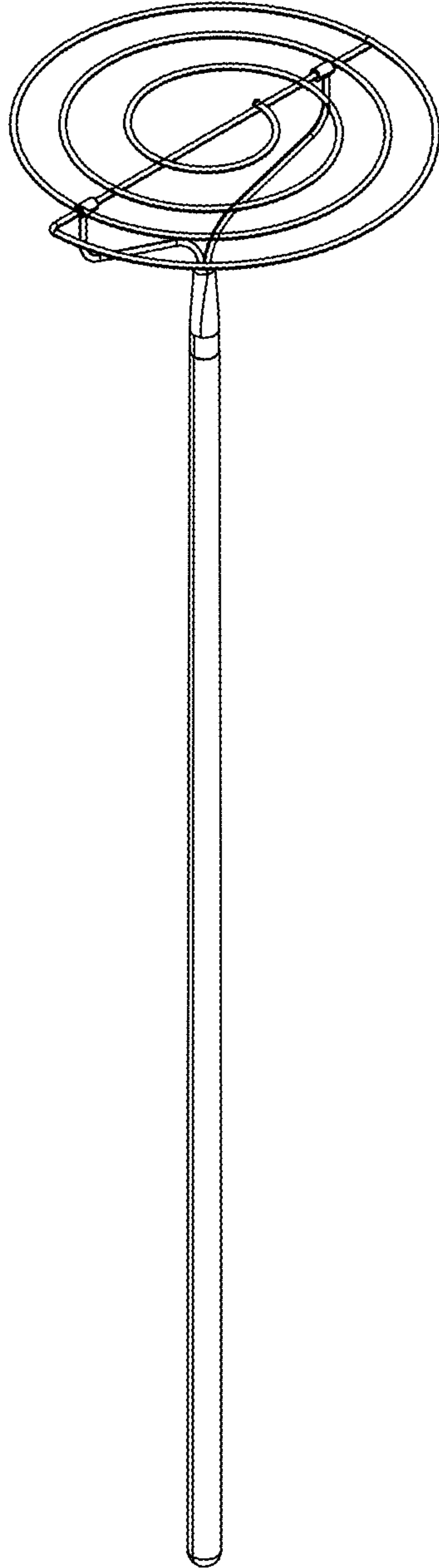


FIG. 10

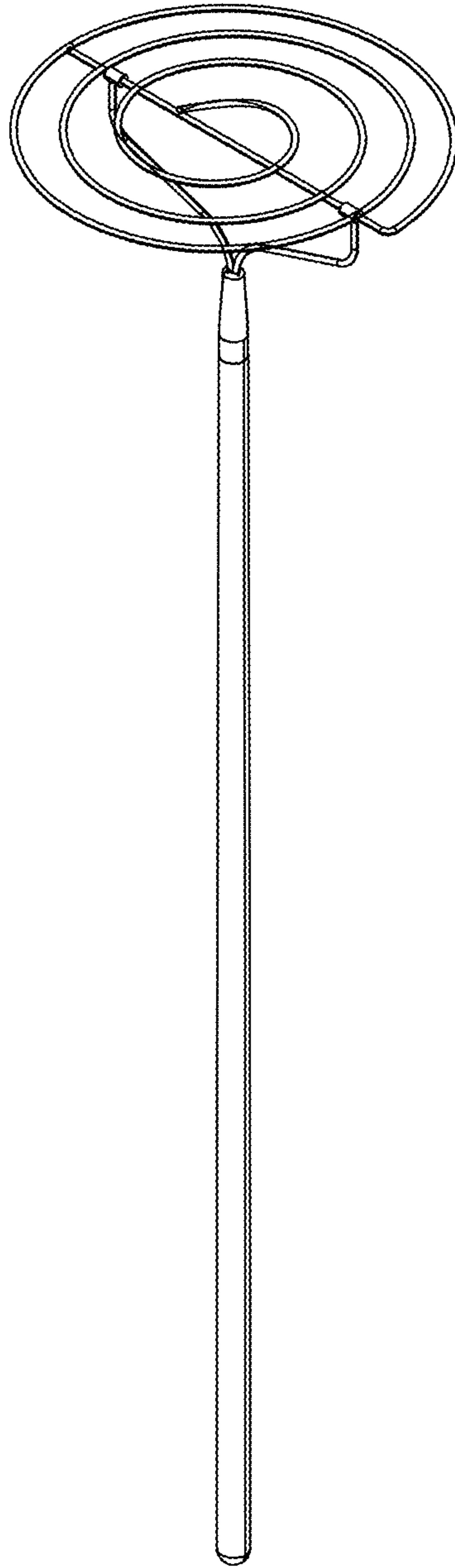


FIG. 11

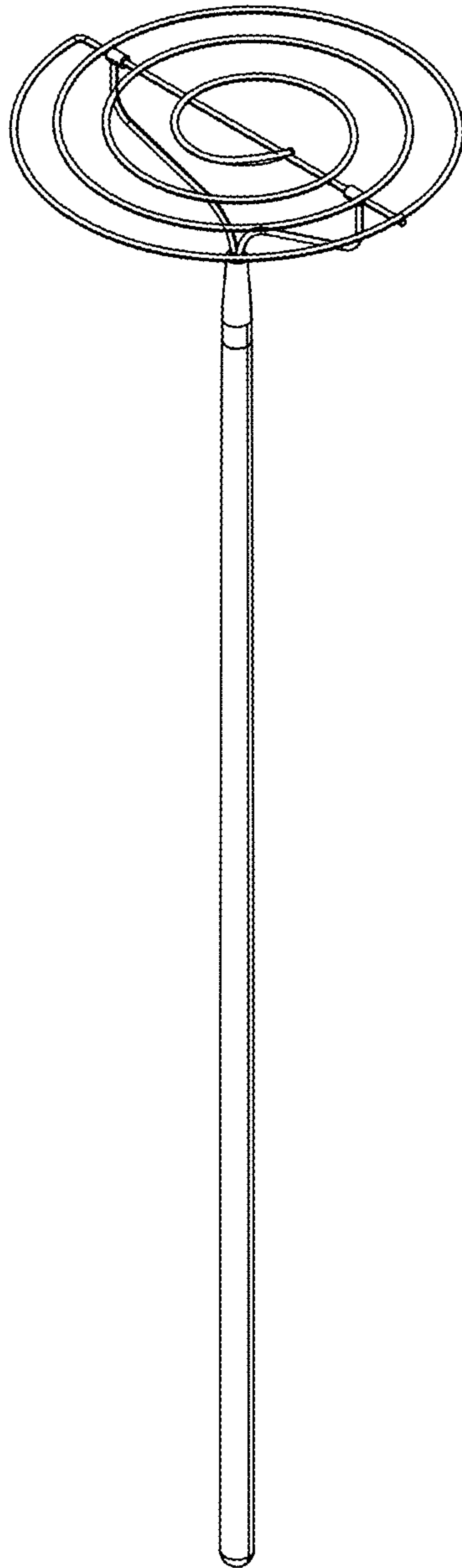


FIG. 12

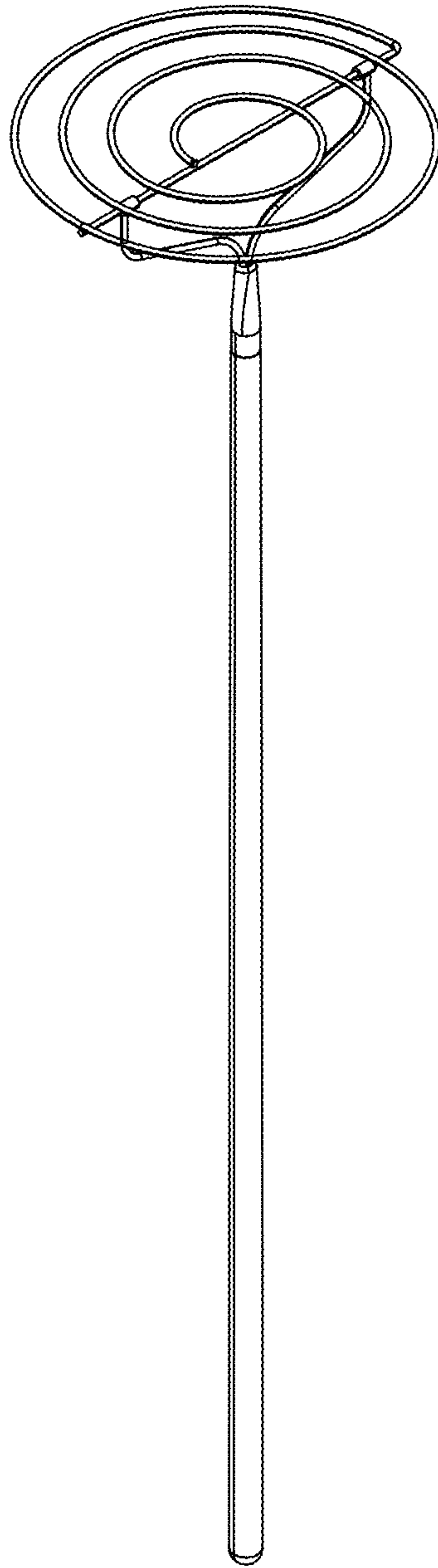


FIG. 13

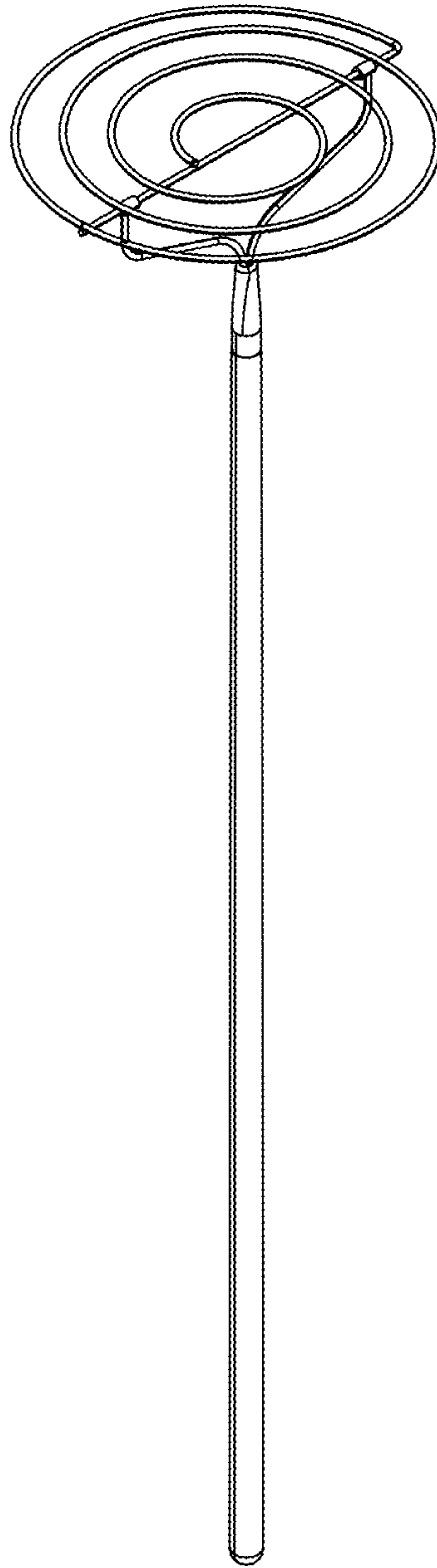


FIG. 14