

US00D825291S

(12) **United States Design Patent**  
**McDaniel**

(10) **Patent No.:** **US D825,291 S**

(45) **Date of Patent:** **\*\* Aug. 14, 2018**

(54) **TREE STAND STABILIZER**

D747,633 S \* 1/2016 Holfeld ..... D8/1

\* cited by examiner

(71) Applicant: **Mike Todd McDaniel**, Leesburg, GA  
(US)

*Primary Examiner* — Sheryl Lane

(72) Inventor: **Mike Todd McDaniel**, Leesburg, GA  
(US)

(74) *Attorney, Agent, or Firm* — Withers & Keys, LLC

(\*\*) Term: **15 Years**

(57) **CLAIM**

The ornamental design for a tree stand stabilizer, as shown and described.

(21) Appl. No.: **29/595,452**

**DESCRIPTION**

(22) Filed: **Feb. 28, 2017**

(51) **LOC (11) Cl.** ..... **08-01**

(52) **U.S. Cl.**  
USPC ..... **D8/1**

(58) **Field of Classification Search**  
USPC ..... D8/1; D23/259, 217; D10/52; D25/131  
CPC .... E04H 12/2215; A01G 25/06; A01G 25/00;  
A01G 29/00  
See application file for complete search history.

FIG. 1 is a perspective view of a tree stand stabilizer showing my new design;  
FIG. 2 is a left-side view of the tree stand stabilizer shown in FIG. 1;  
FIG. 3 is a right-side view of the tree stand stabilizer shown in FIG. 1;  
FIG. 4 is a rear view of the tree stand stabilizer shown in FIG. 1;  
FIG. 5 is a frontal view of the tree stand stabilizer shown in FIG. 1;  
FIG. 6 is a top view of the tree stand stabilizer shown in FIG. 2;  
FIG. 7 is a bottom view of the tree stand stabilizer shown in FIG. 2; and,  
FIG. 8 is a left-side view of the tree stand stabilizer shown in FIG. 1 when in a folded, storage configuration.

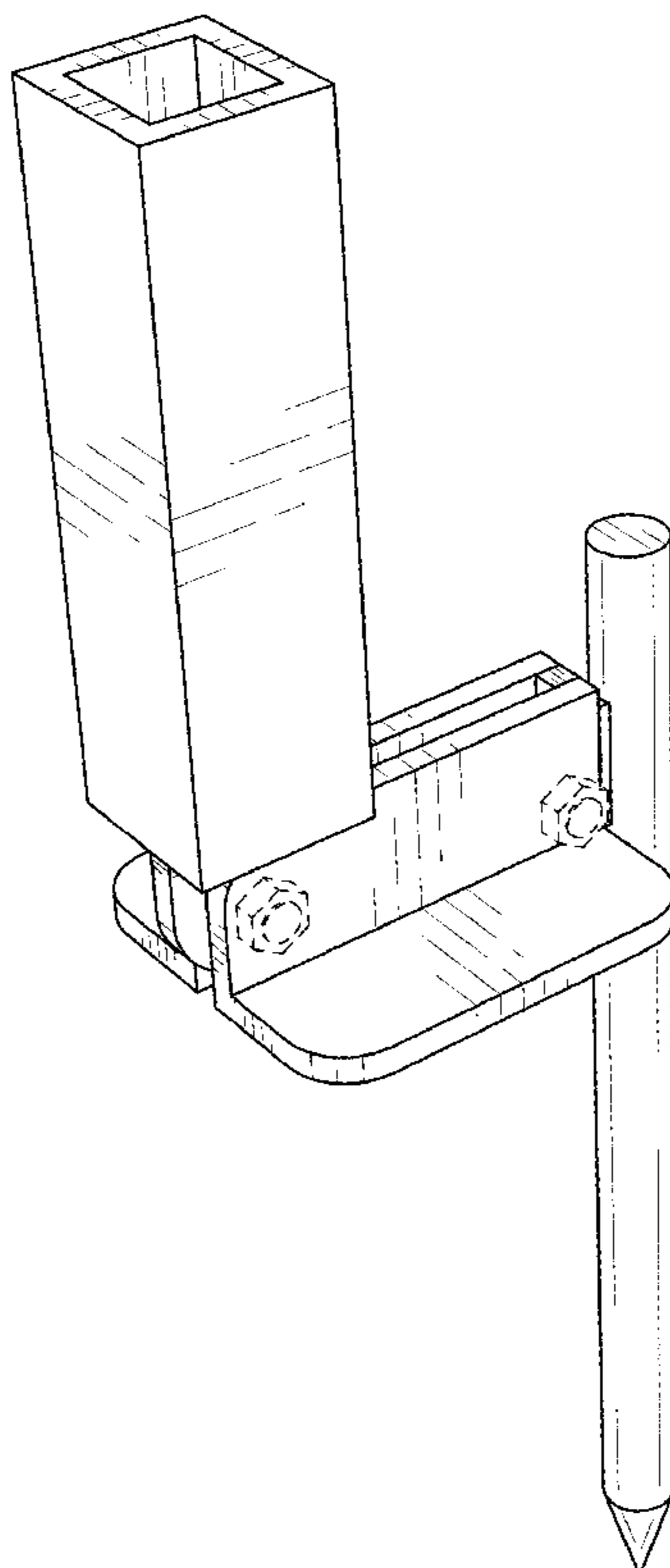
The dashed lines represent environment and form no part of the claimed design. The dash-dot-dash lines in FIG. 6 represent boundaries and form no part of the claimed design.

(56) **References Cited**

**U.S. PATENT DOCUMENTS**

- 4,588,157 A \* 5/1986 Mills ..... E04H 12/2215  
248/530
- D424,713 S \* 5/2000 Blackwell ..... D25/131
- D481,444 S \* 10/2003 Guo ..... D23/217
- D572,986 S \* 7/2008 Zhu ..... D8/1
- D682,054 S \* 5/2013 Gary ..... D8/1
- D717,617 S \* 11/2014 Pascuzzo ..... D8/1

**1 Claim, 8 Drawing Sheets**



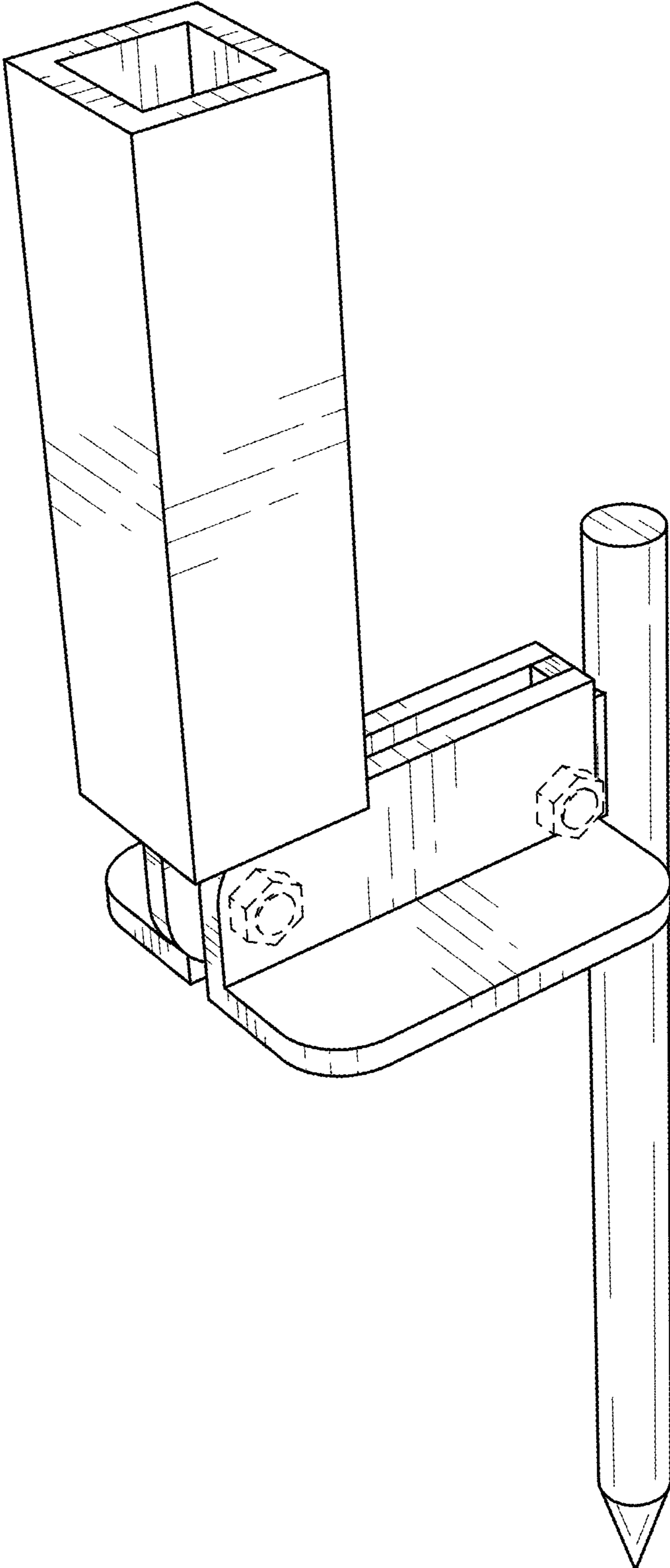


FIG. 1

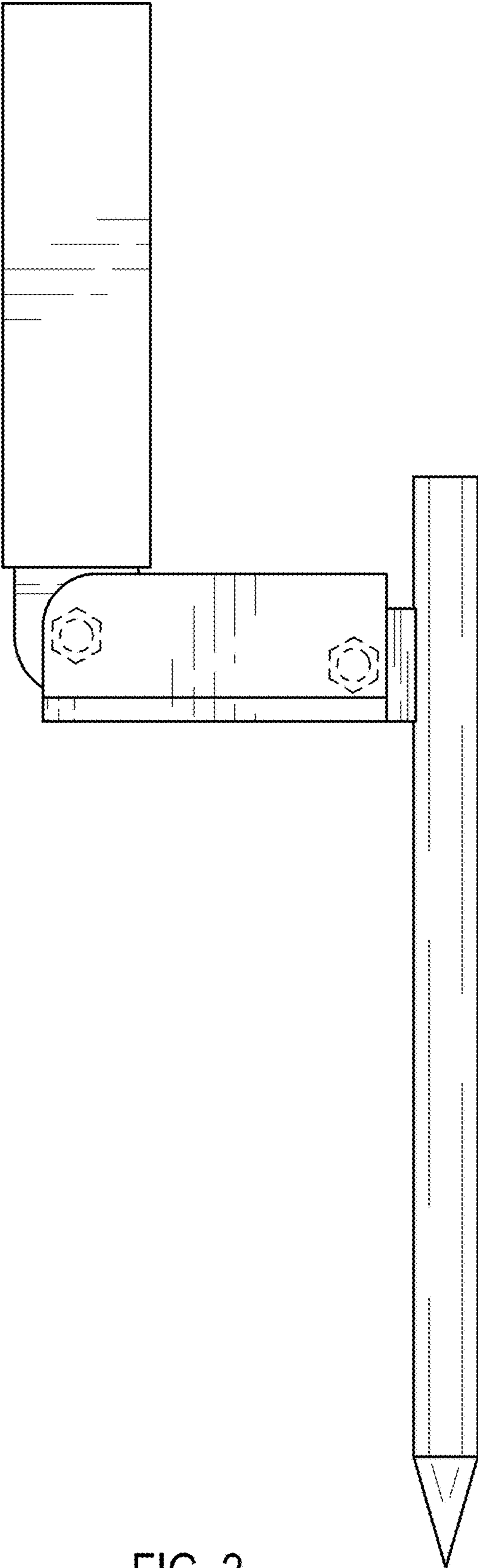


FIG. 2

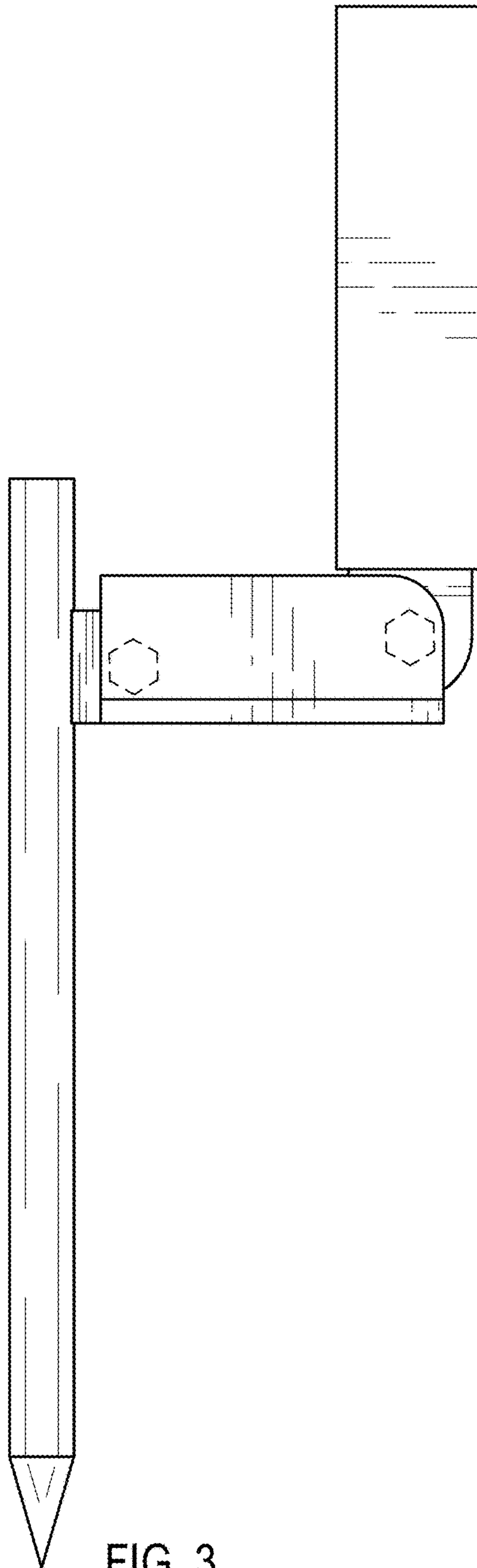


FIG. 3

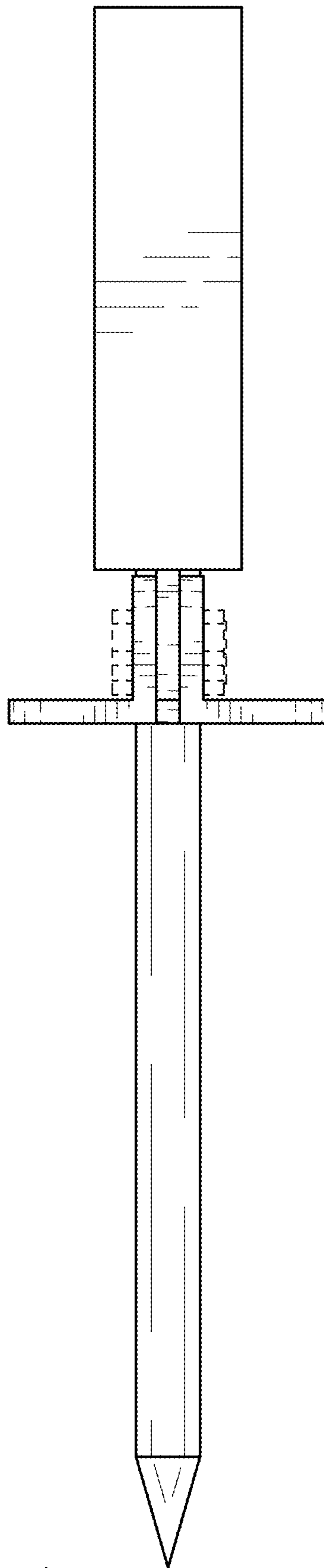


FIG. 4

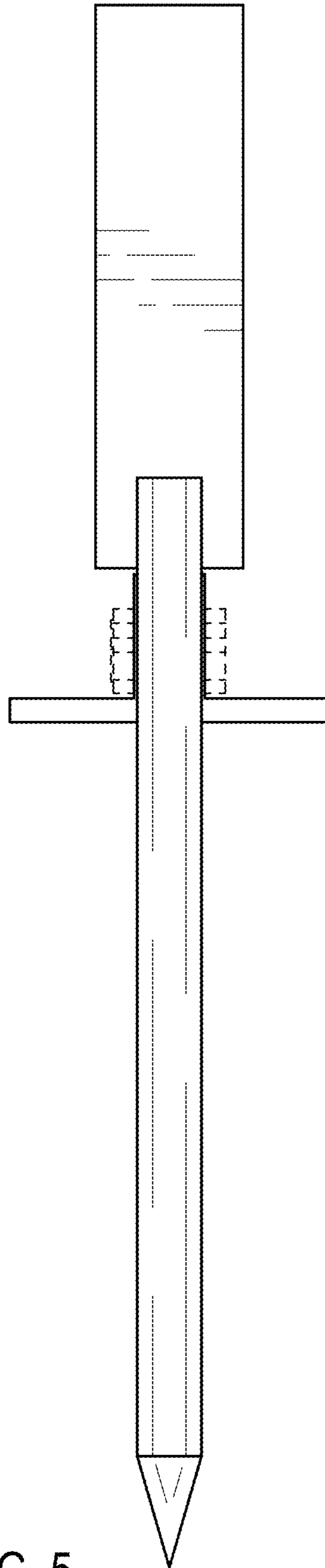


FIG. 5

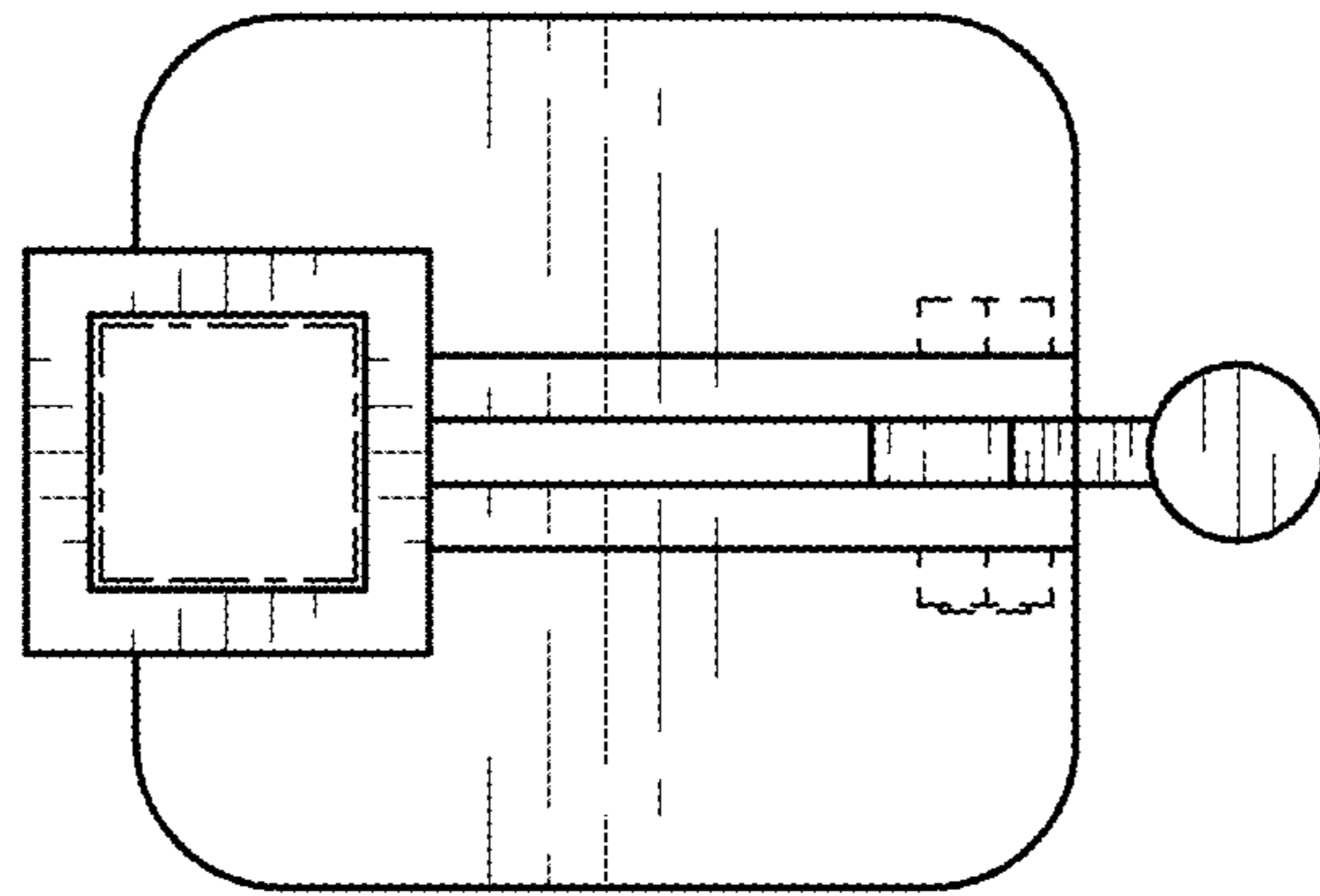


FIG. 6

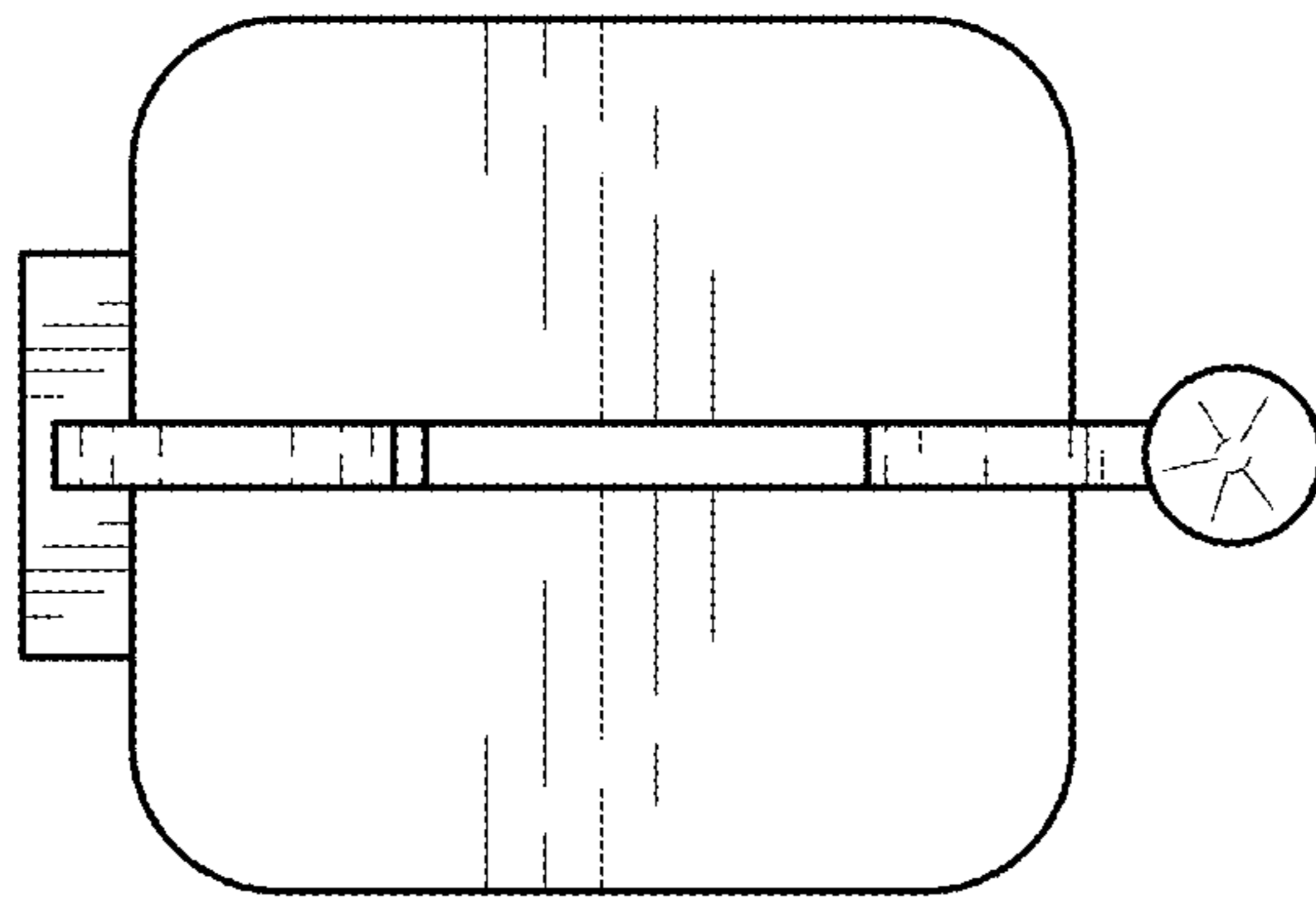


FIG. 7



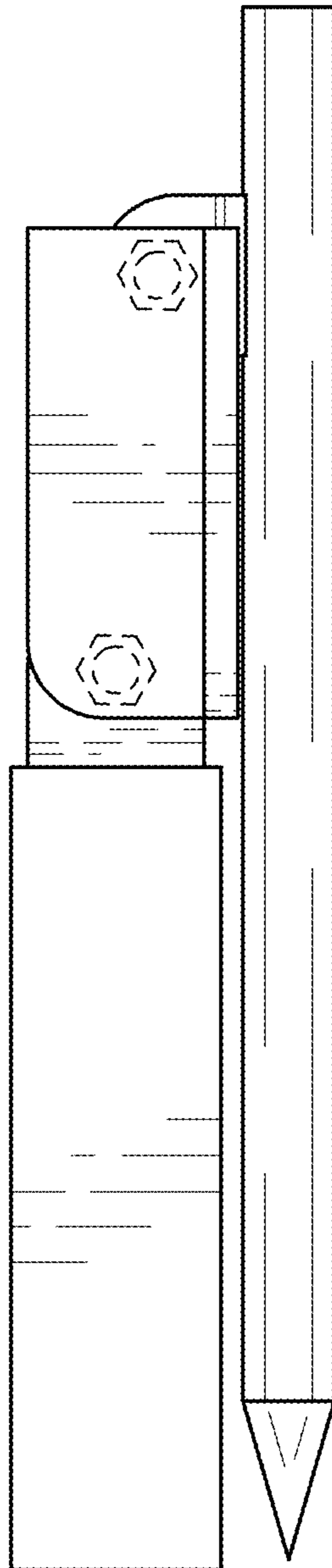


FIG. 8