

US00D825289S

(12) **United States Design Patent**
de Martrin-Donos

(10) **Patent No.:** **US D825,289 S**

(45) **Date of Patent:** **** Aug. 14, 2018**

(54) **APPLE CORER**

4,310,969 A * 1/1982 Cannizzaro A47J 25/00
30/113.1

(71) Applicant: **Helen of Troy Limited**, Belleville, St. Michael (BB)

D461,691 S * 8/2002 Huang D7/693
D762,093 S * 7/2016 Wong D7/693

(72) Inventor: **Francois de Martrin-Donos**, Brooklyn, NY (US)

* cited by examiner

(73) Assignee: **Helen of Troy Limited**, St. Michael (BB)

Primary Examiner — Terry A Wallace

(74) *Attorney, Agent, or Firm* — Rankin, Hill & Clark LLP

(**) Term: **15 Years**

(21) Appl. No.: **29/597,060**

(57) **CLAIM**

(22) Filed: **Mar. 14, 2017**

The ornamental design for an apple corer, as shown and described.

(51) **LOC (11) Cl.** **07-04**

(52) **U.S. Cl.**

USPC **D7/696**

(58) **Field of Classification Search**

USPC D7/680–696, 393, 395, 368, 669
CPC .. A47J 17/02; A47J 17/00; A47J 17/04; A47J
17/06; A47J 17/08; A47J 43/28; A47J
43/00; B26D 3/00; B26D 3/24

See application file for complete search history.

DESCRIPTION

FIG. 1 is a perspective view of an apple corer;
FIG. 2 is a front elevation view thereof;
FIG. 3 is a rear elevation view thereof;
FIG. 4 is a right side elevation view thereof;
FIG. 5 is a left side elevation view thereof;
FIG. 6 is a top plan view thereof; and,
FIG. 7 is a bottom plan view thereof.

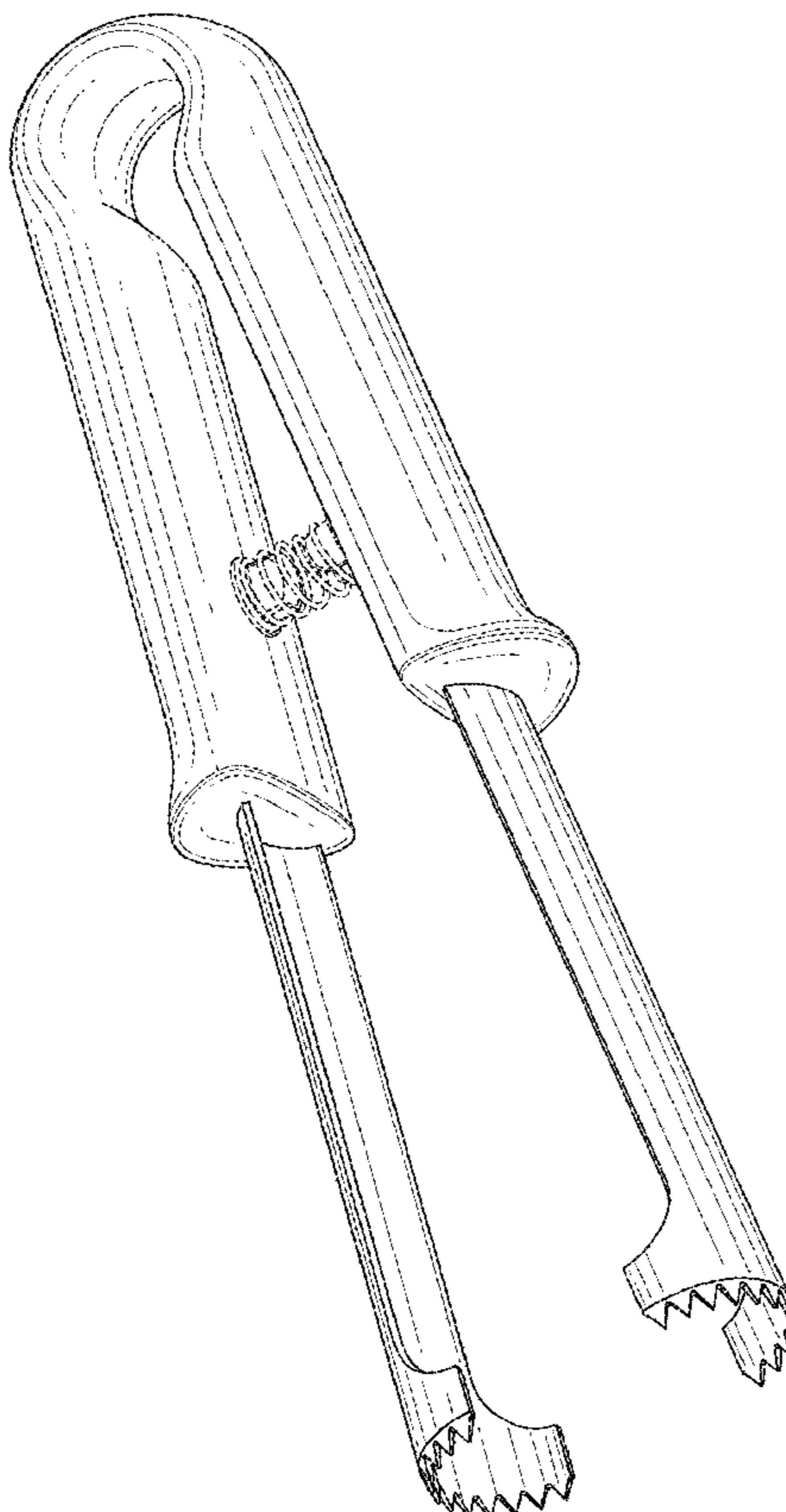
The broken lines in the drawings depict portions of the apple corer that form no part of the claimed design.

(56) **References Cited**

U.S. PATENT DOCUMENTS

2,990,615 A * 7/1961 Ohler A47J 25/00
172/21

1 Claim, 6 Drawing Sheets



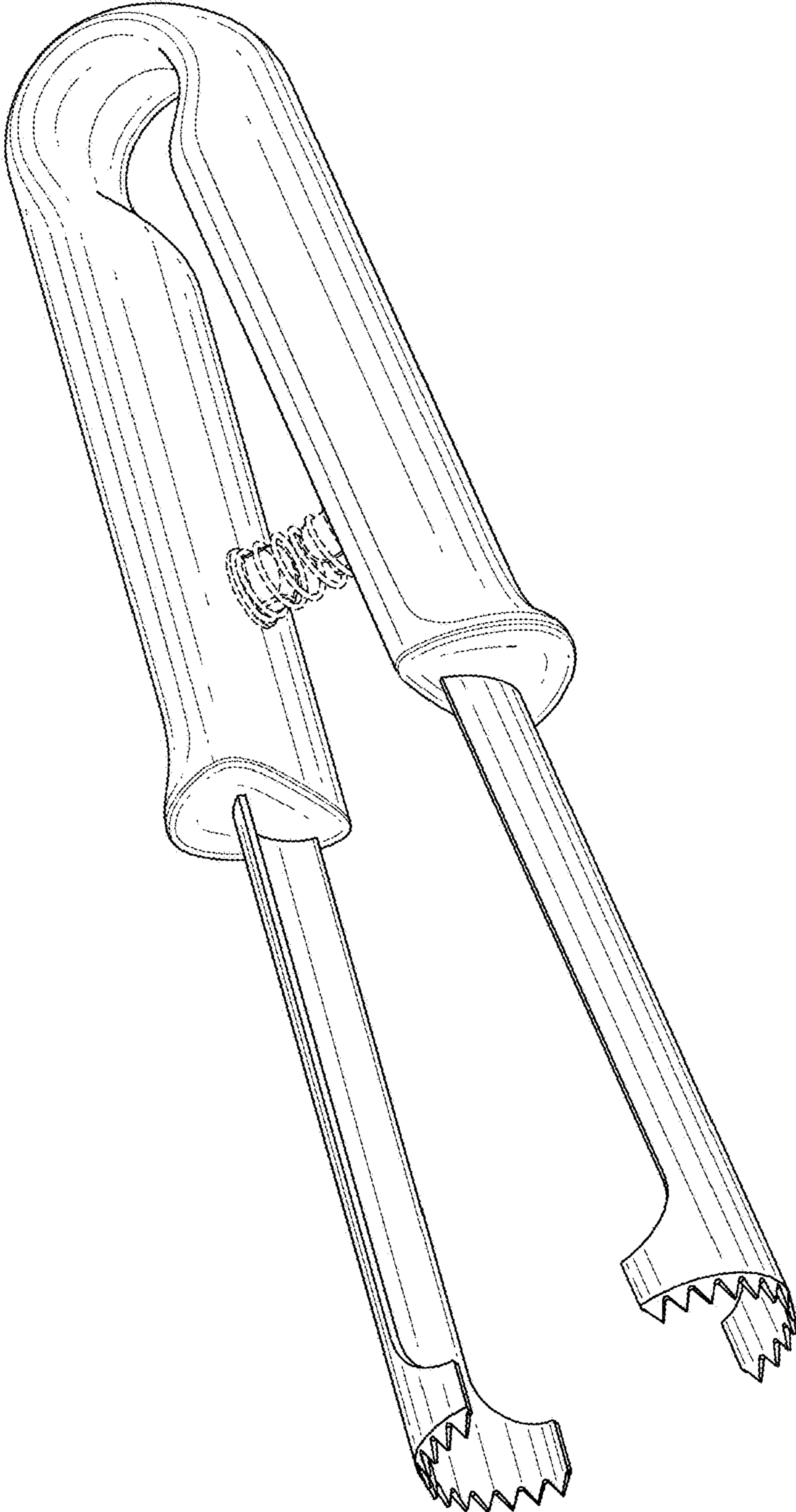


FIG. 1

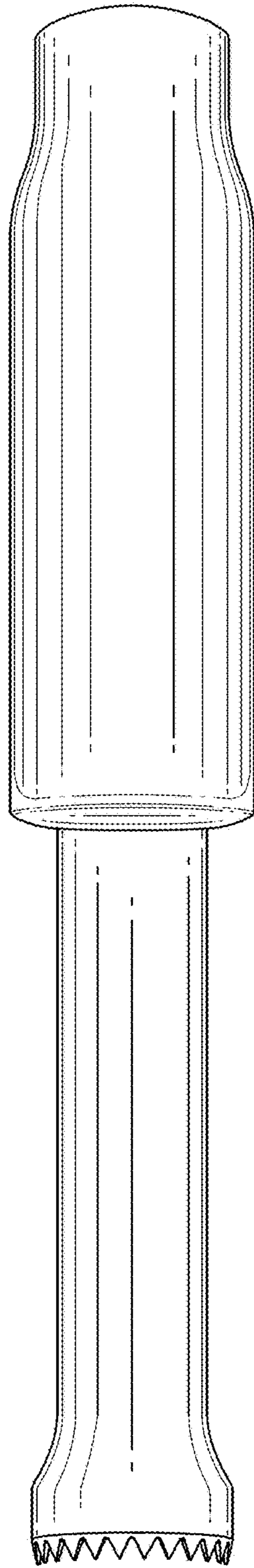


FIG. 2

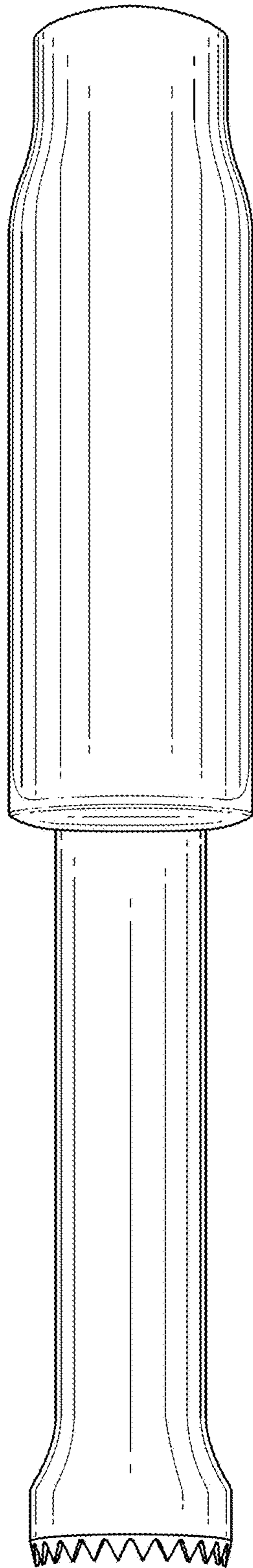


FIG. 3

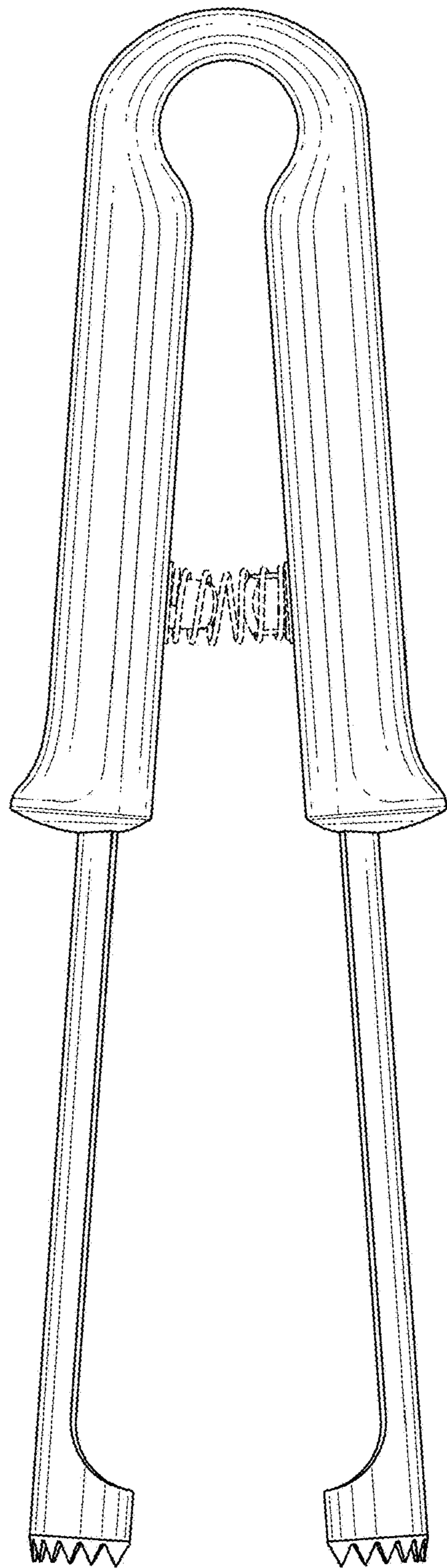


FIG.4

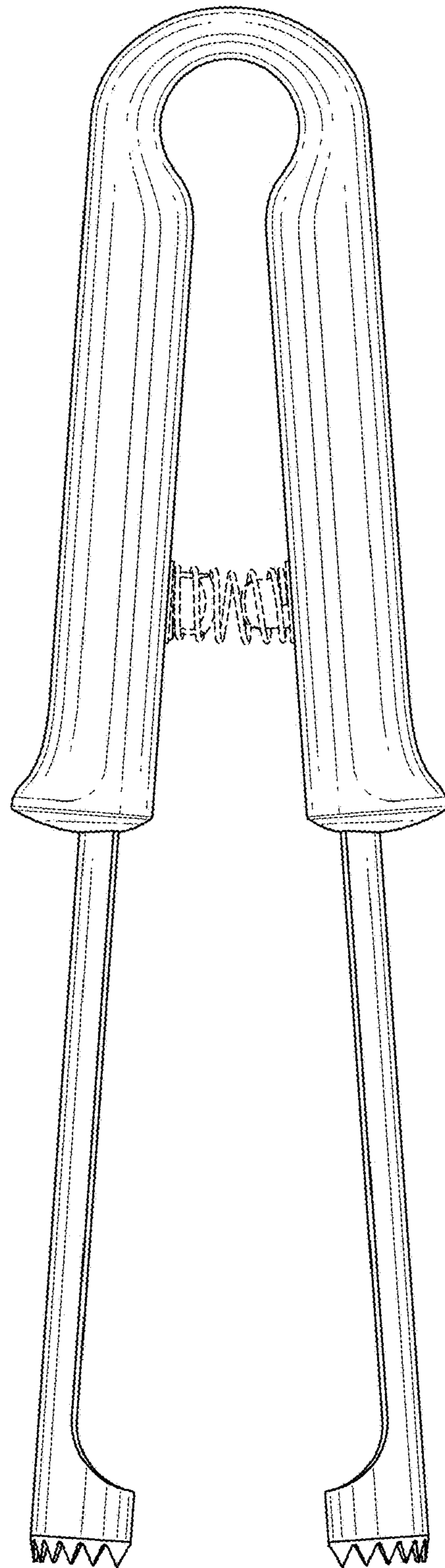


FIG. 5

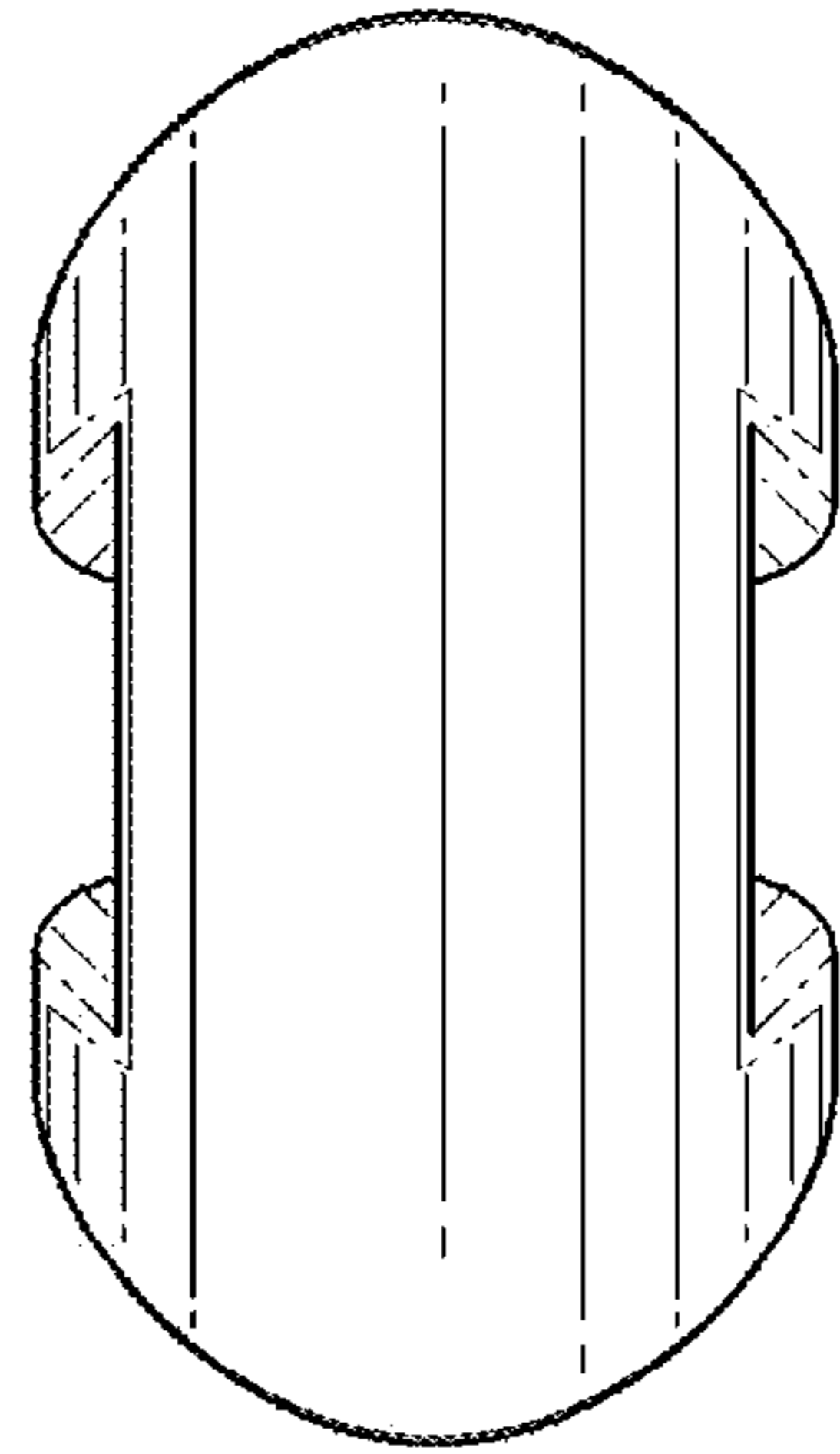


FIG. 6

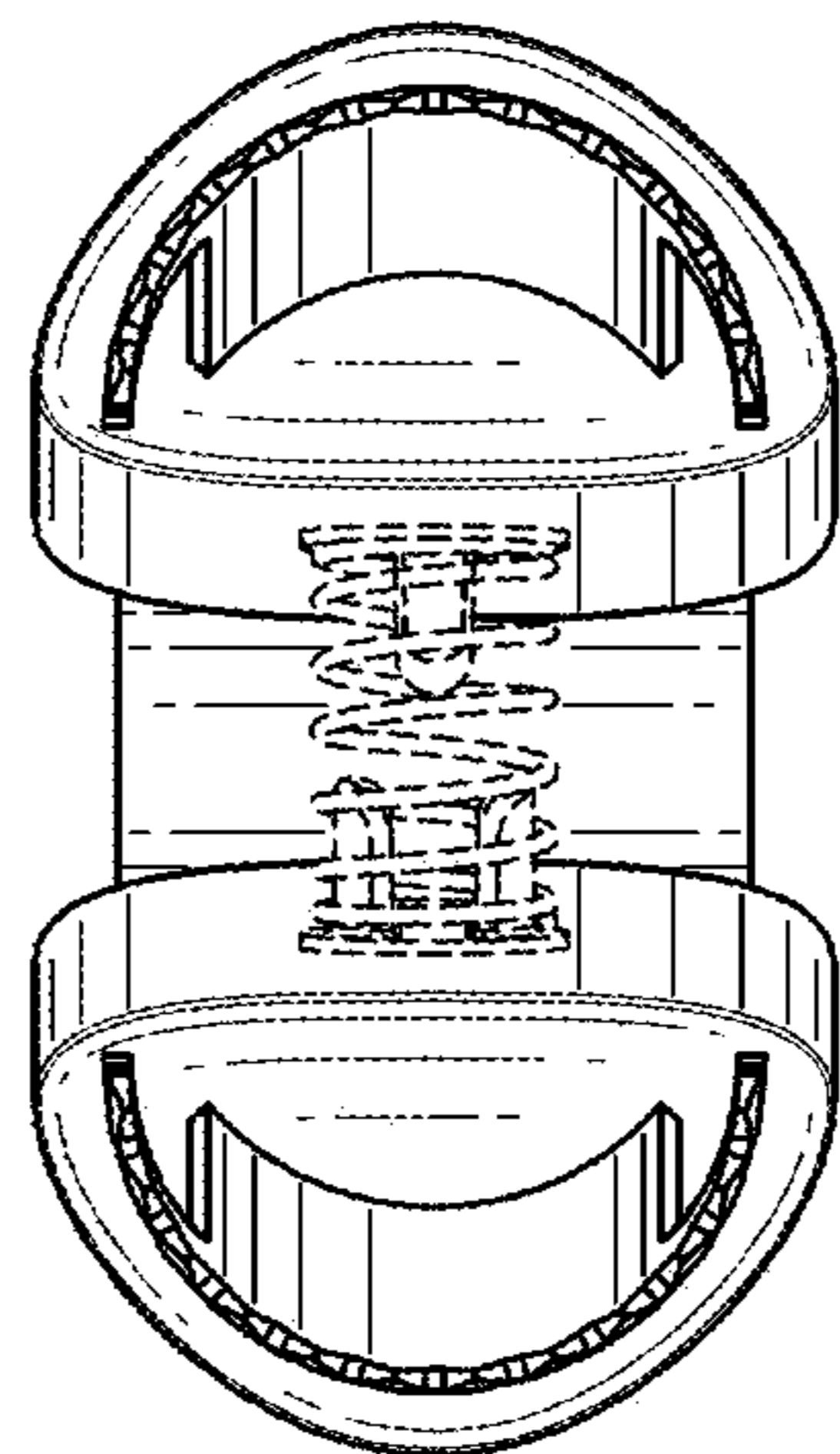


FIG. 7