



US00D825288S

(12) **United States Design Patent** (10) **Patent No.:** **US D825,288 S**  
**Liu** (45) **Date of Patent:** **\*\* Aug. 14, 2018**

(54) **PIZZA CUTTER**

2010/0313432 A1\* 12/2010 Caswell ..... B26B 25/005  
30/301

(71) Applicant: **Yunxing Liu**, Irvine, CA (US)

\* cited by examiner

(72) Inventor: **Yunxing Liu**, Irvine, CA (US)

*Primary Examiner* — Terry A Wallace

(\*\*) Term: **15 Years**

(57) **CLAIM**

(21) Appl. No.: **29/591,581**

The ornamental design for a pizza cutter, as shown and described.

(22) Filed: **Jan. 20, 2017**

(51) **LOC (11) Cl.** ..... **07-04**

(52) **U.S. Cl.**

USPC ..... **D7/694**

(58) **Field of Classification Search**

USPC ..... D7/680–696, 393, 395, 401.2, 642–664

CPC ..... A21C 11/04; A21C 11/02; A21C 11/12;

A21C 11/106; A21C 11/10; A21C 3/021;

A21C 3/00

See application file for complete search history.

**DESCRIPTION**

FIG. 1 is a front, left side perspective of a knife handle, showing my new design.

FIG. 2 is a left side view thereof, the right side being a mirror image.

FIG. 3 is a top view thereof.

FIG. 4 is a bottom view thereof.

FIG. 5 is a rear view thereof; and,

FIG. 6 is a front view thereof.

The broken lines showing the cutter portion of the pizza cutter are for illustrative purposes only and form no part of the claimed design.

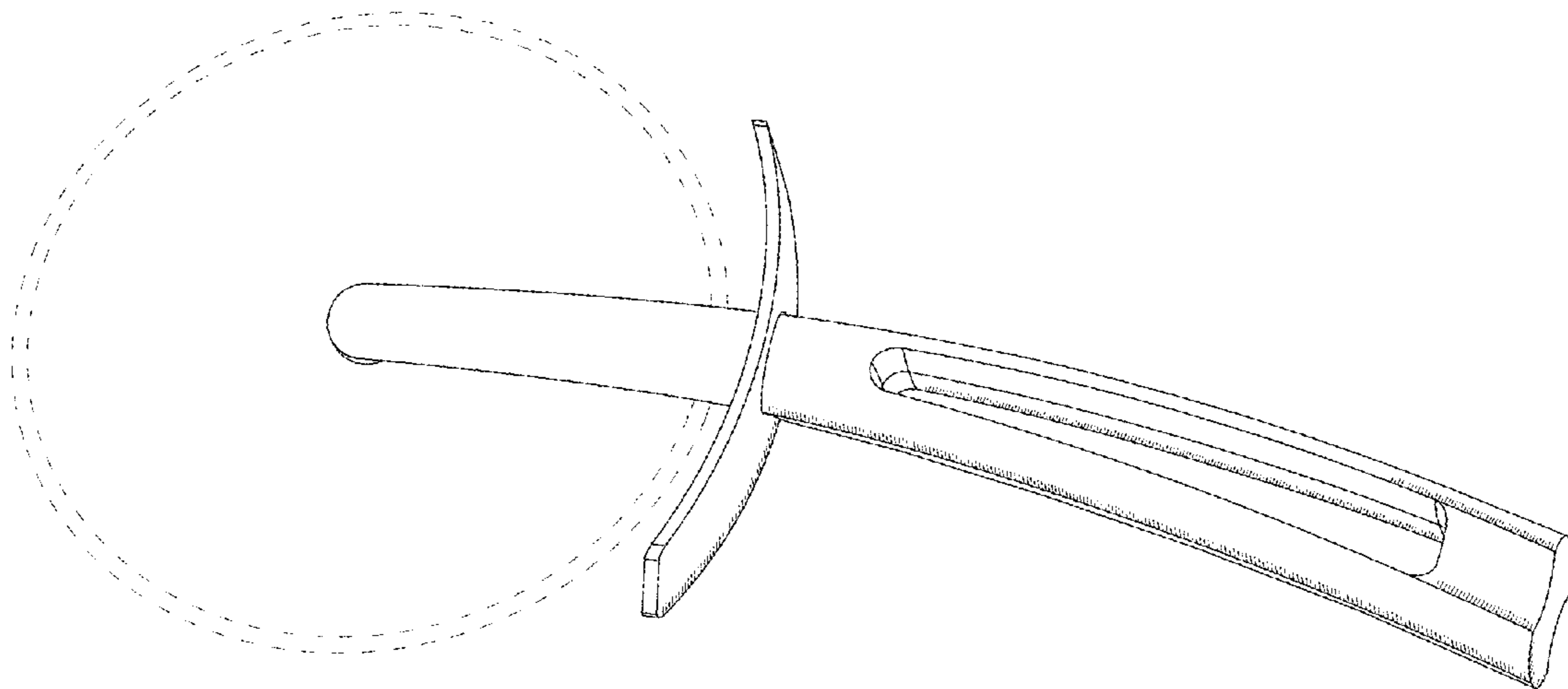
(56) **References Cited**

**U.S. PATENT DOCUMENTS**

D461,380 S \* 8/2002 Law ..... D7/694

D737,638 S \* 9/2015 Roberts ..... D7/395

**1 Claim, 3 Drawing Sheets**



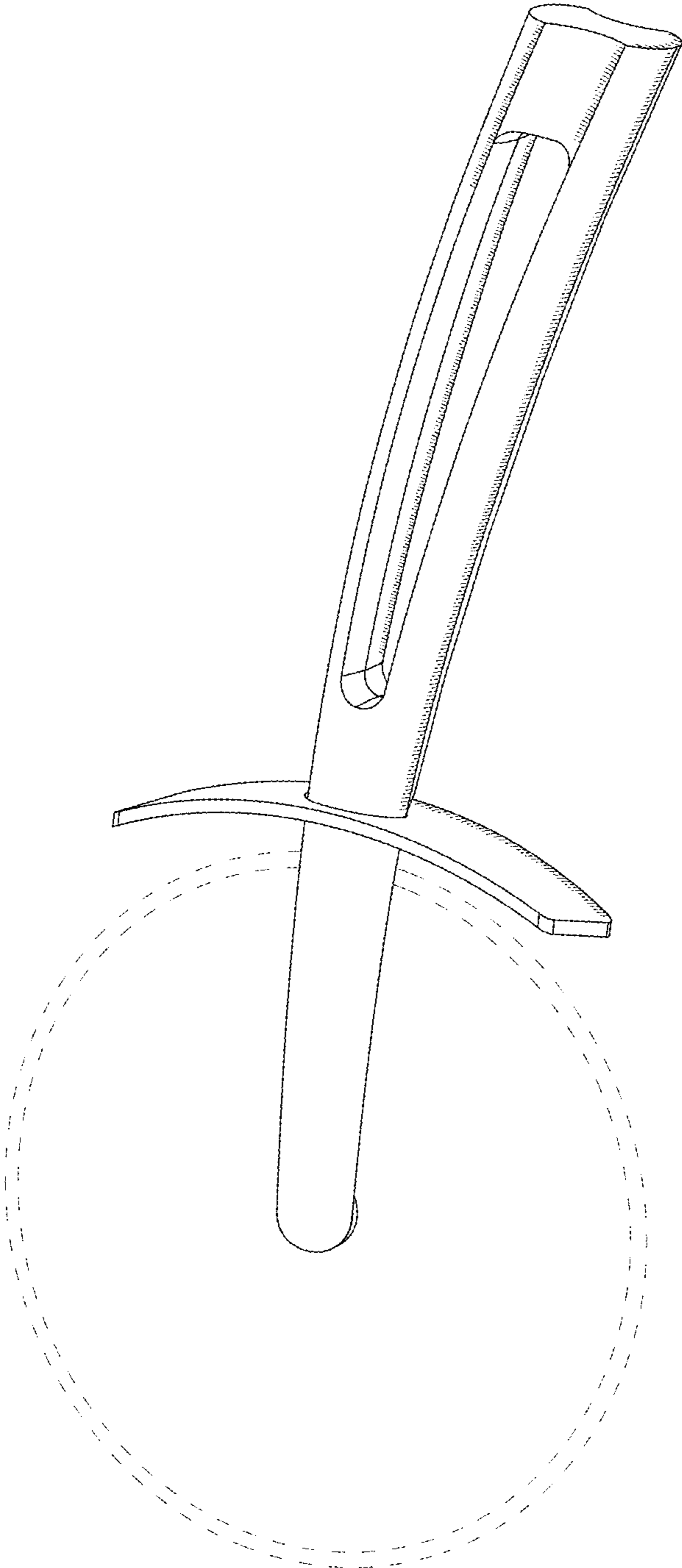


Fig. 1

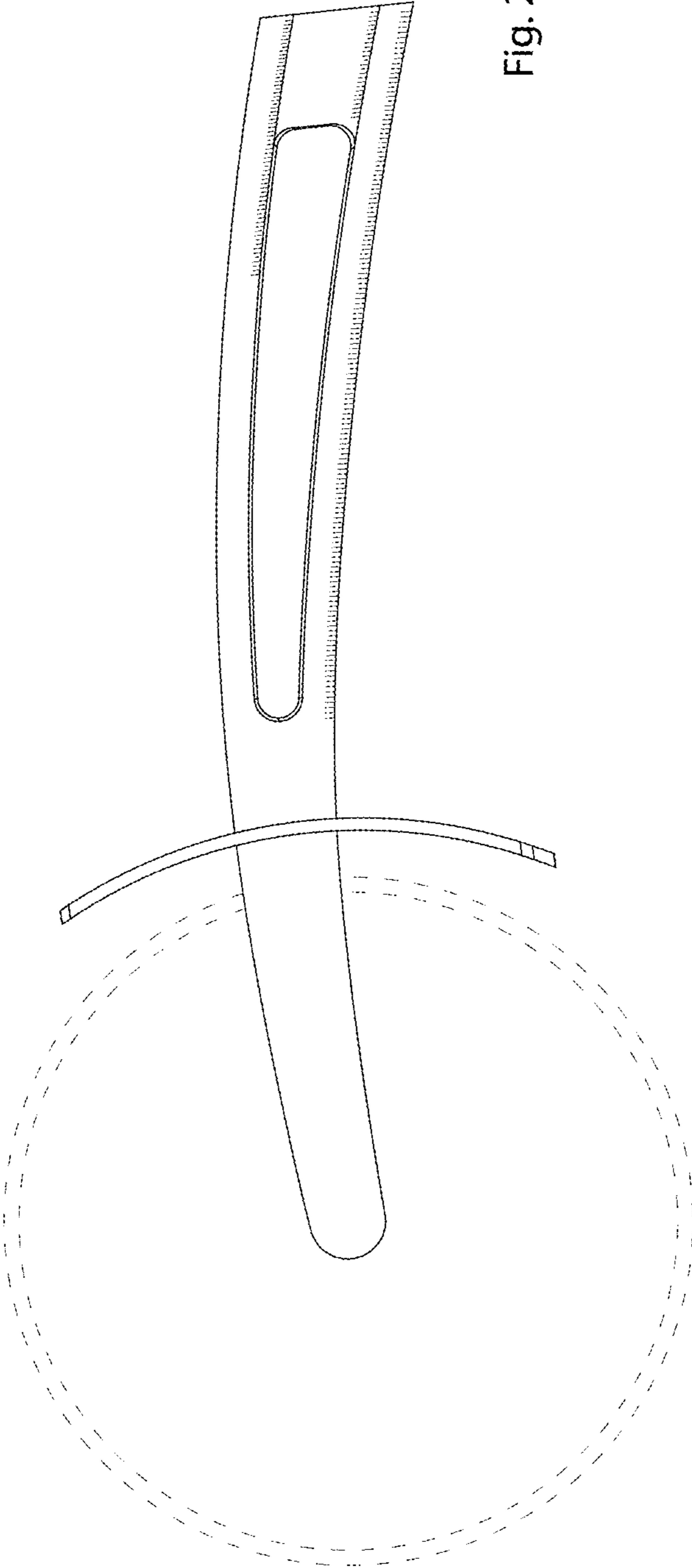


Fig. 2

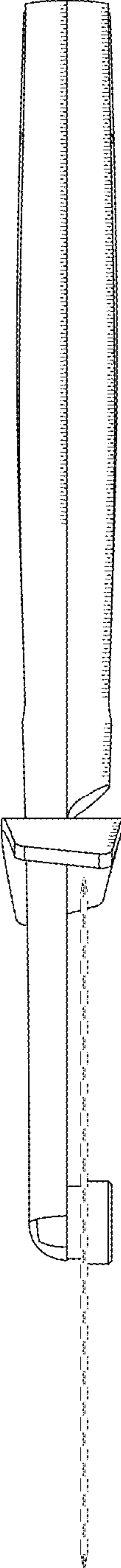


Fig. 3



Fig. 4

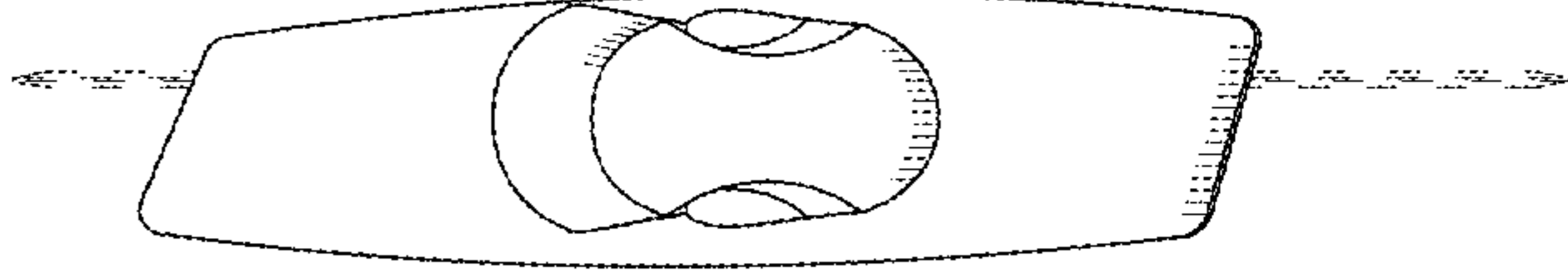


Fig. 5

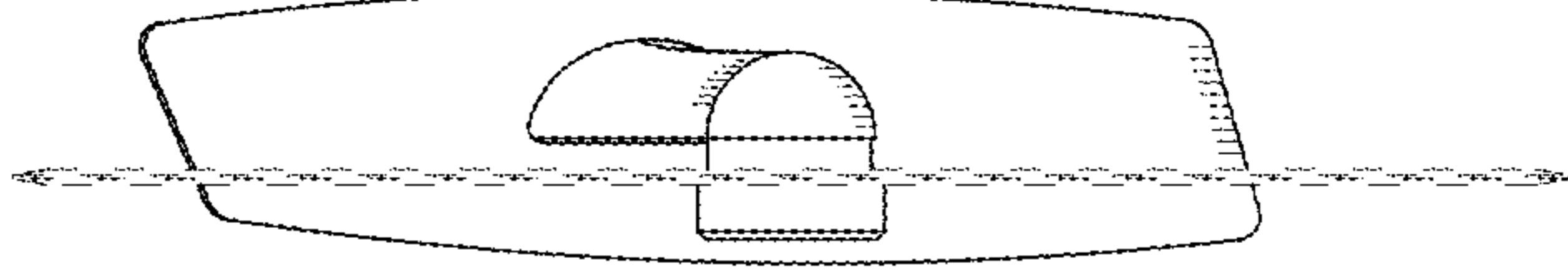


Fig. 6