



US00D825284S

(12) **United States Design Patent**  
**Morales**

(10) **Patent No.:** **US D825,284 S**

(45) **Date of Patent:** **\*\* Aug. 14, 2018**

(54) **CONTAINER**

B65D 17/06; B65D 17/50; B65D 11/18;  
B65D 1/34; B65D 1/36; B65D 1/22;  
B65D 1/24

(71) Applicant: **POLIMES S.A.**, Bogota (CO)

See application file for complete search history.

(72) Inventor: **Hernando Morales**, Bogota (CO)

(73) Assignee: **POLIMES S.A.**, Bogota (CO)

(56) **References Cited**

(\*\*) Term: **15 Years**

U.S. PATENT DOCUMENTS

(21) Appl. No.: **29/534,026**

D420,585 S *	2/2000	Guillin .....	D9/425
D452,374 S *	12/2001	Kim .....	D3/302
D481,910 S *	11/2003	Kim .....	D7/629
D488,031 S *	4/2004	Kim .....	D7/629
D489,530 S *	5/2004	Lindsay .....	D3/273
D490,277 S *	5/2004	Kim .....	D3/302
D493,073 S *	7/2004	Kim .....	D7/629
6,793,096 B1 *	9/2004	Seok .....	B65D 43/0218 220/326

(22) Filed: **Jul. 24, 2015**

(51) **LOC (11) Cl.** ..... **09-07**

(52) **U.S. Cl.**

USPC ..... **D7/629**

(58) **Field of Classification Search**

USPC ..... D7/615, 300, 590, 591, 594, 595, 597,  
D7/599, 602, 612, 613, 614, 708, 619.1,  
D7/619.2, 641, 300.1, 301, 302, 589, 603,  
D7/604, 605, 606, 608, 701, 702, 703,  
D7/707, 622, 623, 710, 628, 629, 630;  
D9/600, 601, 643, 644, 645, 646, 647,  
D9/648, 655, 659, 661, 738, 761, 767,  
D9/772, 773, 500, 516, 537, 538, 539,  
D9/540, 541, 542, 543, 545, 549, 550,  
D9/558, 559, 563, 567, 573, 574, 575,  
D9/552, 554, 565, 737, 756, 759, 760,  
D9/501, 502, 503, 504, 414, 416, 419,  
D9/428, 432, 438

CPC ..... A47G 19/20; A47G 19/12; A47G 23/04;  
A47G 23/06; B65D 1/00; B65D 1/02;  
B65D 1/10; B65D 1/12; B65D 1/23;  
B65D 1/06; B65D 1/14; B65D 1/16;  
B65D 1/26; B65D 3/00; B65D 3/02;  
B65D 3/04; B65D 7/00; B65D 7/02;  
B65D 7/04; B65D 9/02; B65D 11/00;  
B65D 11/02; B65D 13/00; B65D 15/00;  
B65D 15/02; B65D 17/00; B65D 17/02;  
B65D 23/00; B65D 39/00; B65D 77/00;  
B65D 2543/00296; B65D 2543/00842;

(Continued)

*Primary Examiner* — Shannon W Morgan

(74) *Attorney, Agent, or Firm* — Ladas & Parry LLP;  
Malcolm J. MacDonald

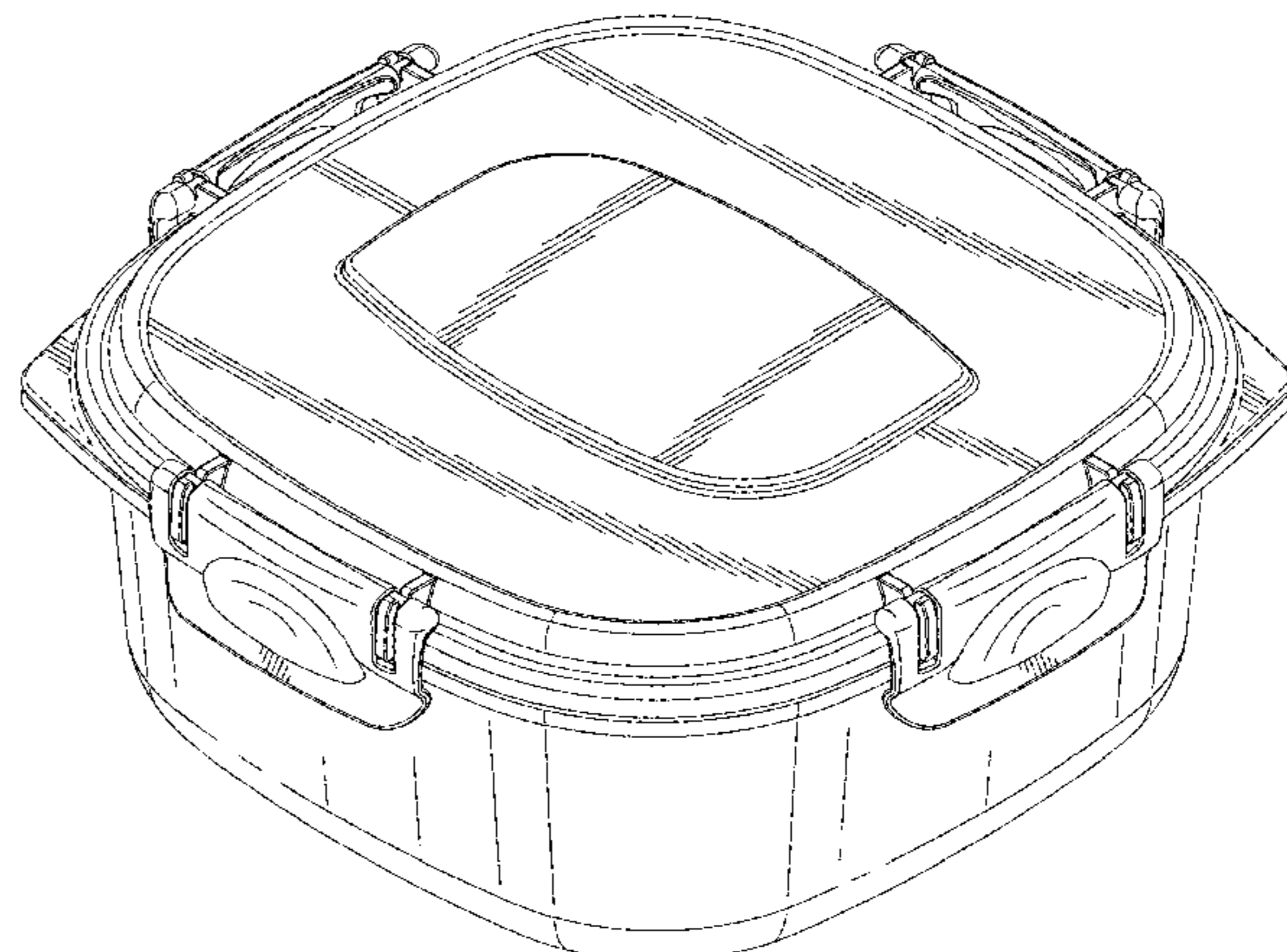
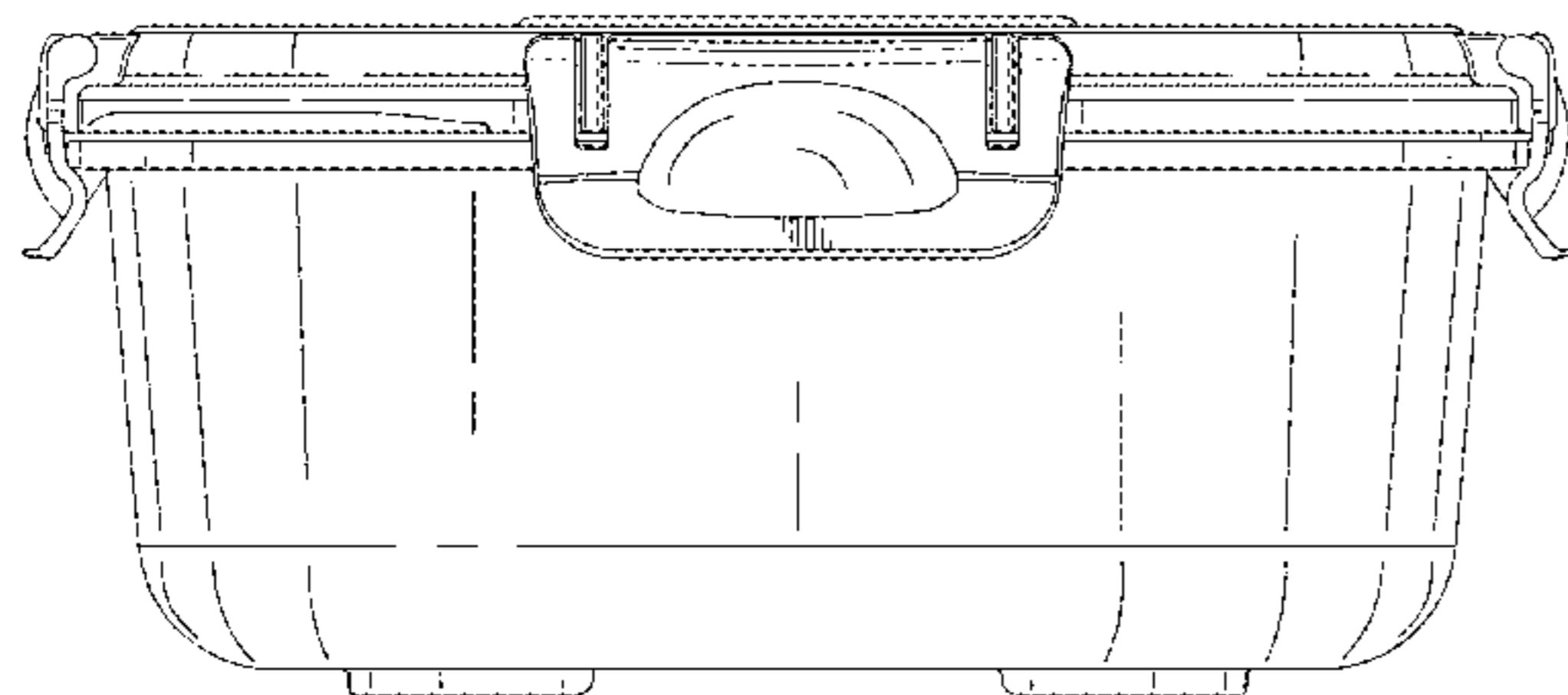
(57) **CLAIM**

The ornamental design for a container, as shown and described.

**DESCRIPTION**

FIG. 1 is a front elevational view showing my new design; FIG. 2 is a rear elevational view thereof; FIG. 3 is a right side elevational view thereof; FIG. 4 is a left side elevational view thereof; FIG. 5 is top plan view thereof; FIG. 6 is a bottom plan view thereof; and, FIG. 7 is a front perspective view thereof. The dot-dash broken line shown in FIG. 6 immediately adjacent to claimed subject matter depicts a portion of the bottom surface of the container that forms no part of the claimed design. The remaining dashed lines in FIG. 6 depict portions of the container that form no part of the claimed design. None of the broken lines form part of the claimed design.

**1 Claim, 7 Drawing Sheets**



(56)

**References Cited**

## U.S. PATENT DOCUMENTS

D499,931 S \* 12/2004 Kim ..... D7/392.1  
D500,227 S \* 12/2004 Seok ..... D7/392.1  
D517,311 S \* 3/2006 Kim ..... D3/218  
D562,083 S \* 2/2008 Lown ..... D7/629  
D573,846 S \* 7/2008 Moghavem ..... D7/629  
D610,879 S \* 3/2010 Kim ..... D7/629  
D615,821 S \* 5/2010 Stamper ..... D7/538  
D633,757 S \* 3/2011 Smyers ..... D7/629  
D636,641 S \* 4/2011 Smyers ..... D7/629  
D646,127 S \* 10/2011 Lindsay ..... D7/629  
D646,128 S \* 10/2011 Cetti ..... D7/629  
D651,477 S \* 1/2012 Nie ..... D7/629  
D651,479 S \* 1/2012 Nie ..... D7/629  
D652,265 S \* 1/2012 Lindsay ..... D7/629  
D652,686 S \* 1/2012 Lindsay ..... D7/629  
D660,094 S \* 5/2012 Kyung ..... D7/629  
D669,313 S \* 10/2012 Paladino ..... D7/602  
D677,521 S \* 3/2013 Lindsay ..... D7/391  
D682,609 S \* 5/2013 Lindsay ..... D7/392.1  
D692,281 S \* 10/2013 George ..... D7/629  
D699,082 S \* 2/2014 Duvigneau ..... D7/629  
8,733,550 B2 \* 5/2014 Harvey ..... B65D 53/02  
206/508  
D706,084 S \* 6/2014 Manley ..... D7/629  
9,340,334 B2 \* 5/2016 DeSiena ..... B65D 45/16  
D758,806 S \* 6/2016 Morales ..... D3/276  
2004/0084464 A1 \* 5/2004 Koo ..... B65D 43/0218  
220/784  
2014/0103033 A1 \* 4/2014 Beckman ..... B65D 25/04  
220/4.01

\* cited by examiner

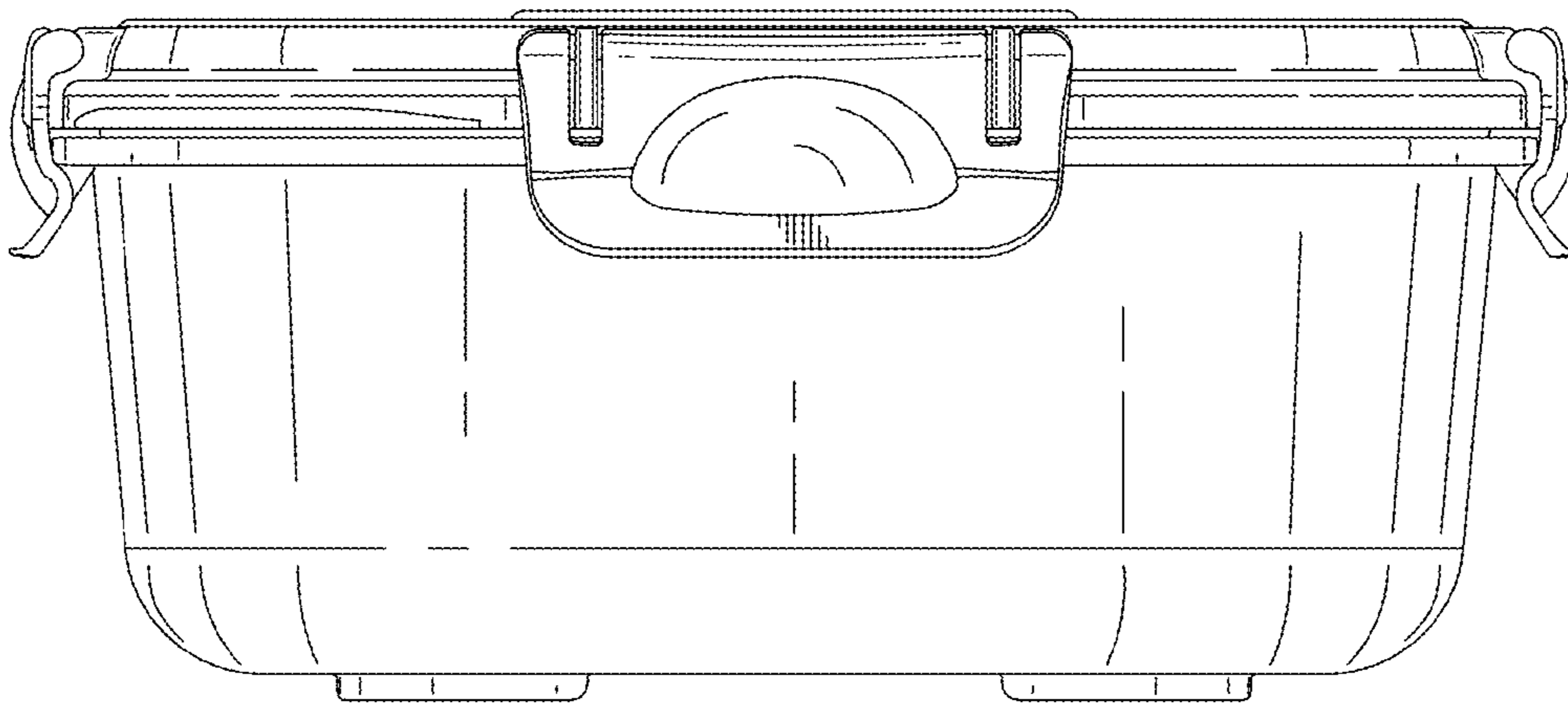


FIG. 1

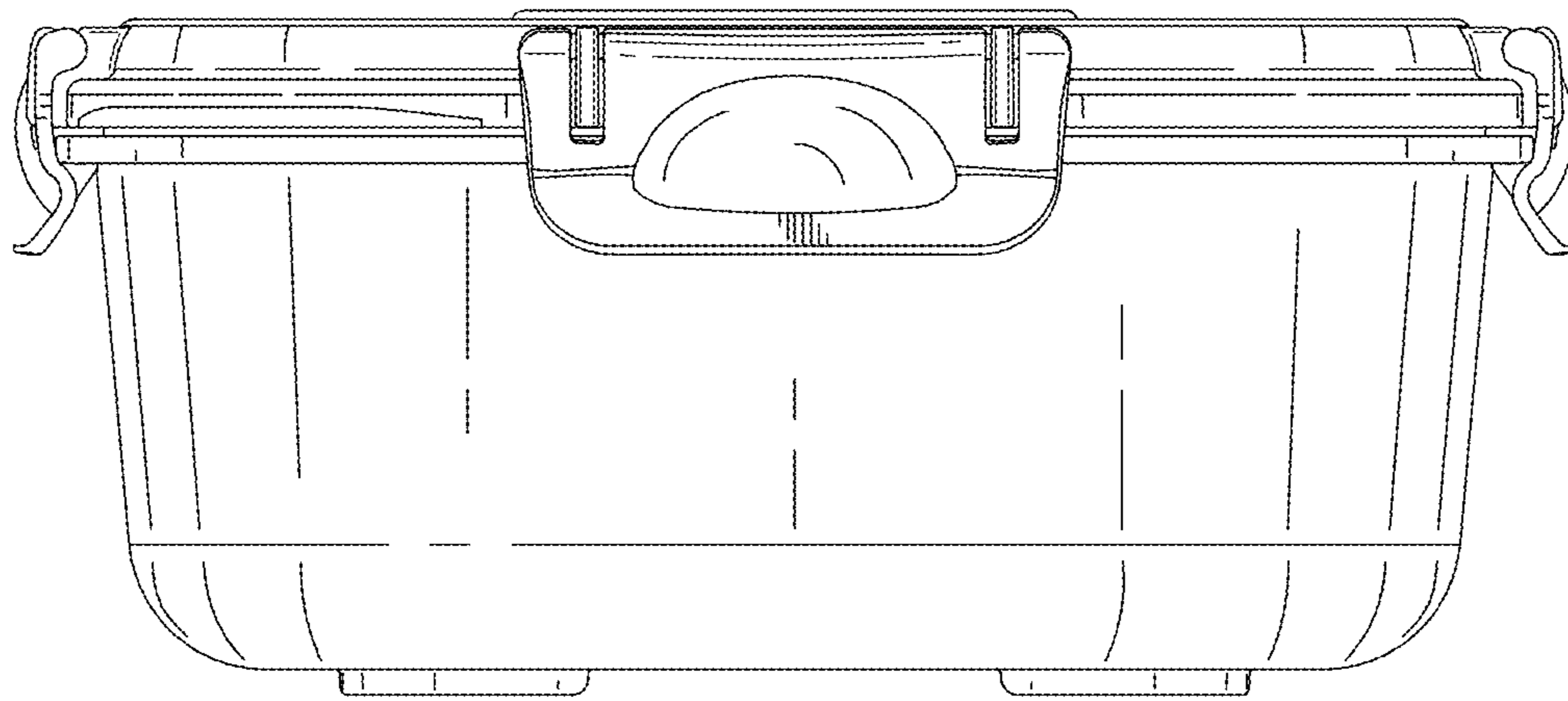


FIG. 2

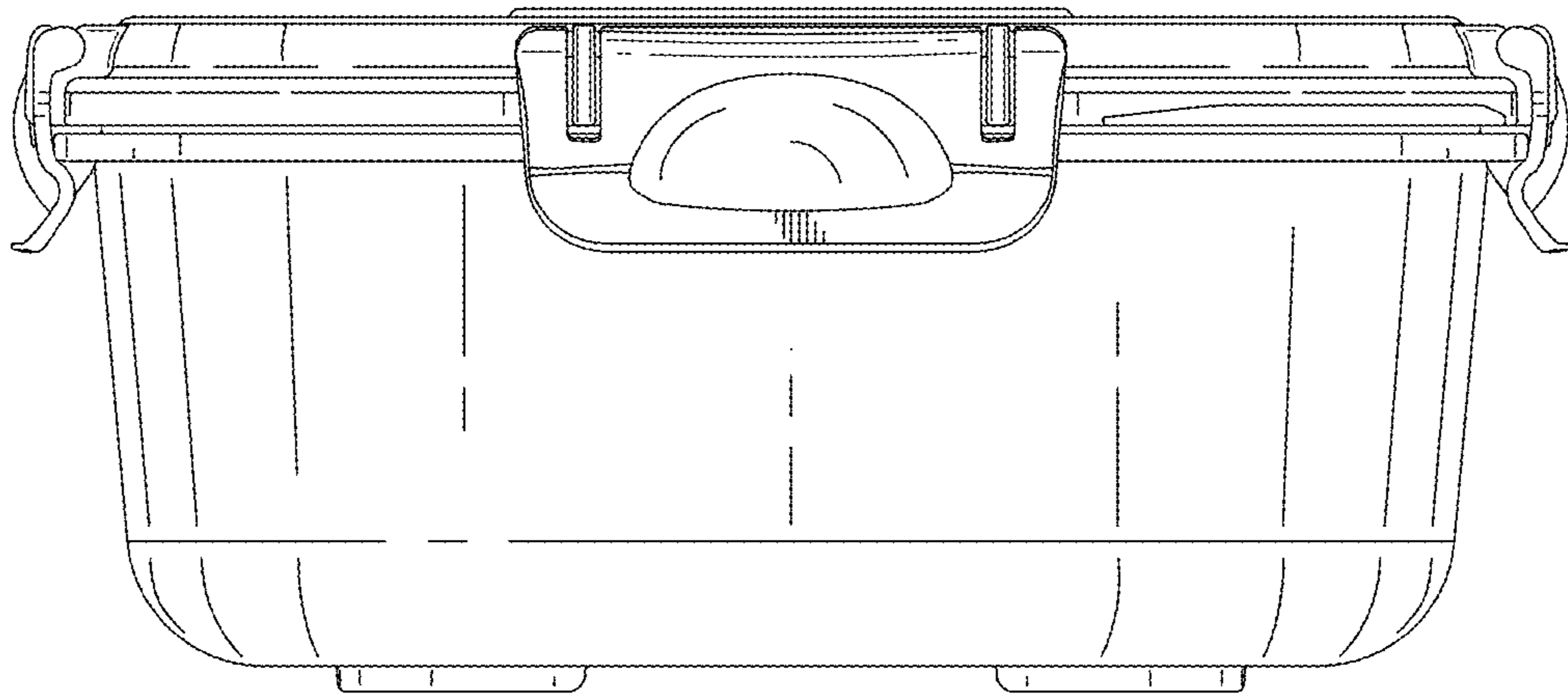


FIG. 3

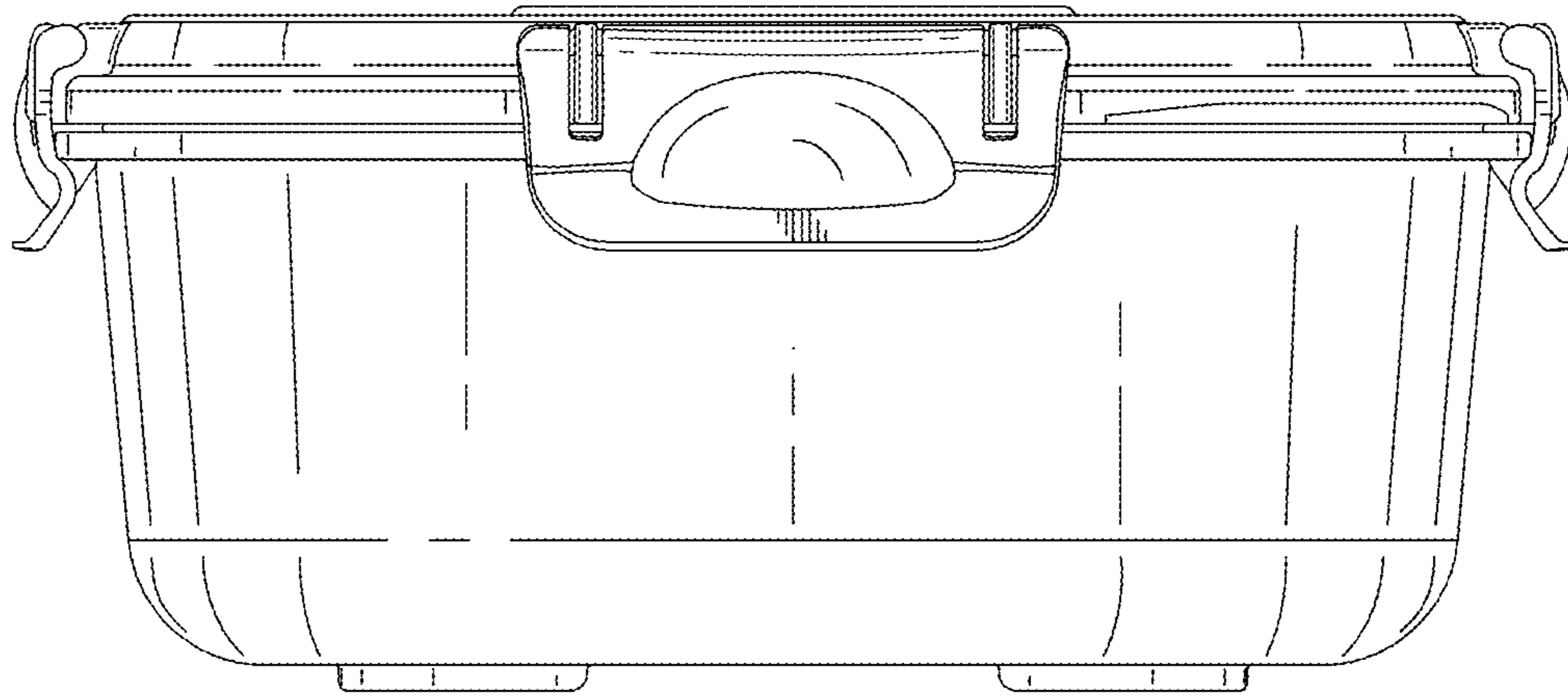


FIG. 4

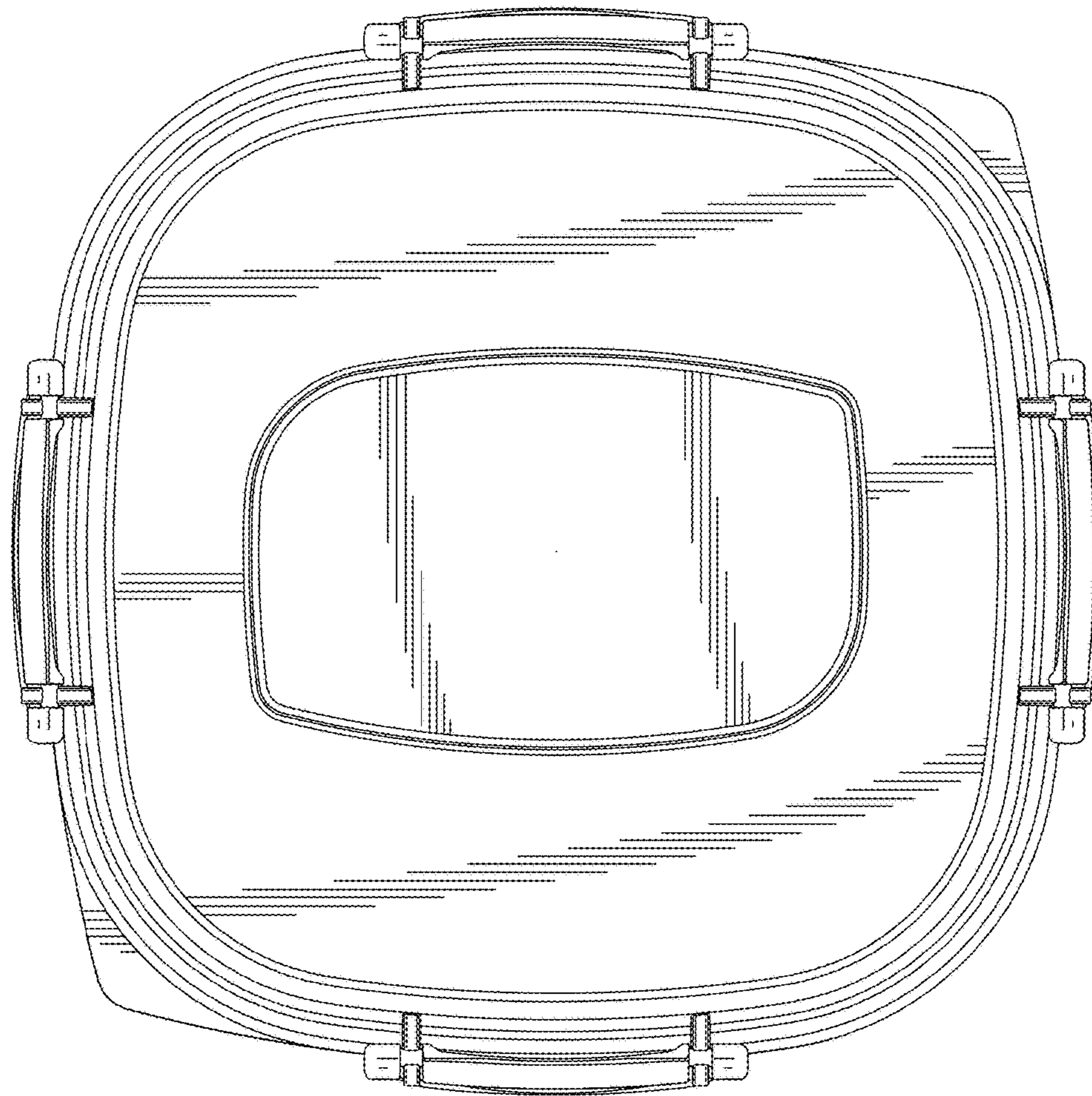


FIG. 5

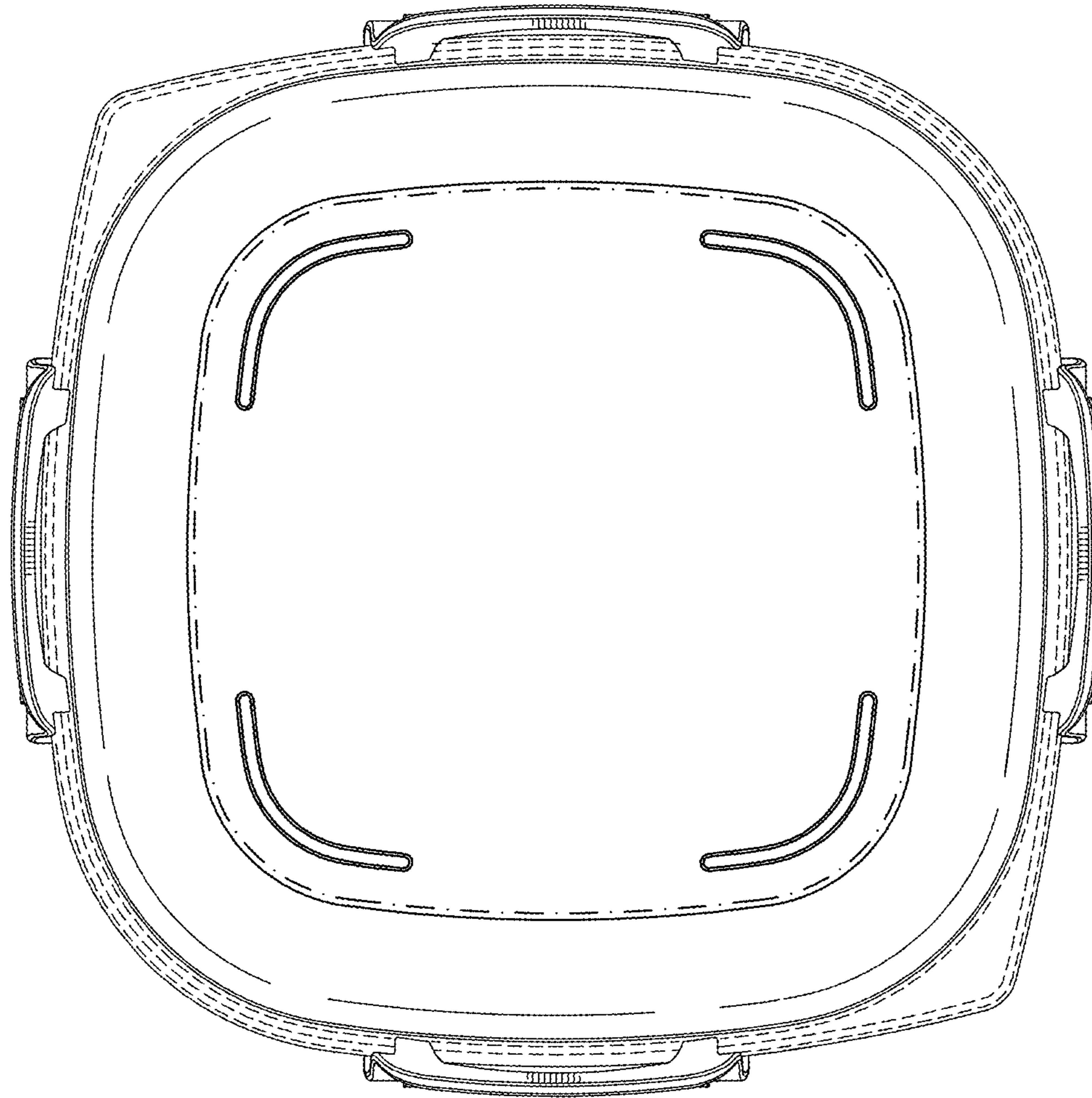


FIG. 6



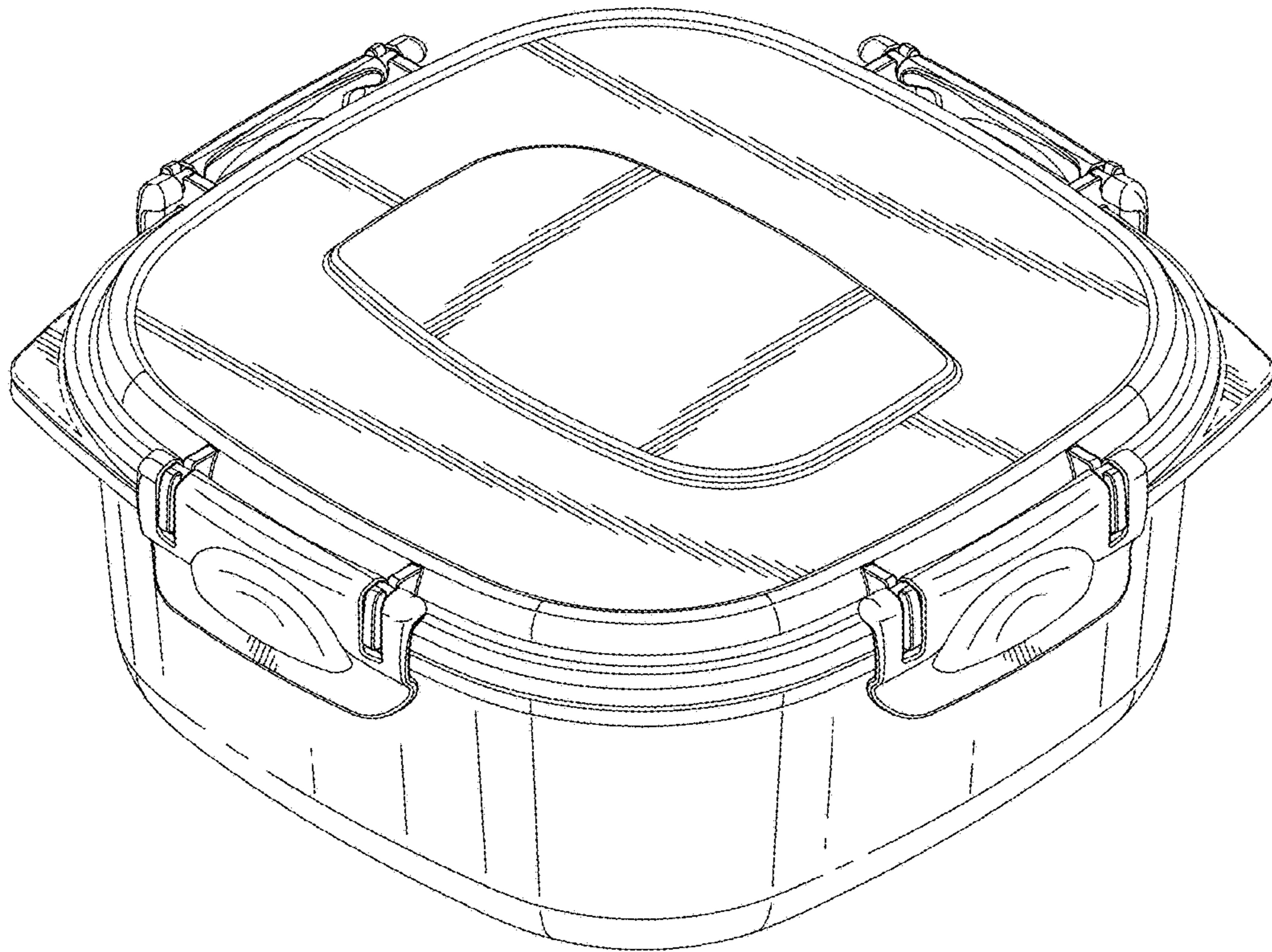


FIG. 7