



US00D825282S

(12) **United States Design Patent**
Marshall

(10) **Patent No.:** **US D825,282 S**
(45) **Date of Patent:** **** Aug. 14, 2018**

- (54) **BEVERAGE HOLSTER**
- (71) Applicant: **Eric Scott Marshall**, Hillsville, VA
(US)
- (72) Inventor: **Eric Scott Marshall**, Hillsville, VA
(US)
- (**) Term: **15 Years**
- (21) Appl. No.: **29/612,453**
- (22) Filed: **Aug. 1, 2017**
- (51) **LOC (11) Cl.** **07-06**
- (52) **U.S. Cl.**
USPC **D7/620**
- (58) **Field of Classification Search**
USPC D7/523, 532, 601, 605-608, 615, 620,
D7/624.2, 625; D6/531-534;
D3/304-314; D9/444, 501-504, 574,
D9/575, 779; 220/592.17, 739; D22/199
CPC F25D 3/08; B65D 25/20; B65D 25/30;
B65D 7/24; B65D 81/3876; B65D
81/3879; B65D 23/104; B65D 81/38;
B65D 81/3886; B65D 81/3883; B65D
81/3881; B65D 83/00; B65D 1/42; B65D
8/00; B65D 15/02; A45C 11/20; A47G
23/0216; A47G 23/0266; A47G 19/2288;
A47G 23/0241; A47G 2023/0291; A45F
2200/0583; A61F 7/10; B31D 5/0086;
A47J 41/02; A47J 41/0077; A47K 1/08
See application file for complete search history.

- D382,483 S * 8/1997 Flasch D7/620
- 5,655,742 A * 8/1997 Whitman B60N 3/103
224/926
- D433,802 S * 11/2000 Graham D3/229
- D453,095 S * 1/2002 Bailey D7/620
- D684,432 S * 6/2013 Stein D7/607
- D722,824 S * 2/2015 Albert D7/509
- D791,551 S * 7/2017 Gaffney D7/620
- 2002/0104845 A1 * 8/2002 Beuke B65D 81/3876
220/739
- 2014/0131372 A1 * 5/2014 Hiner B65D 23/104
220/739

* cited by examiner

Primary Examiner — Freda S Nunn

(74) *Attorney, Agent, or Firm* — The Van Winkle Law Firm; William G. Heedy; David M. Carter

(57) **CLAIM**

The ornamental design for a beverage holster, as shown and described.

DESCRIPTION

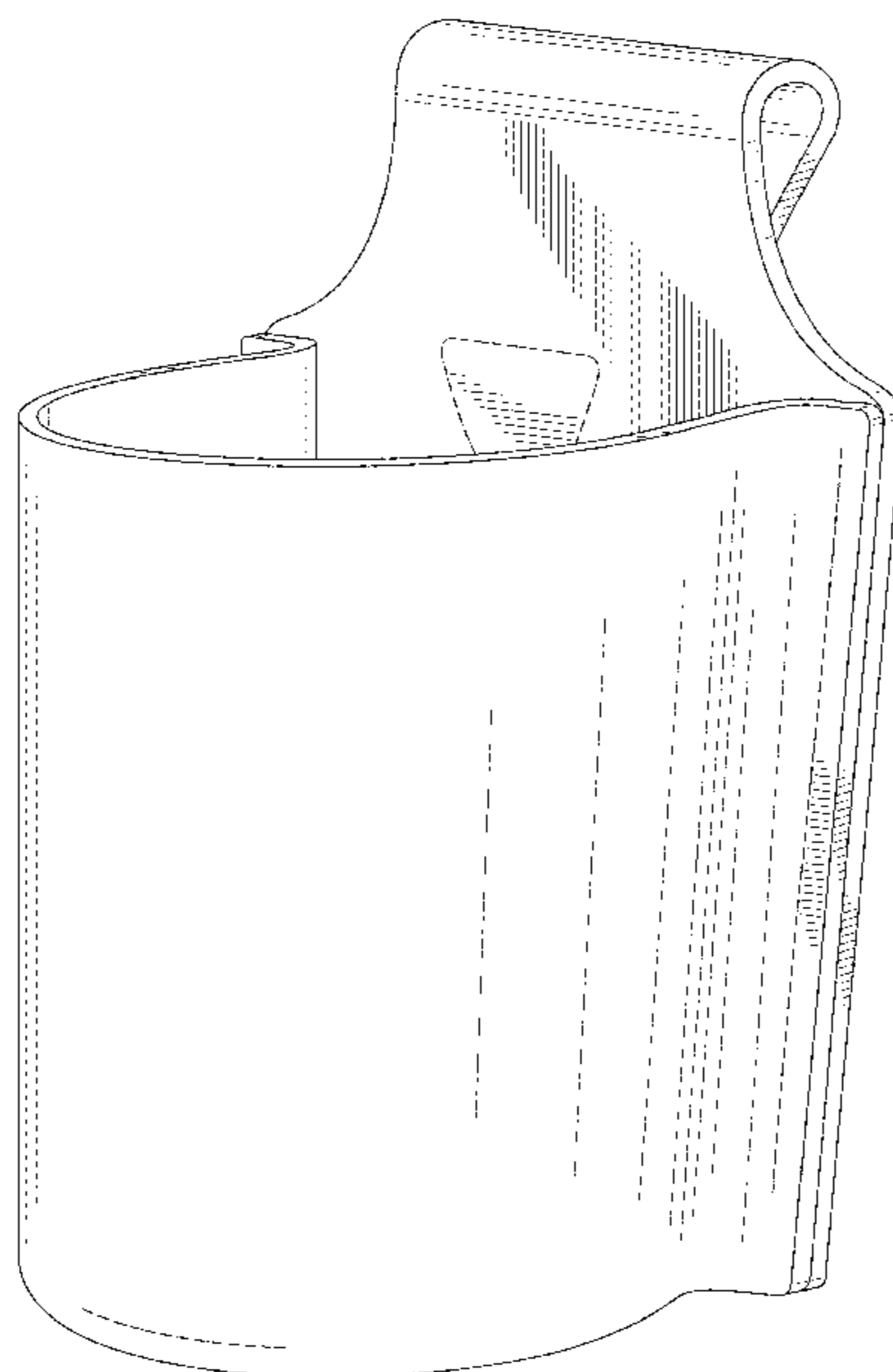
FIG. 1 is a perspective view of a beverage holster design.
 FIG. 2 is a front elevational view of the beverage holster design.
 FIG. 3 is a rear elevational view of the beverage holster design.
 FIG. 4 is a left side elevational view of the beverage holster design.
 FIG. 5 is a right side elevational view of the beverage holster design.
 FIG. 6 is a top plan view of the beverage holster design.
 FIG. 7 is a bottom plan view of the beverage holster design;
 and,
 FIG. 8 is a front elevational view of the beverage holster design shown in cross section along line 8-8 from FIG. 4.

1 Claim, 7 Drawing Sheets

(56) **References Cited**

U.S. PATENT DOCUMENTS

- D20,795 S * 6/1891 Lawton D7/590
- 2,698,155 A * 12/1954 Bowman B60N 3/103
206/806



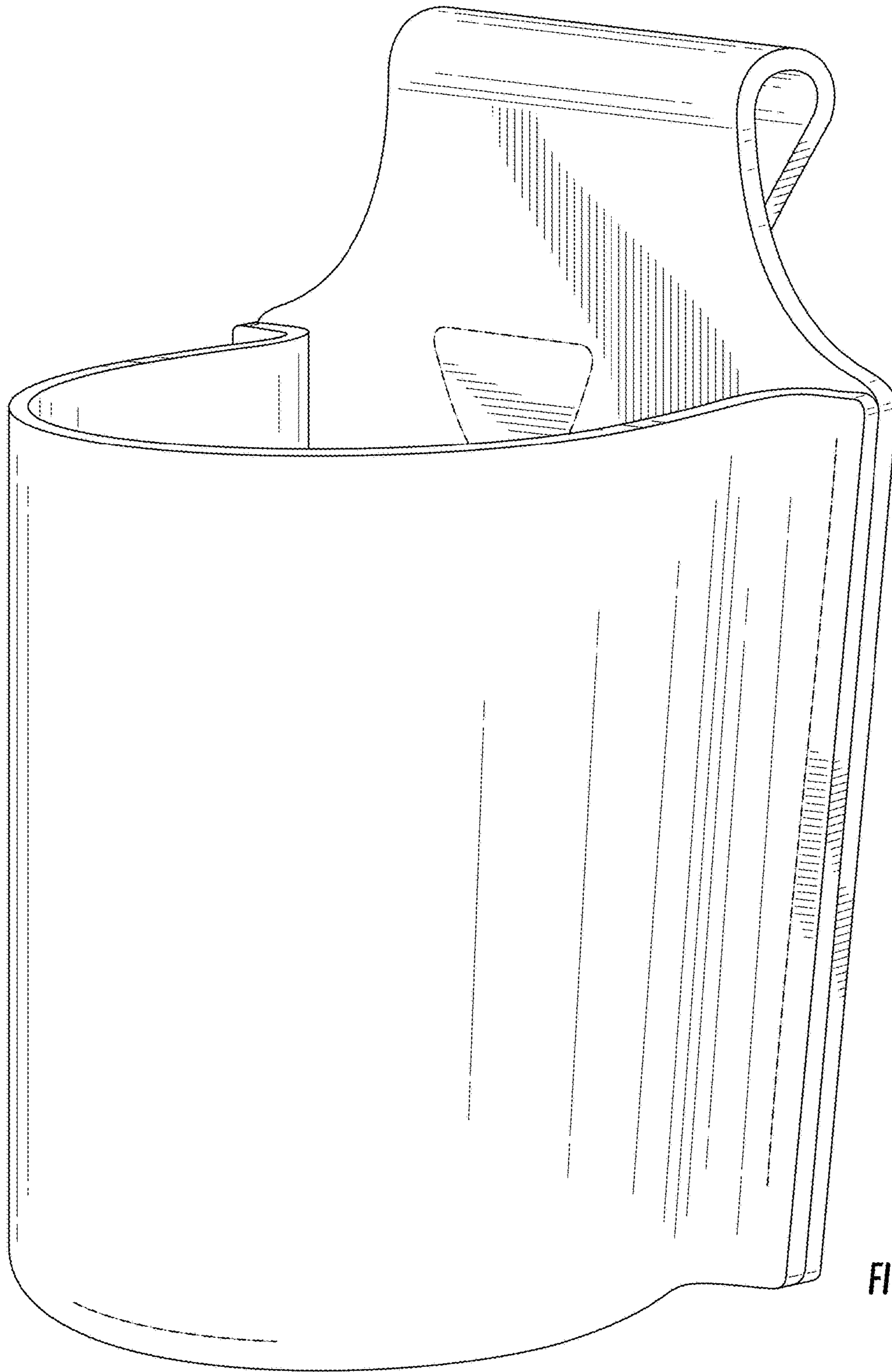


FIG. 1

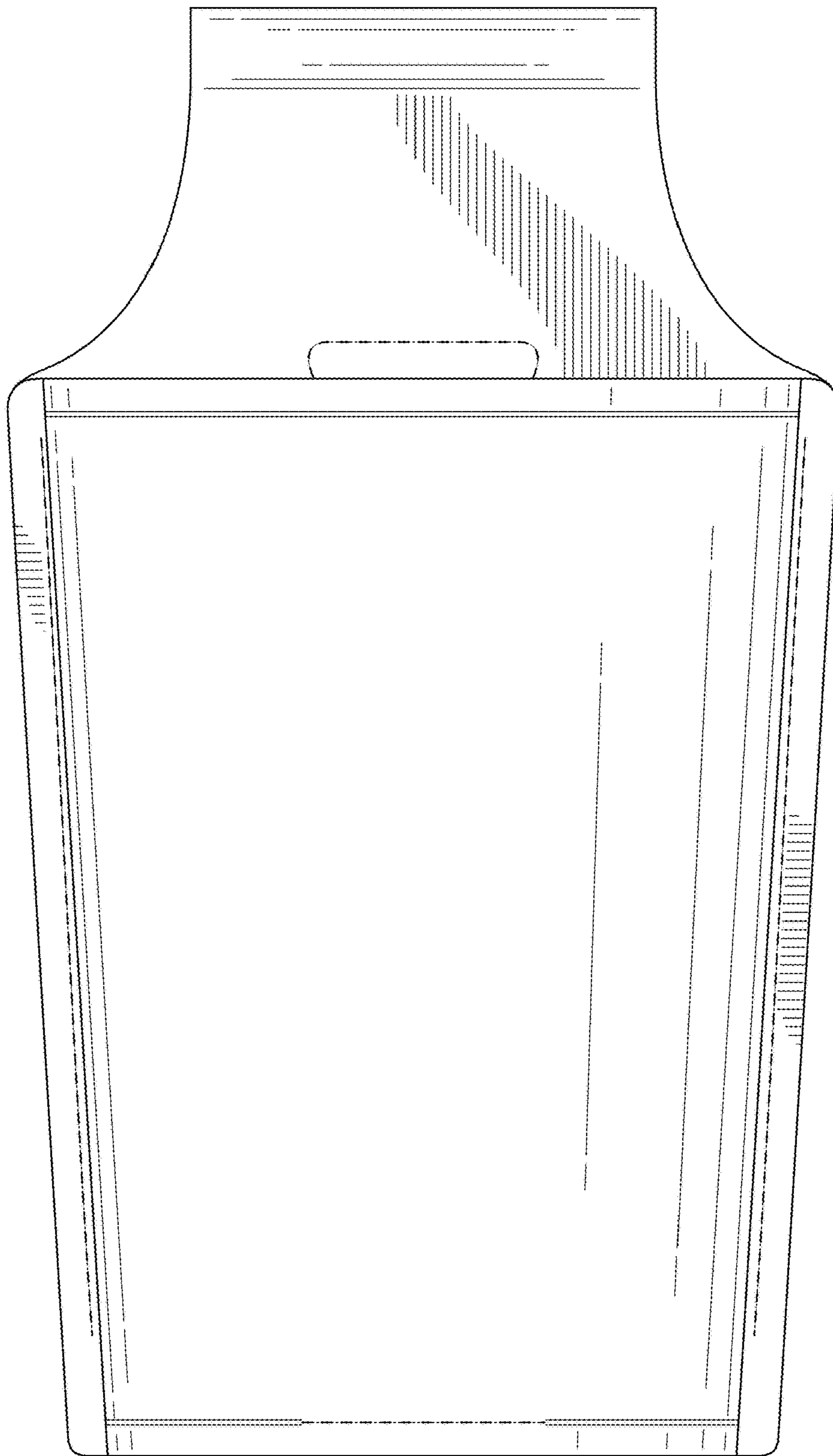


FIG. 2

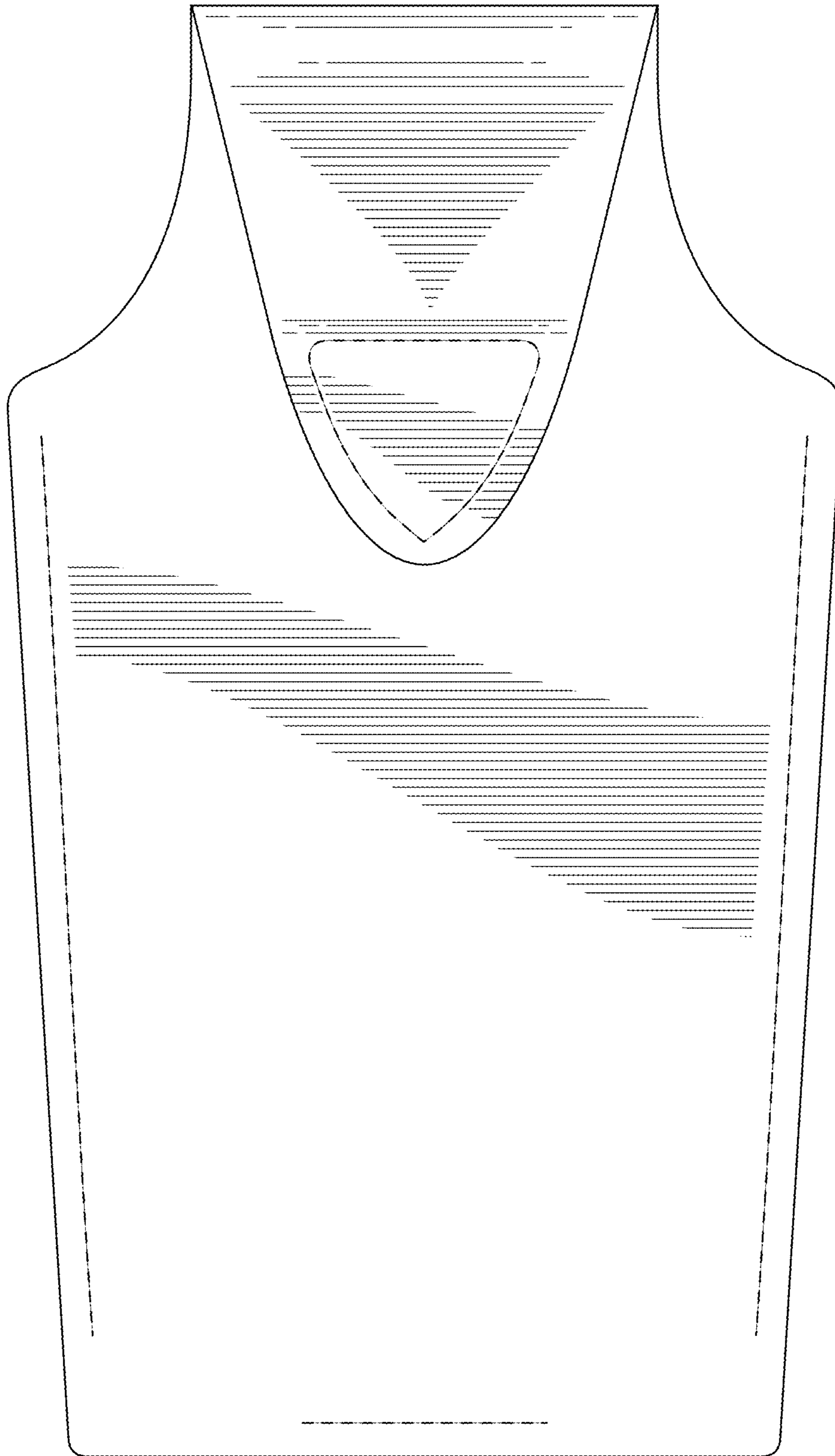


FIG. 3

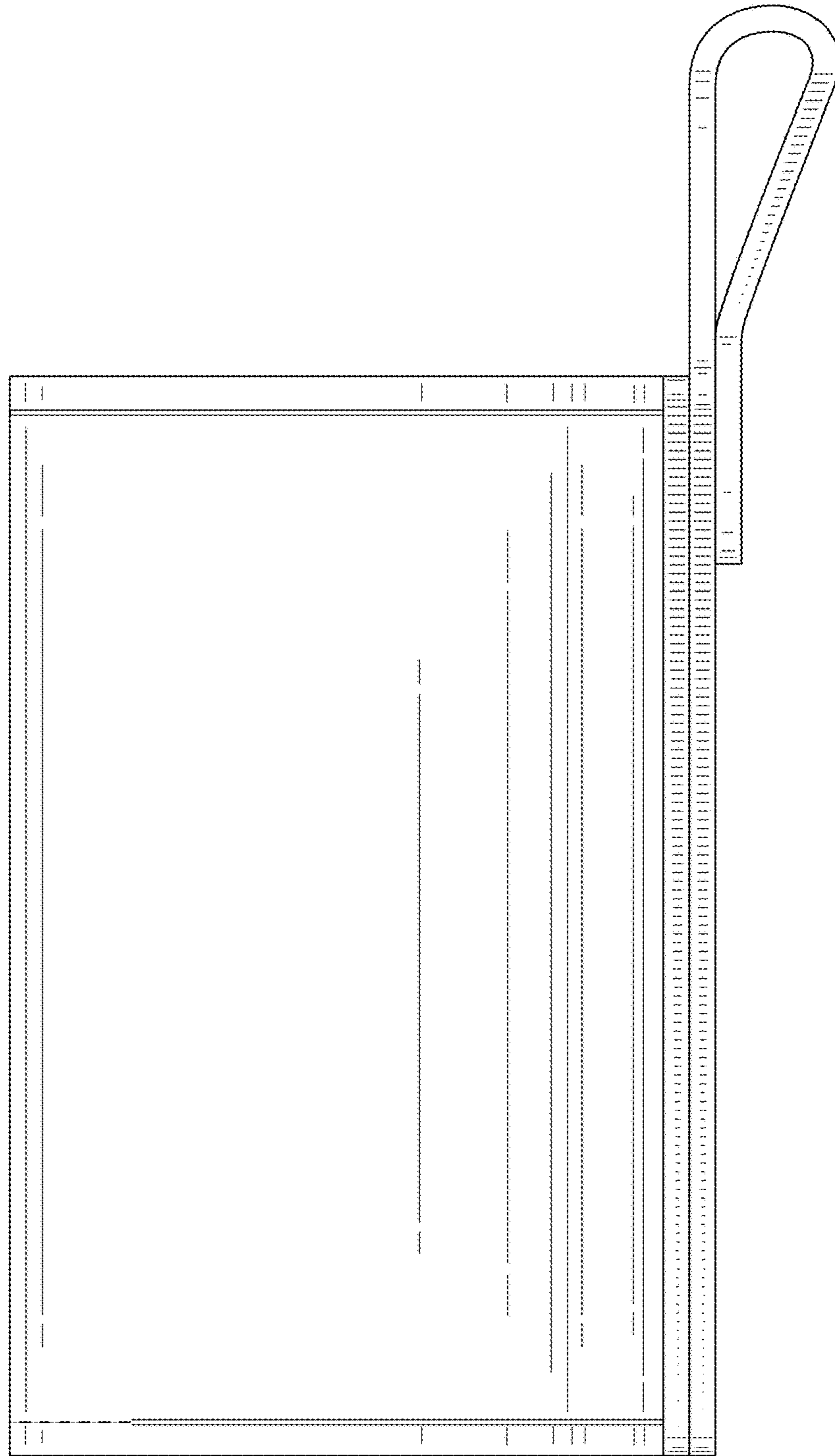
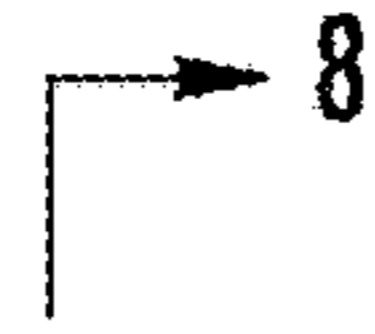
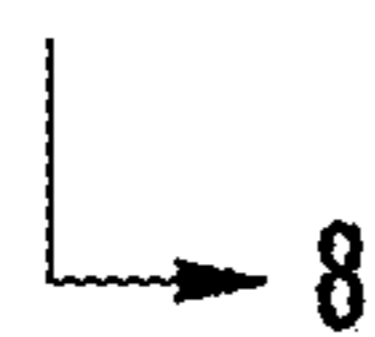


FIG. 4



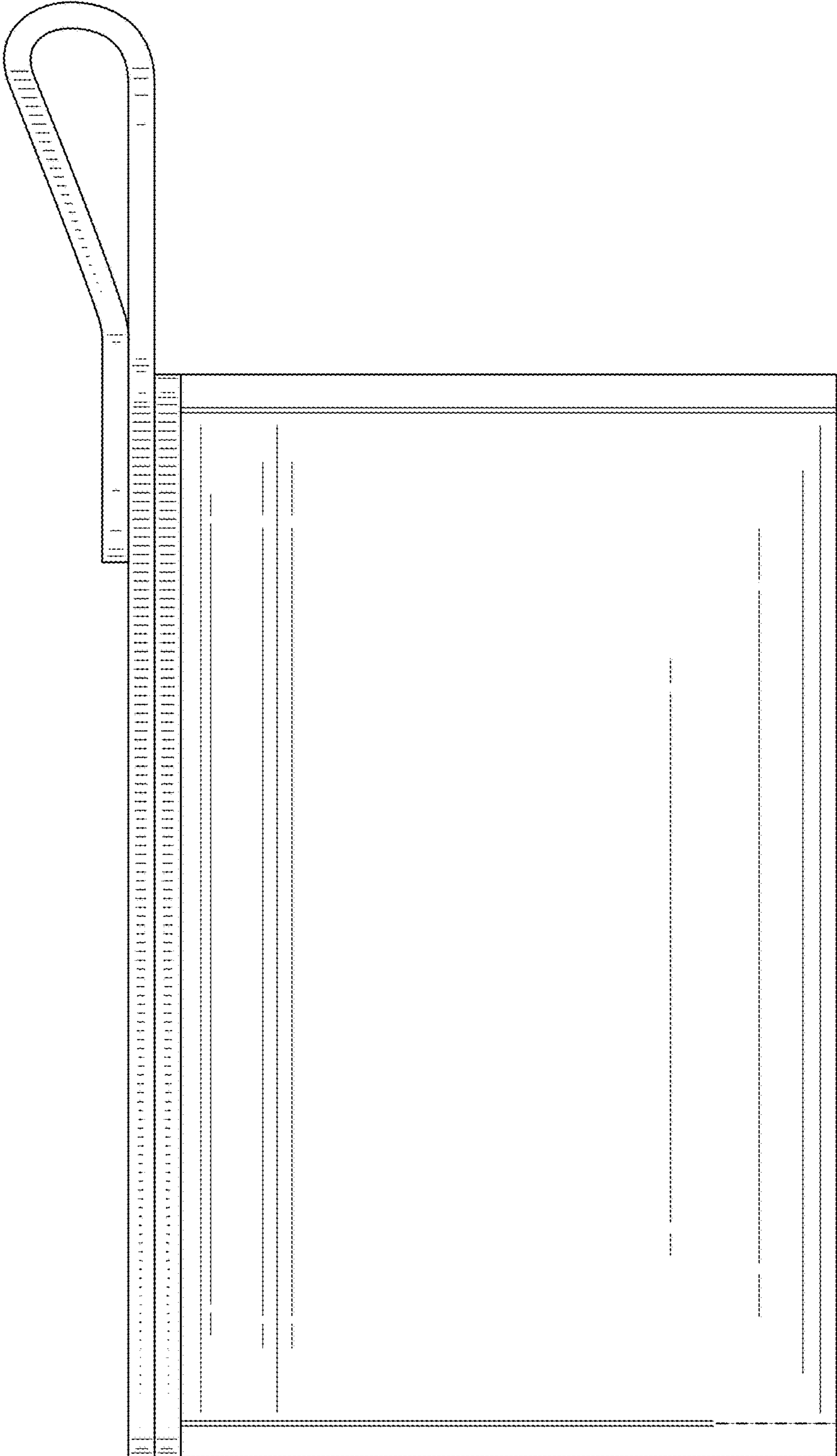


FIG. 5

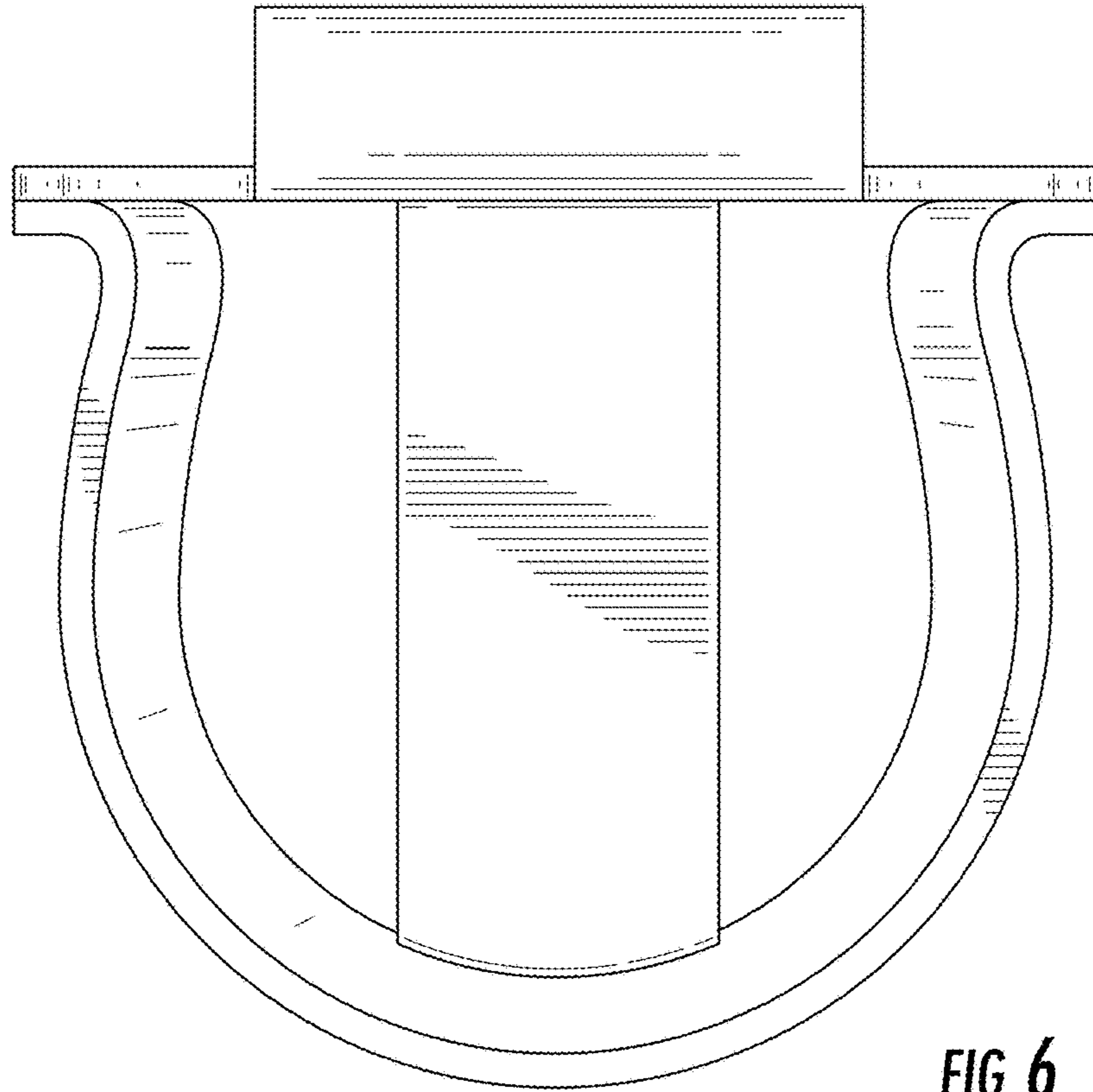


FIG. 6

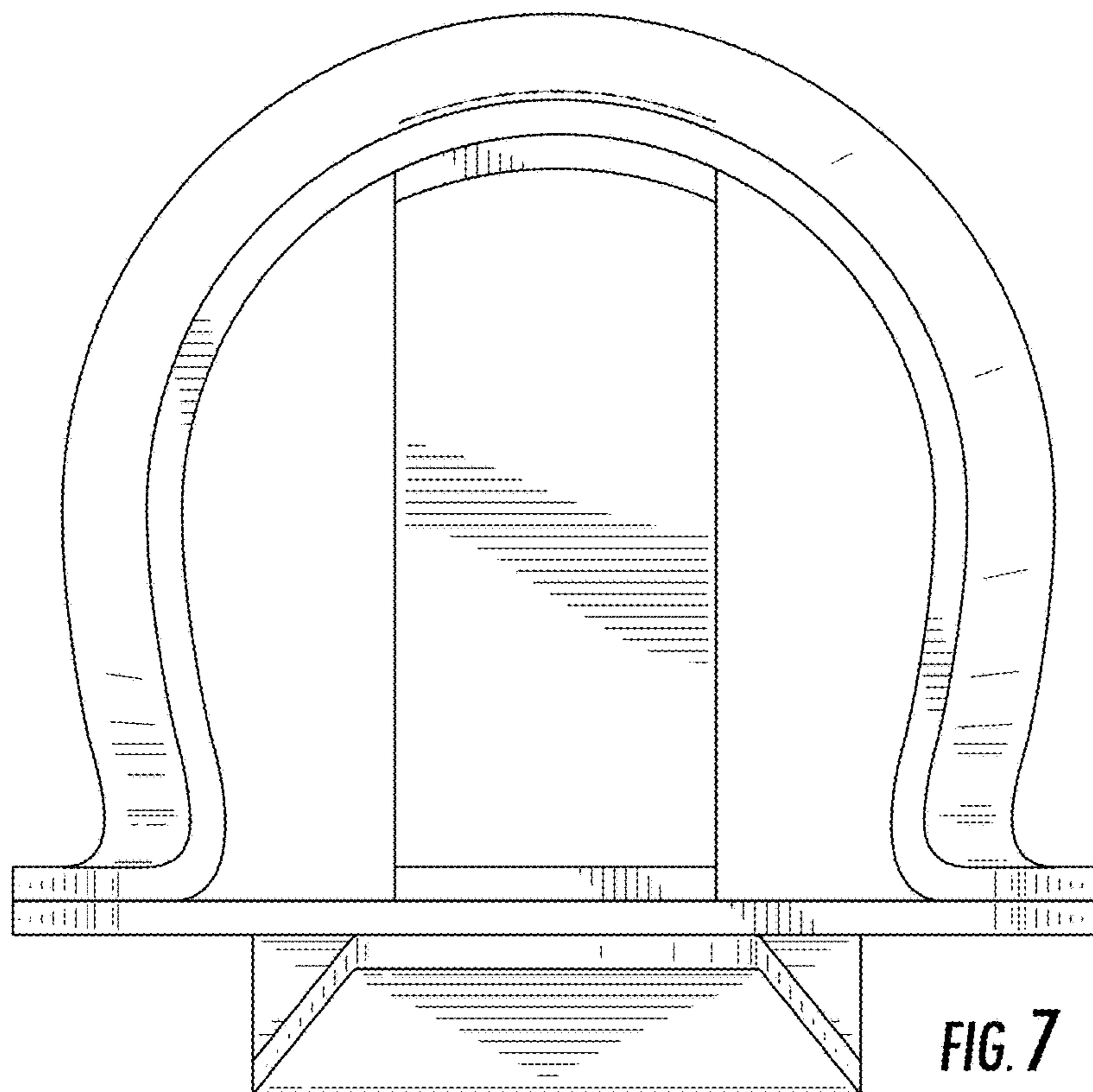


FIG. 7

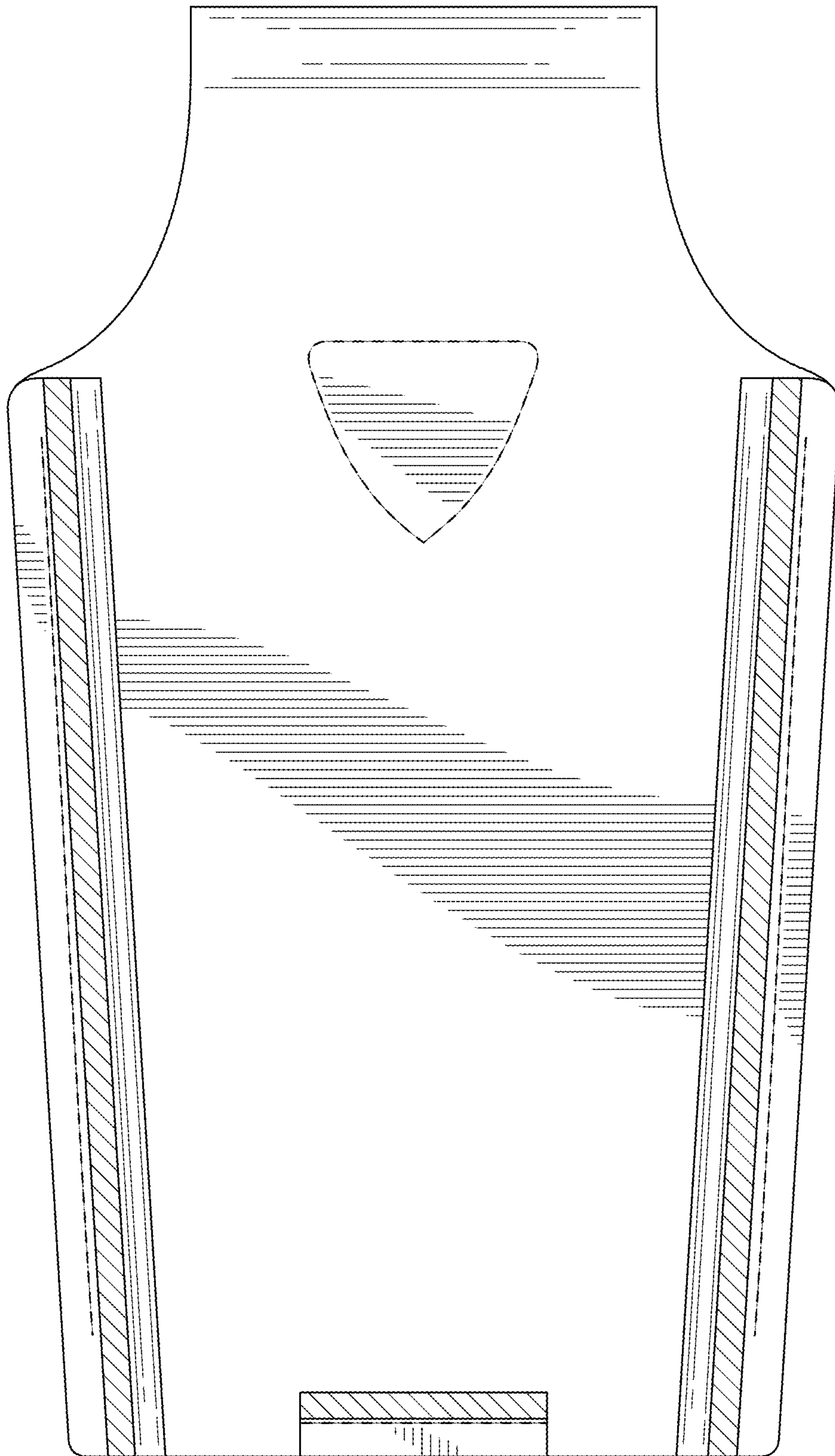


FIG. 8