



US00D825280S

(12) **United States Design Patent**
Bradley

(10) **Patent No.:** **US D825,280 S**
(45) **Date of Patent:** **** Aug. 14, 2018**

(54) **COOLER**

(71) Applicant: **SWELL INDUSTRIES LLC**,
Honolulu, HI (US)

(72) Inventor: **Todd Bradley**, Honolulu, HI (US)

(73) Assignee: **Swell Industries LLC**, Honolulu, HI
(US)

(**) Term: **15 Years**

(21) Appl. No.: **29/585,195**

(22) Filed: **Nov. 21, 2016**

(51) **LOC (11) Cl.** **07-01**

(52) **U.S. Cl.**

USPC **D7/607**

(58) **Field of Classification Search**

USPC D7/603-608, 709; D3/201, 232, 233,
D3/273, 283, 291

CPC A45C 3/04; A45C 7/004; A45C 13/008;
A45C 13/103; A45C 13/26; A45C 13/36;
A45C 11/20; B60Q 7/005; B65D
81/3897;

(Continued)

(56) **References Cited**

U.S. PATENT DOCUMENTS

2,457,422 A * 12/1948 Warner A45C 3/04
383/10

D324,977 S * 3/1992 Rosson D3/232

(Continued)

Primary Examiner — Terry A Wallace

(74) *Attorney, Agent, or Firm* — McCoy Russell LLP

(57) **CLAIM**

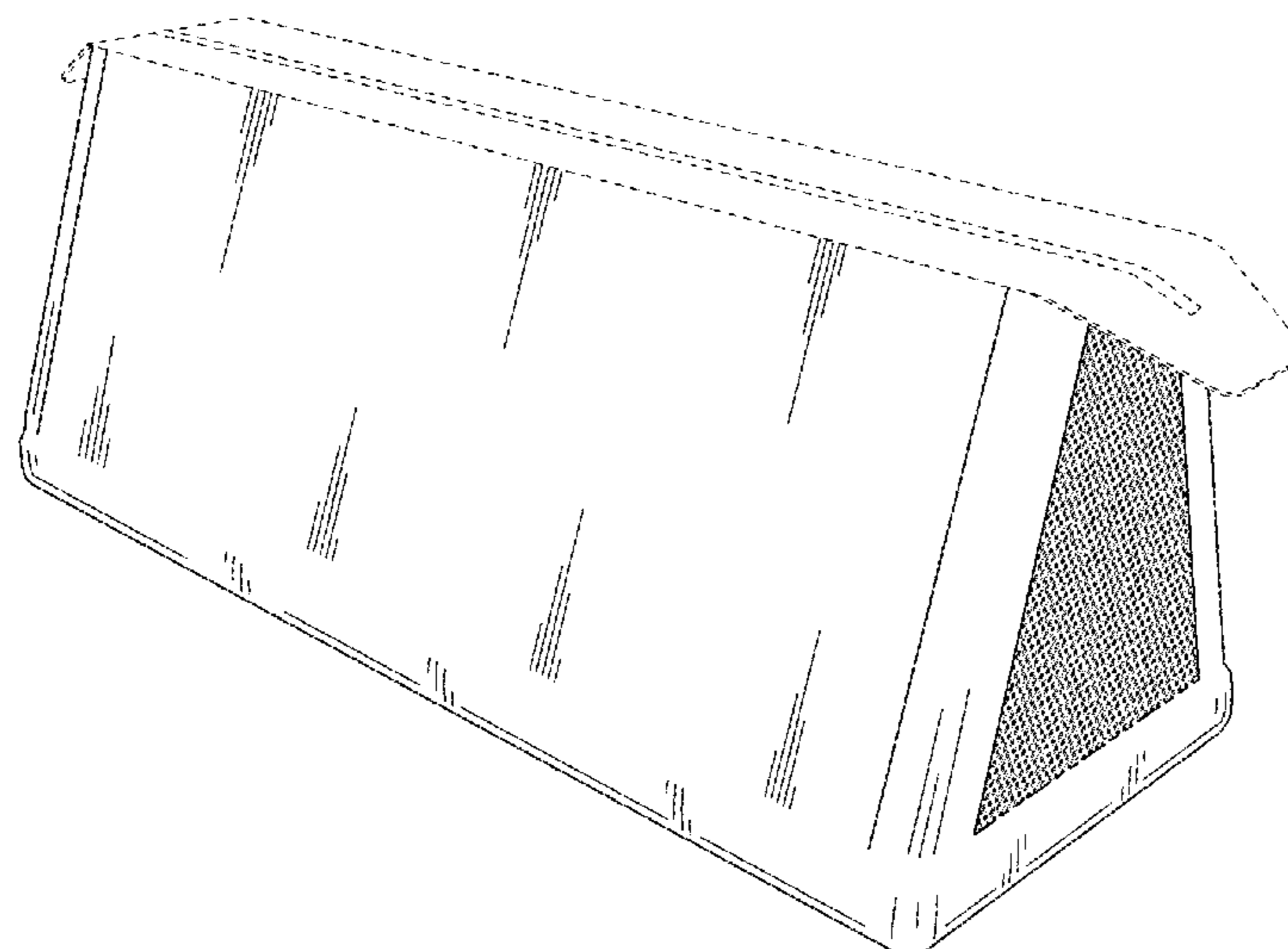
The ornamental design for a cooler, as shown and described.

DESCRIPTION

FIG. 1 shows a right, front perspective view of a cooler showing my new design.

FIG. 2 shows a top view of the cooler of FIG. 1.
FIG. 3 shows a front view of the cooler of FIG. 1.
FIG. 4 shows a back view of the cooler of FIG. 1.
FIG. 5 shows a bottom view of the cooler of FIG. 1.
FIG. 6 shows a right side view of the cooler of FIG. 1, including the surface texture.
FIG. 7 shows a left side view of the cooler of FIG. 1.
FIG. 8 shows an enlarged view of the surface texture of FIG. 1 comprising a dimpled surface.
FIG. 9 shows a right, front perspective view of a second cooler showing my new design.
FIG. 10 shows a top view of the cooler of FIG. 9.
FIG. 11 shows a front view of the cooler of FIG. 9.
FIG. 12 shows a back view of the cooler of FIG. 9.
FIG. 13 shows a bottom view of the cooler of FIG. 9.
FIG. 14 shows a right side view of the cooler of FIG. 9, including the surface texture.
FIG. 15 shows a left side view of the cooler of FIG. 9.
FIG. 16 shows an enlarged view of the surface texture of FIG. 9 comprising a dimpled surface.
FIG. 17 shows a right, front perspective view of a third cooler showing my new design.
FIG. 18 shows a top view of the cooler of FIG. 17.
FIG. 19 shows a front view of the cooler of FIG. 17.
FIG. 20 shows a back view of the cooler of FIG. 17.
FIG. 21 shows a bottom view of the cooler of FIG. 17.
FIG. 22 shows a right side view of the cooler of FIG. 17, including the surface texture.
FIG. 23 shows a left side view of the cooler of FIG. 17; and, FIG. 24 shows an enlarged view of the surface texture of FIG. 17 comprising a dimpled surface.
The shorter dashed broken lines in FIGS. 1-7, 9-15, and 17-23 are for illustrative purposes only and form no part of the claimed design. The long dash double short dash broken lines in FIGS. 1, 6, 8, 9, 14, 16, 17, 22, and 24 define the boundary of the surface texture over the right side of the cooler, which extends to the boundary but does not include the boundary.

1 Claim, 12 Drawing Sheets



(58) **Field of Classification Search**

CPC B65D 81/38; B65D 81/3848; B65D 31/04;
B65D 31/08; F25D 3/08; F25D 3/14;
F25D 2331/804; A44B 19/301

See application file for complete search history.

(56) **References Cited**

U.S. PATENT DOCUMENTS

D475,250 S *	6/2003	Crandall	D7/607
D475,251 S *	6/2003	Crandall	D7/607
D575,059 S *	8/2008	Cappiello	D3/283
D695,571 S *	12/2013	Woitalla	D7/601
2007/0053618 A1 *	3/2007	Schoening	A47J 47/14 383/110

* cited by examiner

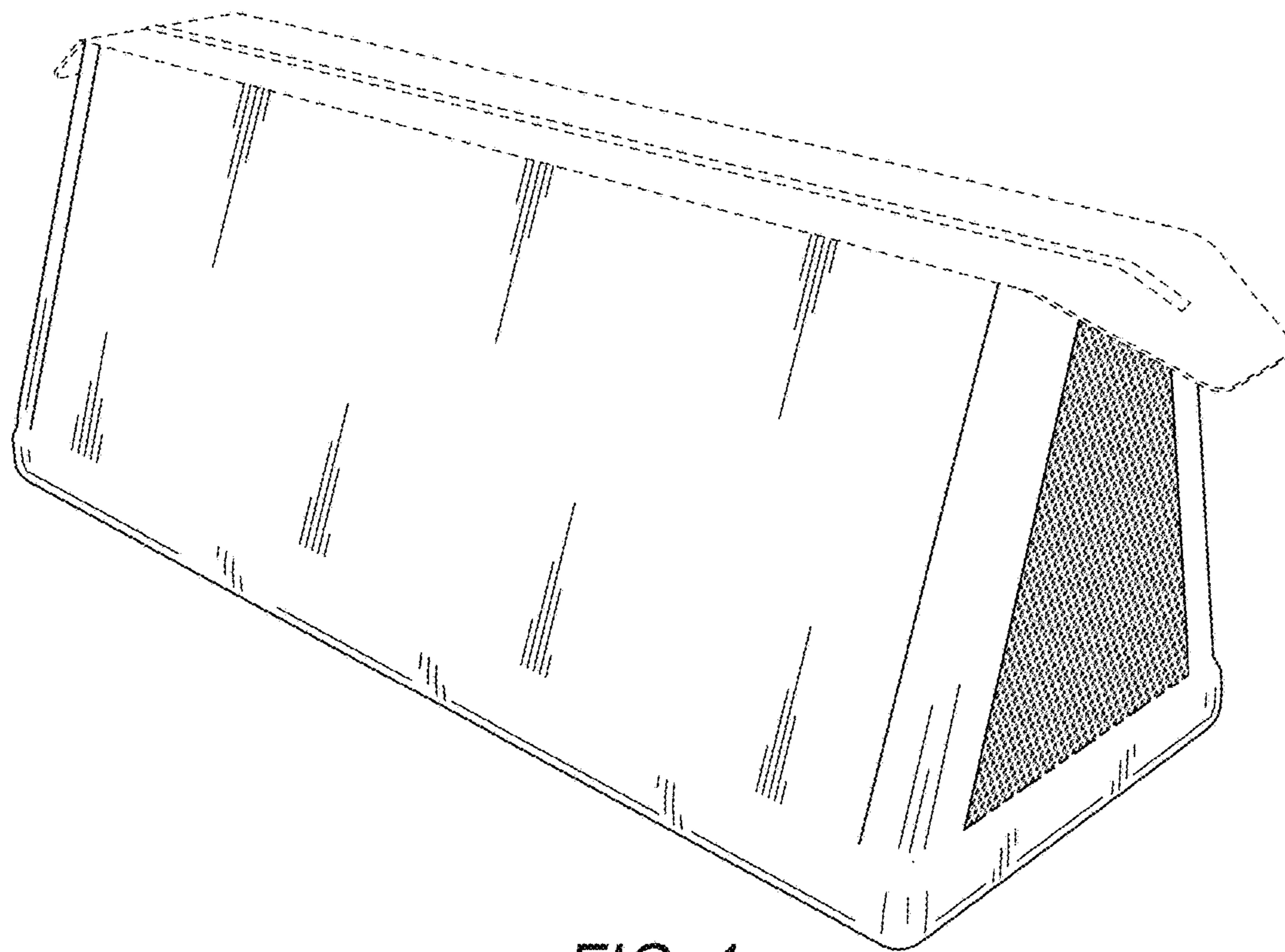


FIG. 1

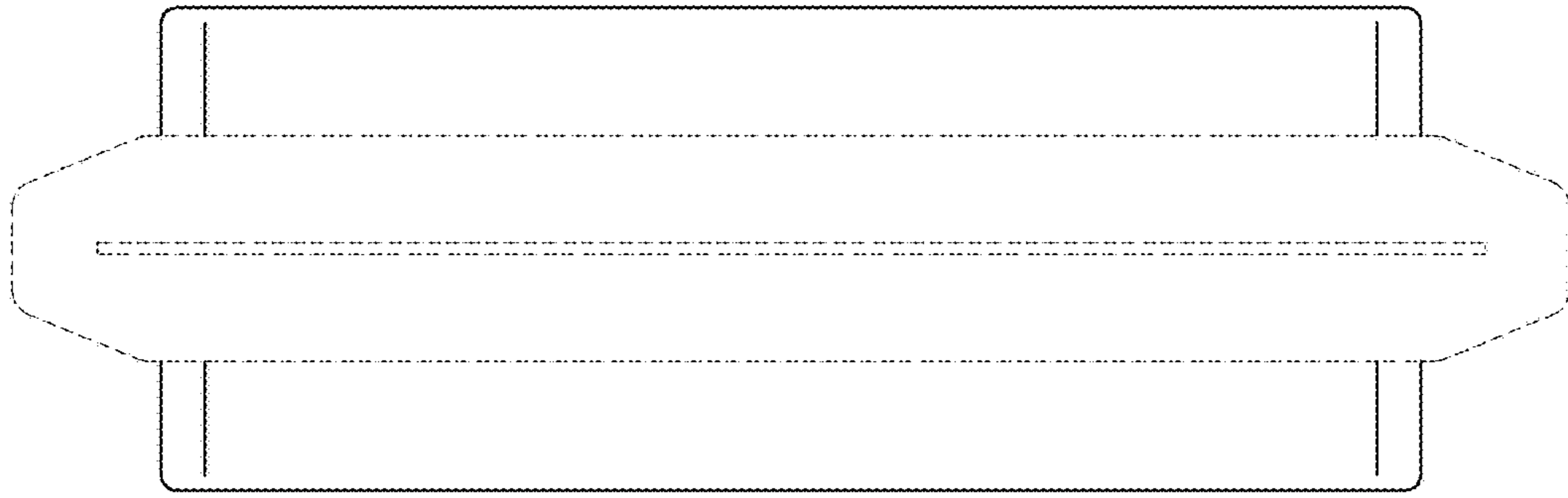


FIG. 2

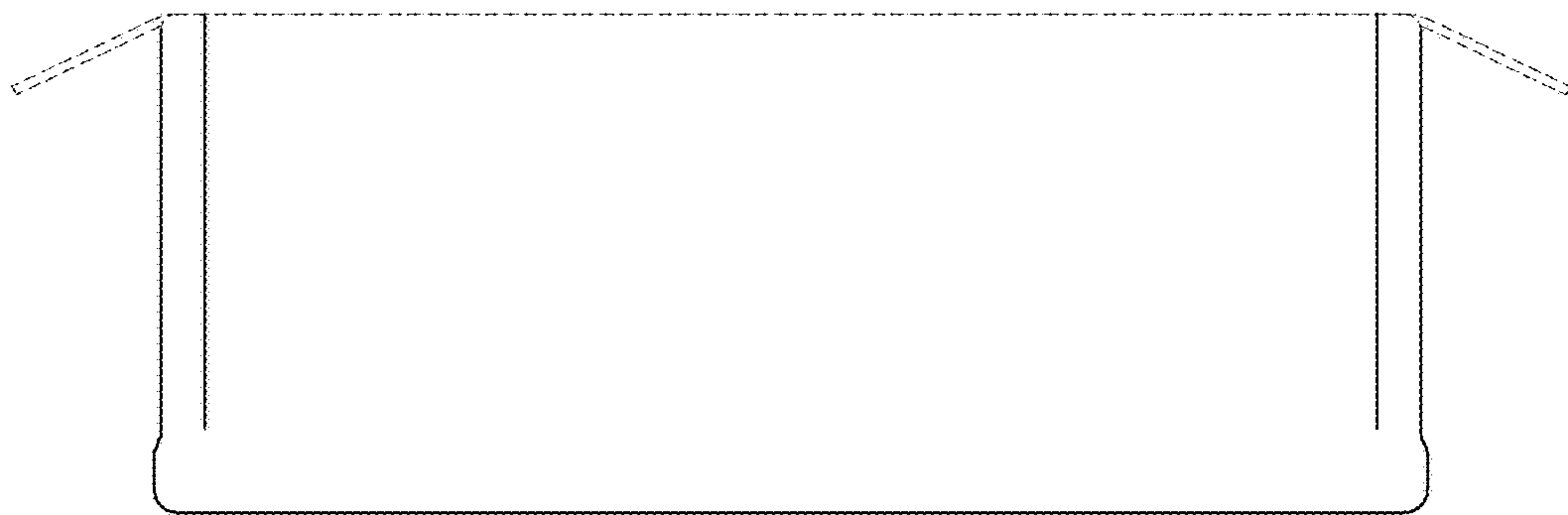


FIG. 3

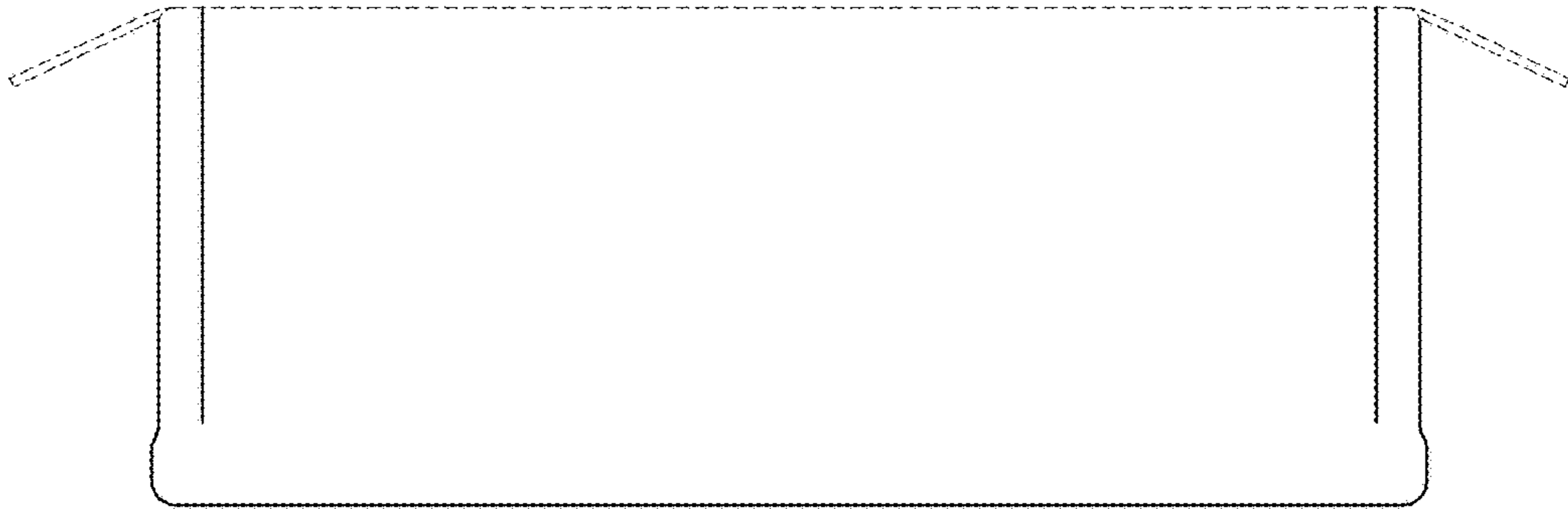


FIG. 4

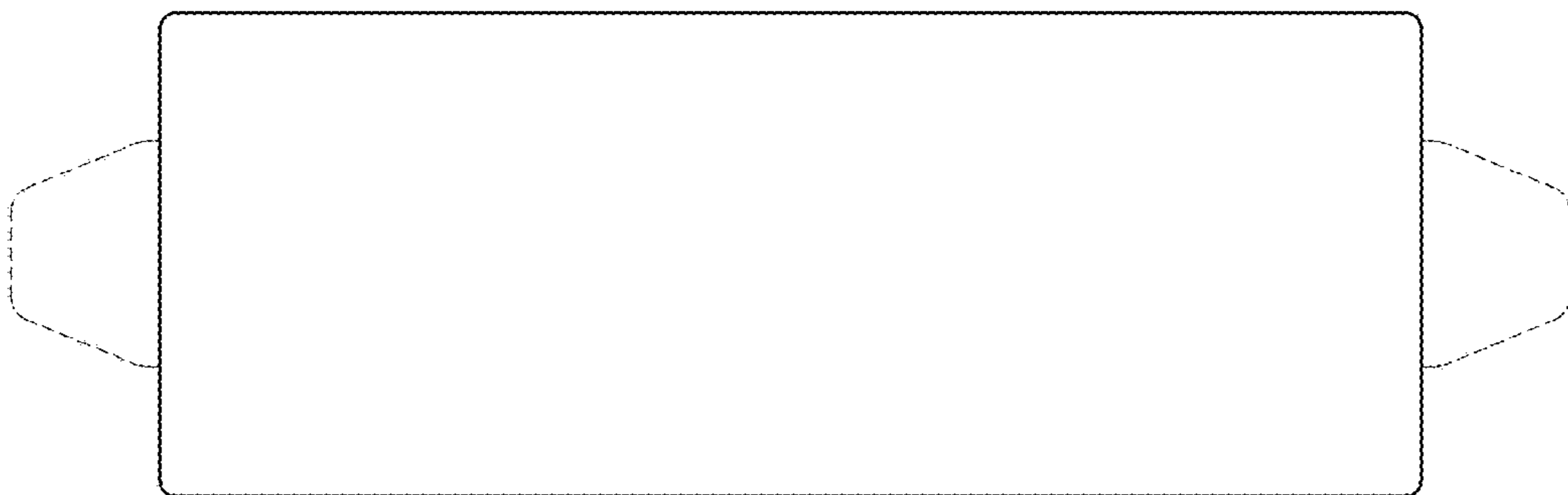


FIG. 5

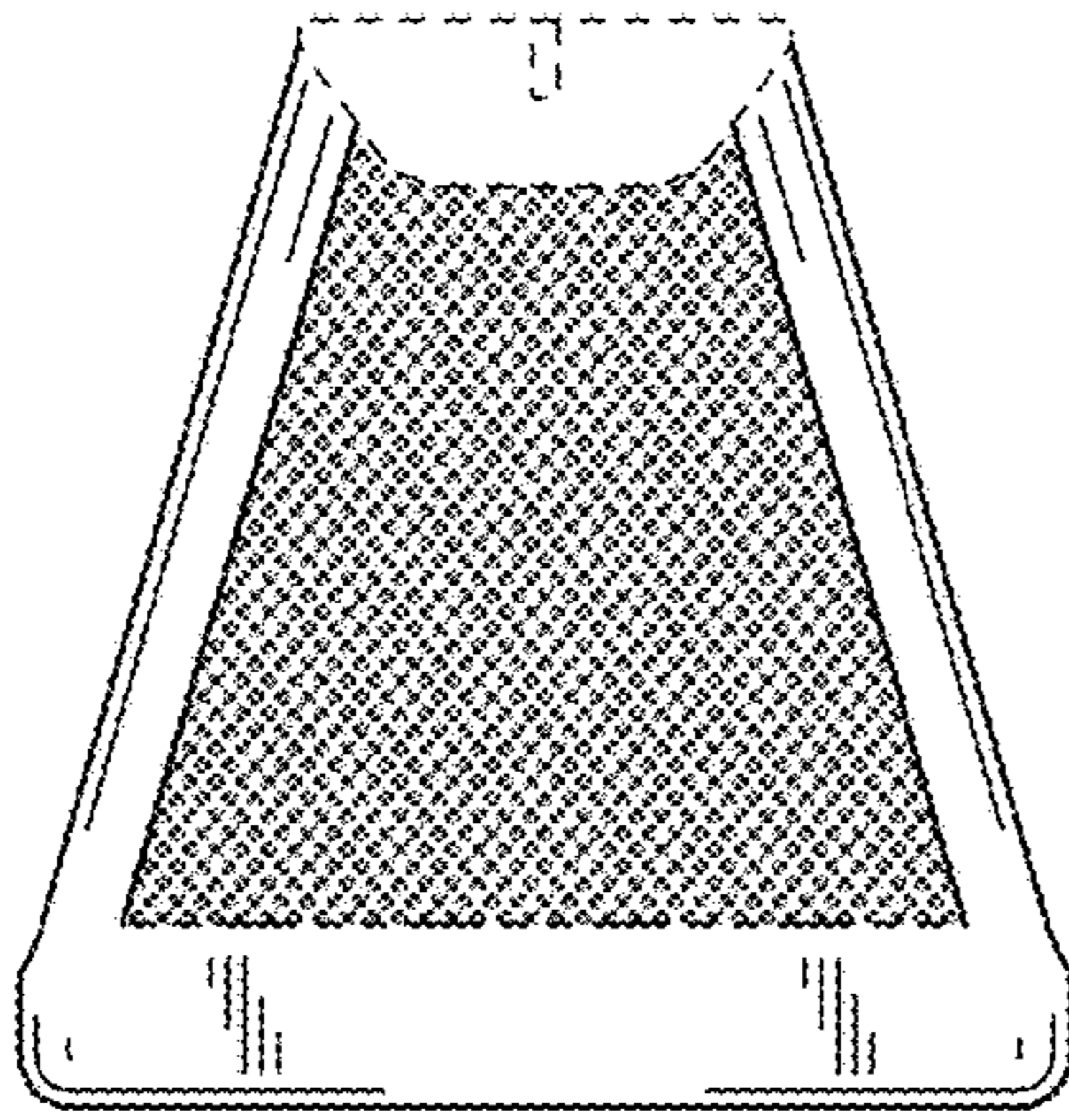


FIG. 6

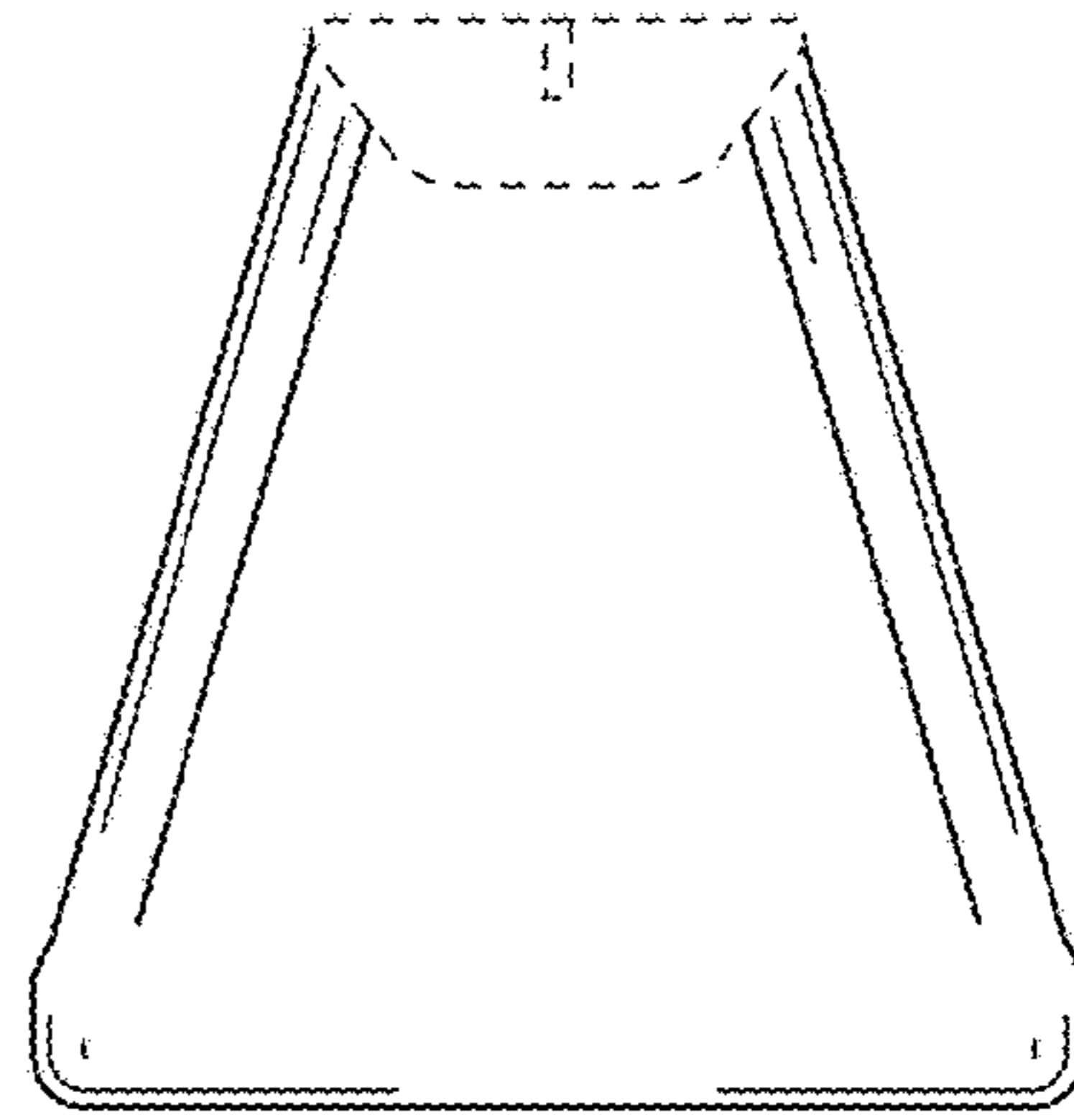


FIG. 7

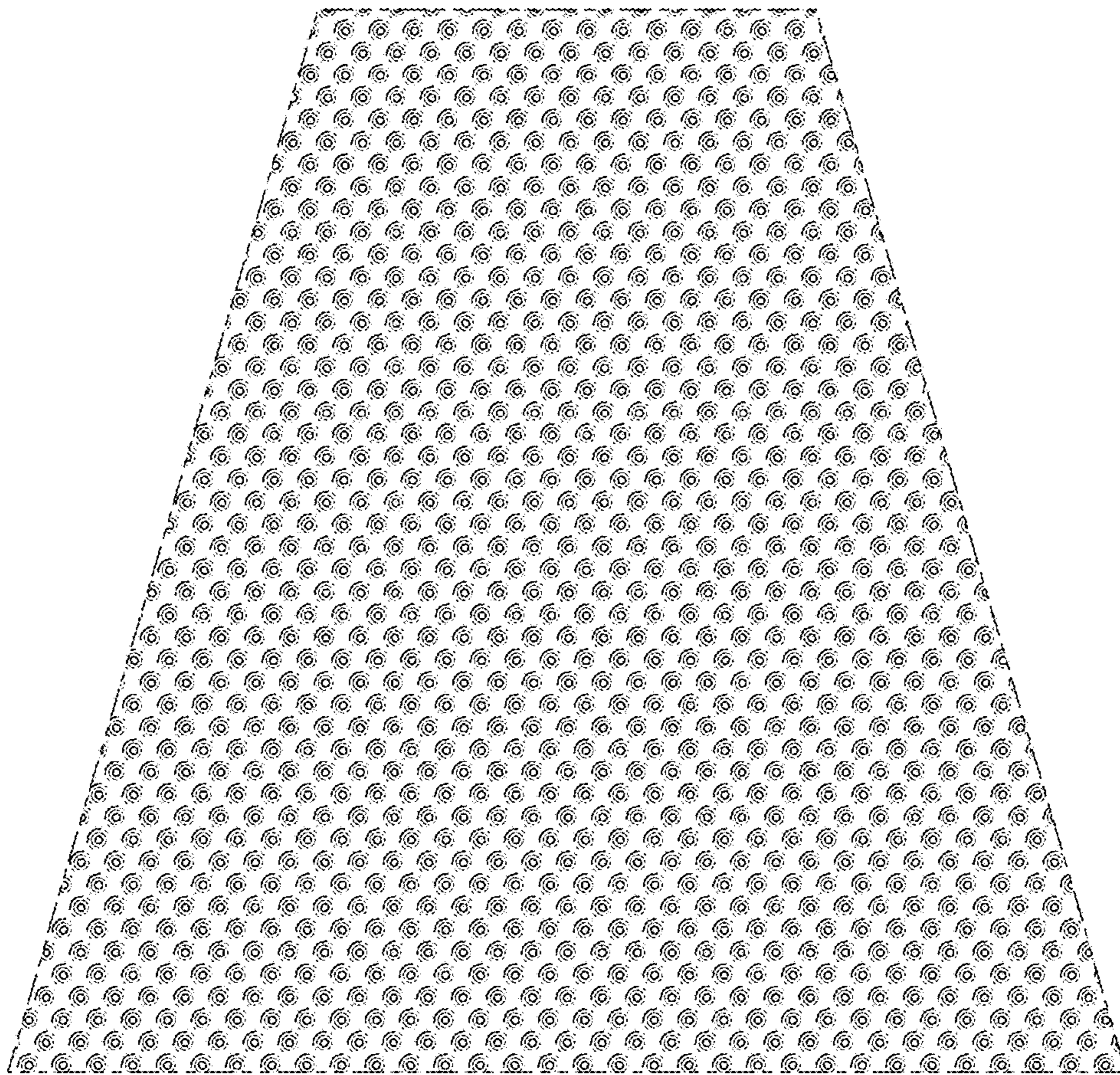


FIG. 8

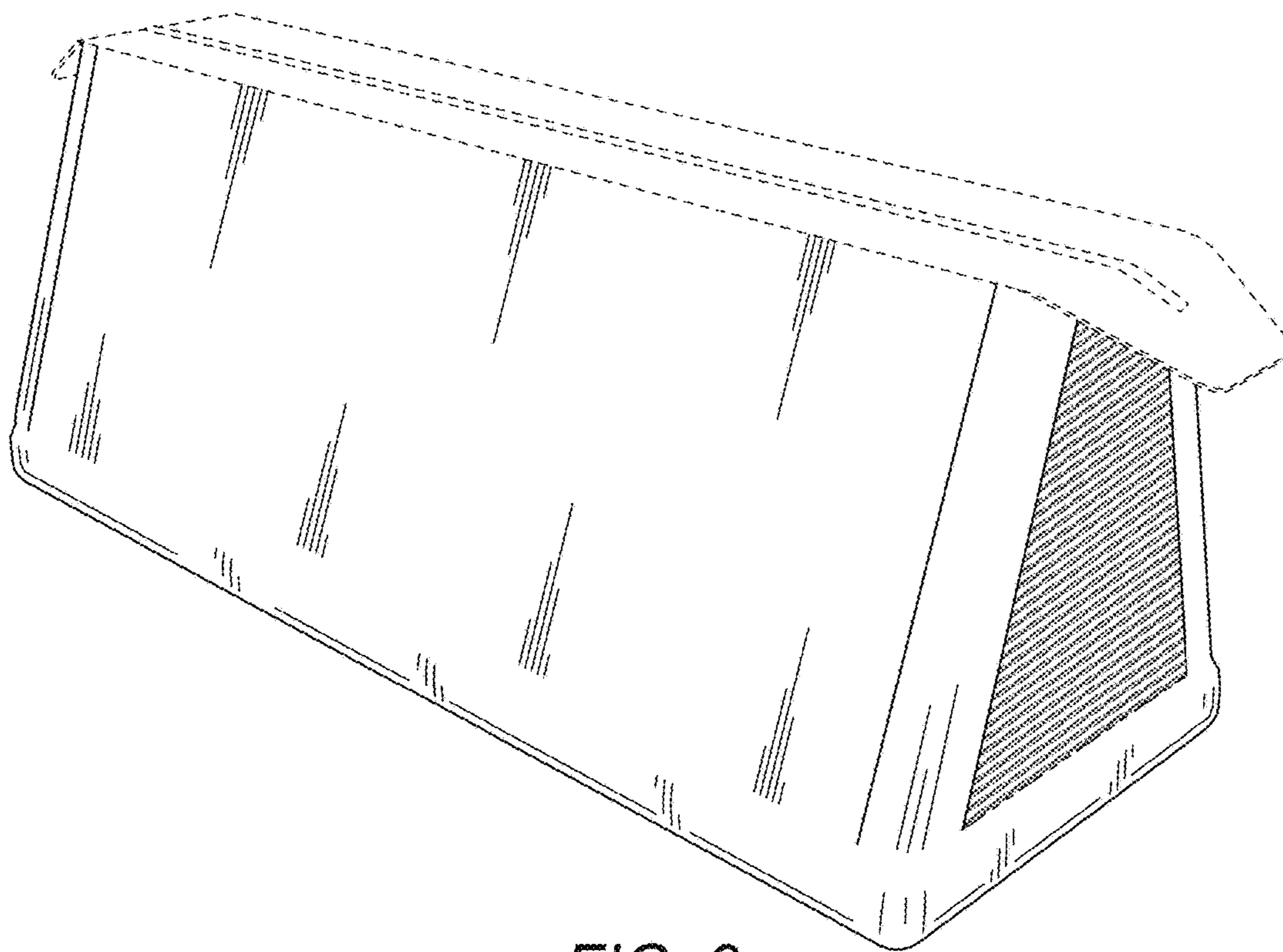


FIG. 9

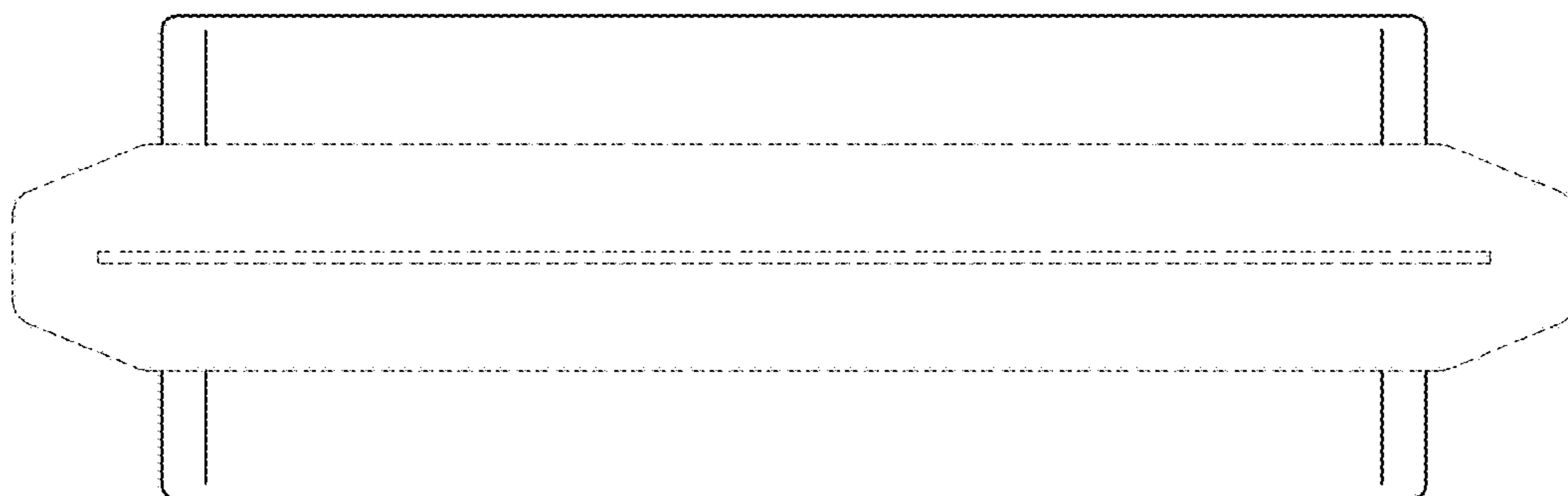


FIG. 10

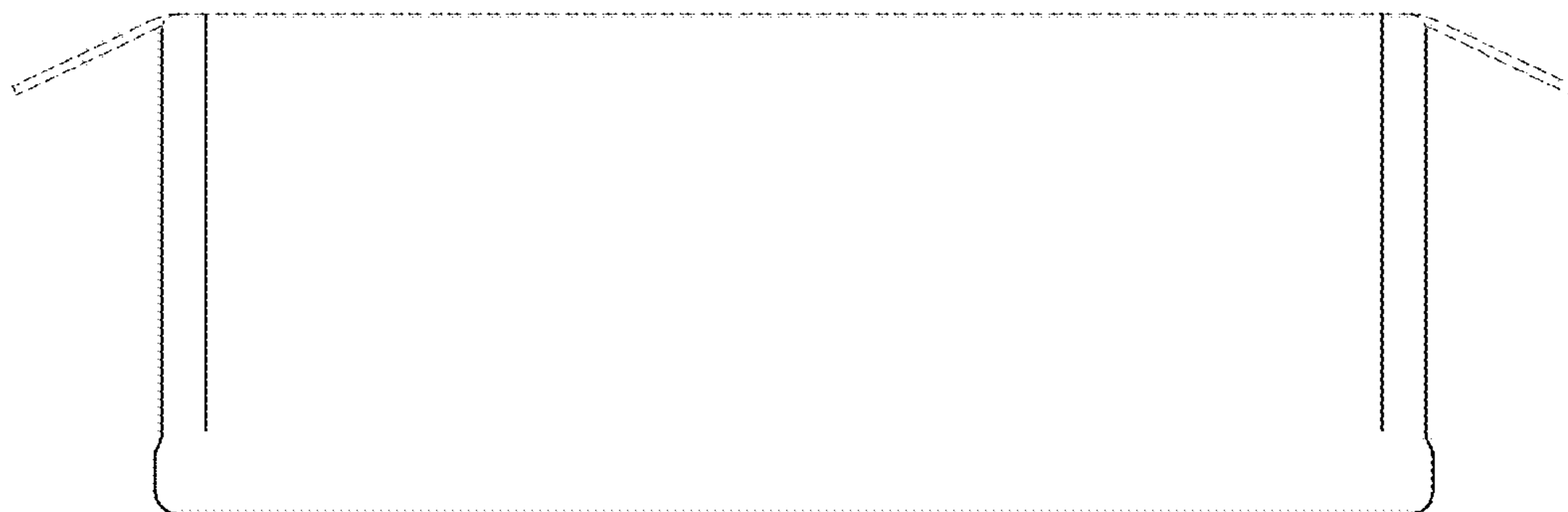


FIG. 11

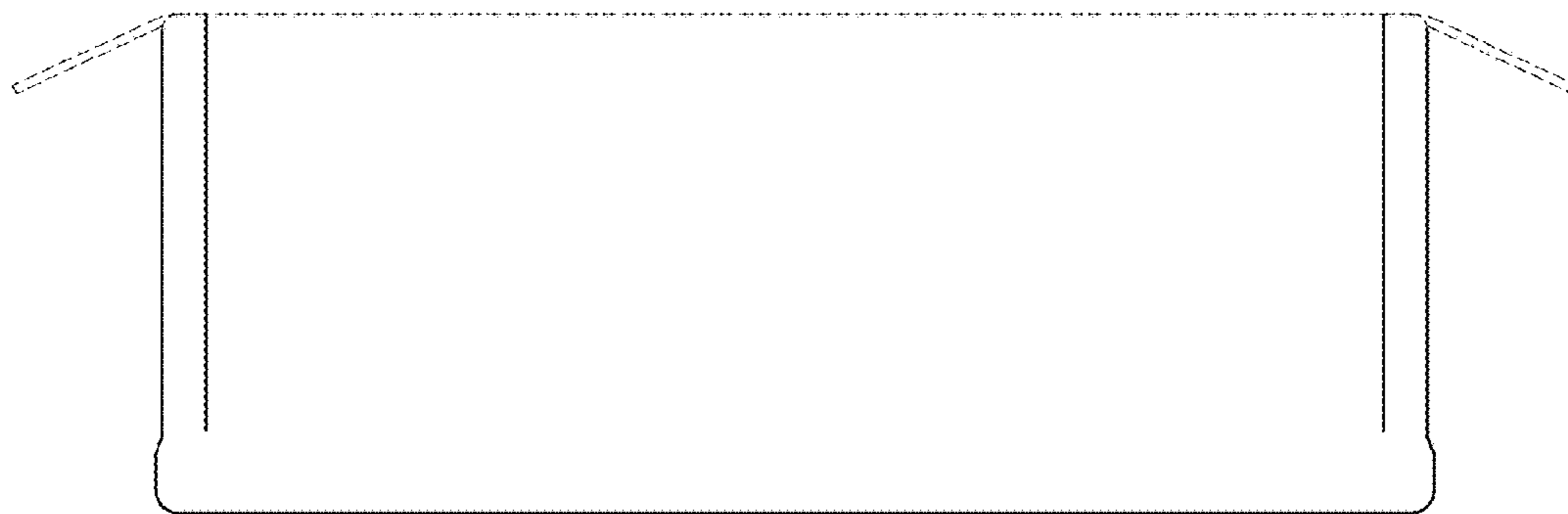


FIG. 12

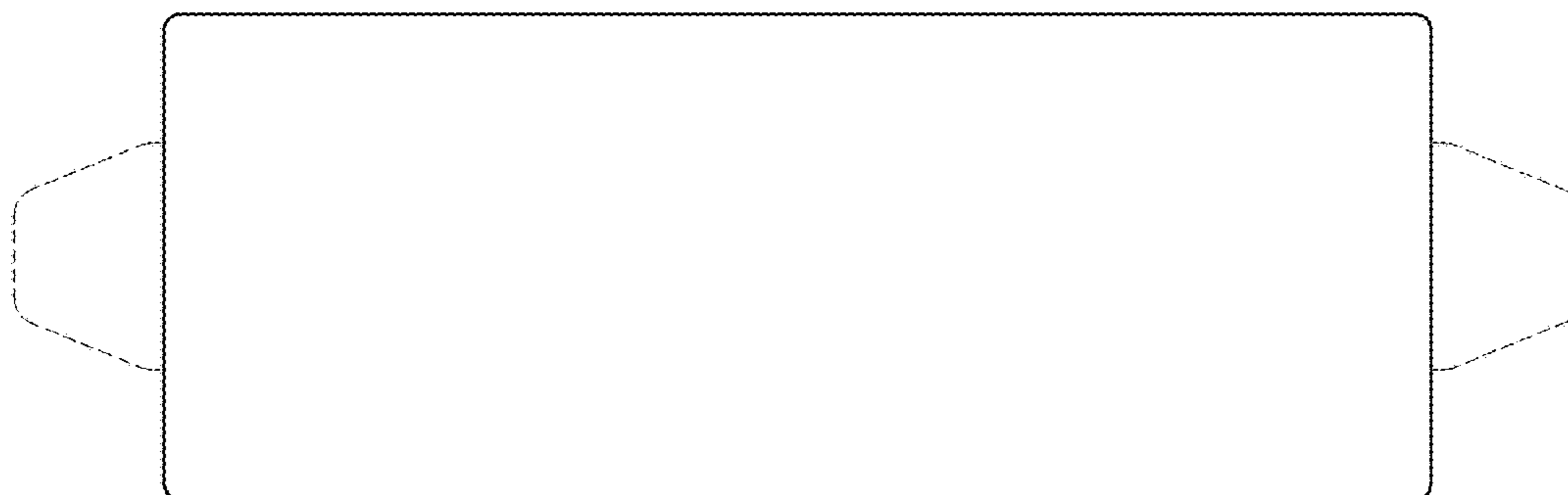


FIG. 13

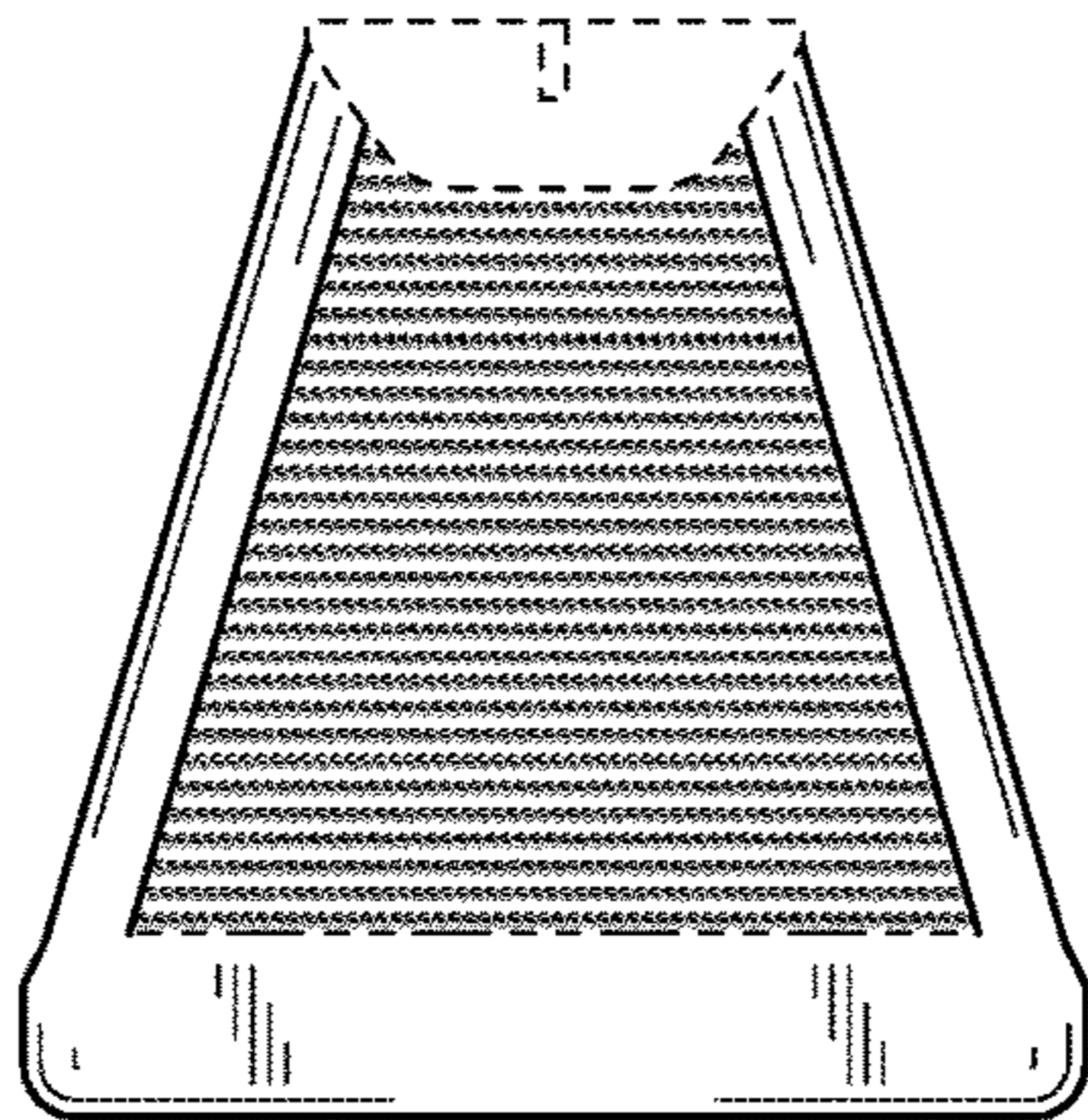


FIG. 14

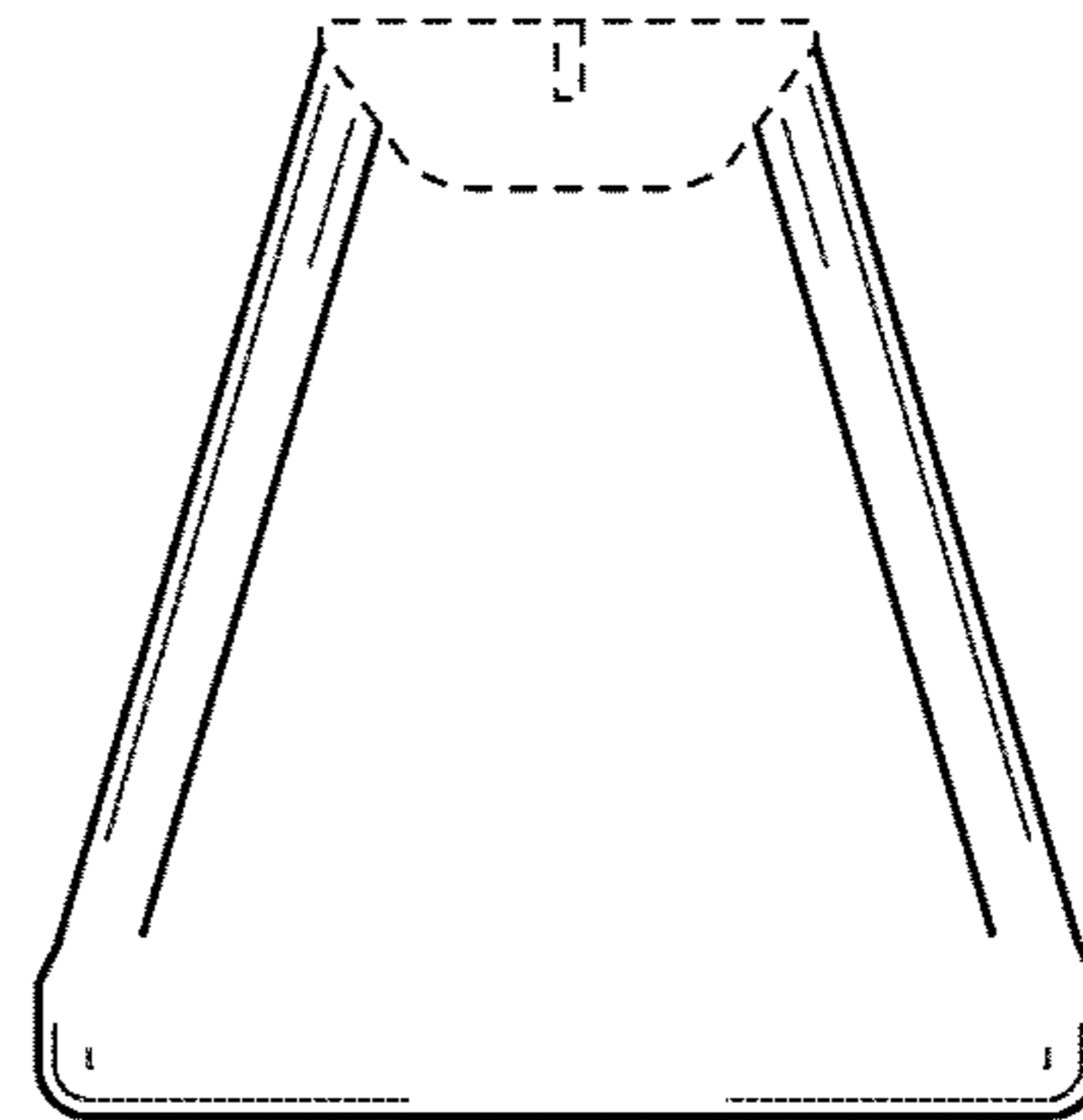


FIG. 15

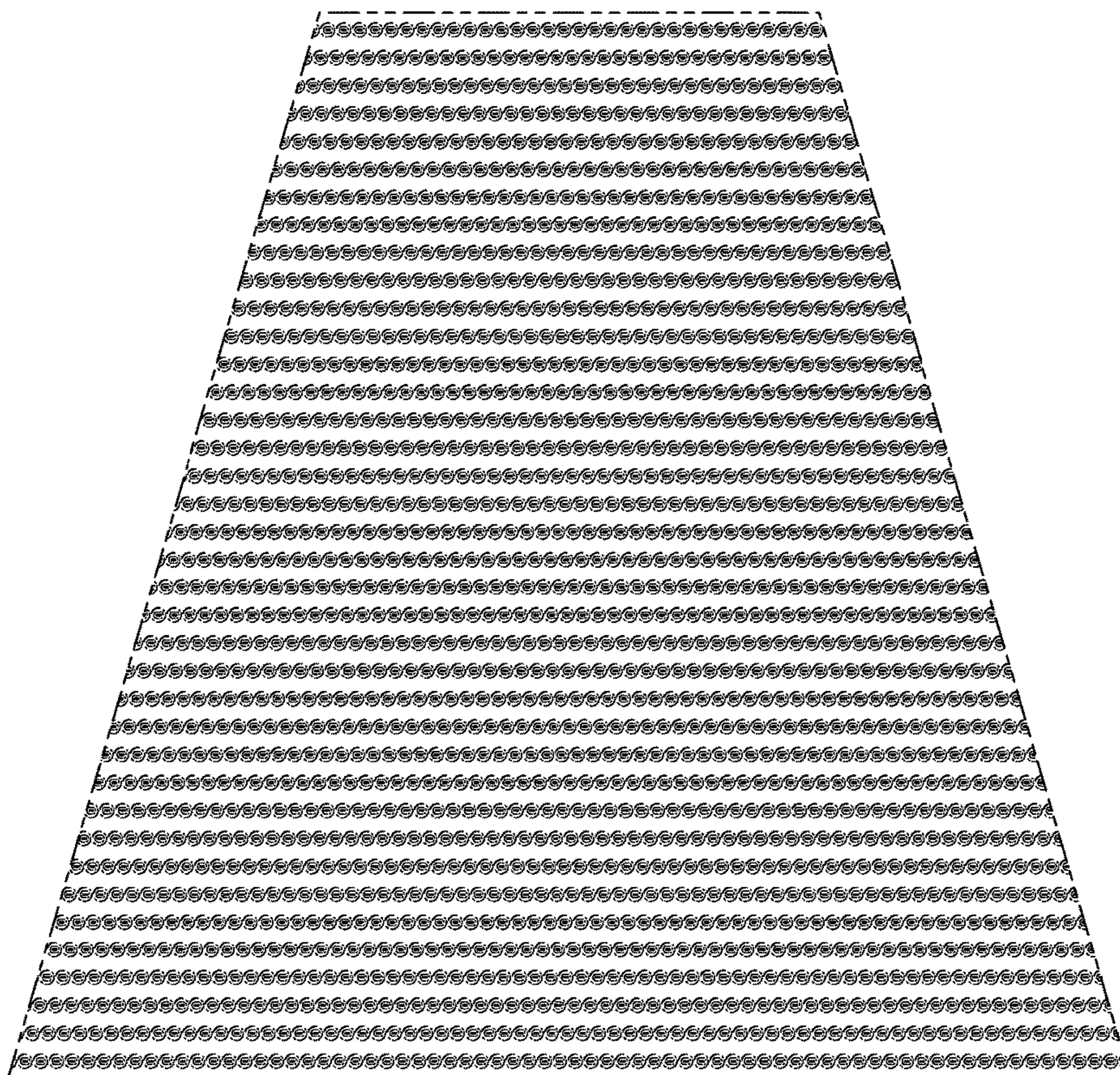


FIG. 16

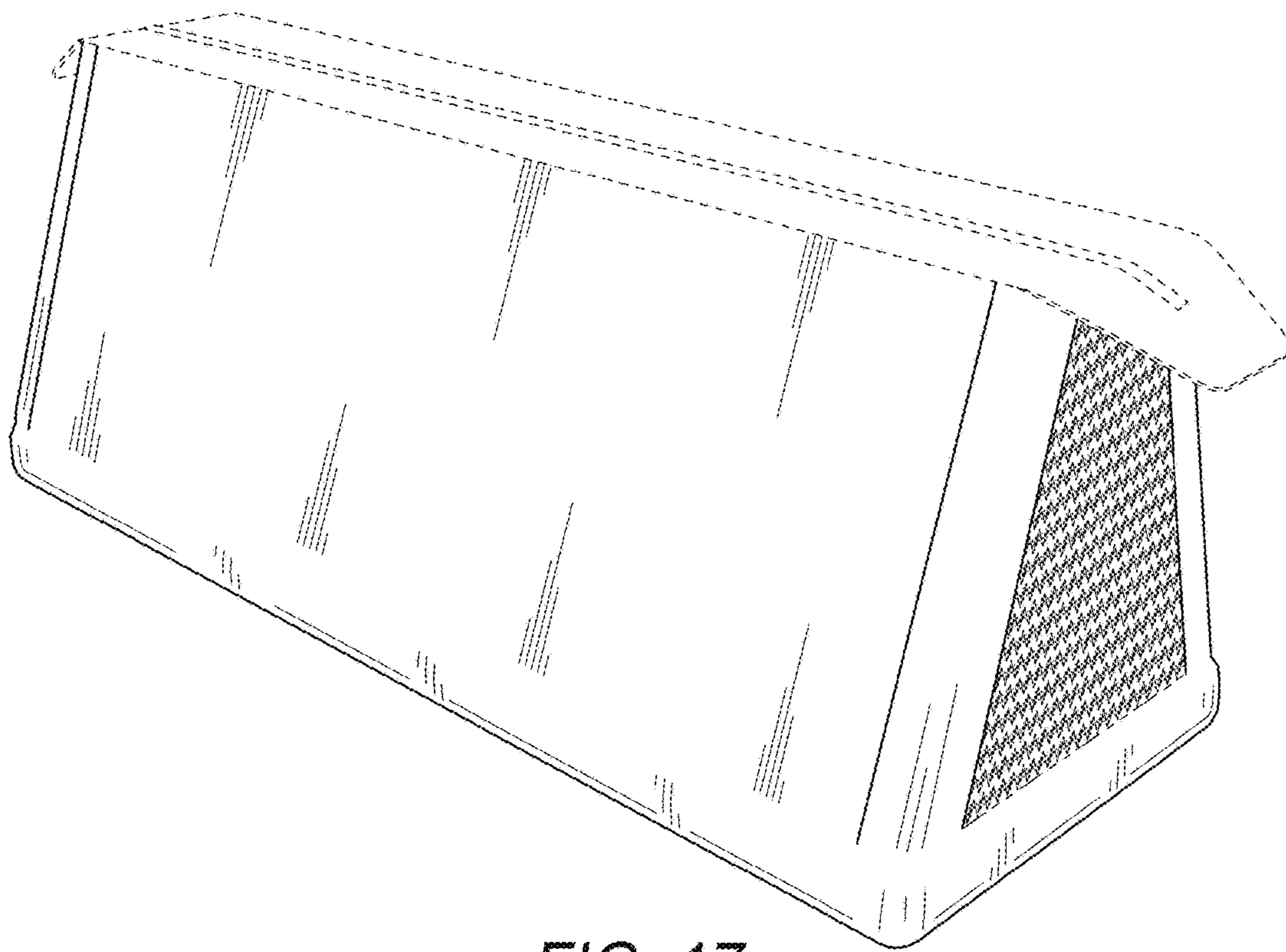


FIG. 17

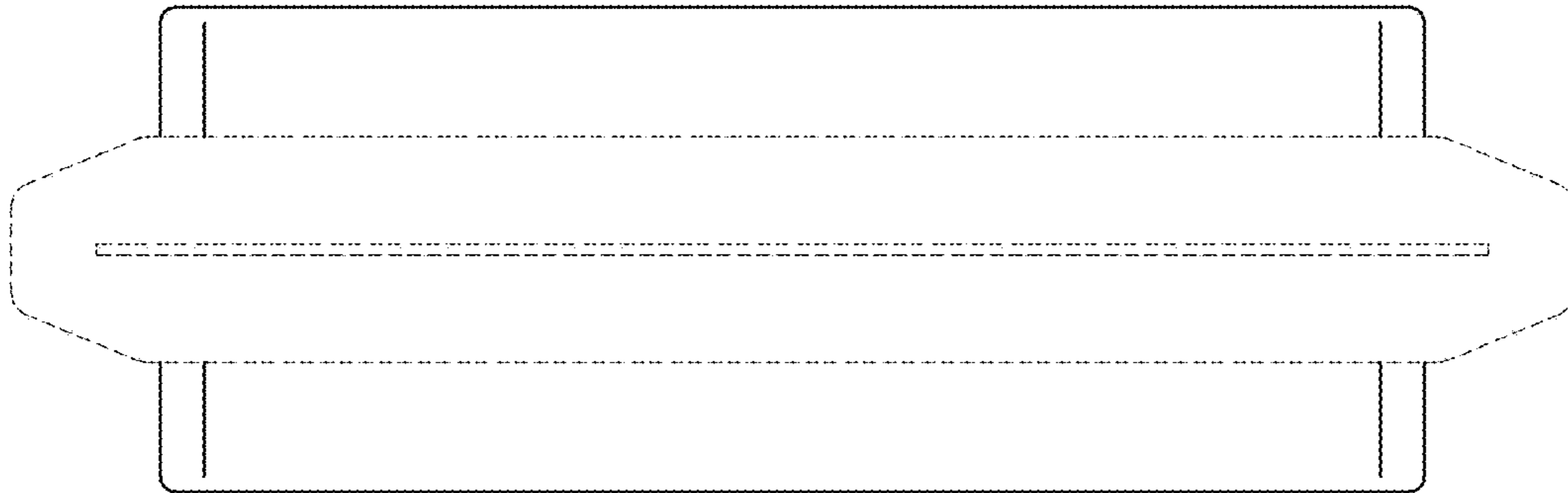


FIG. 18

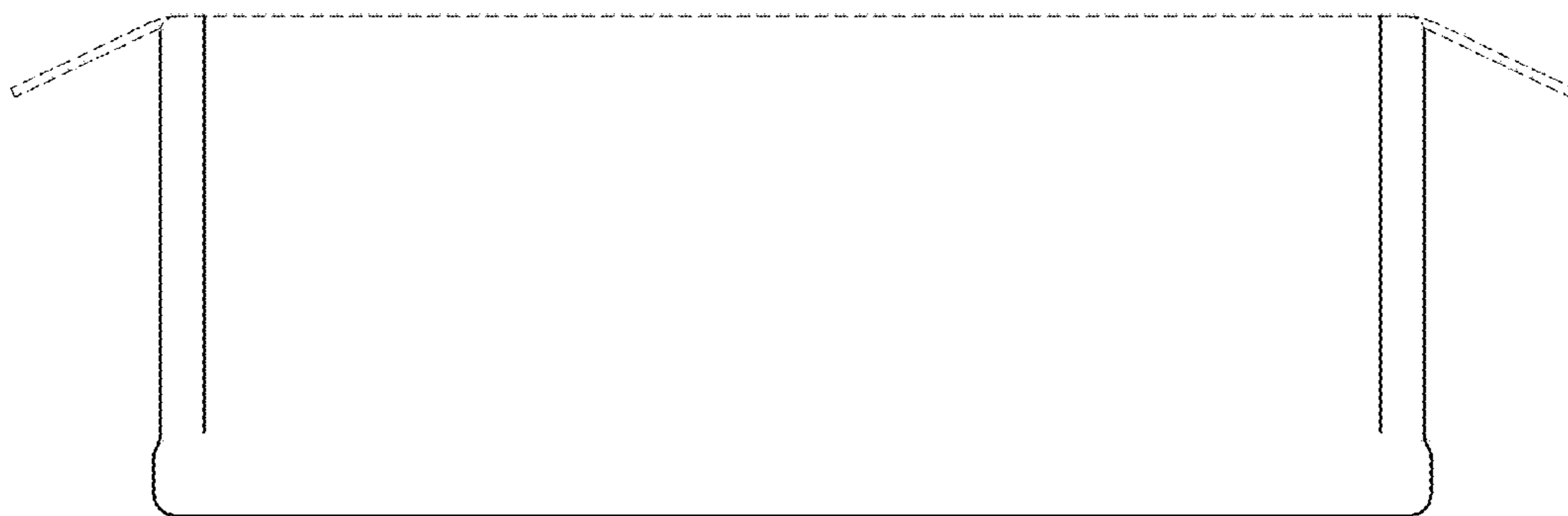


FIG. 19

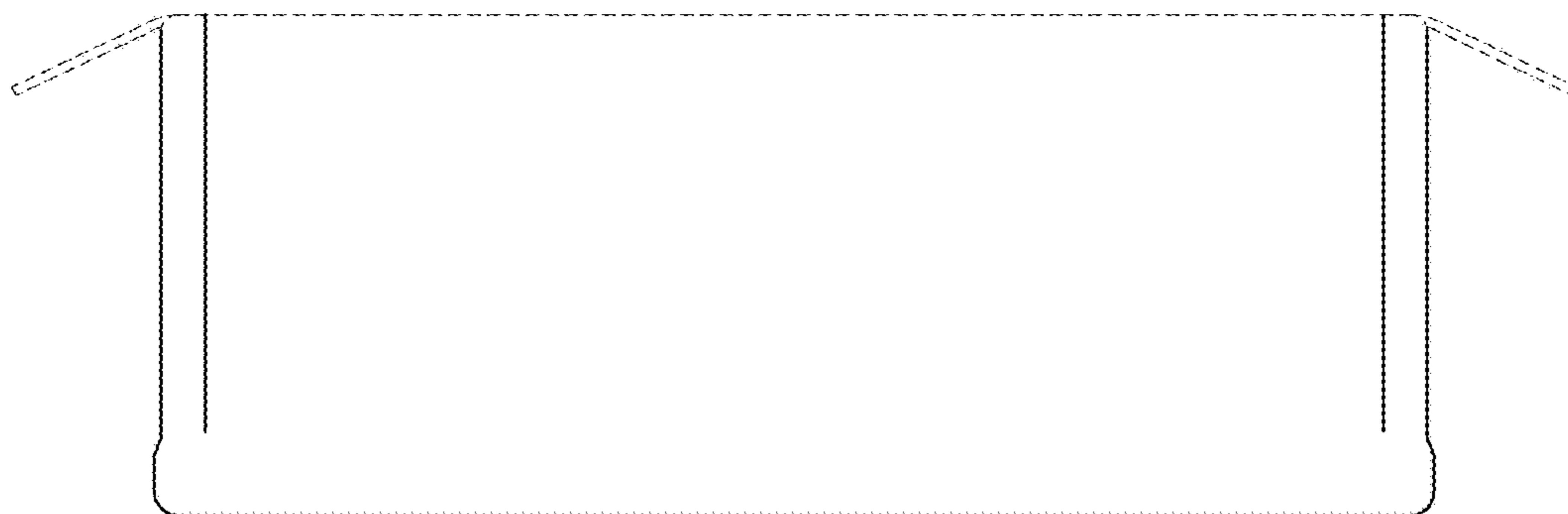


FIG. 20



FIG. 21

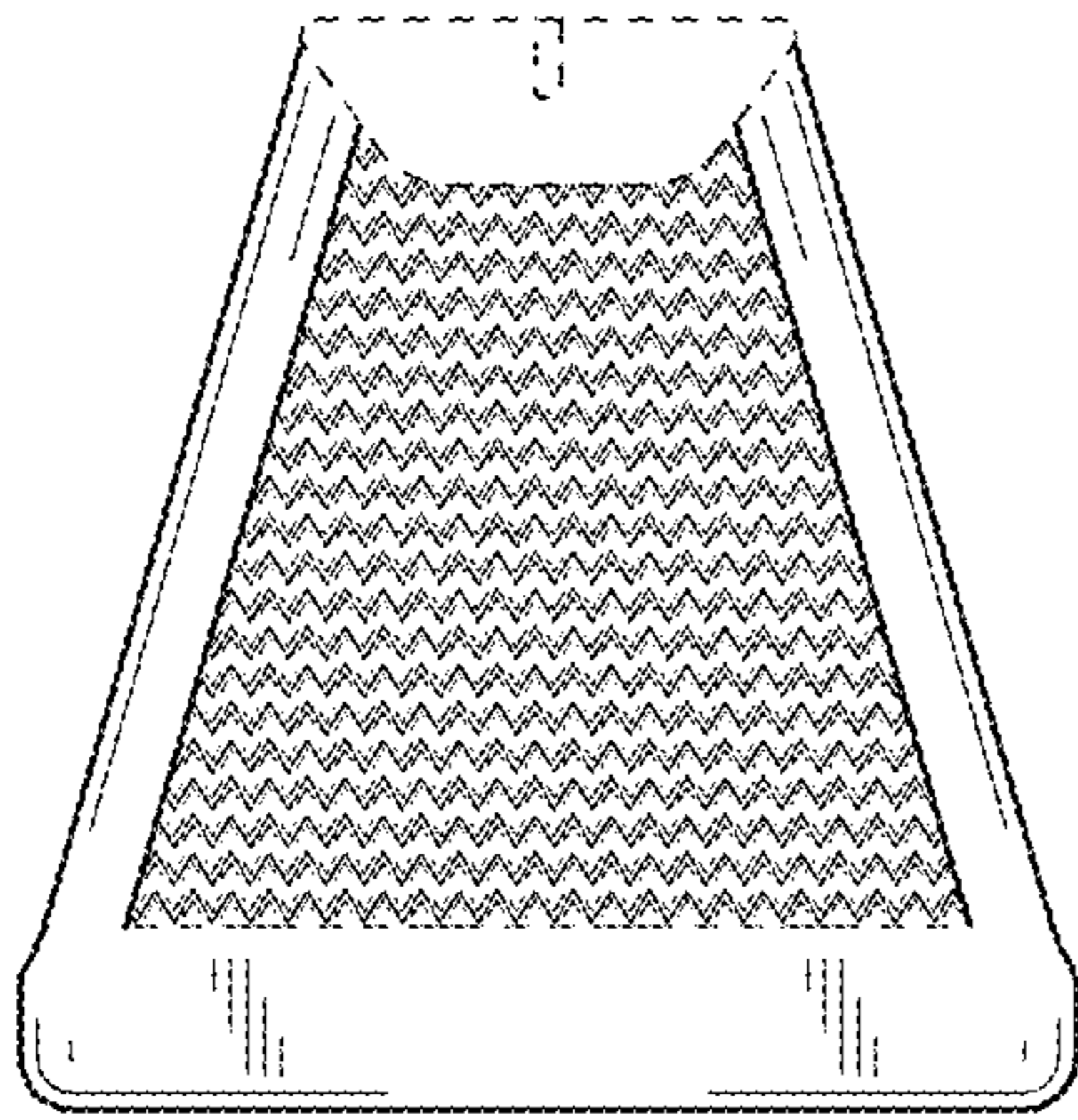


FIG. 22

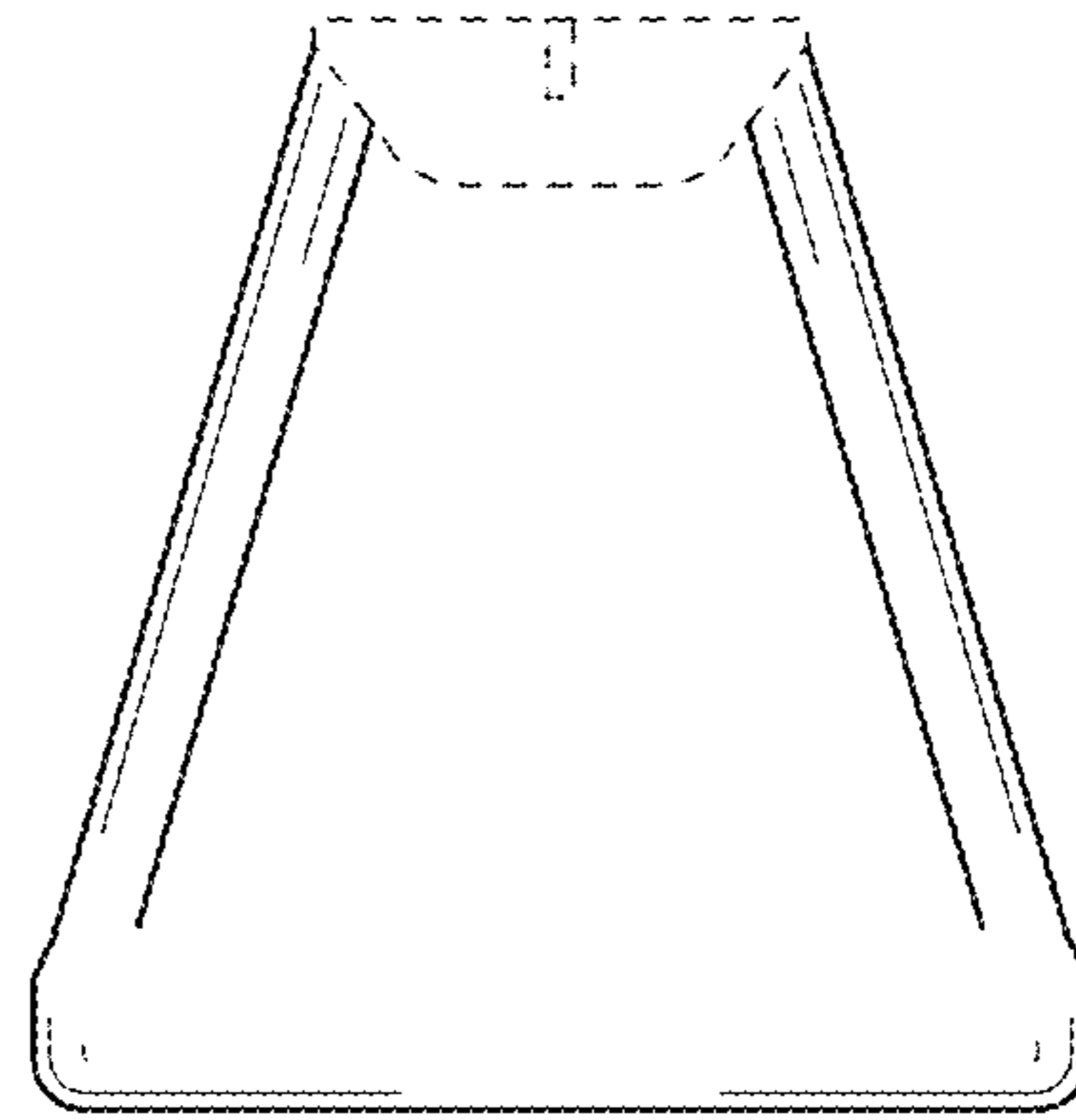


FIG. 23

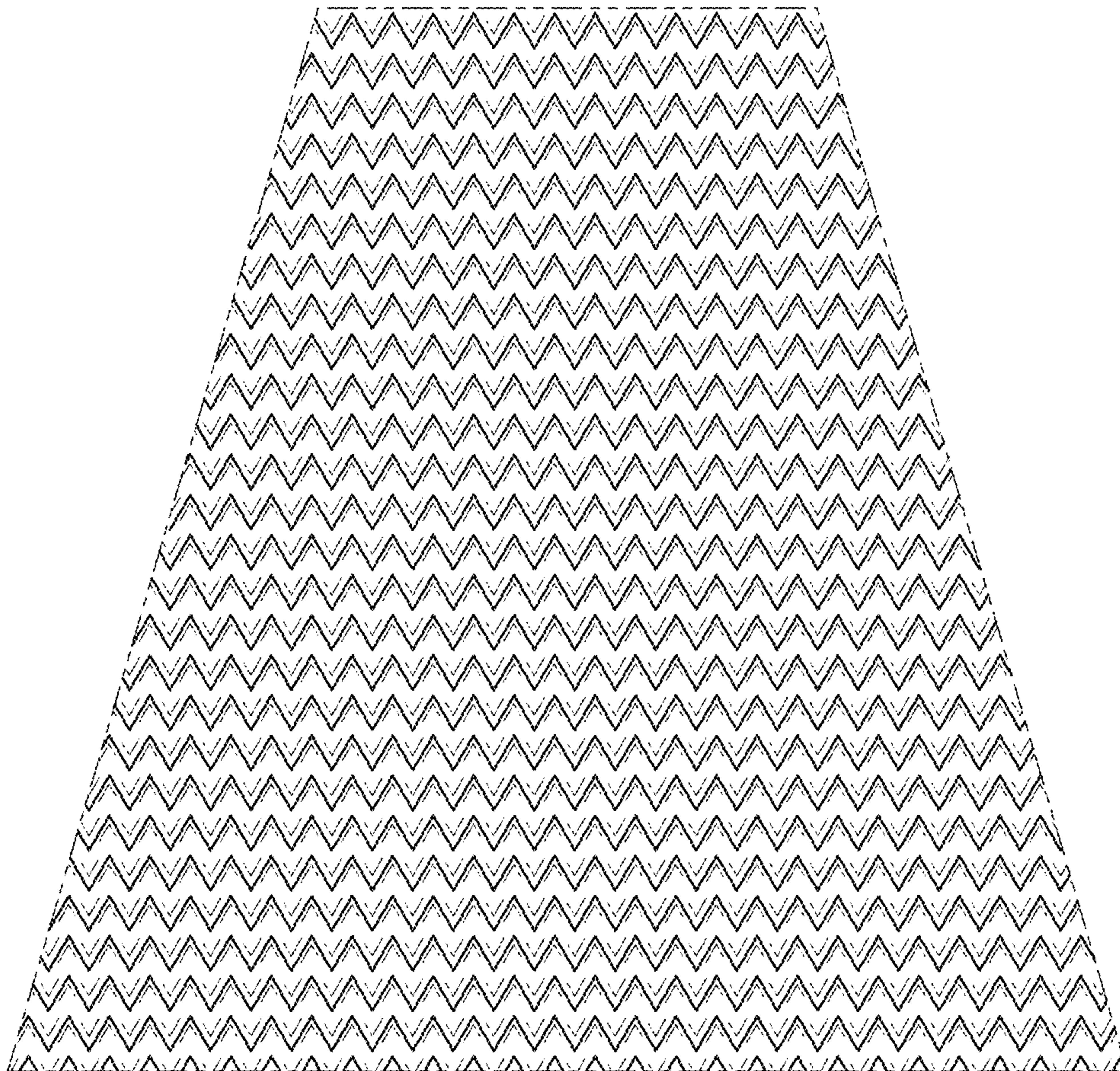


FIG. 24