



US00D825279S

(12) **United States Design Patent** (10) **Patent No.:** **US D825,279 S**
Bradley (45) **Date of Patent:** **** Aug. 14, 2018**

(54) **COOLER**

(71) Applicant: **SWELL INDUSTRIES LLC**,
Honolulu, HI (US)
(72) Inventor: **Todd Bradley**, Honolulu, HI (US)
(73) Assignee: **Swell Industries LLC**, Honolulu, HI
(US)
(**) Term: **15 Years**

(21) Appl. No.: **29/585,194**

(22) Filed: **Nov. 21, 2016**

Related U.S. Application Data

(63) Continuation of application No. 29/559,551, filed on
Mar. 29, 2016, now Pat. No. Des. 792,167.

(51) **LOC (11) Cl.** **07-01**

(52) **U.S. Cl.**
USPC **D7/607**

(58) **Field of Classification Search**
USPC D7/603-608, 709; D3/201, 232, 233,
D3/273, 283, 291
CPC A45C 3/04; A45C 7/004; A45C 13/008;
A45C 13/103; A45C 13/26; A45C 13/36;
A45C 11/20; B60Q 7/005; B65D
81/3897; B65D 81/38; B65D 81/3848;
B65D 31/04; B65D 31/08; F25D 3/08;
F25D 3/14; F25D 2331/804; A44B
19/301

See application file for complete search history.

(56) **References Cited**

U.S. PATENT DOCUMENTS

2,457,422 A * 12/1948 Warner A45C 3/04
383/10
D324,977 S * 3/1992 Rosson D3/232
5,337,947 A * 8/1994 Eskandry B60Q 7/005
206/459.5
D475,250 S * 6/2003 Crandall D7/607
D475,251 S * 6/2003 Crandall D7/607
D575,059 S * 8/2008 Cappiello D3/283
D695,571 S * 12/2013 Woitalla D7/601

* cited by examiner

Primary Examiner — Terry A Wallace

(74) *Attorney, Agent, or Firm* — McCoy Russell LLP

(57) **CLAIM**

The ornamental design for a cooler, as shown and described.

DESCRIPTION

FIG. 1 shows a right, front perspective view of a cooler showing my new design.

FIG. 2 shows a top view of the cooler of FIG. 1.

FIG. 3 shows a front view of the cooler of FIG. 1.

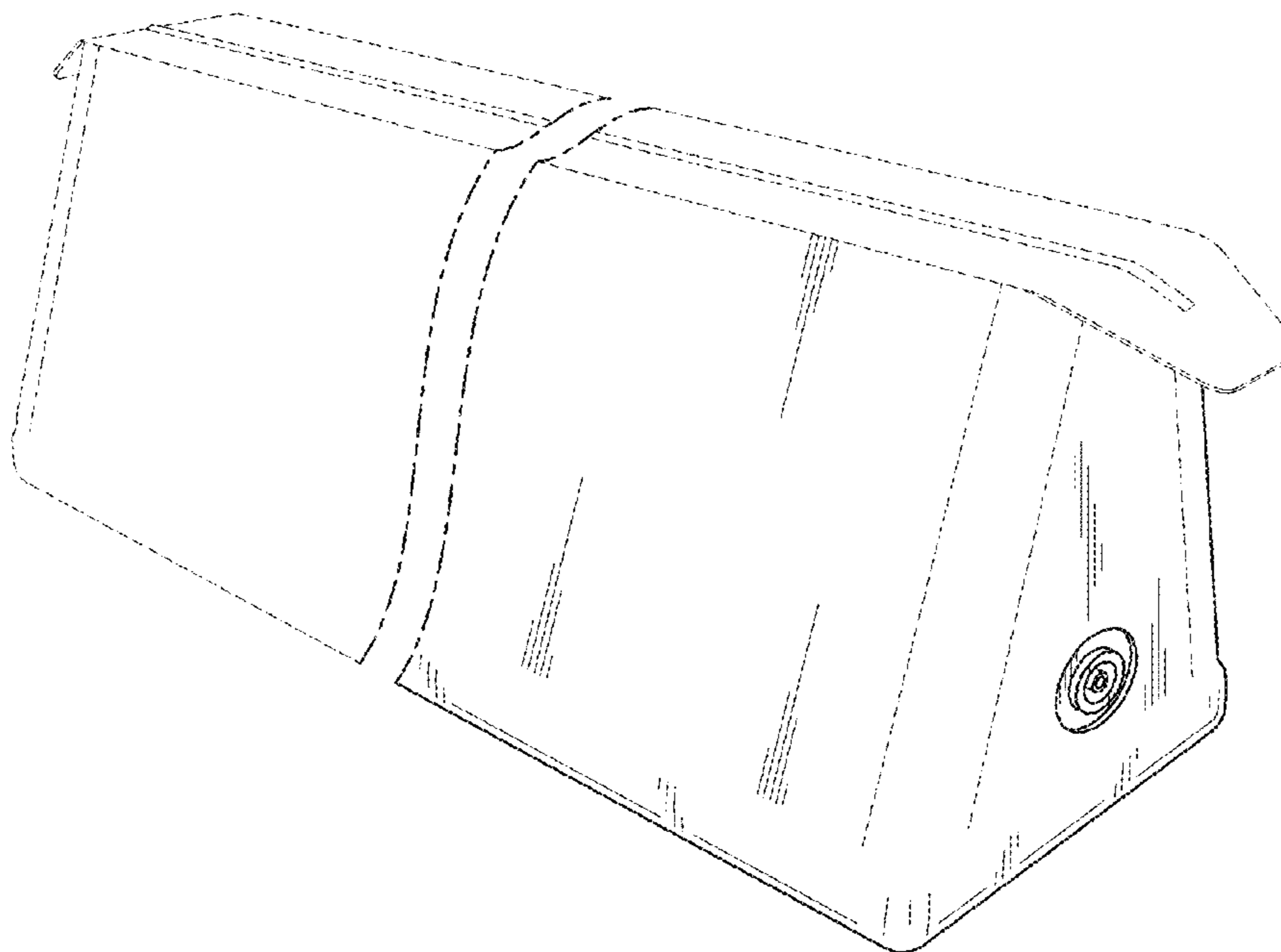
FIG. 4 shows a back view of the cooler of FIG. 1.

FIG. 5 shows a bottom view of the cooler of FIG. 1.

FIG. 6 shows a right side view of the cooler of FIG. 1; and, FIG. 7 shows a left side view of the cooler of FIG. 1.

The shorter dashed broken lines in FIGS. 1-7 are for illustrative purposes only and form no part of the claimed design. The long-dash short-dash long-dash broken lines shown in FIGS. 1-5 define the boundary of the claim, which extends to the boundary but does not include the boundary.

1 Claim, 4 Drawing Sheets



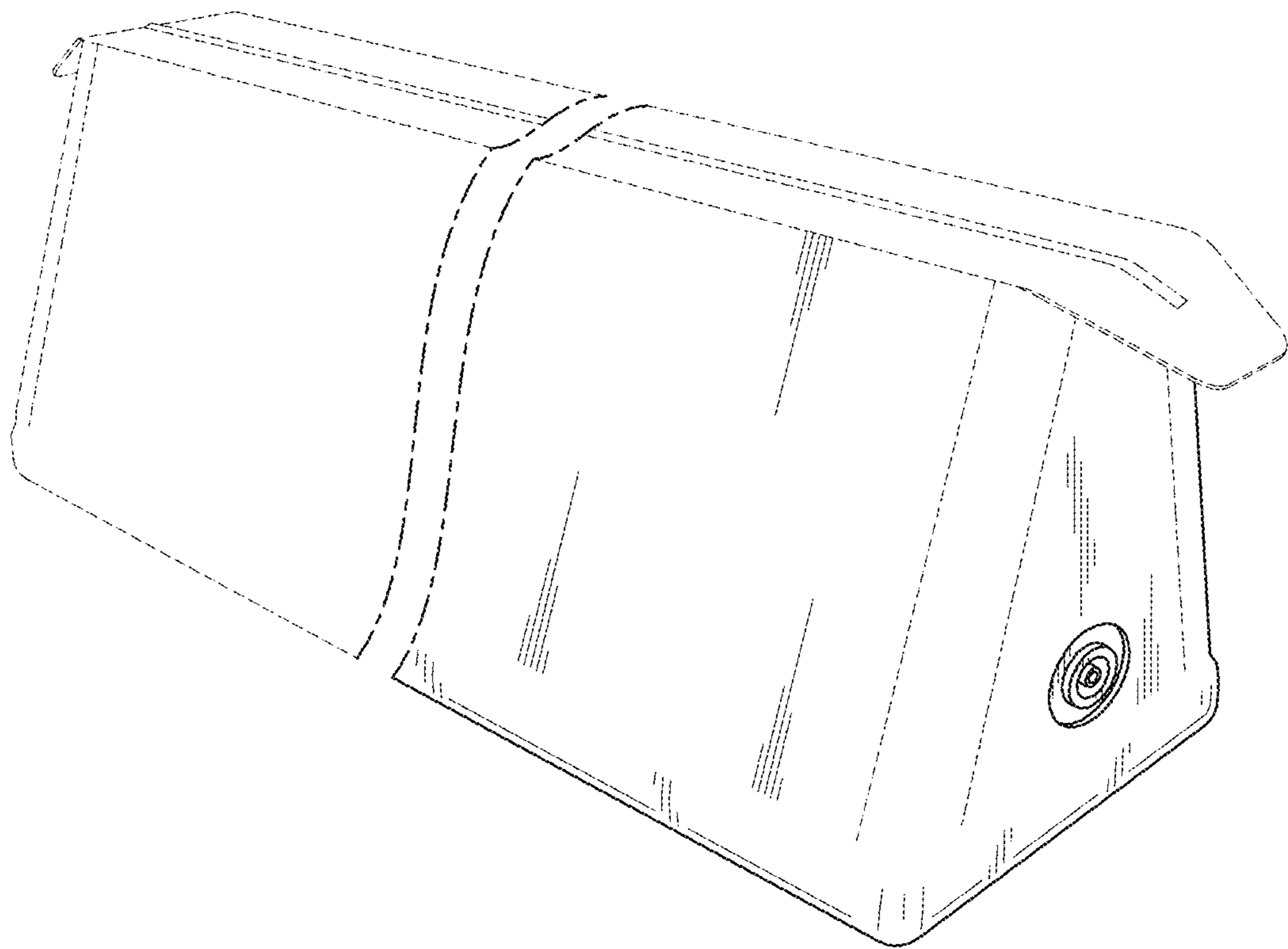


FIG. 1

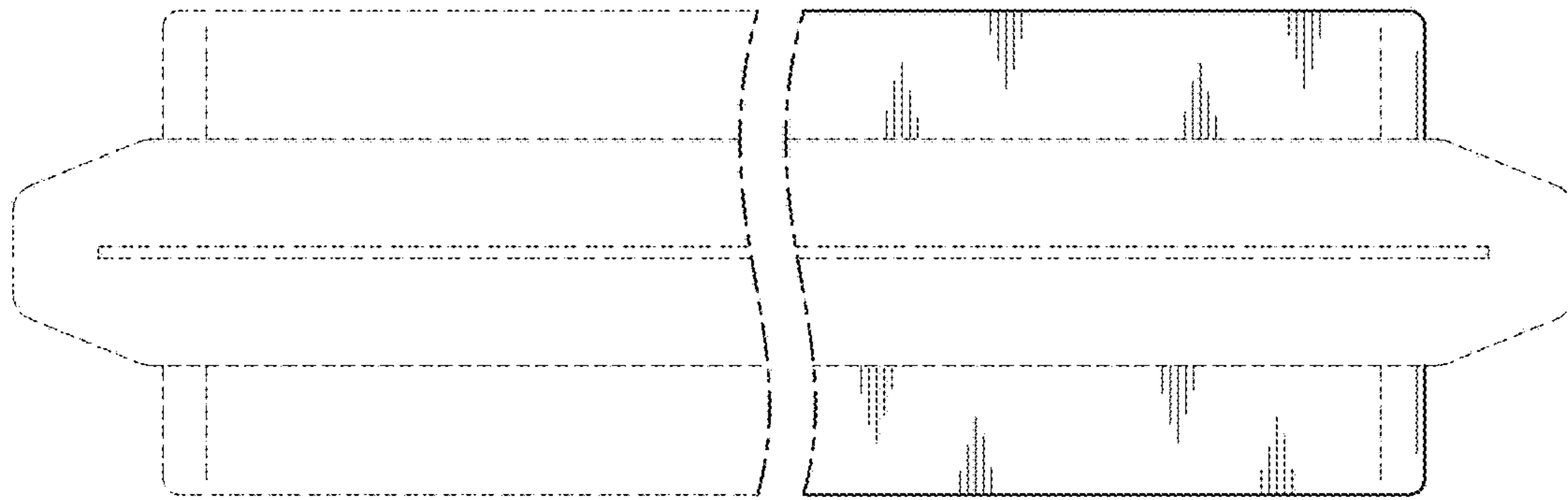


FIG. 2

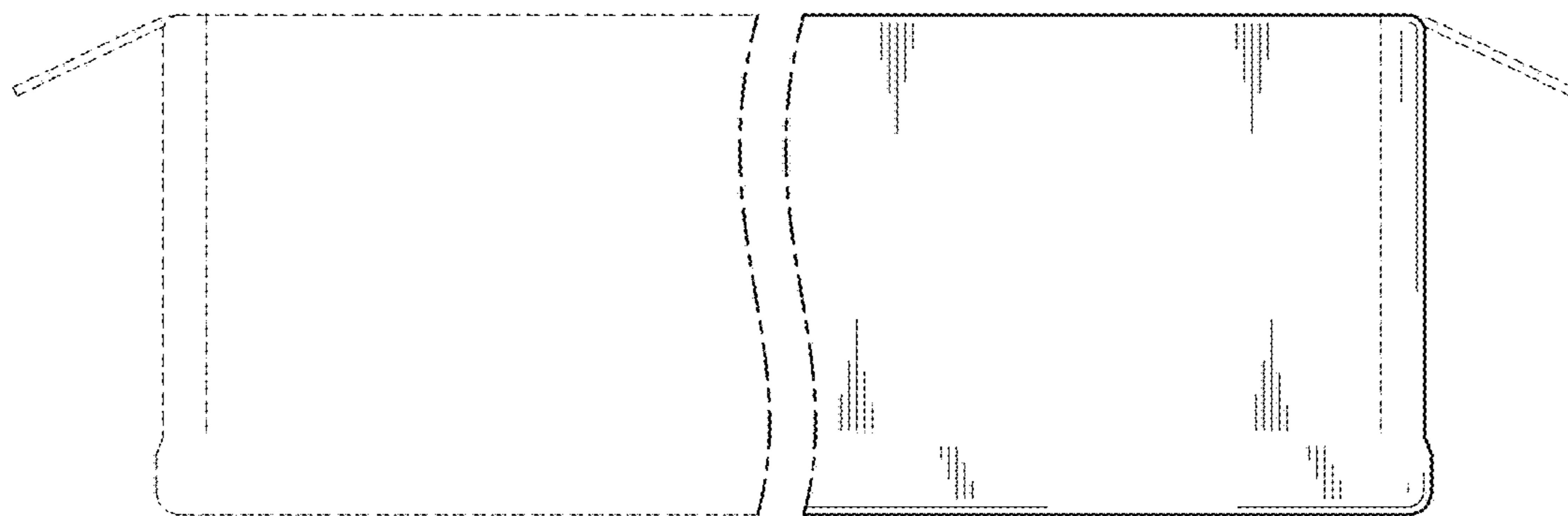


FIG. 3

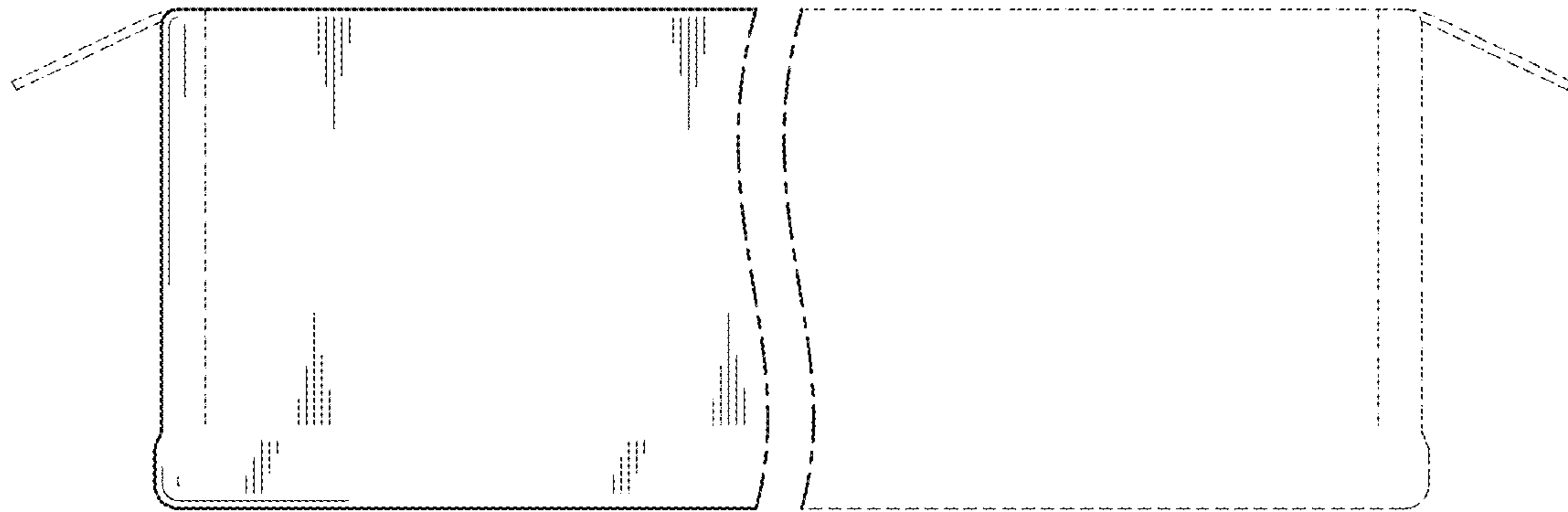


FIG. 4

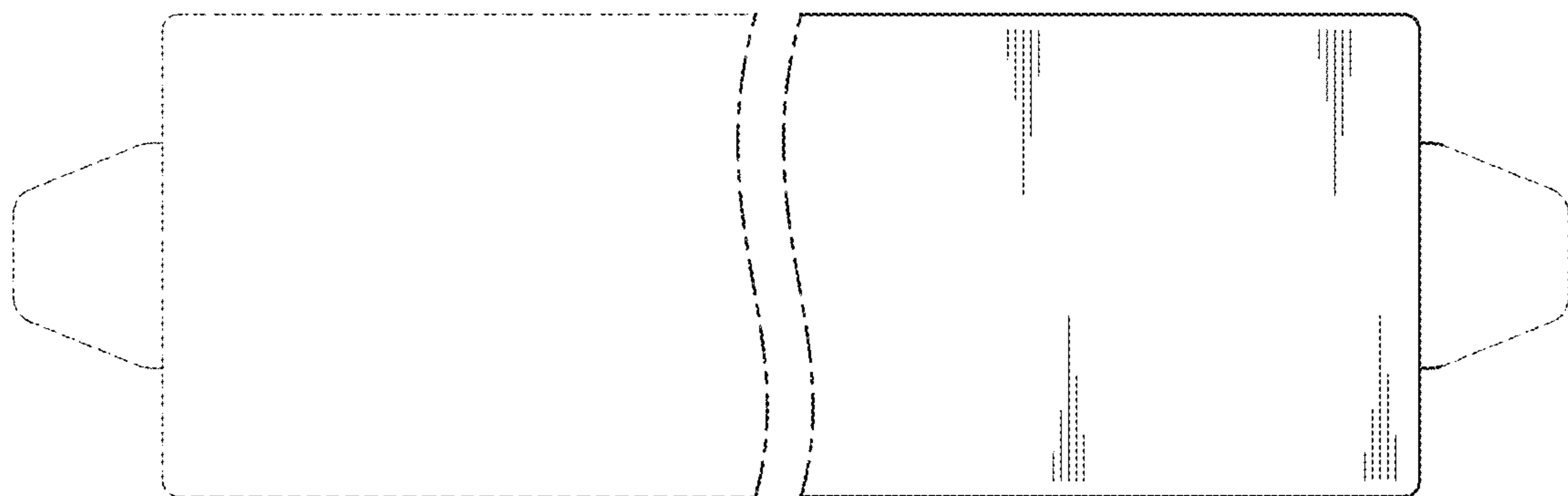


FIG. 5

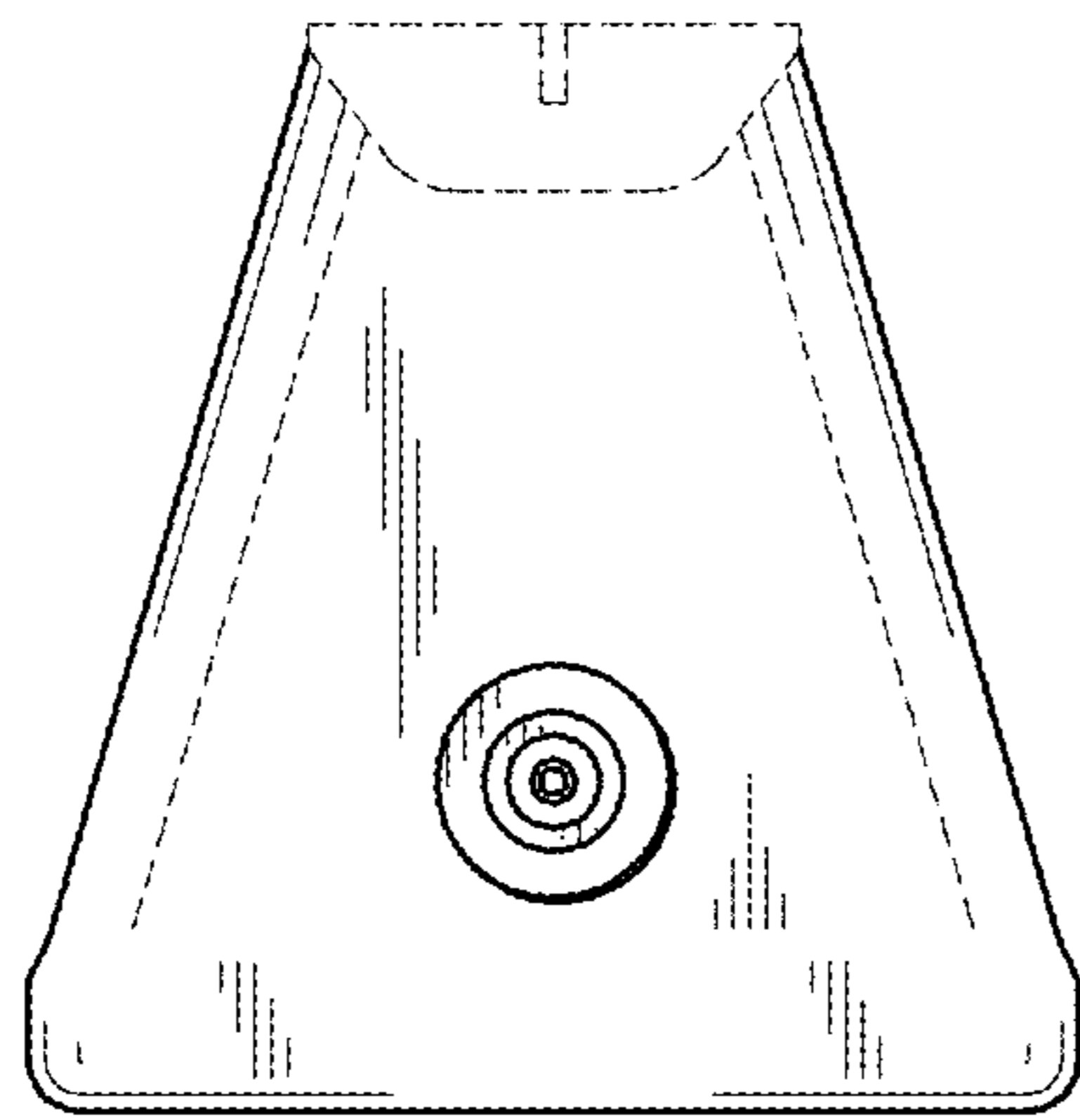


FIG. 6

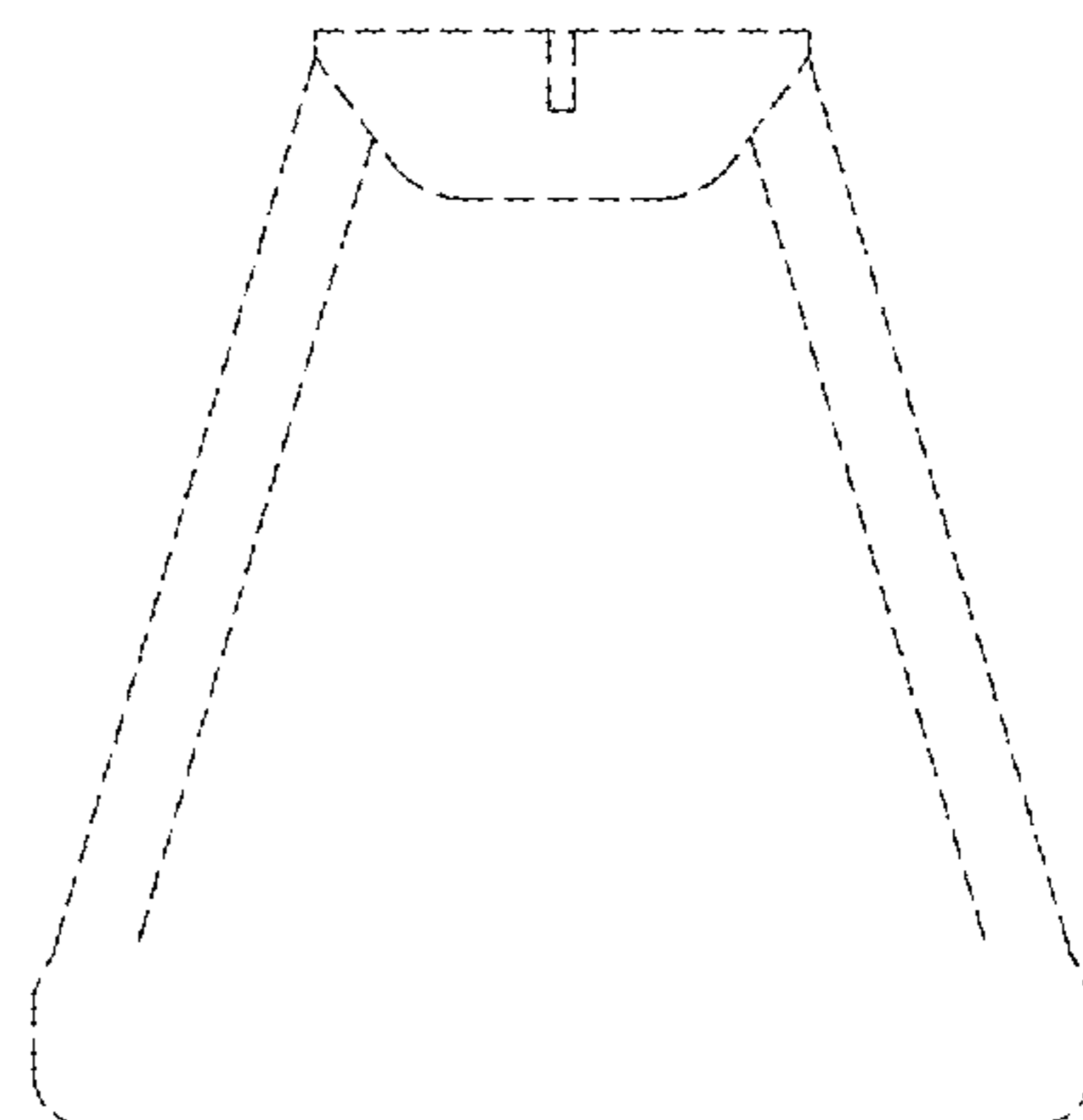


FIG. 7