



US00D825273S

(12) **United States Design Patent** (10) **Patent No.:** **US D825,273 S**  
**Liming et al.** (45) **Date of Patent:** **\*\* Aug. 14, 2018**

(54) **DIPPING STATION**  
(71) Applicant: **Huhtamaki, Inc.**, De Soto, KS (US)  
(72) Inventors: **Michael A. Liming**, New Vienna, OH (US); **Gregory L. Webb**, Wilmington, OH (US)  
(73) Assignee: **HUHTAMAKI, INC.**, De Soto, KS (US)  
(\*\*) Term: **15 Years**  
(21) Appl. No.: **29/530,731**  
(22) Filed: **Jun. 18, 2015**  
(51) **LOC (11) Cl.** ..... **07-07**  
(52) **U.S. Cl.**  
USPC ..... **D7/602**  
(58) **Field of Classification Search**  
USPC ..... D7/602, 500, 502, 504, 505, 543, 545, D7/546, 547, 548, 549, 550.1, 552.1, D7/553.1, 553.2, 553.3, 553.4, 553.5, D7/553.6, 553.7, 553.8, 554.1, 554.2, D7/554.3, 554.4, 555, 557, 584, 586, 587, D7/590, 596, 597, 600, 601, 701, 705, D7/706, 707, 708, 708.1, 619.1, 620, 621, D7/622, 709, 630, 632, 633, 401.1; D9/414, 501, 703, 430, 761, 431  
CPC . B65D 3/24; B65D 81/32; B65D 5/49; B65D 5/48; B65D 3/00; B65D 25/20; B65D 81/3205; B65D 25/22; B65D 23/003; B65D 21/0201; B65F 1/141  
See application file for complete search history.

D250,009 S \* 10/1978 Karotseris ..... D11/143  
D256,279 S \* 8/1980 Huggins ..... D27/104  
5,207,344 A \* 5/1993 Davies ..... B65F 1/006  
220/23.83  
D336,826 S \* 6/1993 Crook ..... D7/622  
5,294,012 A \* 3/1994 Shott ..... B65F 1/0066  
220/23.4  
D370,384 S \* 6/1996 Shamis ..... D7/393  
5,842,631 A 12/1998 Berger  
5,875,957 A 3/1999 Yocum  
6,152,362 A \* 11/2000 Rosenfeld ..... B65D 25/20  
220/23.83  
6,216,946 B1 4/2001 Cai  
D444,278 S \* 6/2001 Myers, Jr. .... D32/54  
D529,766 S \* 10/2006 Cunningham ..... D7/602  
D559,043 S \* 1/2008 Peota ..... D7/620  
D596,900 S \* 7/2009 Kluger ..... D7/509

(Continued)

*Primary Examiner* — Ian Simmons  
*Assistant Examiner* — Shannon W Morgan  
(74) *Attorney, Agent, or Firm* — Husch Blackwell LLP

(57) **CLAIM**

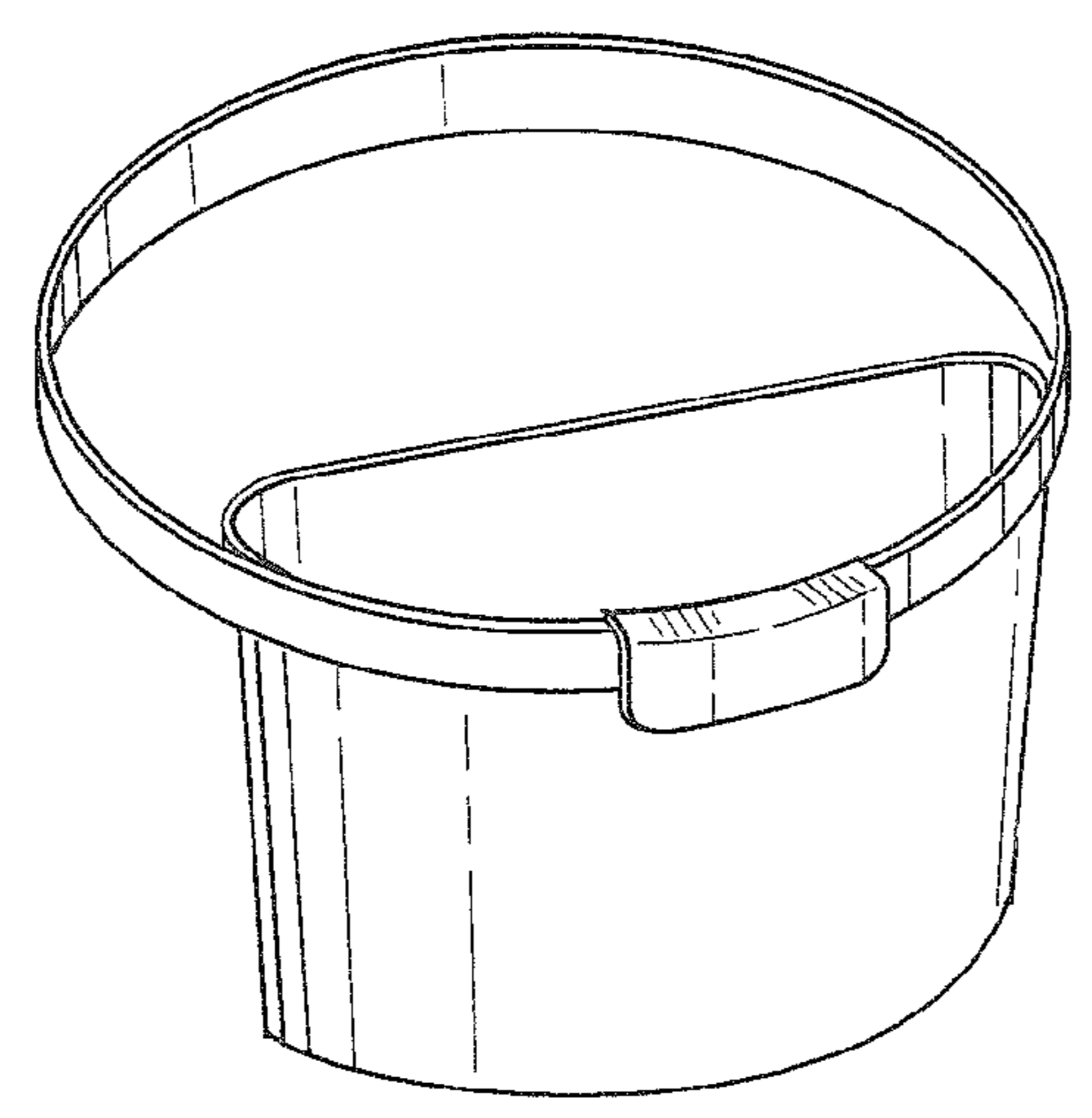
The ornamental design for a dipping station, as shown and described.

**DESCRIPTION**

FIG. 1 is a top perspective view of a dipping station showing the new design;  
FIG. 2 is a front elevation view of the dipping station shown in FIG. 1;  
FIG. 3 is a rear elevation view of the dipping station shown in FIG. 1;  
FIG. 4 is a right side elevation view of the dipping station shown in FIG. 1; the left side elevation view of the dipping station being an identical mirror image thereof;  
FIG. 5 is a top plan view of the dipping station shown in FIG. 1; and,  
FIG. 6 is a bottom plan view of the dipping station shown in FIG. 1.

**1 Claim, 2 Drawing Sheets**

(56) **References Cited**  
U.S. PATENT DOCUMENTS  
2,278,401 A \* 3/1942 Micari ..... A47K 5/02  
131/241  
4,024,590 A \* 5/1977 Wendt ..... A47K 5/03  
220/23.4



(56)

**References Cited**

U.S. PATENT DOCUMENTS

D669,317 S \* 10/2012 Giampavolo ..... D7/620  
D669,368 S \* 10/2012 Ehrmann ..... D9/424  
8,690,166 B2 \* 4/2014 Peota ..... B62B 3/1472  
220/482  
D713,207 S \* 9/2014 Hickox ..... D7/543  
D727,107 S \* 4/2015 Parodi, Jr. .... D7/396.2  
9,119,490 B1 \* 9/2015 Parodi, Jr. .... A47G 19/2205  
D777,583 S \* 1/2017 Liming ..... D9/715  
D777,584 S \* 1/2017 Liming ..... D9/715  
2002/0134781 A1 \* 9/2002 Ciarrocchi, Jr. ... A47G 23/0216  
220/23.4  
2004/0031796 A1 \* 2/2004 Krueger ..... B65D 81/3205  
220/23.4  
2011/0084087 A1 \* 4/2011 Scribner ..... A01G 9/022  
220/751  
2012/0273509 A1 \* 11/2012 Yao ..... B65D 81/3876  
220/737  
2013/0277375 A1 \* 10/2013 Hickox ..... A47G 23/06  
220/575

\* cited by examiner

FIG. 1

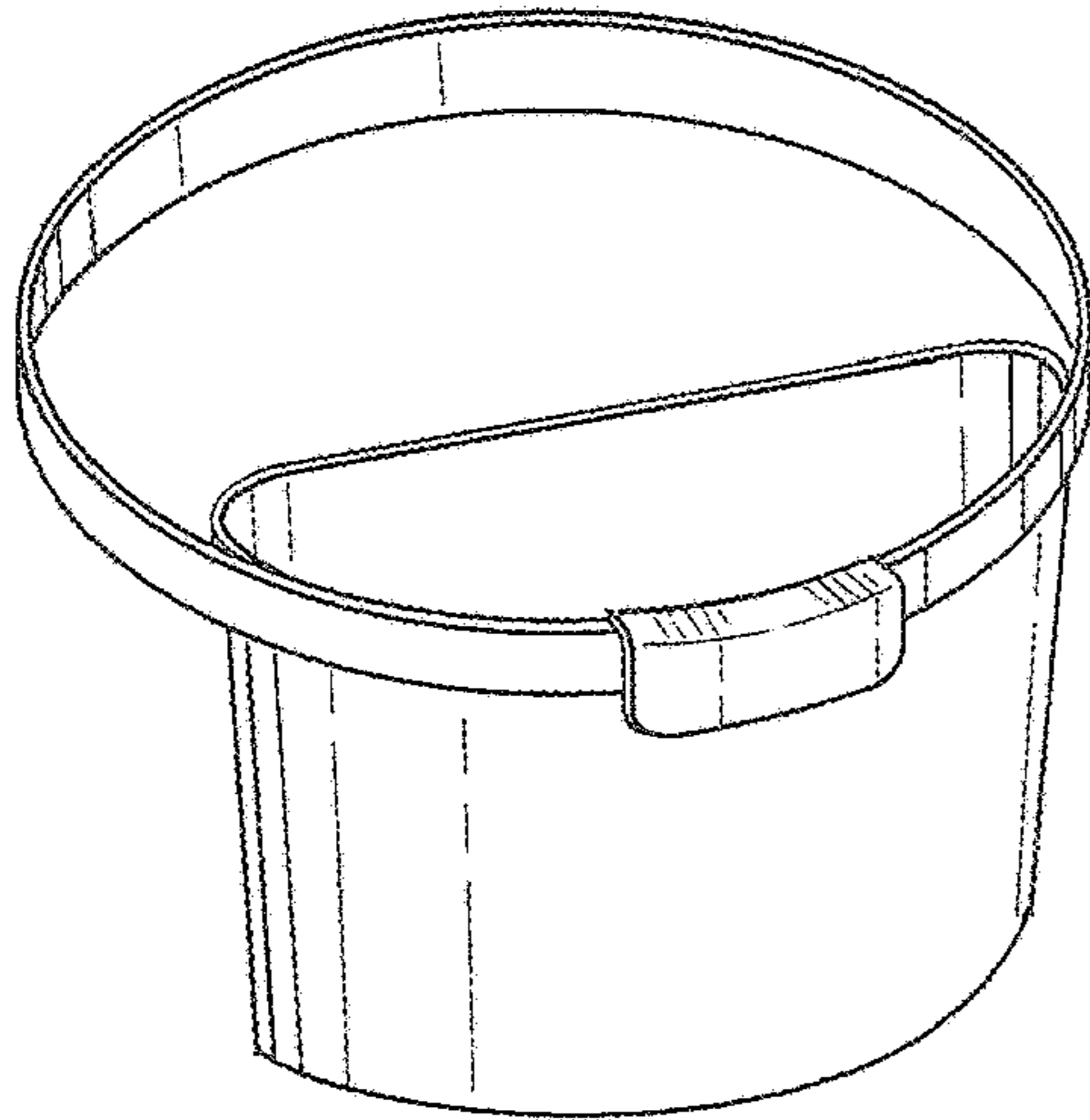


FIG. 2

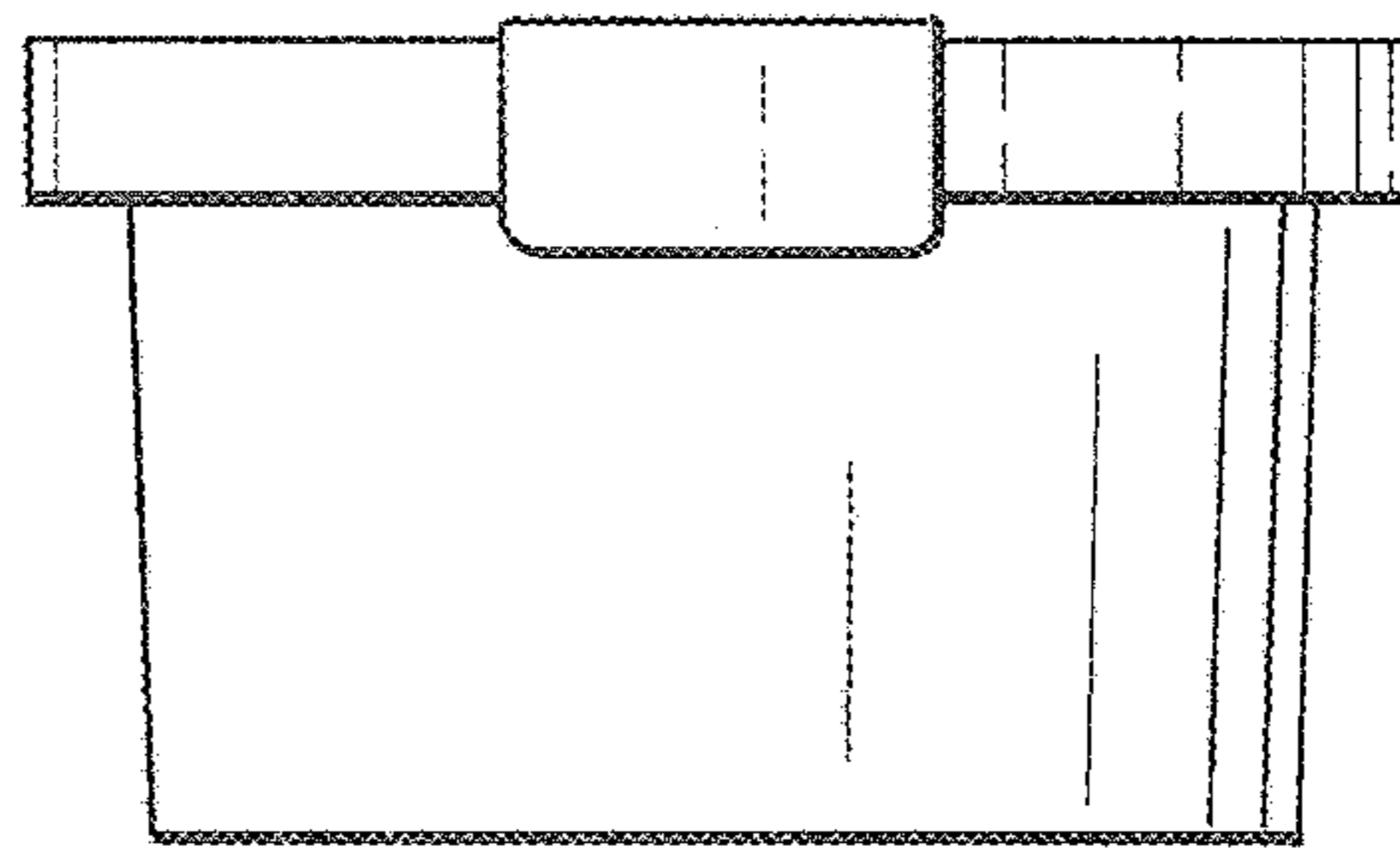


FIG. 3

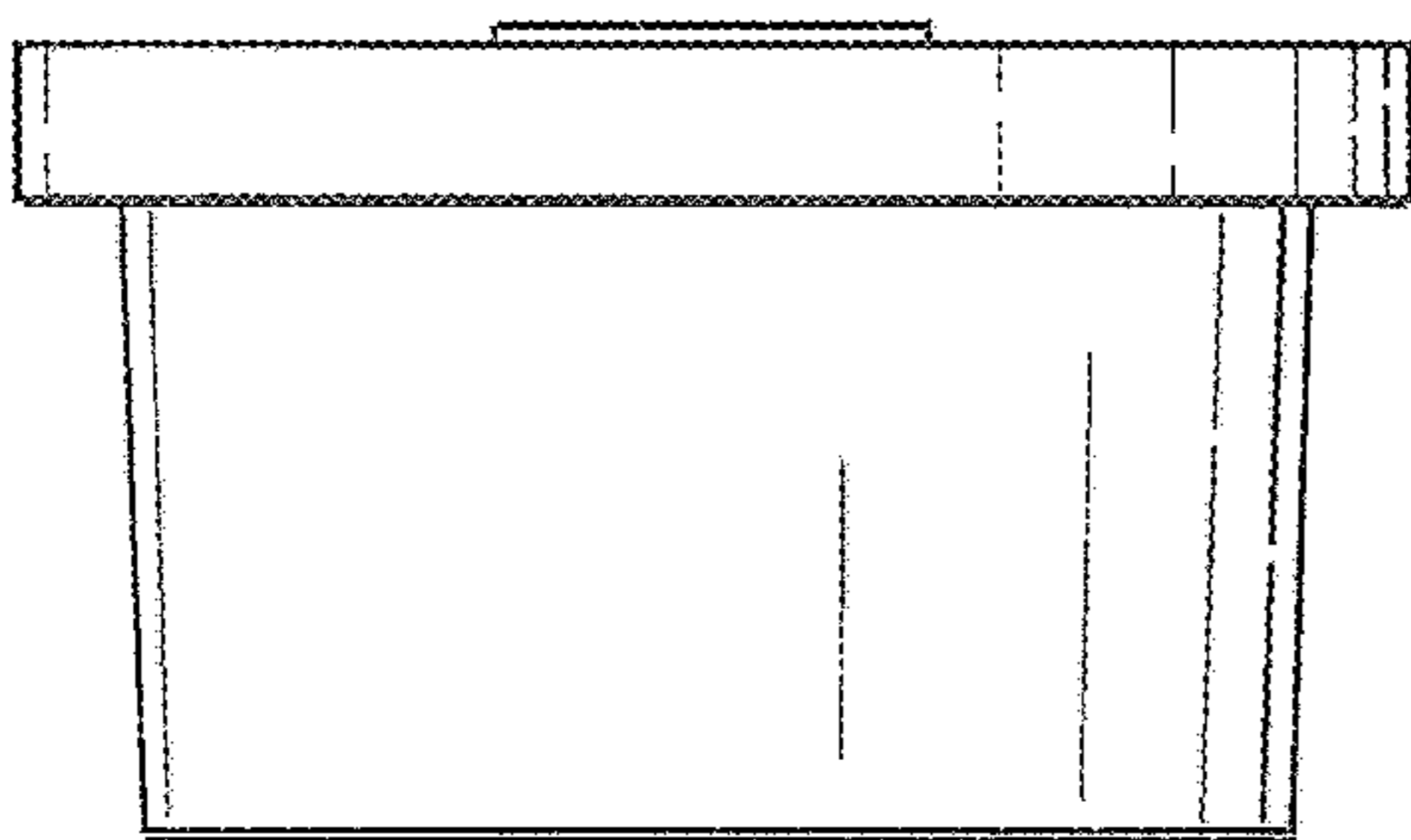


FIG. 4

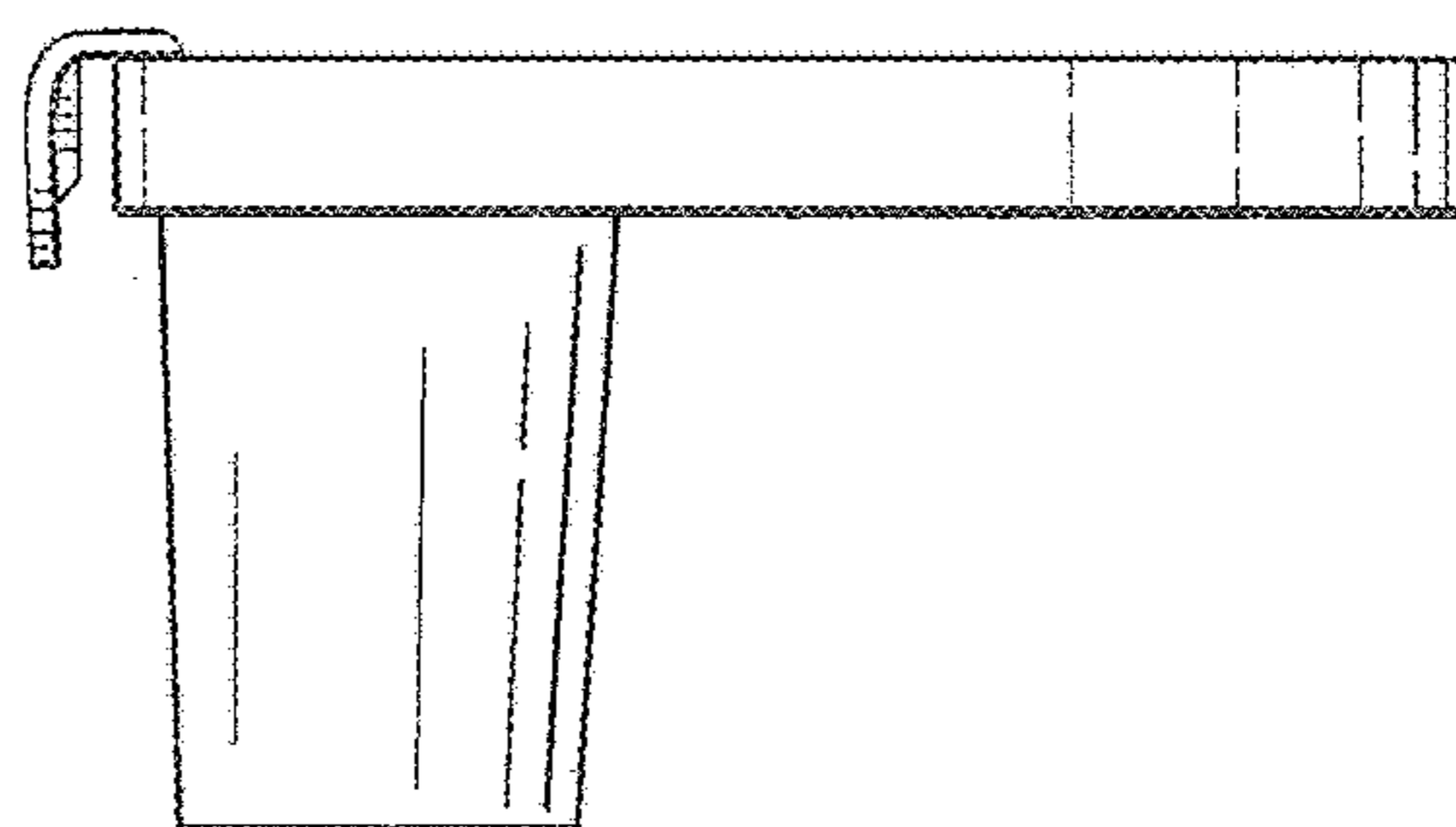


FIG. 5

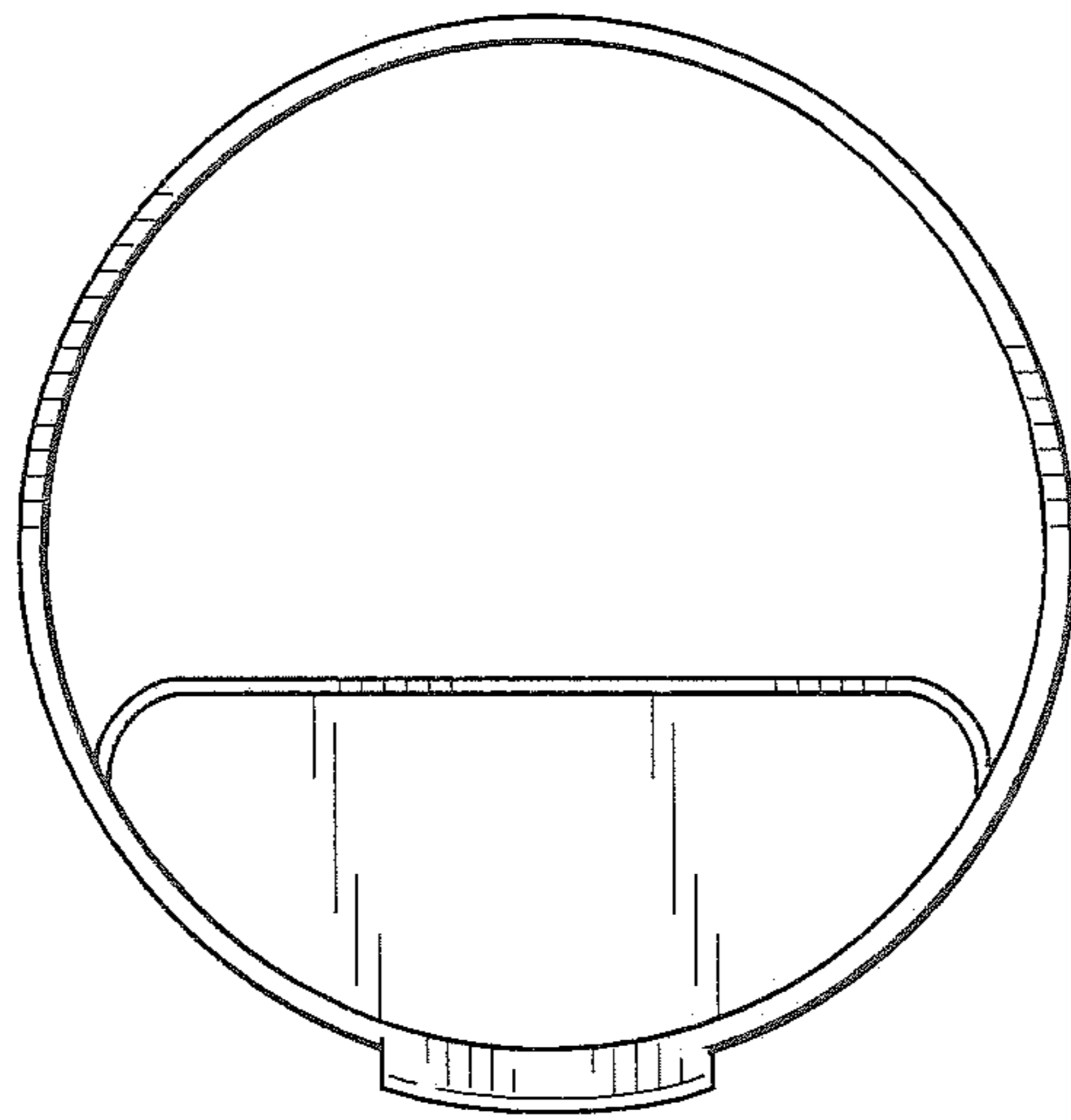


FIG. 6

