



US00D825272S

(12) **United States Design Patent**
Webb

(10) **Patent No.:** **US D825,272 S**

(45) **Date of Patent:** **** Aug. 14, 2018**

(54) **CLOCK SHAPED DINNER PLATE**

(71) Applicant: **Charlene Webb, Whitby (CA)**

(72) Inventor: **Charlene Webb, Whitby (CA)**

(**) Term: **15 Years**

(21) Appl. No.: **29/611,107**

(22) Filed: **Jul. 18, 2017**

(51) **LOC (11) Cl.** **07-01**

(52) **U.S. Cl.**
USPC **D7/564; D7/571; D10/22; D10/123**

(58) **Field of Classification Search**
USPC **D7/554.2, 563, 564, 565, 567, 568, 570, D7/572, 571, 588; D10/22, 123**
CPC **A47G 19/00**
See application file for complete search history.

(56) **References Cited**

U.S. PATENT DOCUMENTS

D12,728 S *	1/1882	Straus	D7/571
D48,340 S *	12/1915	Ketcham	D7/570
D48,595 S *	2/1916	Lockett	D7/570
D73,813 S *	7/1927	Wilson	D7/572
D226,529 S *	3/1973	Dather	D10/22
D253,995 S *	1/1980	Roccaforte	D9/433

D341,518 S *	11/1993	Richardson	D7/391
D346,758 S *	5/1994	Adler	D10/124
D355,608 S *	2/1995	Resende	D10/126
D474,941 S *	5/2003	Wellner	D7/396.5
D484,748 S *	1/2004	Robertson	D7/571
D498,391 S *	11/2004	Wellner	D7/551.1
D592,974 S *	5/2009	Hinton	D10/22
D602,743 S *	10/2009	Clark	D7/551.1
D732,979 S *	6/2015	Sesona	D10/22

* cited by examiner

Primary Examiner — Marianne Pandozzi

(74) *Attorney, Agent, or Firm* — RG Patent Consulting, LLC; Rachel Gilboy

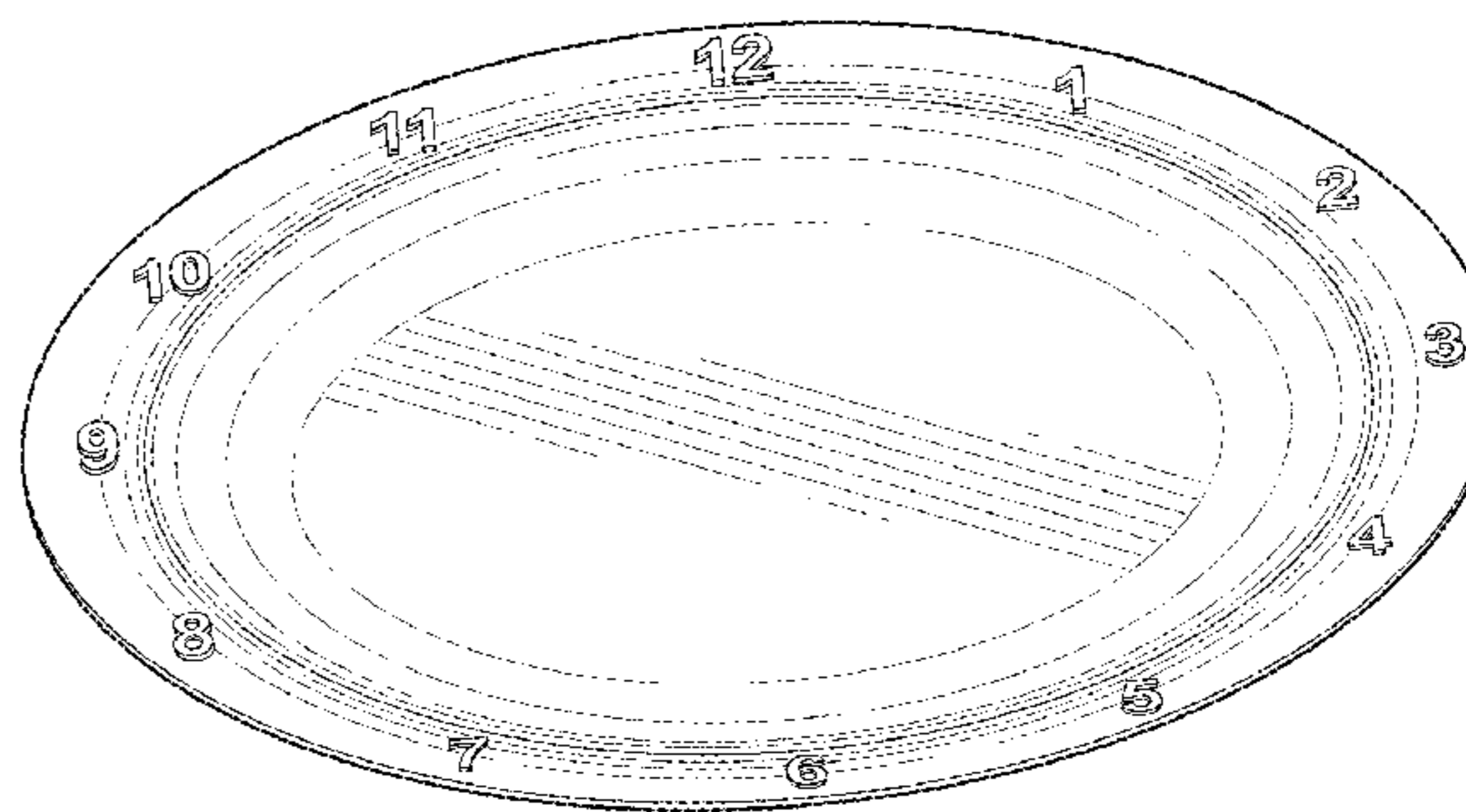
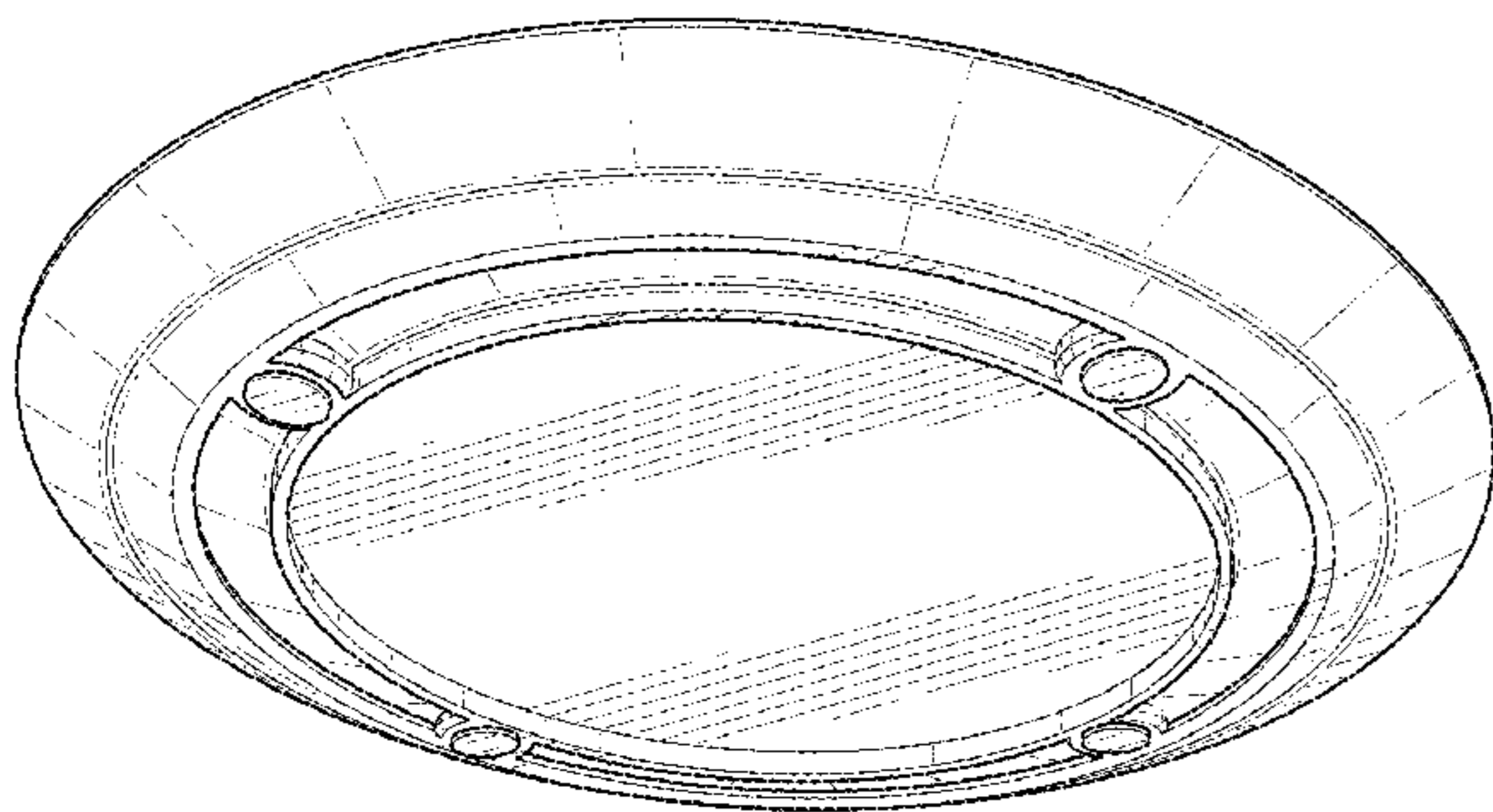
(57) **CLAIM**

The ornamental design for a clock shaped dinner plate, as shown and described.

DESCRIPTION

FIG. 1 is a bottom perspective view of the clock shaped dinner plate showing my new design;
FIG. 2 is a top perspective view thereof;
FIG. 3 is a top plan view thereof;
FIG. 4 is a bottom plan view thereof;
FIG. 5 is a right elevation view thereof;
FIG. 6 is a left elevation view thereof;
FIG. 7 is a front elevation view thereof; and,
FIG. 8 is a rear elevation view thereof.

1 Claim, 4 Drawing Sheets



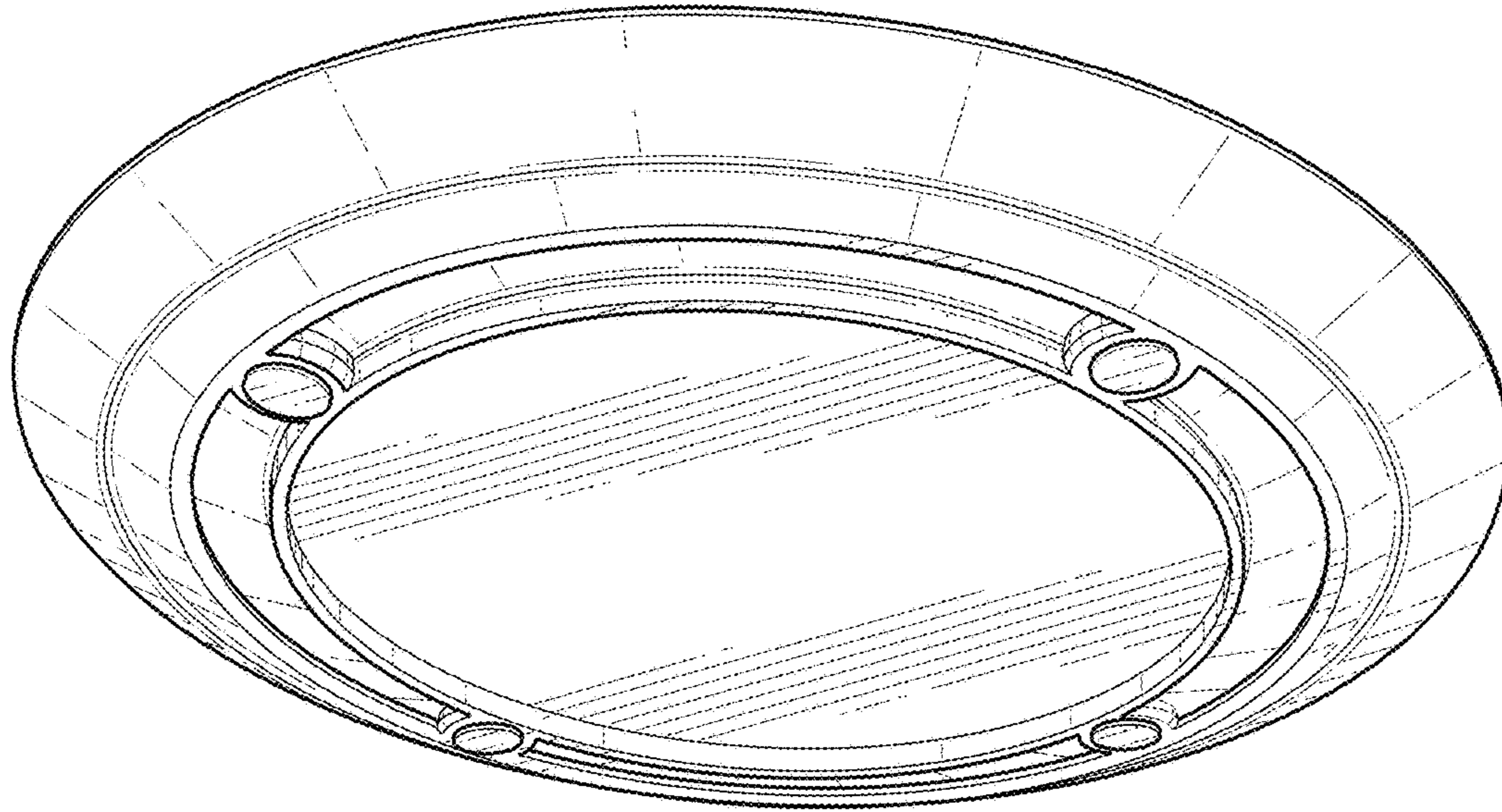


FIG. 1

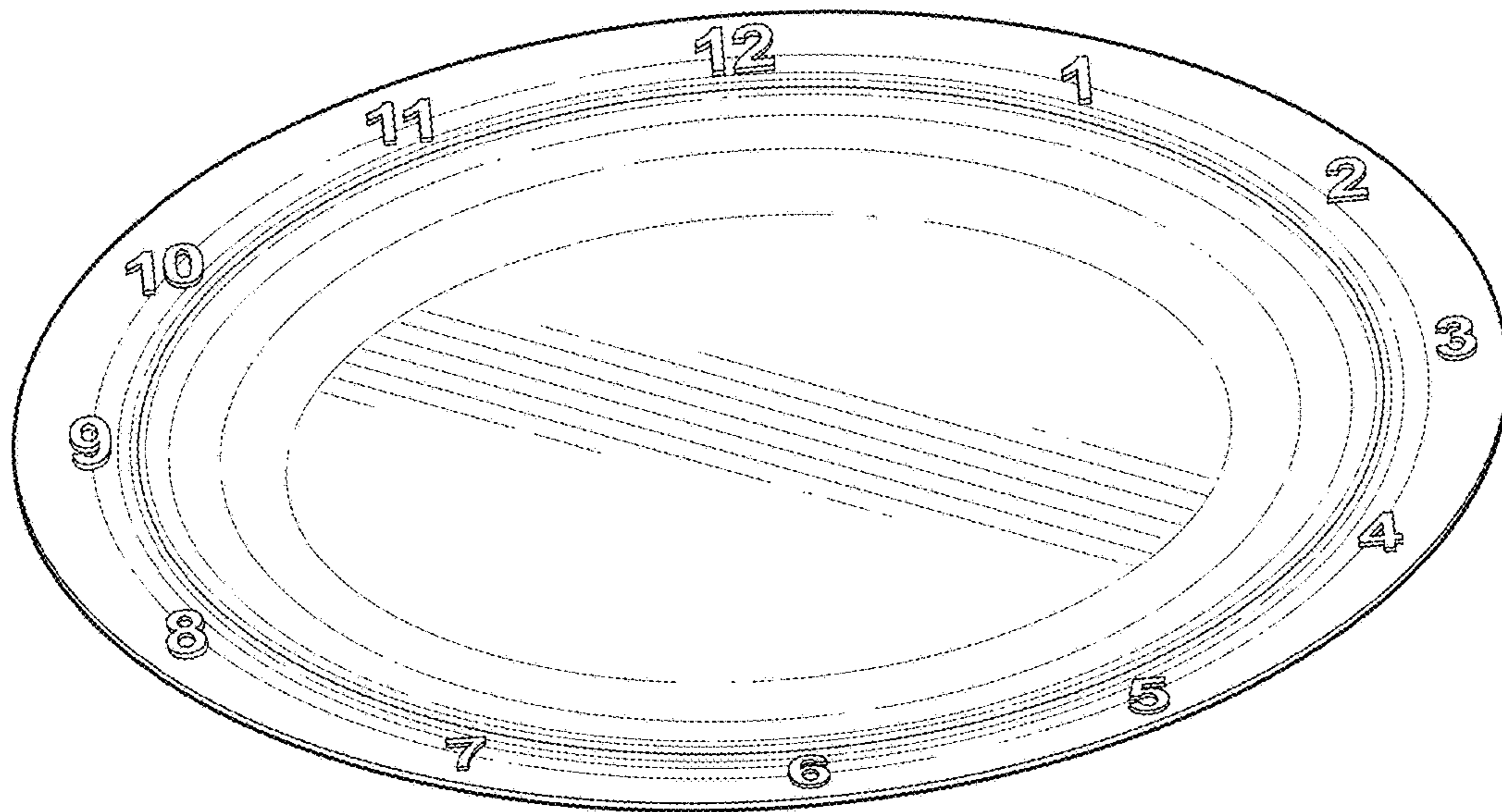


FIG. 2

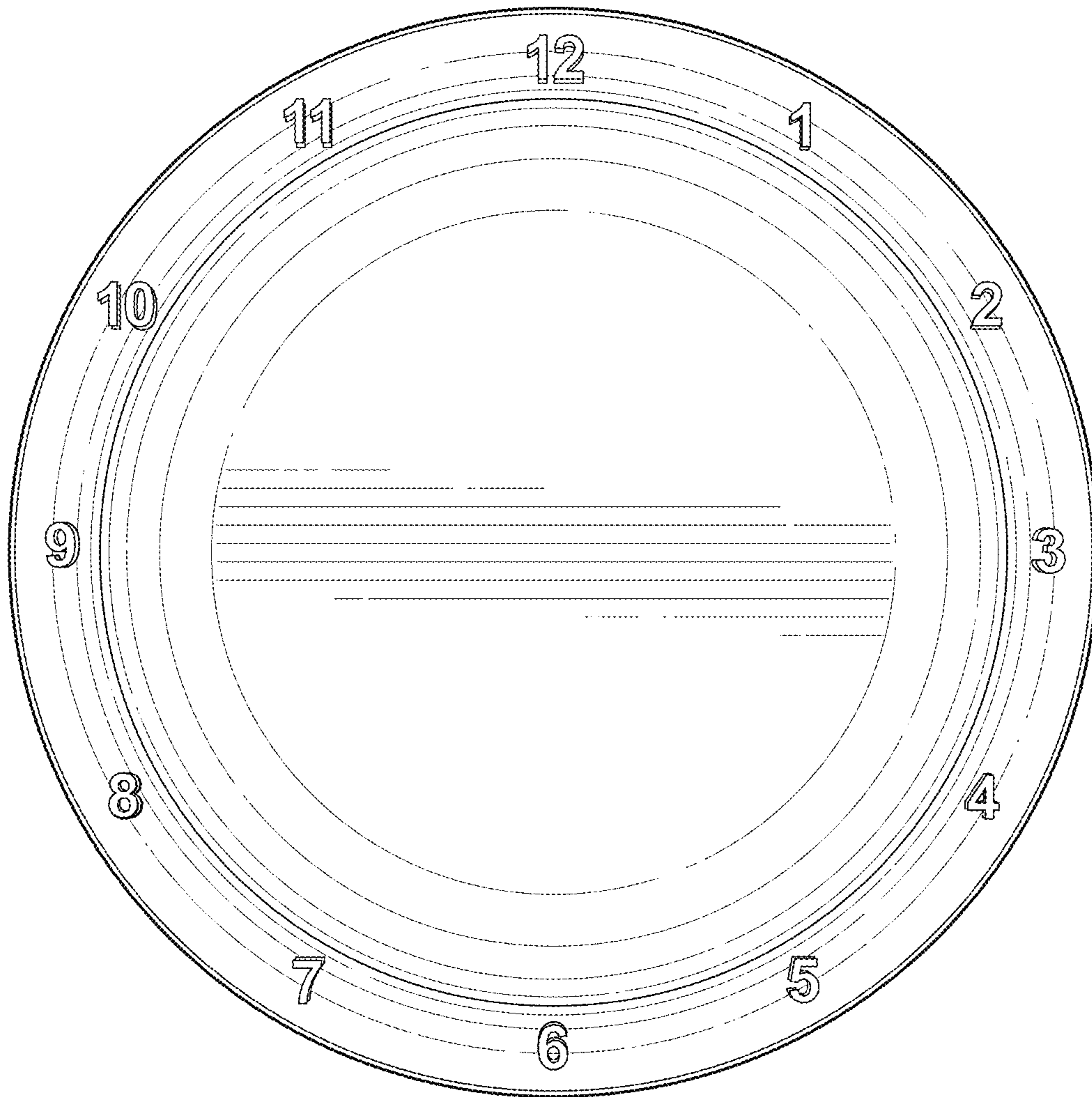


FIG. 3

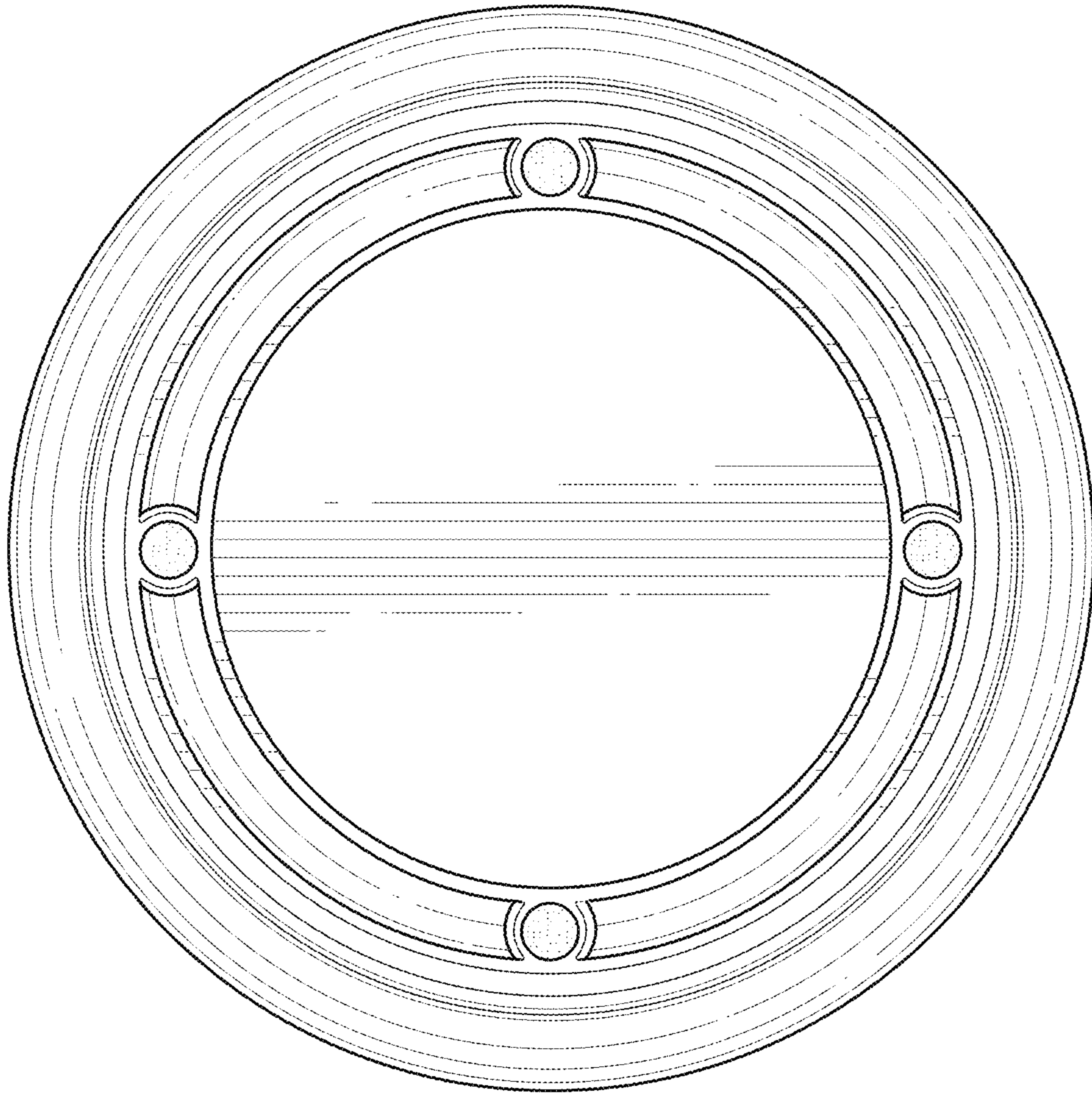


FIG. 4



FIG. 5

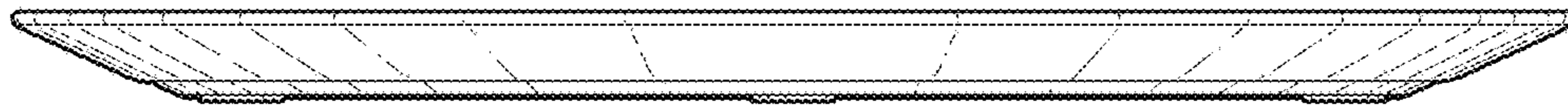


FIG. 6



FIG. 7



FIG. 8