



US00D825270S

(12) **United States Design Patent** (10) **Patent No.:** **US D825,270 S**
Walbroel et al. (45) **Date of Patent:** **** Aug. 14, 2018**

- (54) **MUG**
- (71) Applicants: **Jillian Walbroel**, Woodland Park, NJ (US); **Christon G. Suess**, Paramus, NJ (US)
- (72) Inventors: **Jillian Walbroel**, Woodland Park, NJ (US); **Christon G. Suess**, Paramus, NJ (US)
- (73) Assignee: **Cotapaxi Custom Design and Manufacturing LLC**, Carlstadt, NJ (US)
- (**) Term: **15 Years**
- (21) Appl. No.: **29/625,801**
- (22) Filed: **Nov. 13, 2017**

D340,076 S *	10/1993	Turner	D19/82
D415,929 S *	11/1999	D'Arrigo	D7/510
D418,650 S *	1/2000	Neuhaus	D34/1
D474,372 S *	5/2003	Leon	D7/301
D476,804 S *	7/2003	Bond	D3/202
D479,027 S *	8/2003	De Winter	D34/7
D513,683 S *	1/2006	Hayes	D7/396.5
D513,686 S *	1/2006	Bailey	D7/507
D517,764 S *	3/2006	Wang	D34/9
D540,692 S *	4/2007	Yorn	D9/538
D575,470 S *	8/2008	Gianfrisco	D34/11
D578,761 S *	10/2008	Ott	D3/305
D587,070 S *	2/2009	Thompson	D7/510
D591,109 S *	4/2009	Thompson	D7/515
D601,851 S *	10/2009	Lopez	D7/510
D659,933 S *	5/2012	Ligon	D34/7
D665,266 S *	8/2012	Gelin	D9/668
D677,980 S *	3/2013	Levin	D7/392
D710,153 S *	8/2014	Marini	D7/515
D747,925 S *	1/2016	Engler	D7/510

* cited by examiner

Primary Examiner — Marianne Pandozzi
(74) *Attorney, Agent, or Firm* — Steven E. Shapiro

Related U.S. Application Data

- (63) Continuation of application No. 29/562,667, filed on Apr. 27, 2016, now Pat. No. Des. 802,999.
- (51) **LOC (11) Cl.** **07-01**
- (52) **U.S. Cl.**
USPC **D7/515**; D34/4; D9/668
- (58) **Field of Classification Search**
USPC D7/515, 514, 533, 536, 608, 606, 510, D7/511, 901; 215/236; D9/668, 618; D3/202; D34/4, 7, 9
CPC F41A 17/22; A47G 23/0233; A47G 23/02; A47G 19/2227
See application file for complete search history.

(57) **CLAIM**

The ornamental design for a mug, as shown and described.

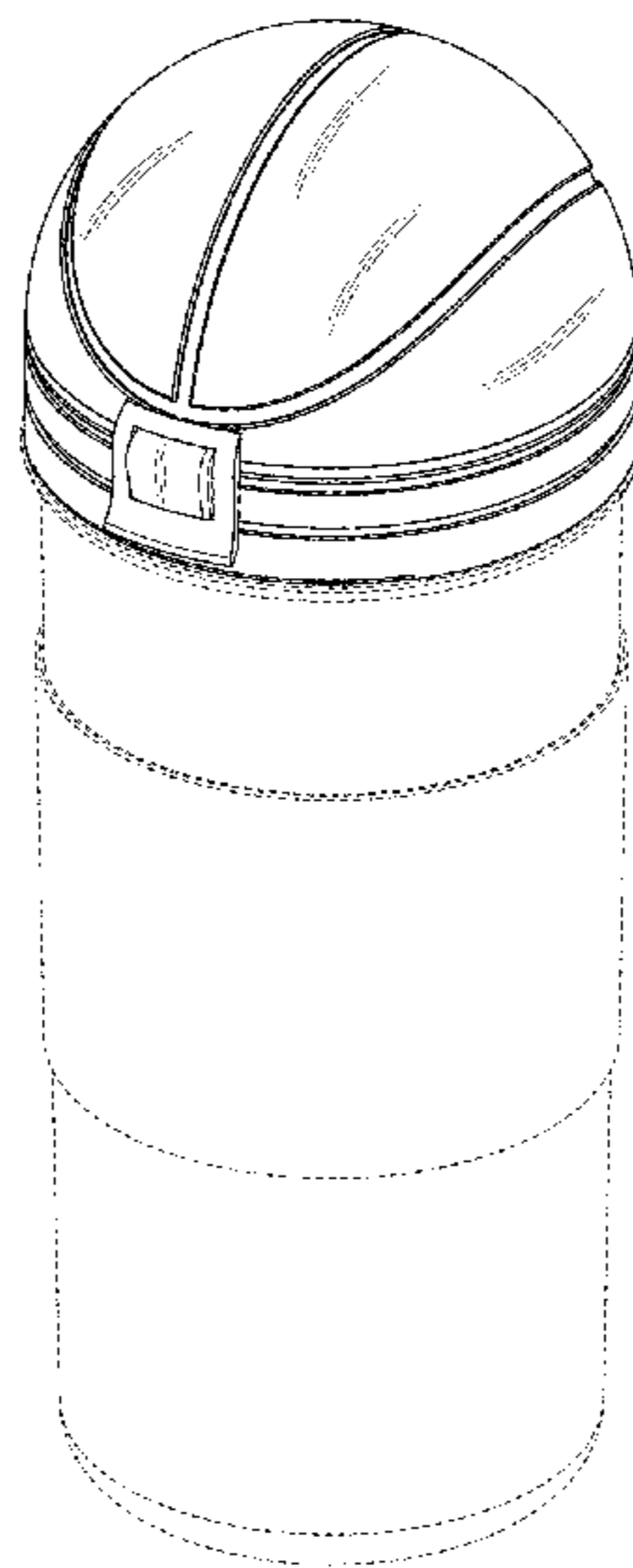
DESCRIPTION

FIG. 1 is a front perspective view of the mug showing our new design;
FIG. 2 is a rear perspective view of the mug;
FIG. 3 is a front view of the mug;
FIG. 4 is a rear view of the mug;
FIG. 5 is a right side view of the mug;
FIG. 6 is a left side view of the mug;
FIG. 7 is a top view of the mug; and,
FIG. 8 is a bottom view of the mug.
The broken lines represent portions of the mug that form no part of the claimed design.

(56) **References Cited**
U.S. PATENT DOCUMENTS

D196,079 S *	8/1963	Marb	D34/8
D297,389 S *	8/1988	Demaree	D7/511
D327,817 S *	7/1992	Paullin	D7/510

1 Claim, 8 Drawing Sheets



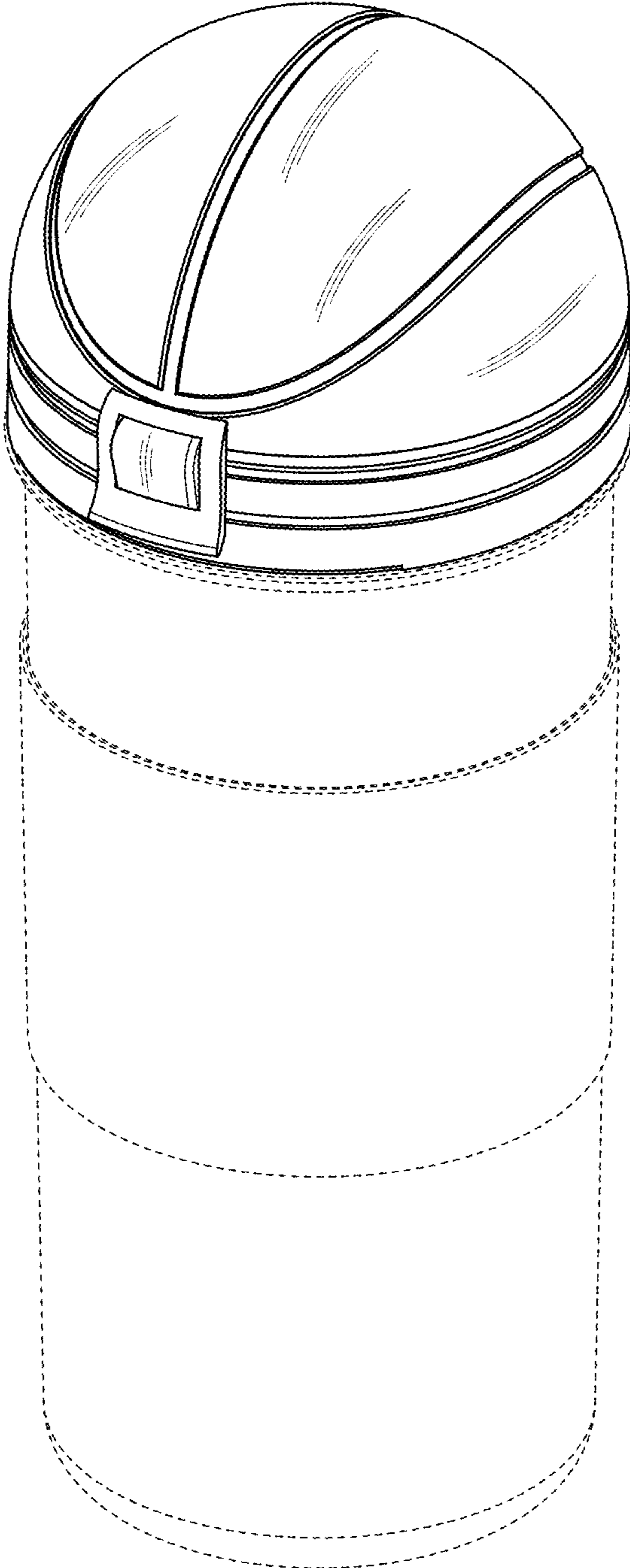


FIG. 1

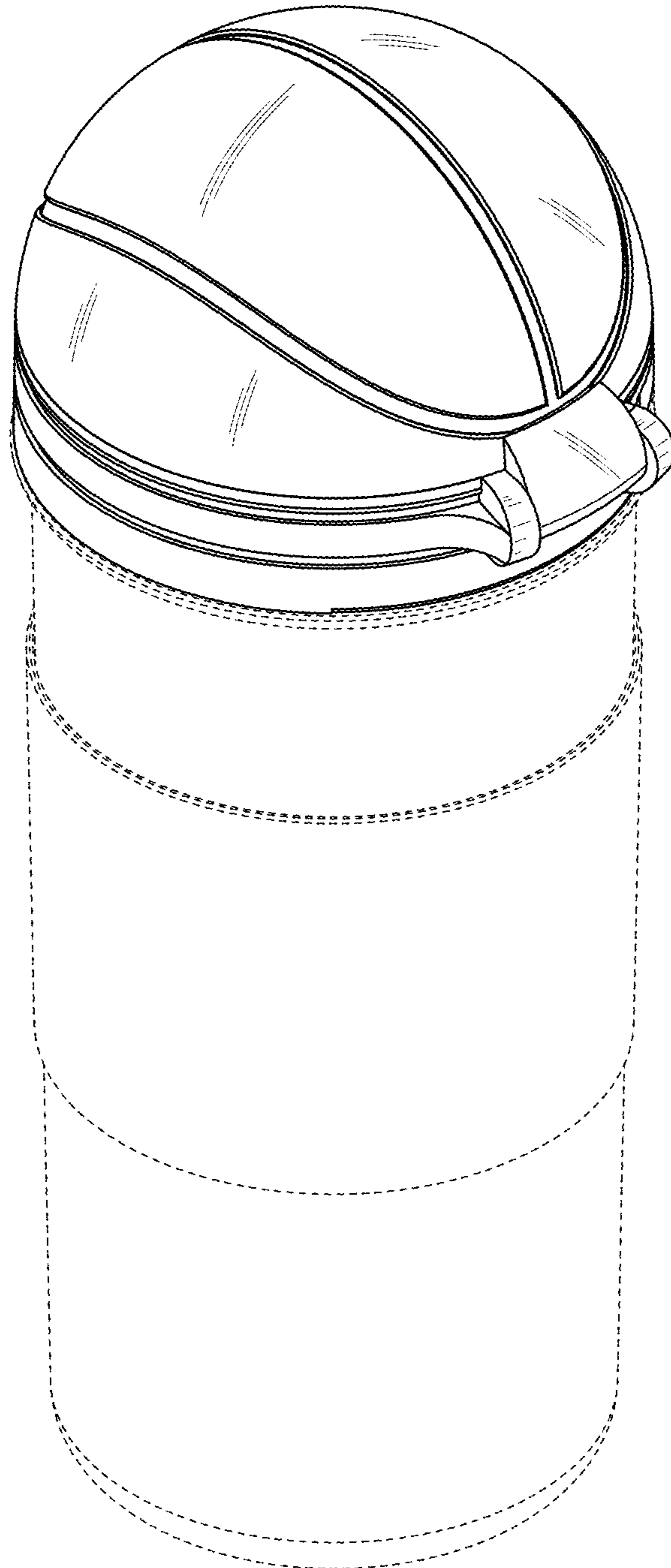


FIG. 2

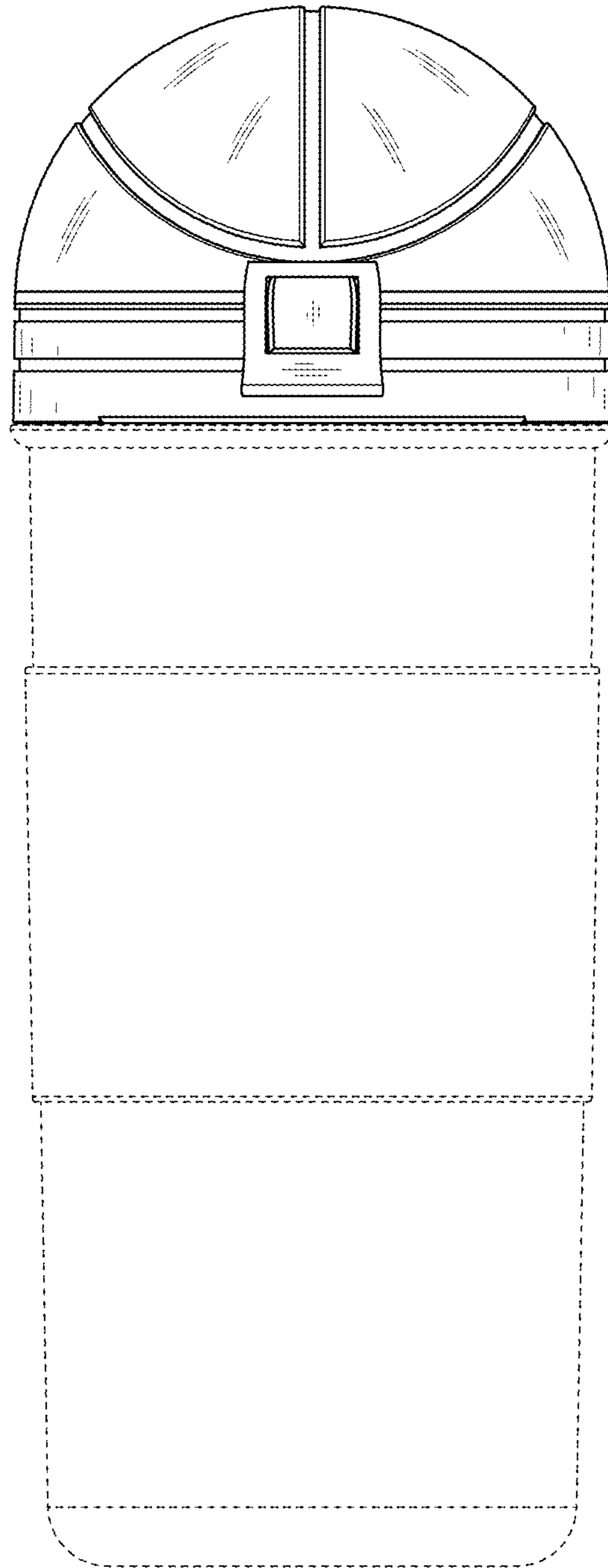


FIG. 3

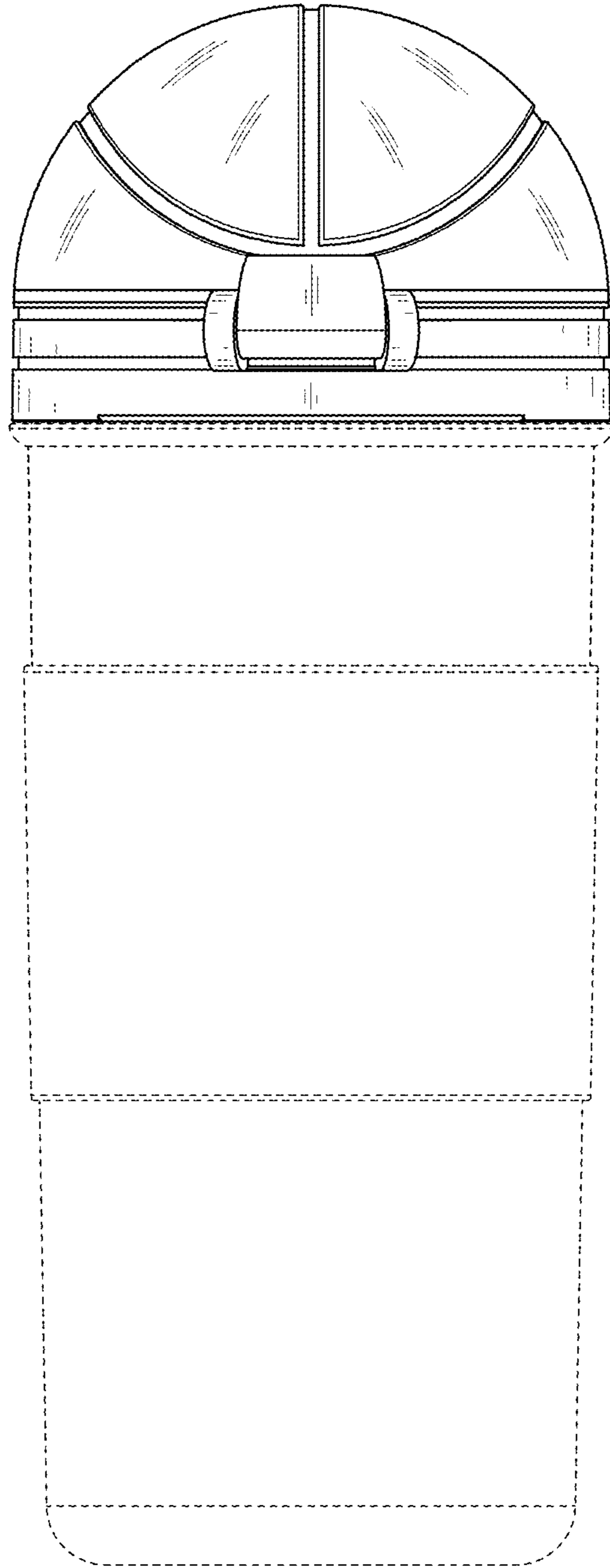


FIG. 4

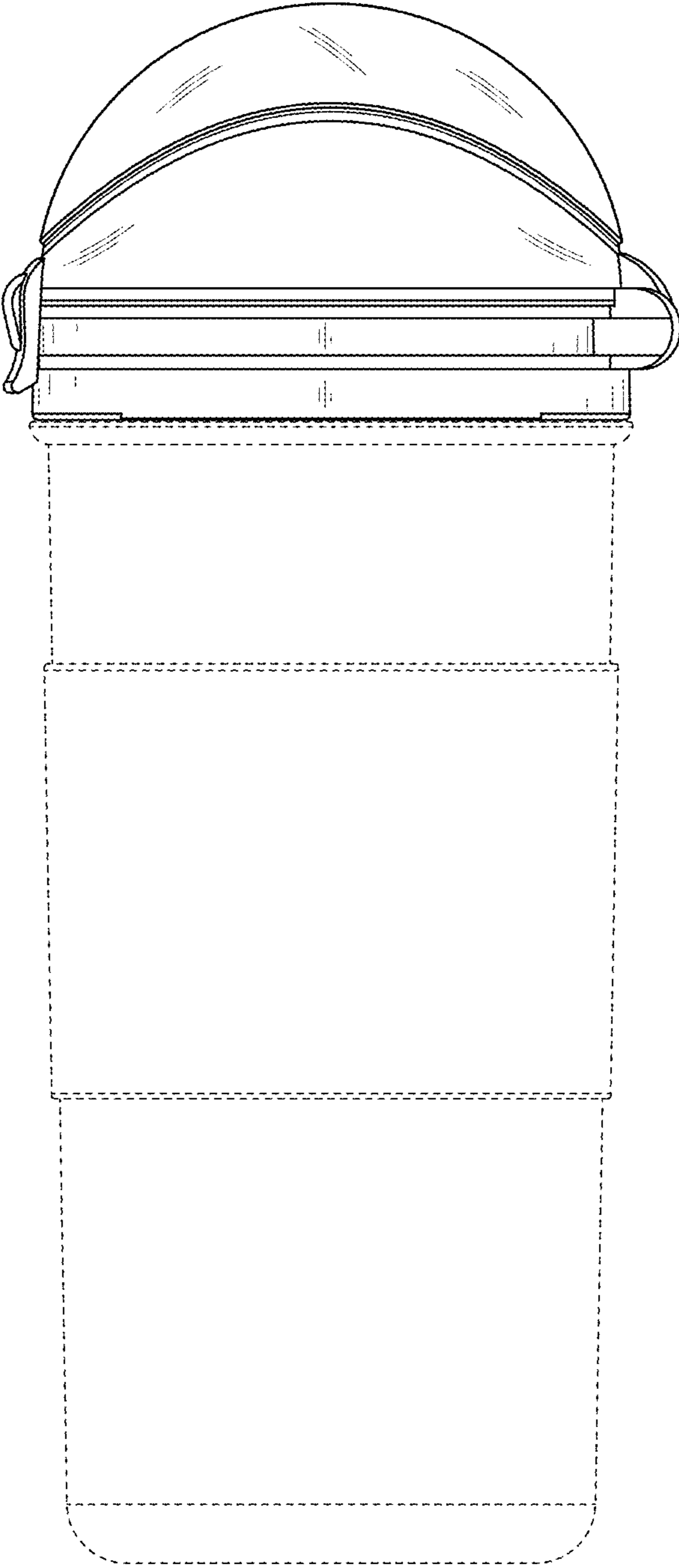


FIG. 5

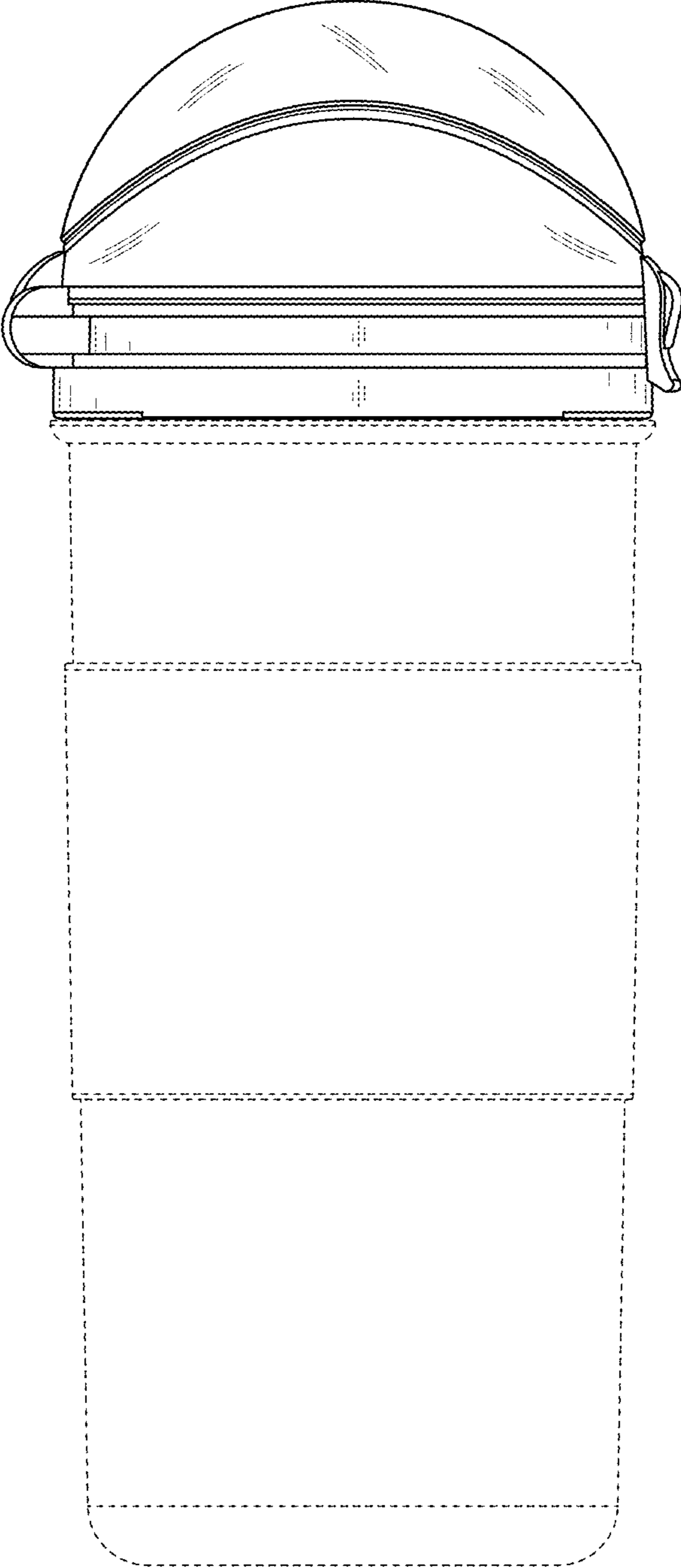


FIG. 6

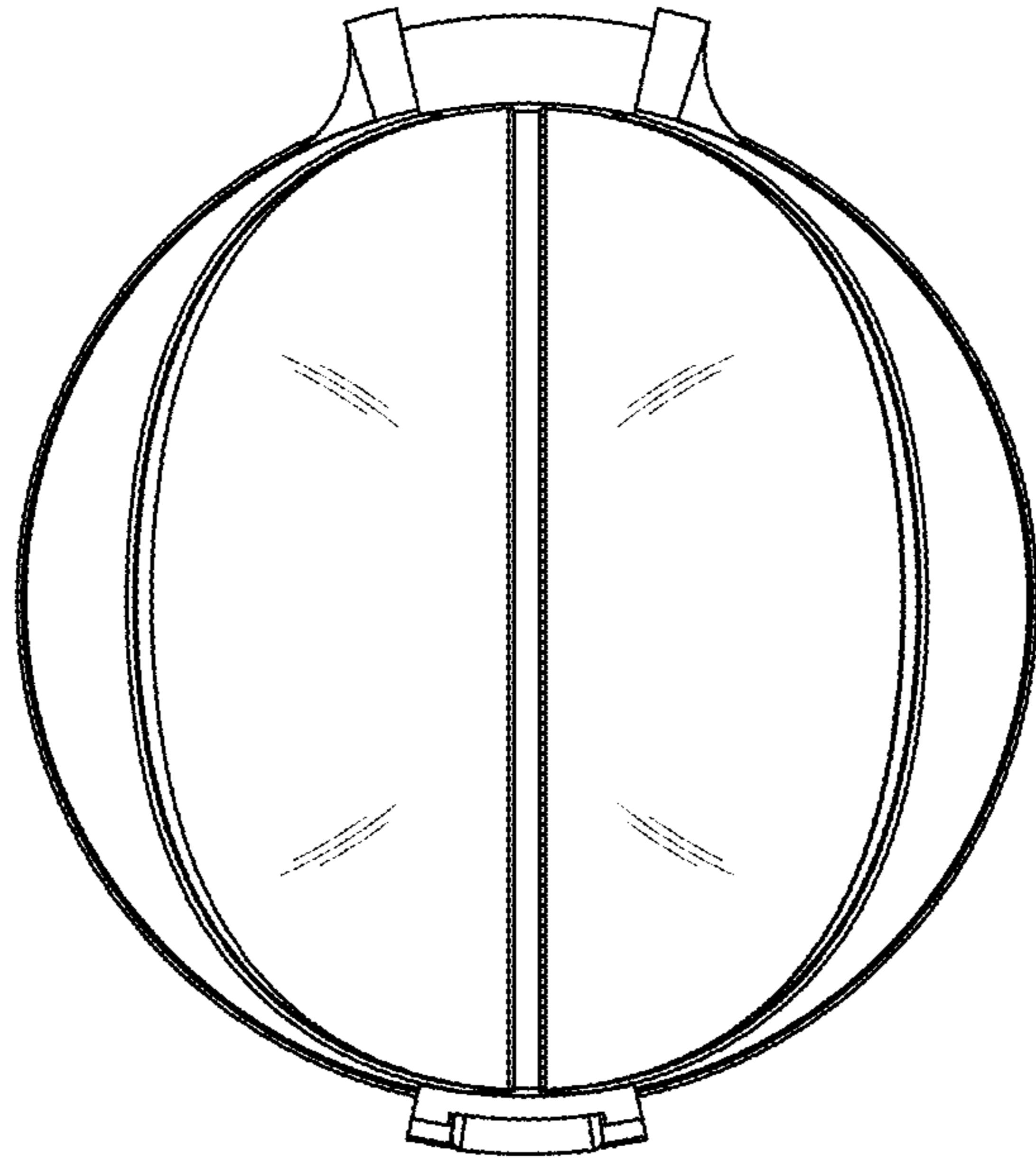


FIG. 7

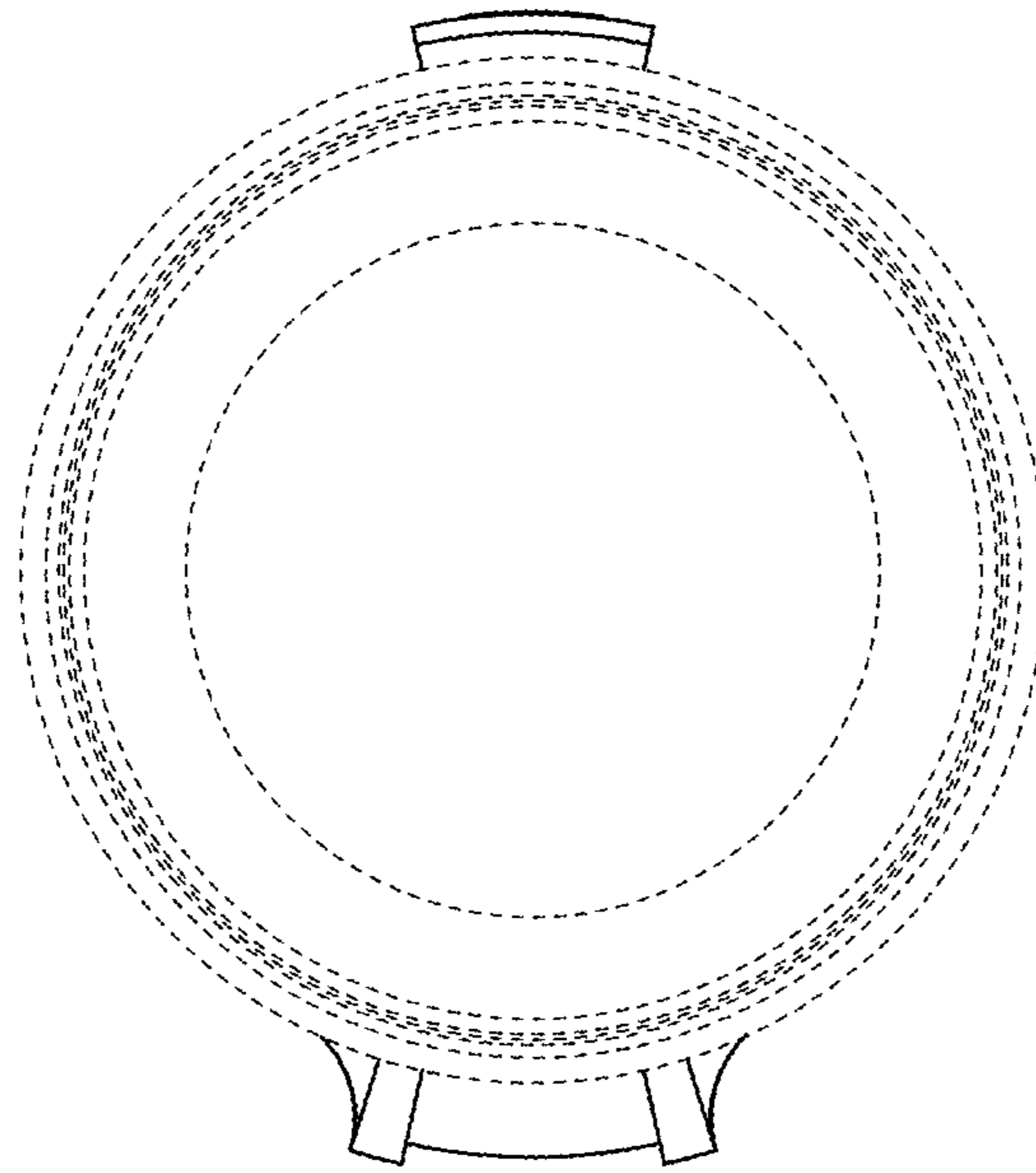


FIG. 8