



US00D825267S

(12) **United States Design Patent**  
**Iorio et al.**

(10) **Patent No.:** **US D825,267 S**  
(45) **Date of Patent:** **\*\* Aug. 14, 2018**

(54) **FRY BASKET WITH SPLAYED HANDLE AND HANGER ASSEMBLY**

(71) Applicant: **CNH Foodservice, Inc.**, San Juan Capistrano, CA (US)

(72) Inventors: **Greg Iorio**, San Clemente, CA (US); **Jose Guadalupe Mercado**, Azusa, CA (US); **Javier Mercado**, El Monte, CA (US); **Edgar Guzman**, Fontana, CA (US)

(73) Assignee: **CNH FOODSERVICE, INC.**, San Juan Capistrano, CA (US)

(\*\*) Term: **15 Years**

(21) Appl. No.: **29/588,903**

(22) Filed: **Dec. 23, 2016**

(51) **LOC (11) Cl.** ..... **07-02**

(52) **U.S. Cl.**  
USPC ..... **D7/409; D7/354; D7/360**

(58) **Field of Classification Search**  
USPC ..... **D3/306; D7/323, 332, 335-337, D7/354-356, 359-364, 387-388, 402, D7/407-409**

(Continued)

(56) **References Cited**

**U.S. PATENT DOCUMENTS**

201,959 A \* 4/1878 Stockwell et al. .... B65D 7/20  
220/485

859,717 A 7/1907 Zinn  
(Continued)

*Primary Examiner* — Ricky Pham

(74) *Attorney, Agent, or Firm* — Myers Andras LLP;  
Joseph C. Andras

(57) **CLAIM**

The ornamental design for a fry basket with splayed handle and hanger assembly, as shown and described.

**DESCRIPTION**

FIG. 1 is a perspective view of a fry basket with splayed handle and hanger assembly of a first size according to a first embodiment of our design, a fry basket with splayed handle and hanger assembly of a second size according to a second embodiment of our design, and a fry basket with splayed handle and hanger assembly of a third size according to a third embodiment of our design;

FIG. 2 is a perspective view of the fry basket with splayed handle and hanger assembly of the first size according to the first embodiment viewed from a front end;

FIG. 3 is a right side elevational view thereof, the left side elevational view being a mirror image thereof;

FIG. 4 is a front elevational view thereof;

FIG. 5 is a rear elevational view thereof;

FIG. 6 is a top plan view thereof; and

FIG. 7 is a bottom plan view thereof;

FIG. 8 is a perspective view of the fry basket with splayed handle and hanger assembly of the second size according to the second embodiment viewed from a front end;

FIG. 9 is a right side elevational view thereof, the left side elevational view being a mirror image thereof;

FIG. 10 is a front elevational view thereof;

FIG. 11 is a rear elevational view thereof;

FIG. 12 is a top plan view thereof; and

FIG. 13 is a bottom plan view thereof;

FIG. 14 is a perspective view of the fry basket with splayed handle and hanger assembly of the third size according to the third embodiment viewed from a front end;

FIG. 15 is a right side elevational view thereof, the left side elevational view being a mirror image thereof;

FIG. 16 is a front elevational view thereof;

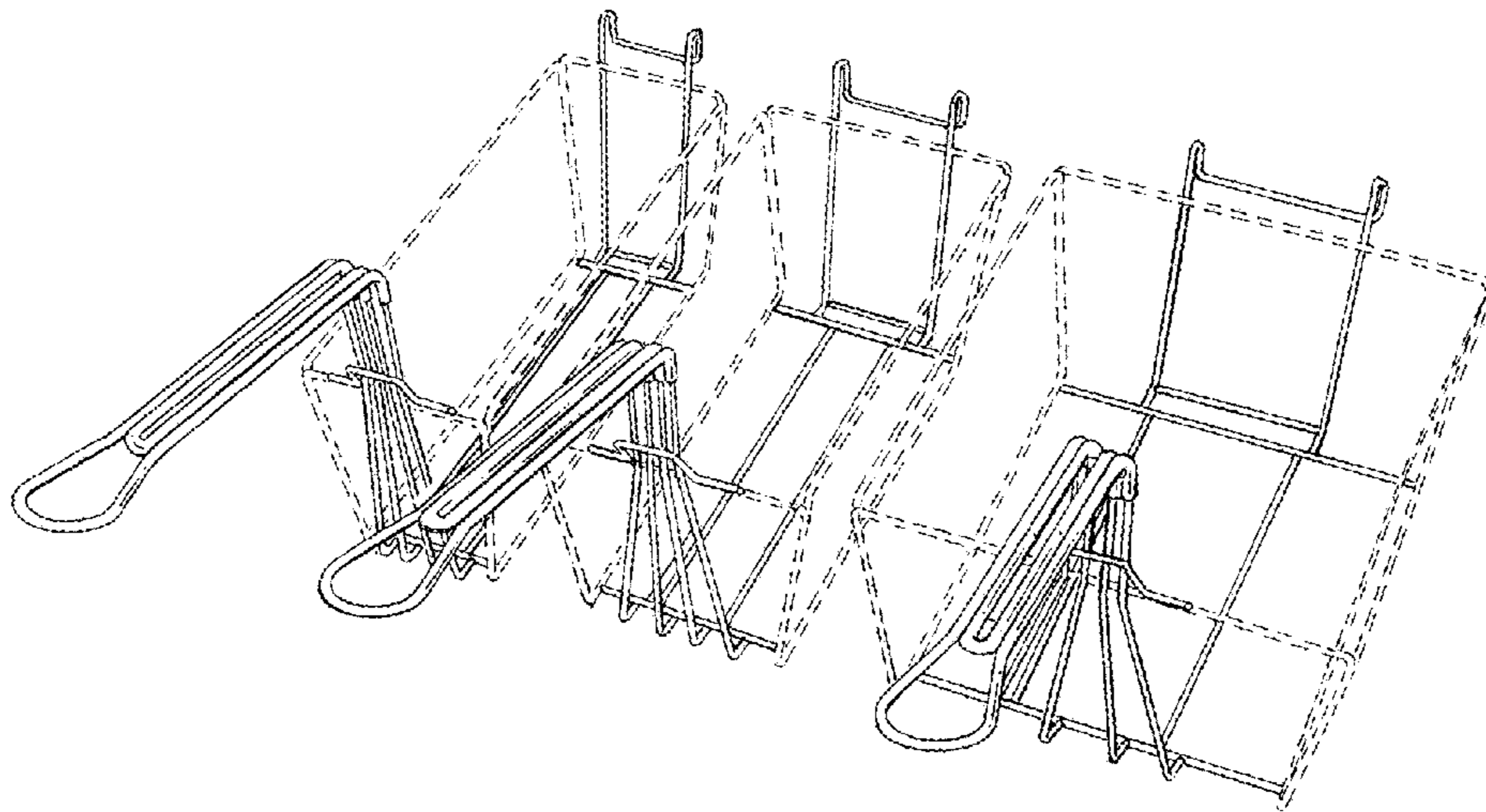
FIG. 17 is a rear elevational view thereof;

FIG. 18 is a top plan view thereof; and

FIG. 19 is a bottom plan view thereof.

The broken lines shown in the drawings are for illustrative purposes only and form no part of the claimed design.

**1 Claim, 19 Drawing Sheets**



**US D825,267 S**

(58) **Field of Classification Search**

CPC .... A21B 2/00; A21B 3/00; A21B 3/13; A21B 3/15; A21B 5/00; A21B 5/02; A23N 12/06; A23N 12/08; A23N 12/10; A47J 27/62; A47J 36/16; A47J 37/00; A47J 37/04; A47J 37/041; A47J 37/042; A47J 37/06; A47J 37/0688; A47J 37/0694; A47J 37/07; A47J 37/0704; A47J 37/10; A47J 37/1295; A47J 47/20; A47J 2037/00; A47J 2037/06; A47J 2037/0611; A47J 2037/07; A47J 2037/0786; A47J 2037/0795; B65D 7/20; F24C 15/10; F24C 15/12; F24C 15/14; F24C 15/16; F24C 15/164; F24C 15/18

See application file for complete search history.

4,542,685 A 9/1985 Wilson  
 4,704,290 A 11/1987 Fritzsche  
 4,854,227 A 8/1989 Koopman  
 D304,991 S 12/1989 Roberge  
 5,079,020 A 1/1992 Koopman et al.  
 5,359,924 A 11/1994 Roberts et al.  
 5,544,567 A \* 8/1996 Davis ..... A47J 27/62  
 99/336  
 D396,346 S 7/1998 Hoernig  
 5,992,306 A \* 11/1999 Chiang ..... A47J 37/1295  
 210/464  
 6,131,506 A 10/2000 Kemper  
 6,398,066 B1 \* 6/2002 Mullins ..... A47J 37/1295  
 220/485  
 6,868,776 B2 3/2005 Stevenson et al.  
 7,543,530 B2 \* 6/2009 Cohn ..... A47J 36/16  
 99/403  
 8,037,812 B1 \* 10/2011 Sumner, Sr. .... A47J 37/1295  
 220/494

(56) **References Cited**

U.S. PATENT DOCUMENTS

1,689,395 A 10/1928 Kourim  
 2,186,345 A 1/1940 Reidenbach  
 2,450,962 A 10/1948 Hornkohl et al.  
 2,511,172 A 6/1950 Nicholson  
 2,547,490 A 4/1951 Rich  
 2,570,374 A 10/1951 Pompa  
 2,593,392 A 4/1952 Budlane et al.  
 2,658,444 A 11/1953 Wheeler  
 2,710,617 A 6/1955 James et al.  
 2,719,480 A 10/1955 Prickett et al.  
 2,739,715 A 3/1956 Planeta  
 2,740,349 A 4/1956 De Gonia  
 2,957,405 A 10/1960 Maldonado  
 3,071,064 A 1/1963 Horvath  
 3,107,602 A \* 10/1963 Ingram, Jr. .... A47J 37/1295  
 99/407  
 D197,322 S 1/1964 Wilt  
 3,217,633 A 11/1965 Anetsberger  
 3,242,849 A 3/1966 Wells  
 3,331,309 A 7/1967 Proffitt  
 3,484,252 A 12/1969 Popeil  
 3,525,299 A 8/1970 Gouwens et al.  
 3,605,605 A 9/1971 Sanchez  
 D236,414 S \* 8/1975 Kroll ..... 220/486  
 3,960,137 A 6/1976 Schmid  
 D242,947 S 1/1977 Graham  
 4,006,675 A 2/1977 Lill  
 4,232,596 A 11/1980 Kroll et al.  
 4,321,859 A 3/1982 Rimmeir  
 4,494,453 A 1/1985 Bentson  
 4,508,027 A 4/1985 McCord  
 4,542,684 A 9/1985 Cantrell

8,584,579 B1 \* 11/2013 Sumner, Sr. .... A47J 37/1295  
 220/494  
 D695,057 S \* 12/2013 DiFante ..... D7/354  
 D702,084 S 4/2014 Matos  
 9,220,371 B1 \* 12/2015 Demirakos ..... A47J 37/1295  
 9,408,498 B2 \* 8/2016 Sekora ..... A47J 37/1295  
 D796,259 S \* 9/2017 McGrath ..... D7/354  
 D814,190 S \* 4/2018 Mishan ..... D3/306  
 2002/0017198 A1 \* 2/2002 Gauthier ..... A47J 37/1295  
 99/330  
 2005/0204929 A1 \* 9/2005 Rosenzweig ..... A47J 37/1295  
 99/403  
 2005/0268791 A1 \* 12/2005 Svabek ..... A47J 37/1295  
 99/330  
 2005/0269332 A1 \* 12/2005 Svabeck ..... A47J 37/1295  
 220/485  
 2007/0214968 A1 \* 9/2007 Larson ..... A47J 37/1295  
 99/403  
 2007/0251517 A1 \* 11/2007 Sus ..... A47J 37/1295  
 126/20  
 2008/0124438 A1 \* 5/2008 Forte ..... A47J 37/1295  
 426/389  
 2013/0233183 A1 \* 9/2013 Brinckerhoff ..... A47J 37/1295  
 99/403  
 2014/0060340 A1 \* 3/2014 Matos ..... A47J 37/1295  
 99/416  
 2014/0144332 A1 \* 5/2014 Svabek ..... A47J 37/1295  
 99/403  
 2014/0263344 A1 \* 9/2014 Svabek ..... A47J 37/1295  
 220/485  
 2015/0297031 A1 \* 10/2015 Hammac ..... A47J 37/1295  
 99/403

\* cited by examiner

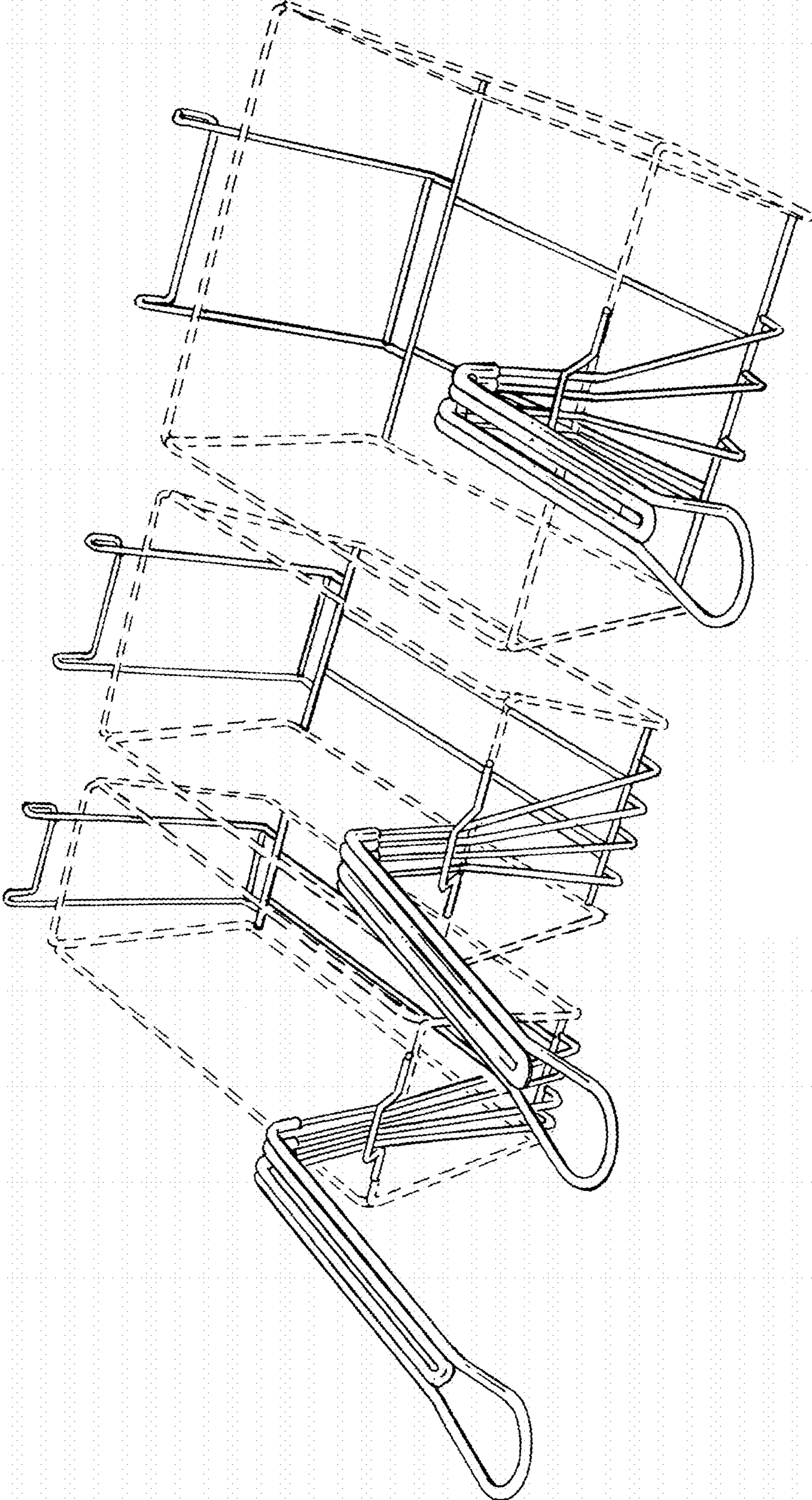


FIG. 1

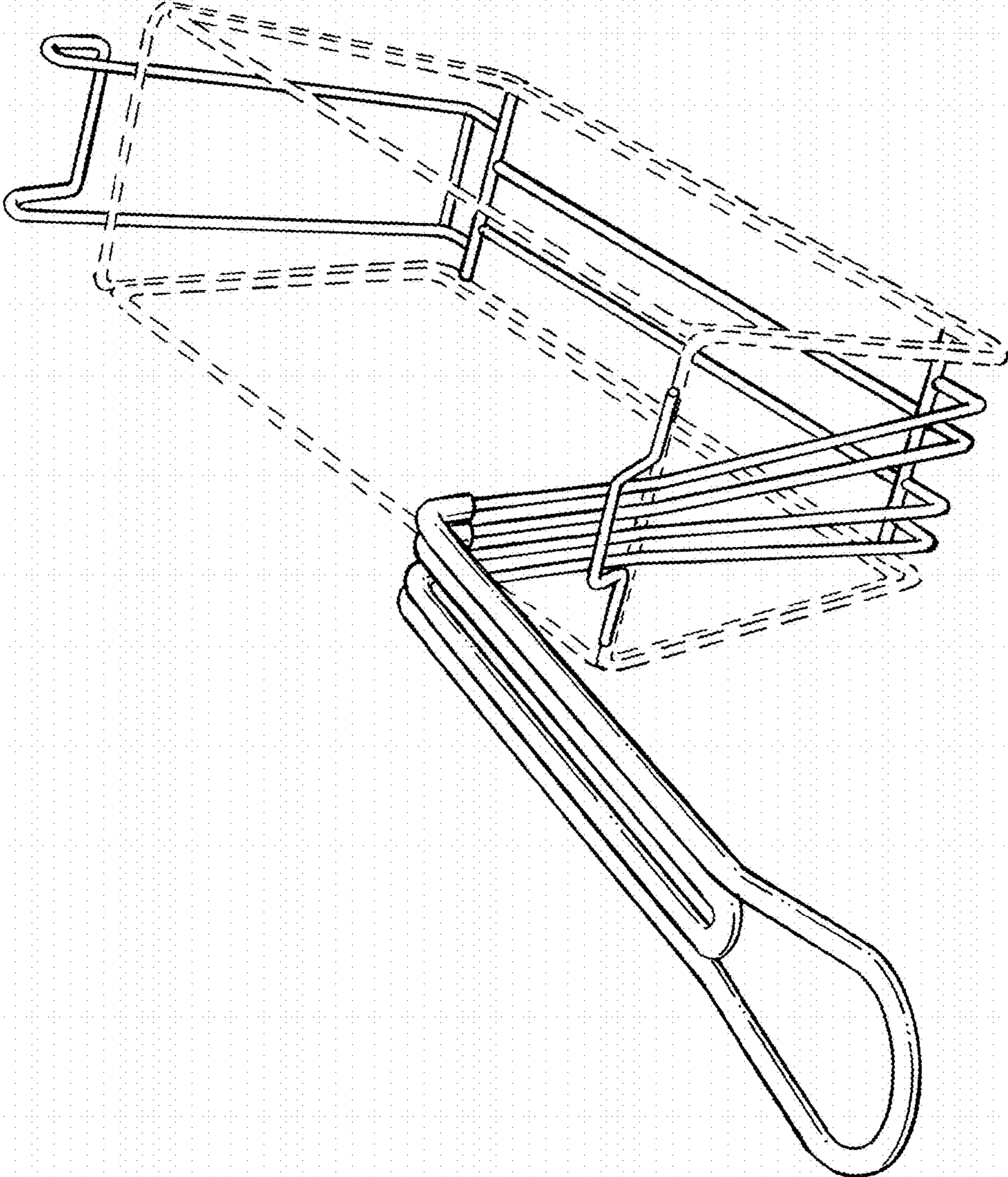


FIG. 2

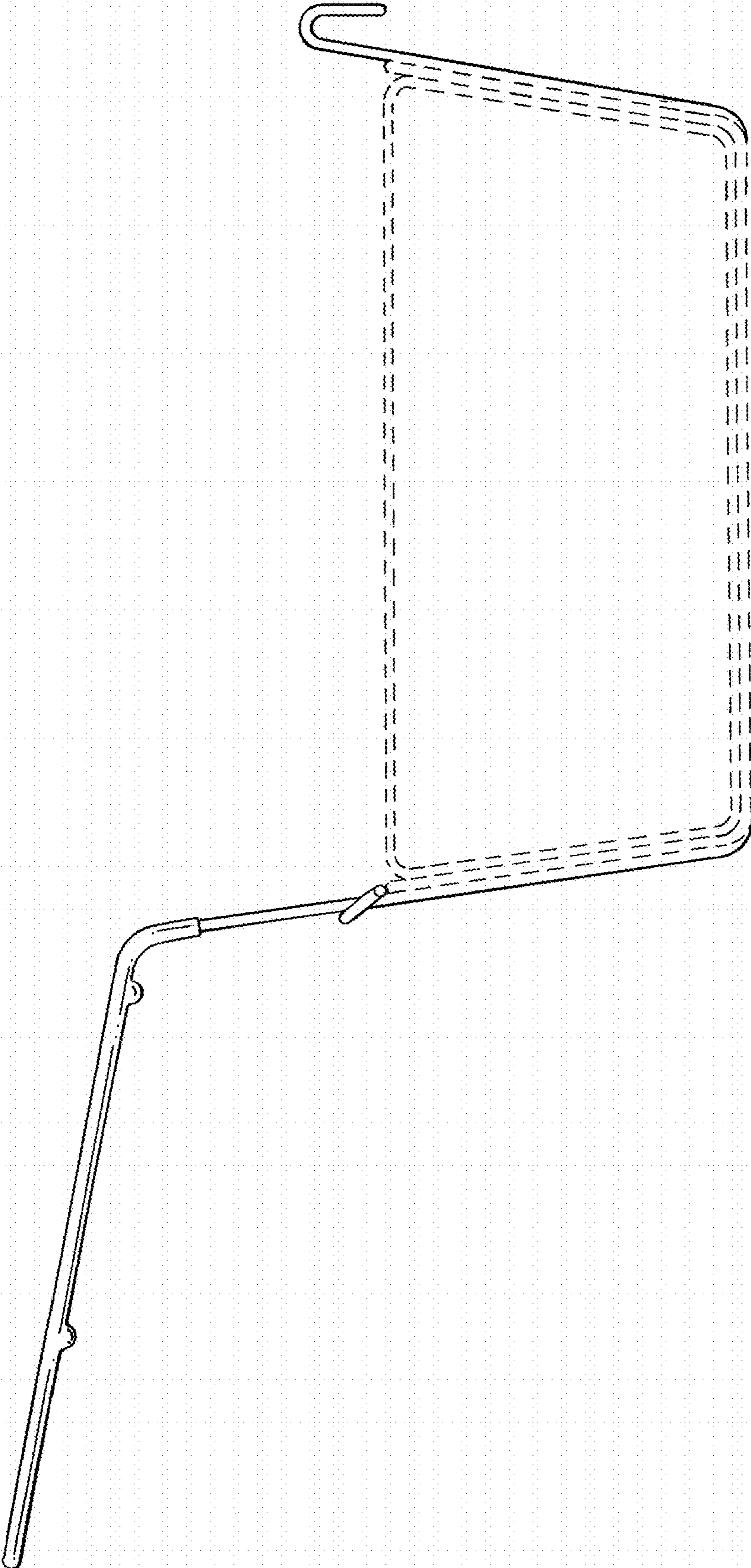


FIG. 3

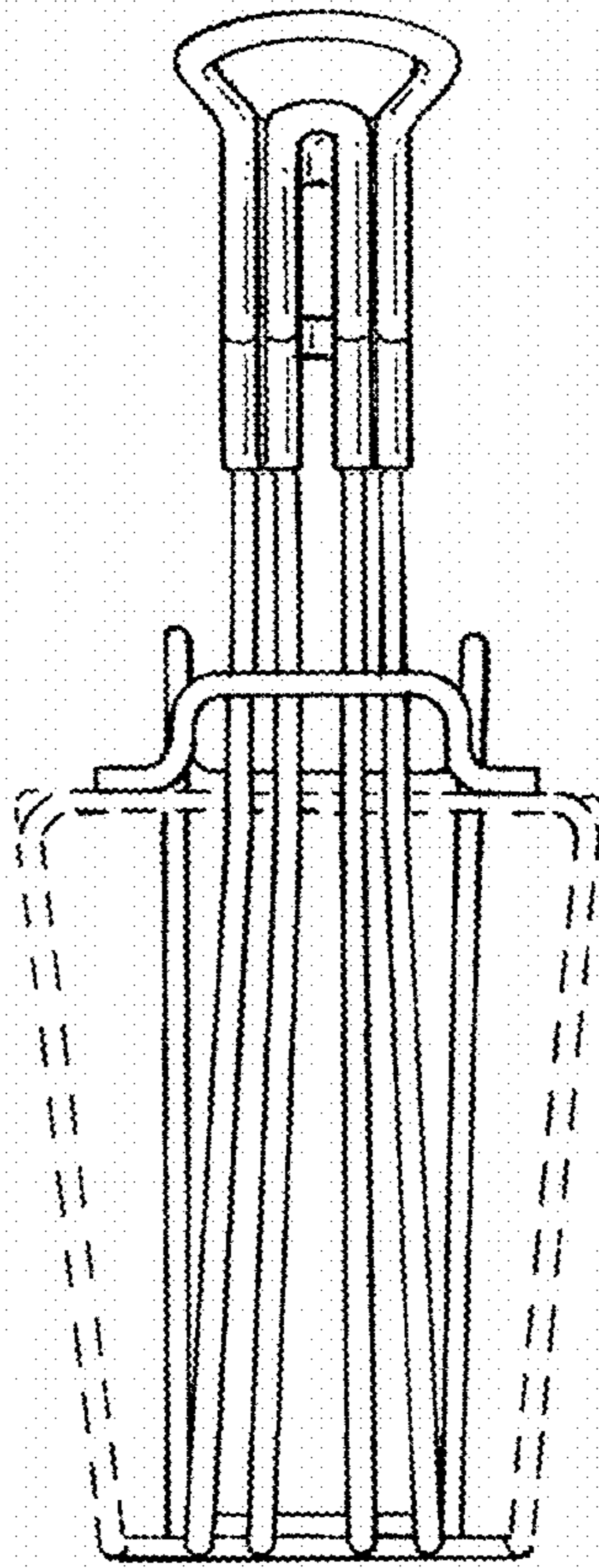


FIG. 4

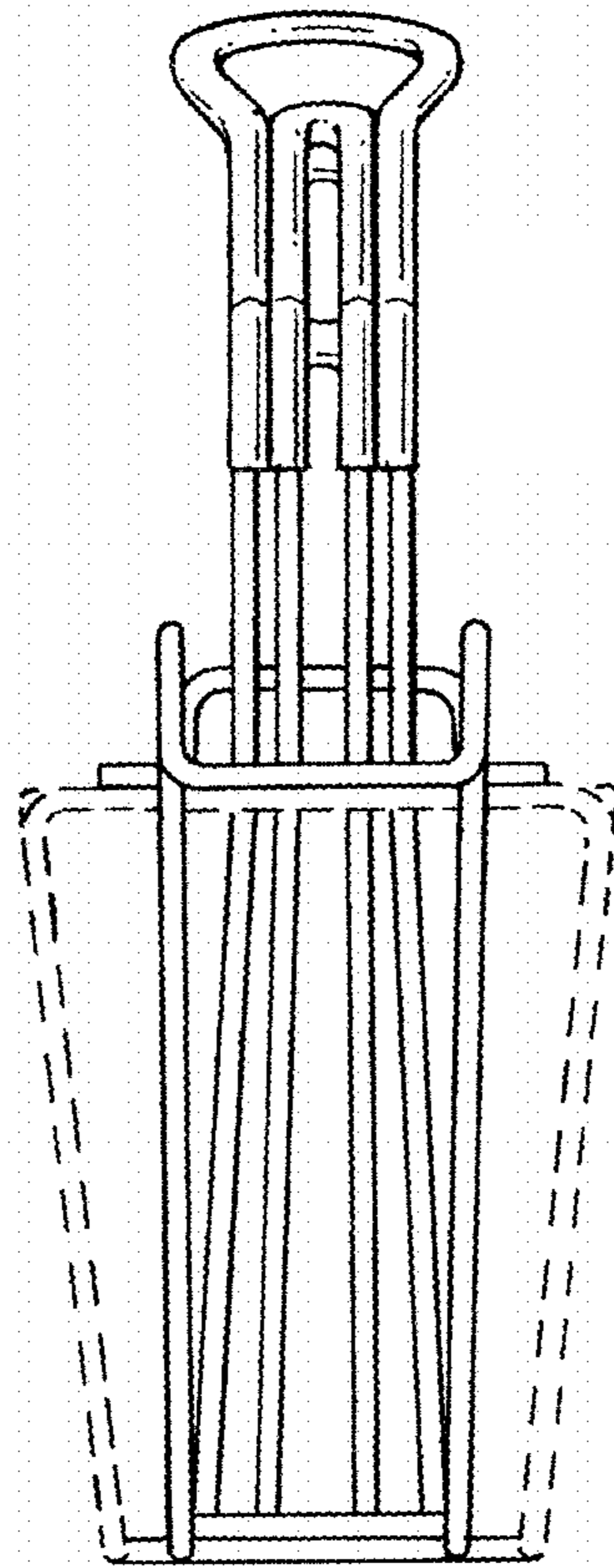


FIG. 5

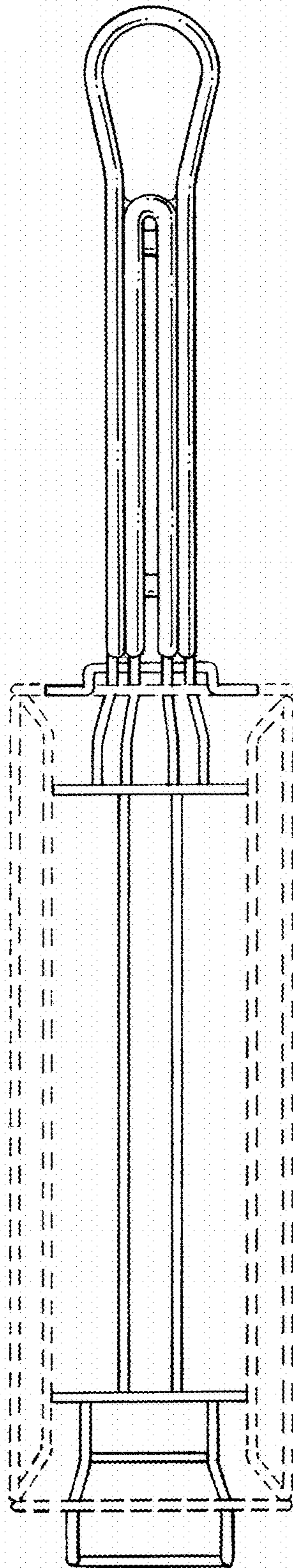


FIG. 6



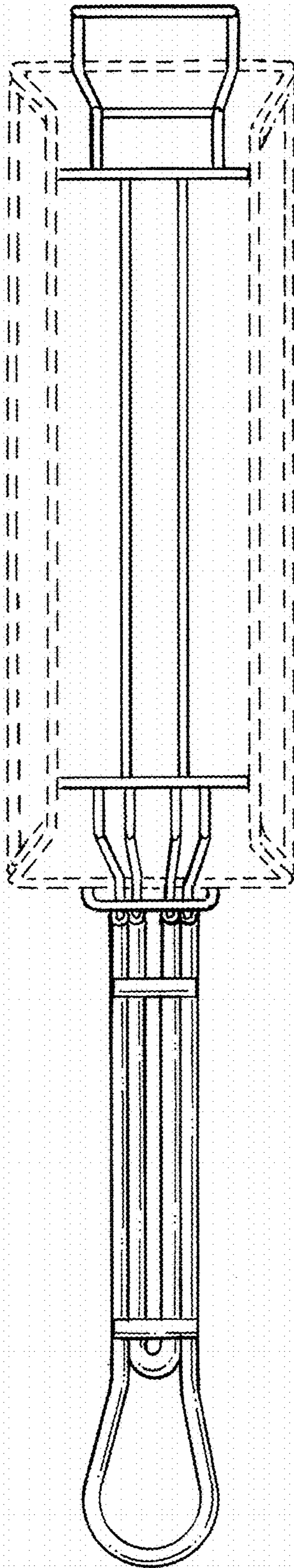


FIG. 7

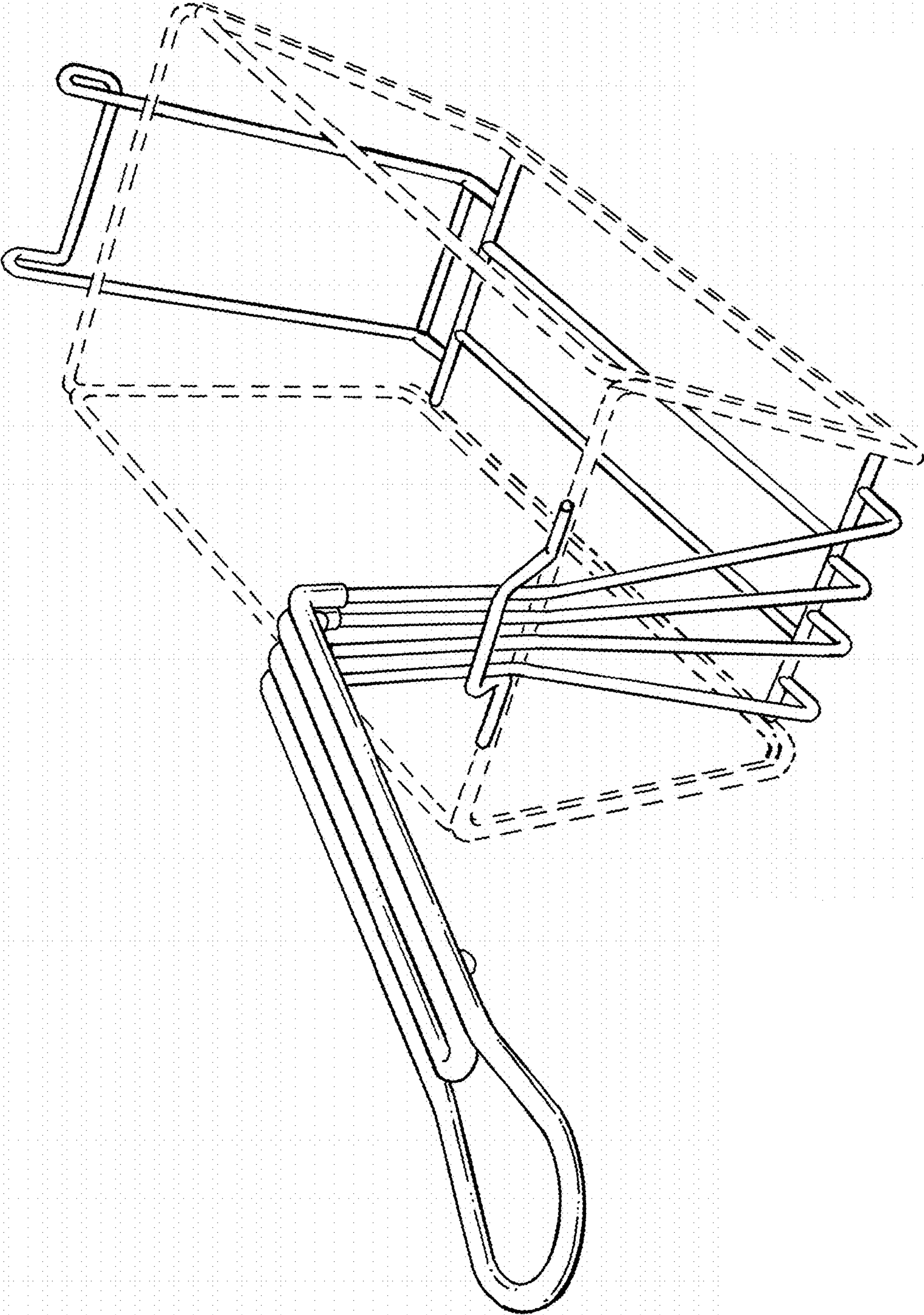


FIG. 8

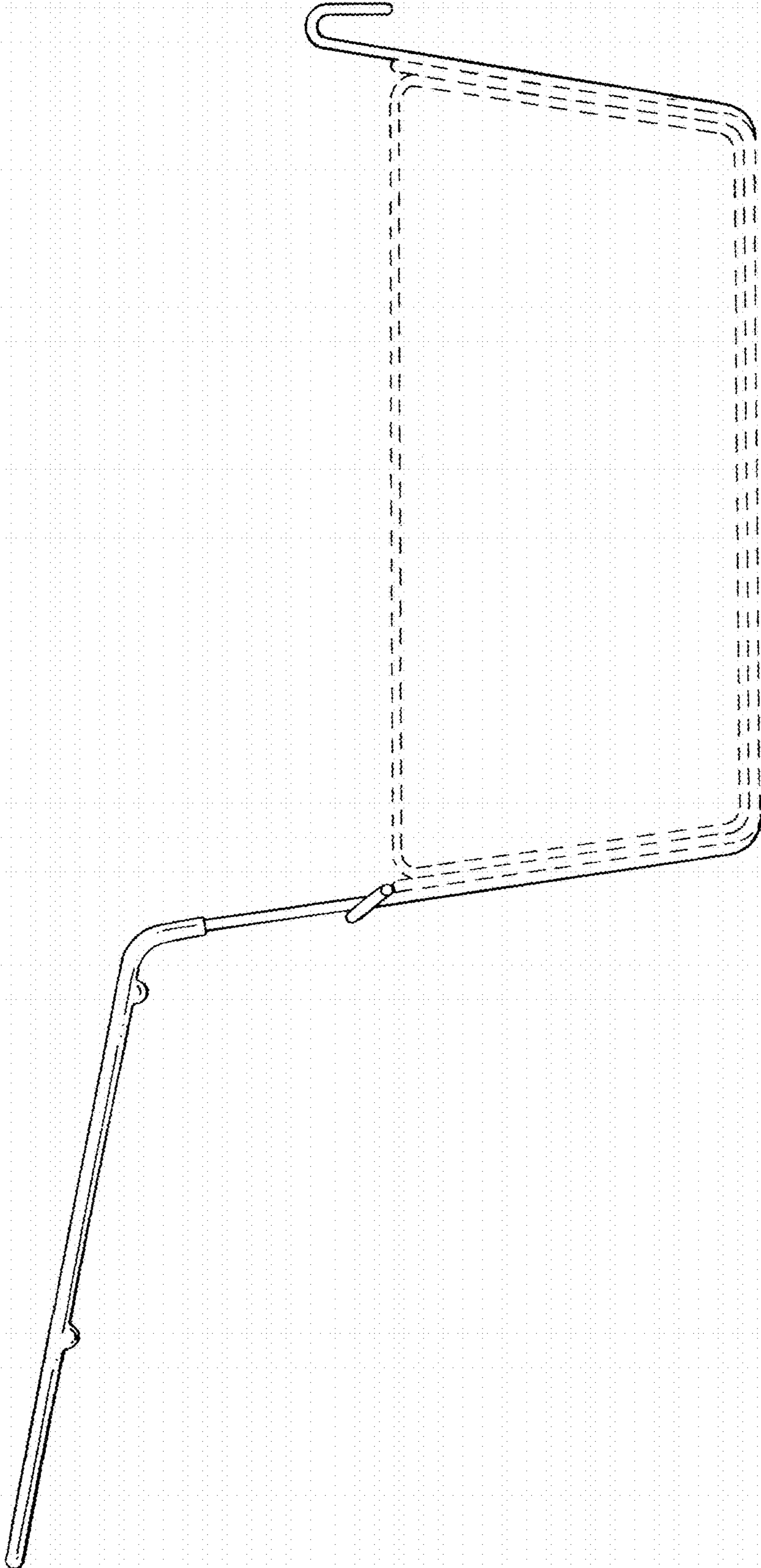
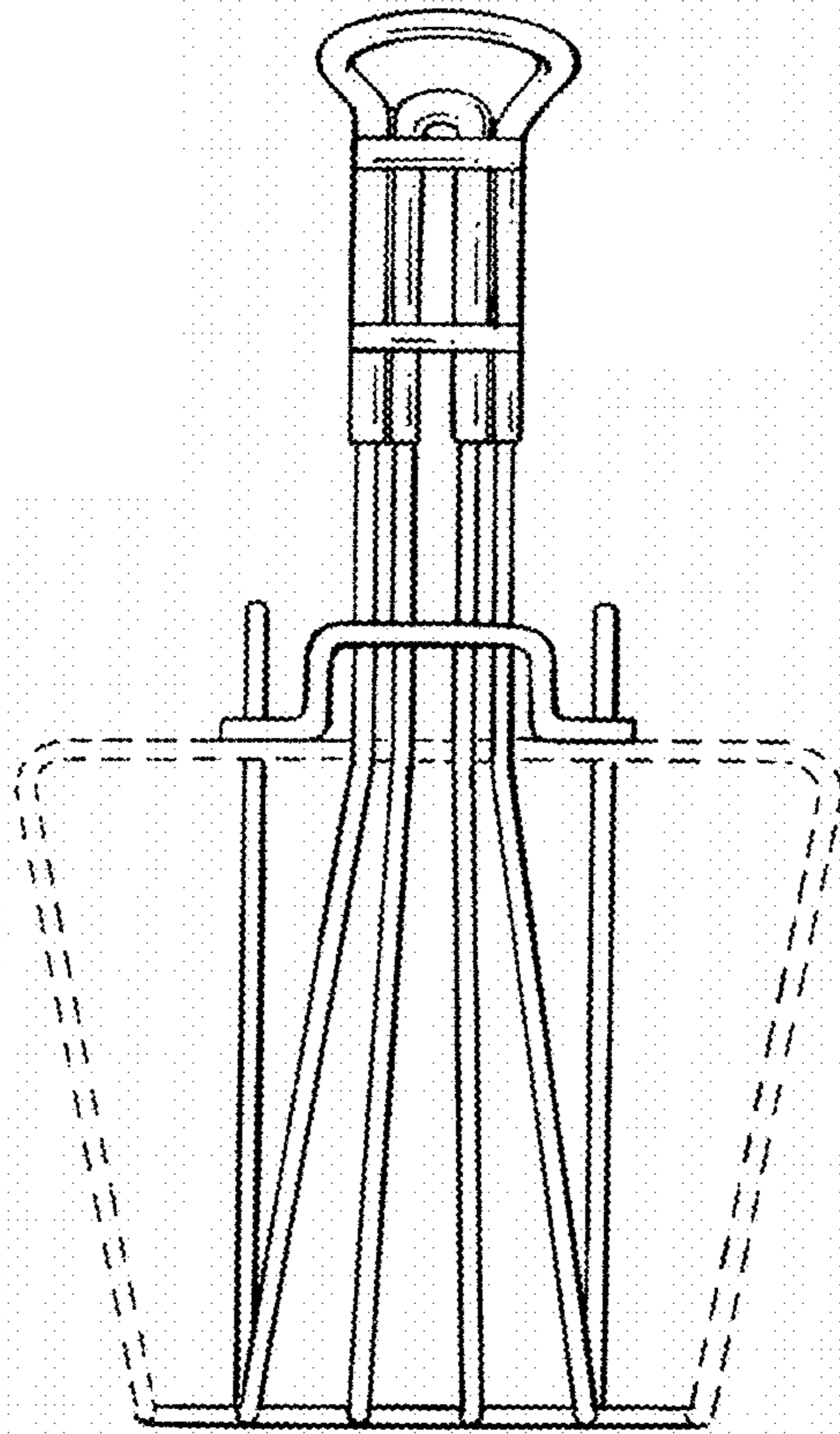
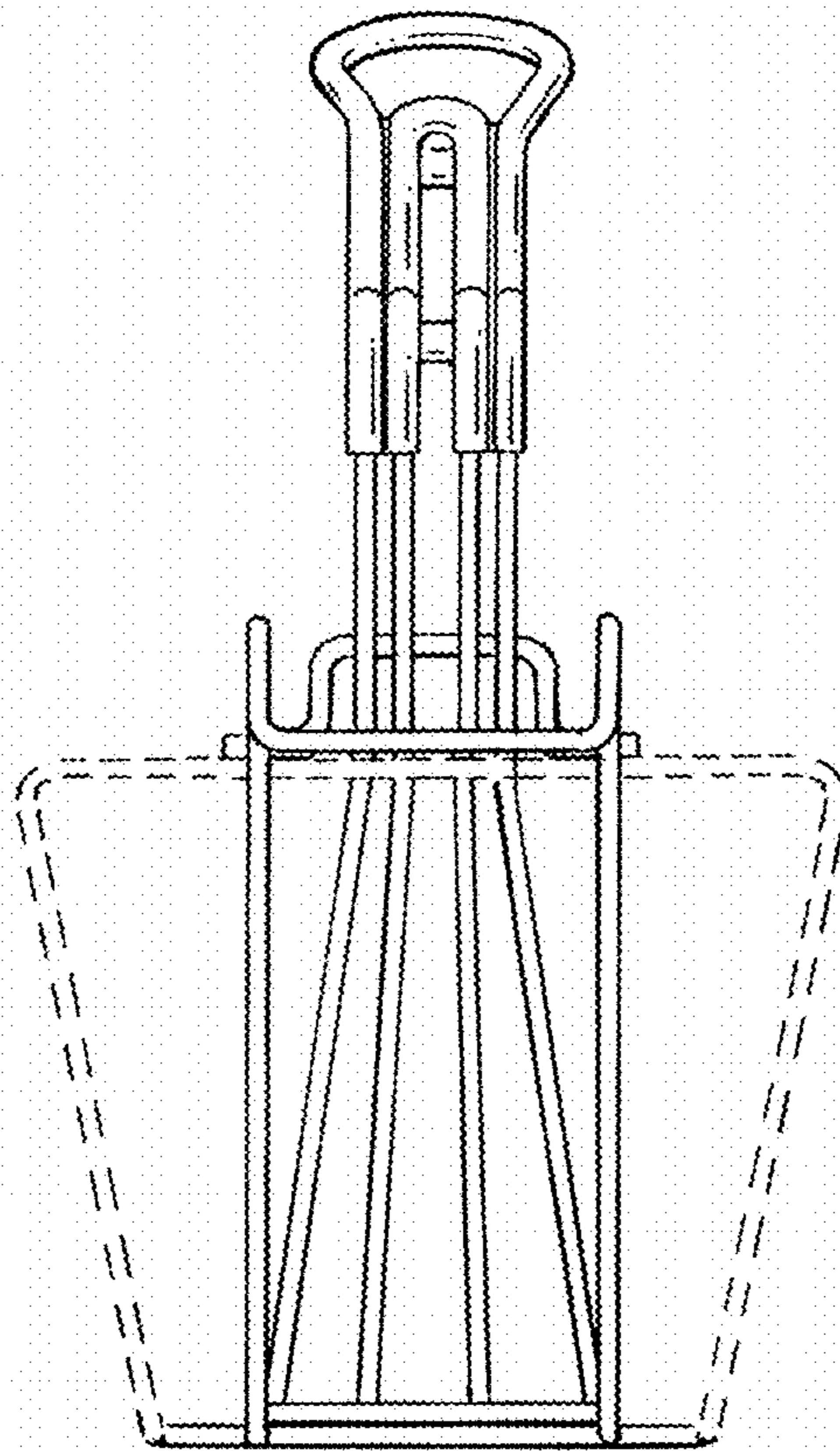


FIG. 9



**FIG. 10**



**FIG. 11**

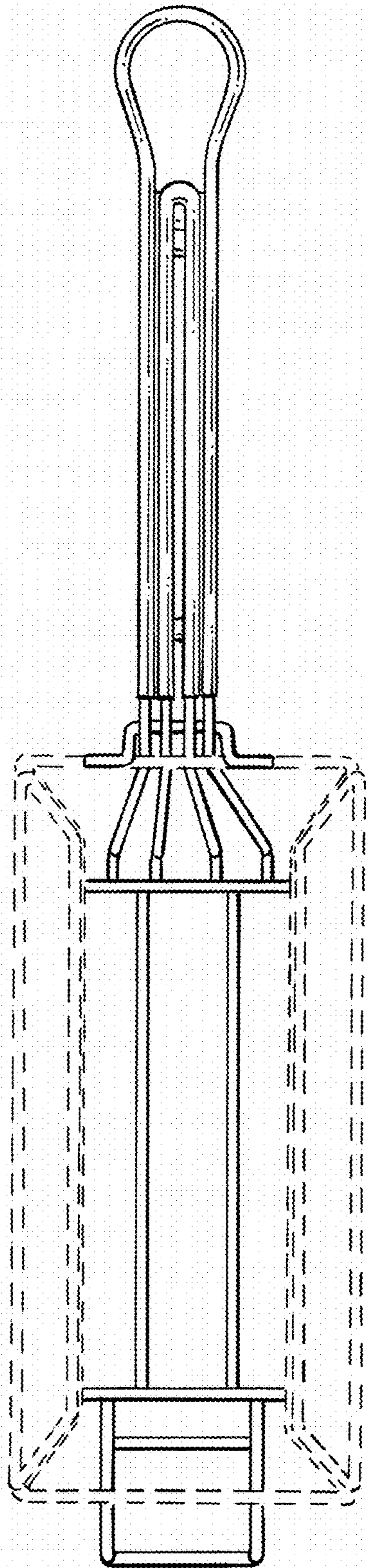


FIG. 12

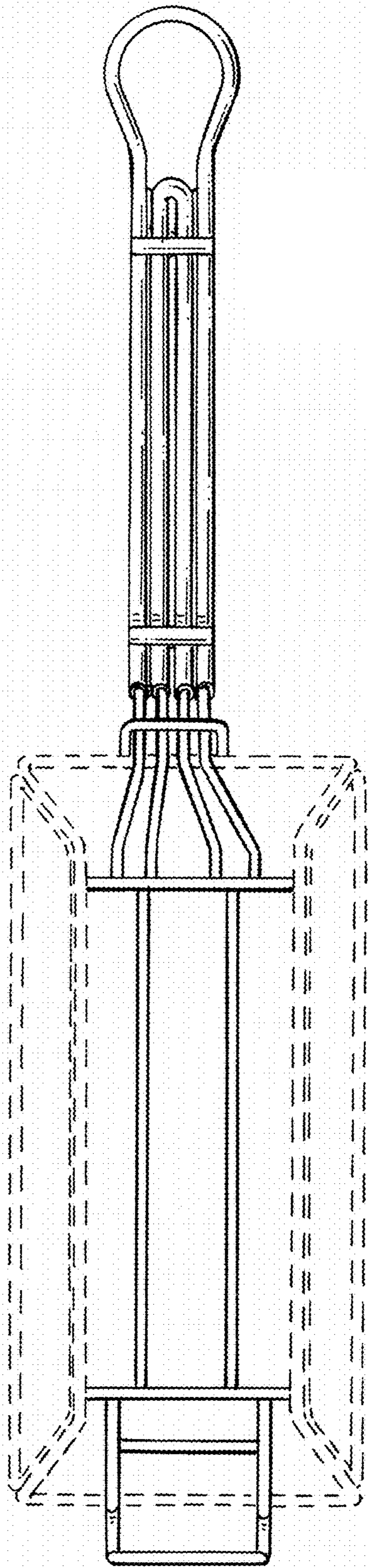


FIG. 13

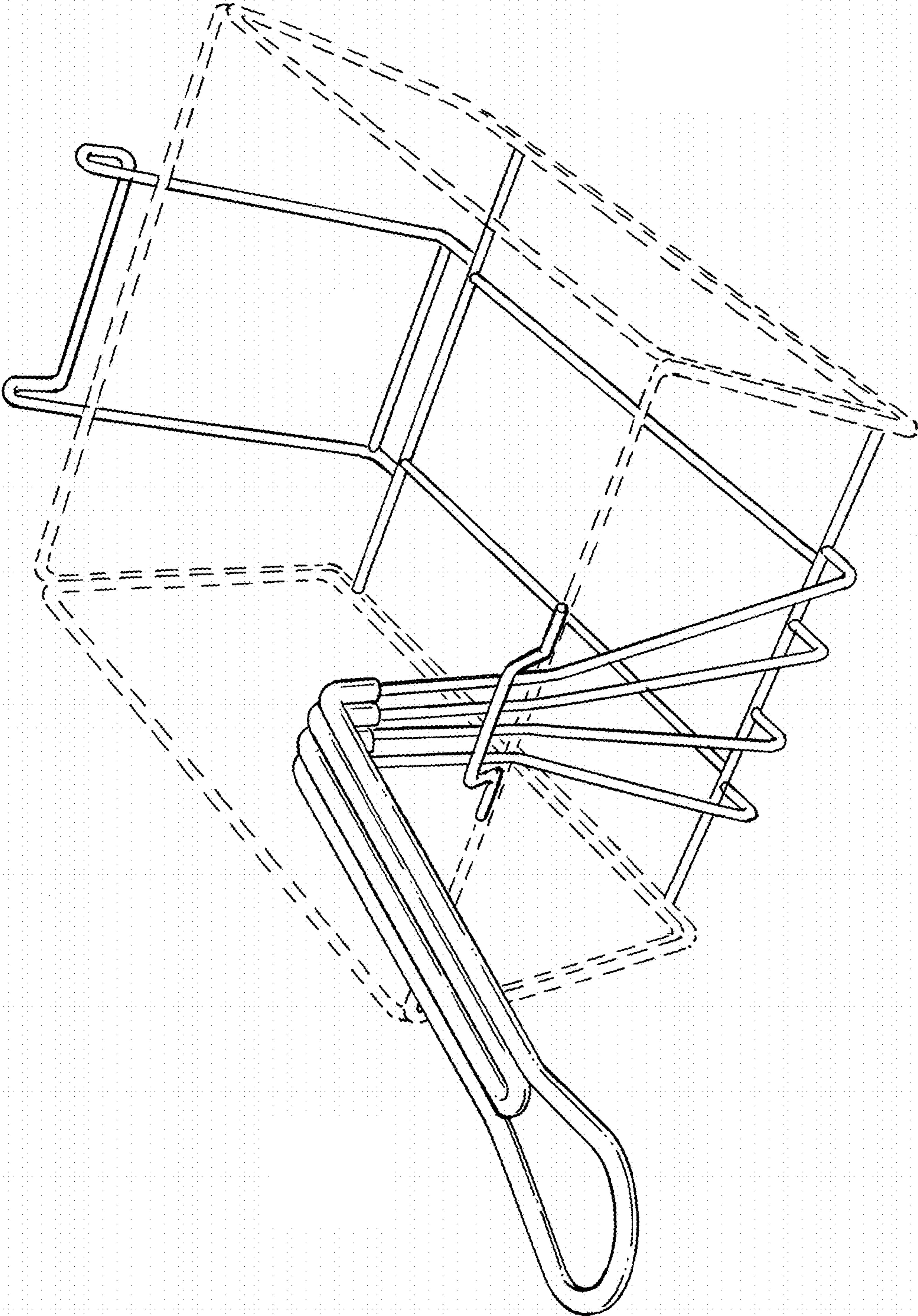


FIG. 14



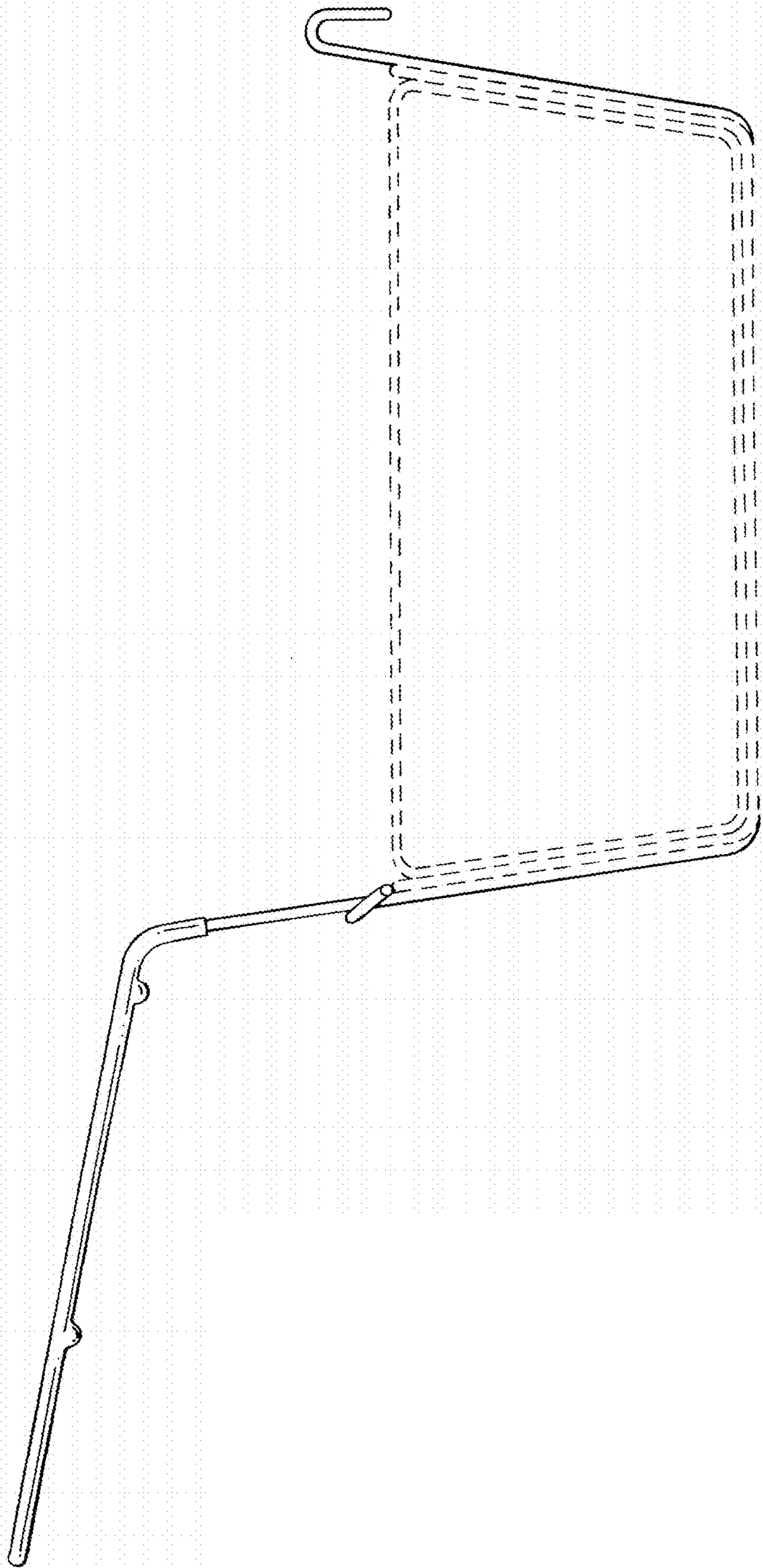


FIG. 15

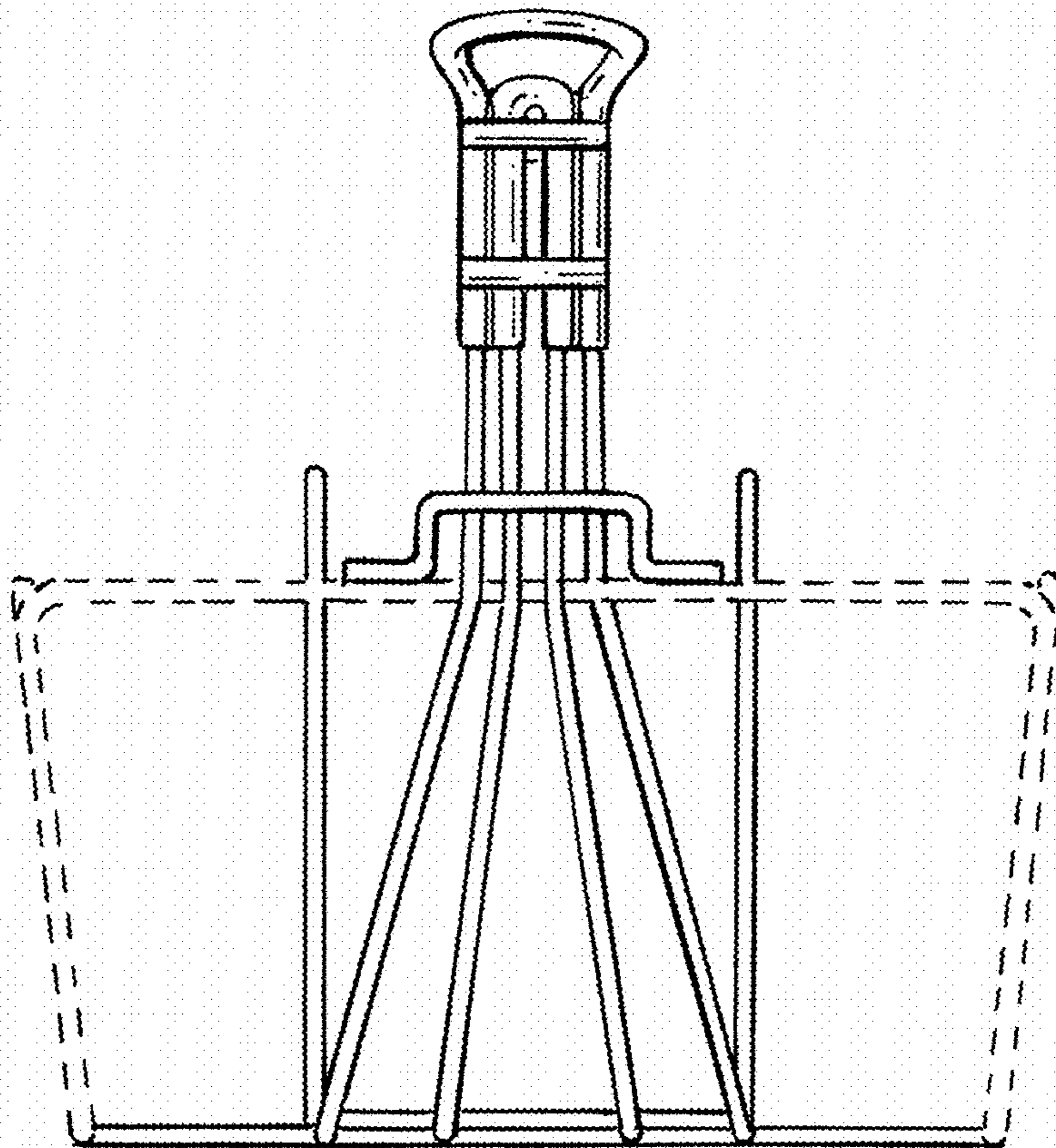


FIG. 16

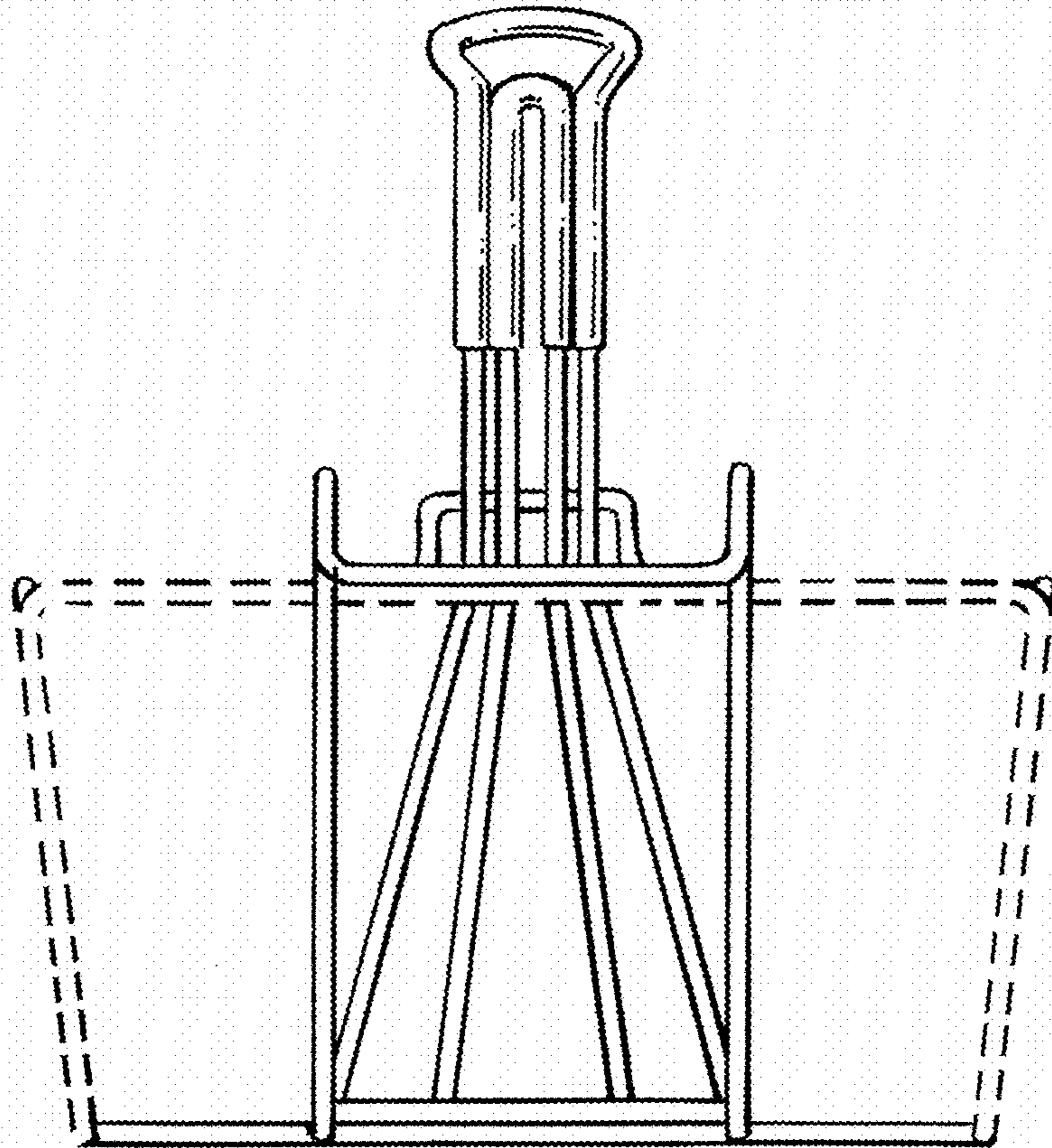


FIG. 17

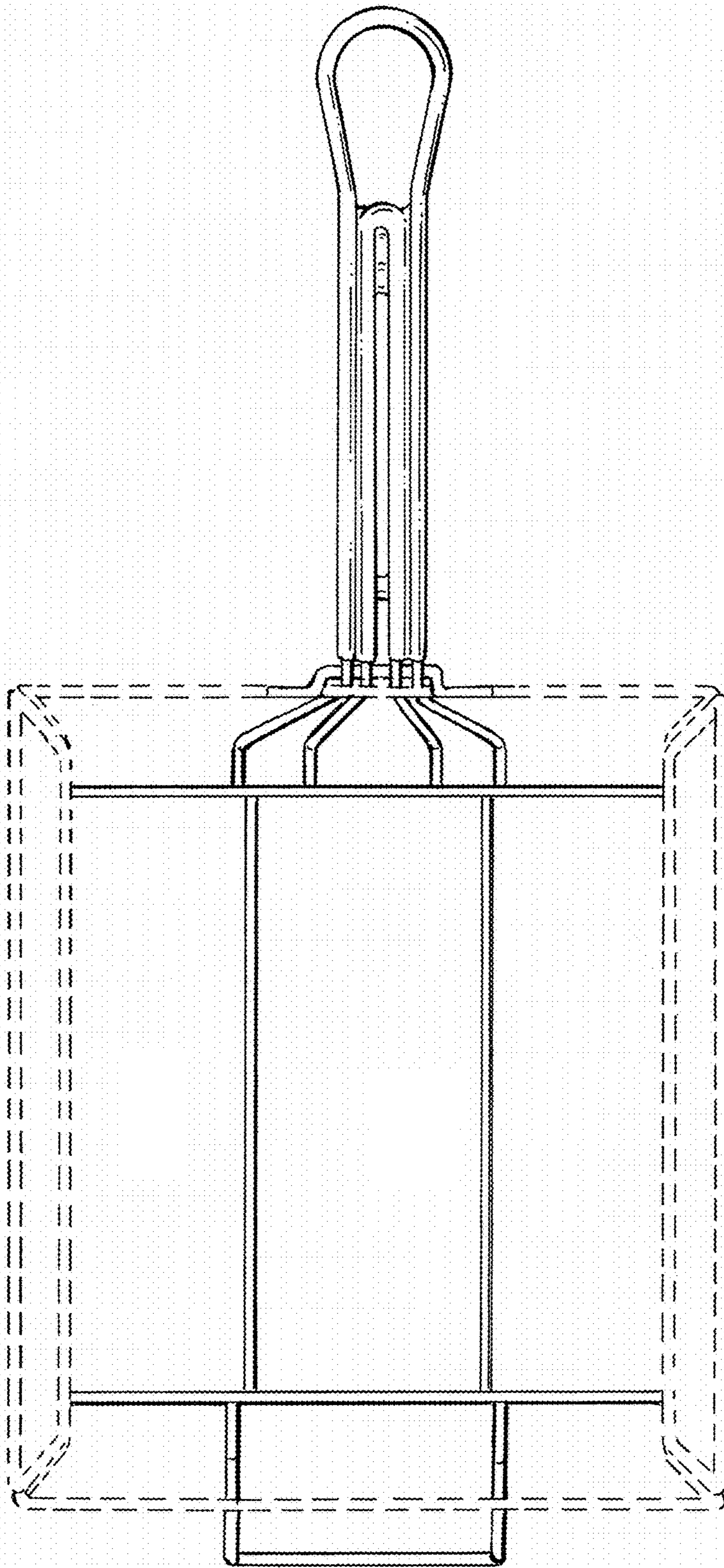


FIG. 18

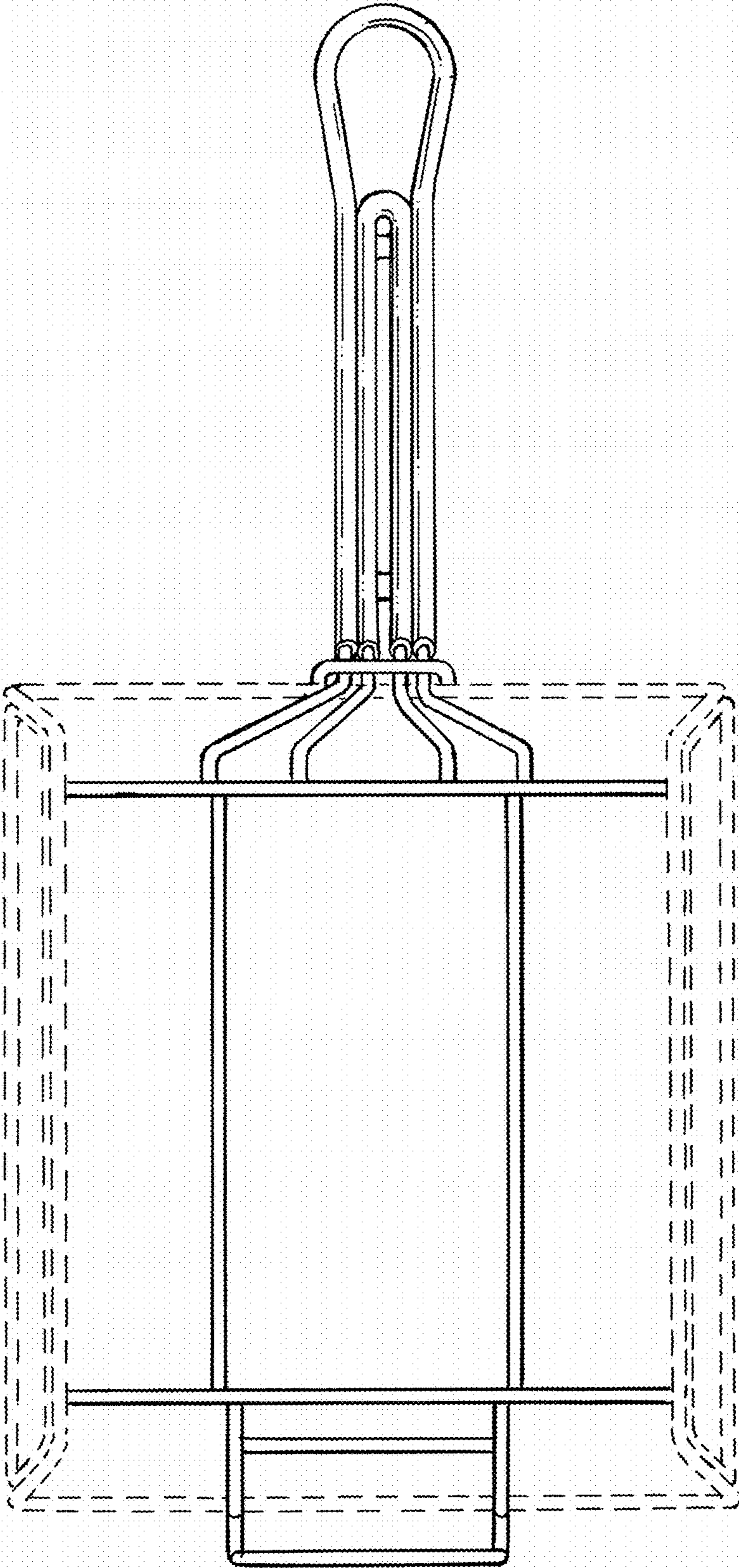


FIG. 19