



US00D825263S

(12) **United States Design Patent**
Funnell, II et al.

(10) **Patent No.:** **US D825,263 S**
(45) **Date of Patent:** **** Aug. 14, 2018**

- (54) **OVEN**
- (71) Applicant: **BSH Home Appliances Corporation**, Irvine, CA (US)
- (72) Inventors: **Richard W. Funnell, II**, Huntington Beach, CA (US); **Andrew Roberson**, Long Beach, CA (US); **Graham Sadtler**, Huntington Beach, CA (US)

- 4,314,648 A * 2/1982 Spanner A47F 1/12
193/2 R
- 4,370,838 A * 2/1983 Vermillion E04F 13/0814
52/127.9
- 4,403,761 A * 9/1983 Jamar A47B 97/001
248/222.51
- D273,609 S * 4/1984 Huffington, Jr. 4/559
- D297,264 S * 8/1988 Dickerson D25/119

(Continued)

- (73) Assignee: **BSH Home Appliances Corporation**, Irvine, CA (US)

(**) Term: **15 Years**

(21) Appl. No.: **29/594,550**

(22) Filed: **Feb. 21, 2017**

Related U.S. Application Data

- (62) Division of application No. 29/544,361, filed on Nov. 3, 2015, now Pat. No. Des. 784,752, which is a division of application No. 29/456,407, filed on May 31, 2013, now Pat. No. Des. 748,424.

(51) **LOC (11) Cl.** **07-02**

(52) **U.S. Cl.**
USPC **D7/402**

(58) **Field of Classification Search**
USPC D7/402, 405, 406, 323, 339-340,
D7/346-349, 350.1, 350.2, 350.3, 350.4,
D7/351, 332, 407, 354, 334; D8/382,
D8/339, 377; D25/124, 126, 119;
D23/386; D15/28

CPC .. H05B 1/0261; H05B 1/0263; H05B 1/0266;
F24C 3/008; F24C 5/00; F24C 7/00;
F24C 15/024; F24C 15/02; E06B 1/62

See application file for complete search history.

(56) **References Cited**

U.S. PATENT DOCUMENTS

- 3,198,340 A * 8/1965 Tokash A47F 7/145
211/49.1
- 3,717,258 A * 2/1973 McKinnon G09B 23/00
211/4

OTHER PUBLICATIONS

Vinyl J Channel, Internet Archive Wayback Machine [online], published Jan. 6, 2012, [retrieved on Mar. 5, 2018]. Retrieved from the Internet, URL: https://web.archive.org/web/20120106163807/http://www.specialserviceplastic.com/vinyl_flex_j.htm.*

(Continued)

Primary Examiner — Sheryl L Lane

Assistant Examiner — Nicole Christine Shiflet

(74) *Attorney, Agent, or Firm* — Michael E. Tschupp;
Andre Pallapies; Brandon G. Braun

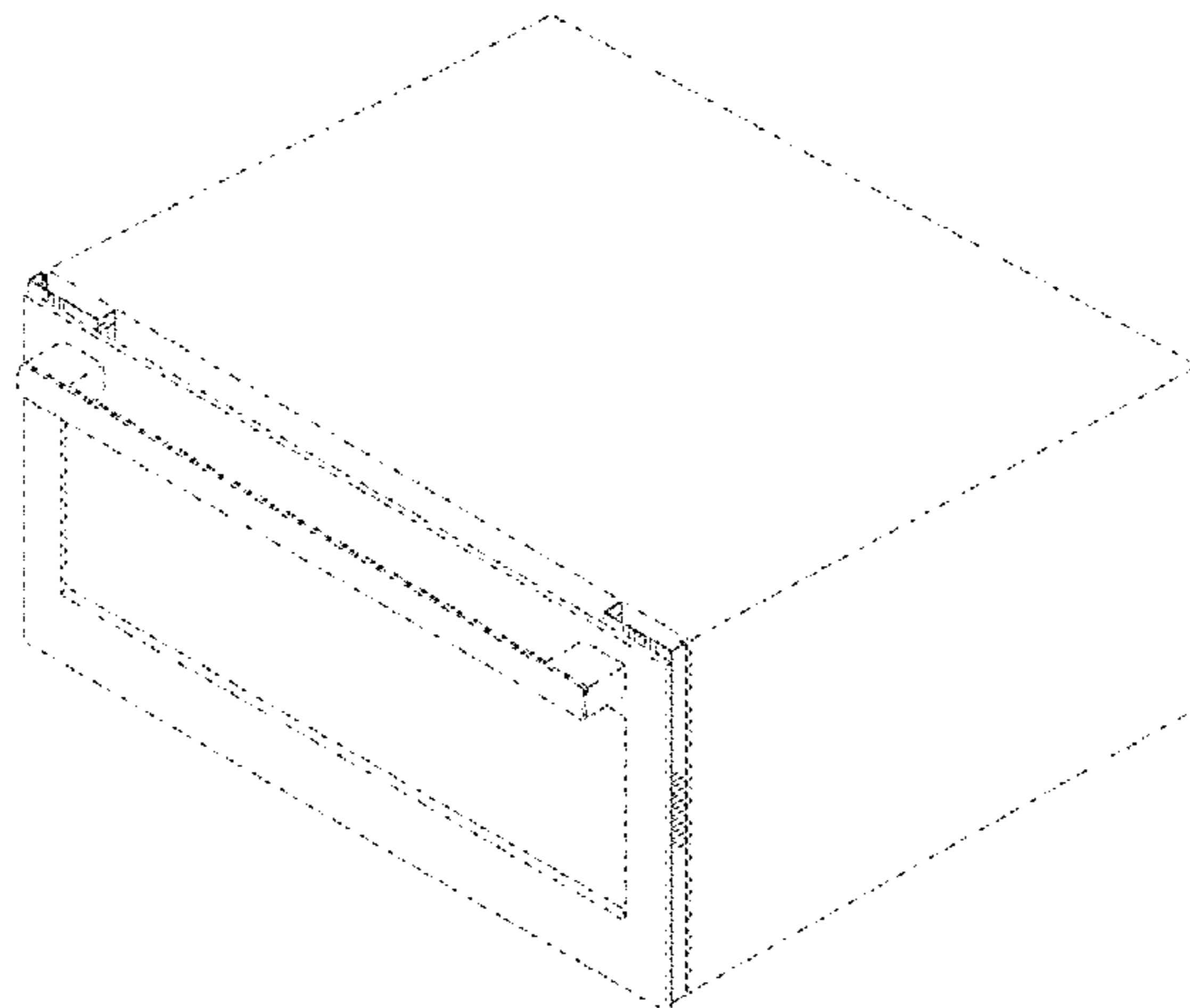
(57) **CLAIM**

The ornamental design for an oven, as shown and described.

DESCRIPTION

FIG. 1 is a front perspective view of an oven showing our new ornamental design;
FIG. 2 a front view thereof;
FIG. 3 is a top view thereof, with the bottom view thereof being a mirror image thereof; and,
FIG. 4 is a right hand view, with the left hand view being a mirror image thereof.
The broken lines represent environment and form no part of the claimed design.

1 Claim, 4 Drawing Sheets



(56)

References Cited

U.S. PATENT DOCUMENTS

D300,325 S * 3/1989 Pope D15/28
4,815,611 A * 3/1989 Gurzynski A47F 7/146
211/41.12
4,843,977 A * 7/1989 Bridges A47B 96/061
108/13
5,282,344 A * 2/1994 Moore E04F 19/06
52/211
5,638,644 A * 6/1997 Bastian A47B 57/30
403/363
D420,149 S * 2/2000 Hersh D25/119
6,659,295 B1 * 12/2003 De Land A47B 96/04
211/184
D508,741 S * 8/2005 Mitrevics D25/124
D577,114 S * 9/2008 Yusa D23/386
D586,453 S * 2/2009 Yusa D23/386
D594,276 S * 6/2009 Hamlin D7/402
D649,266 S * 11/2011 Knight D25/126
D720,473 S * 12/2014 Knox D25/119
D761,971 S * 7/2016 Apanovich D25/119
D762,310 S * 7/2016 Apanovich D25/119
D784,752 S * 4/2017 Funnell, II D7/348

OTHER PUBLICATIONS

Odd Leak—Ideas?, Mobile Home Repair Forum [online], published Jul. 15, 2008, [retrieved on Mar. 5, 2018]. Retrieved from the Internet, URL: <https://www.mobilehomerepair.com/phpbb/viewtopic.php?t=3416>.*

* cited by examiner

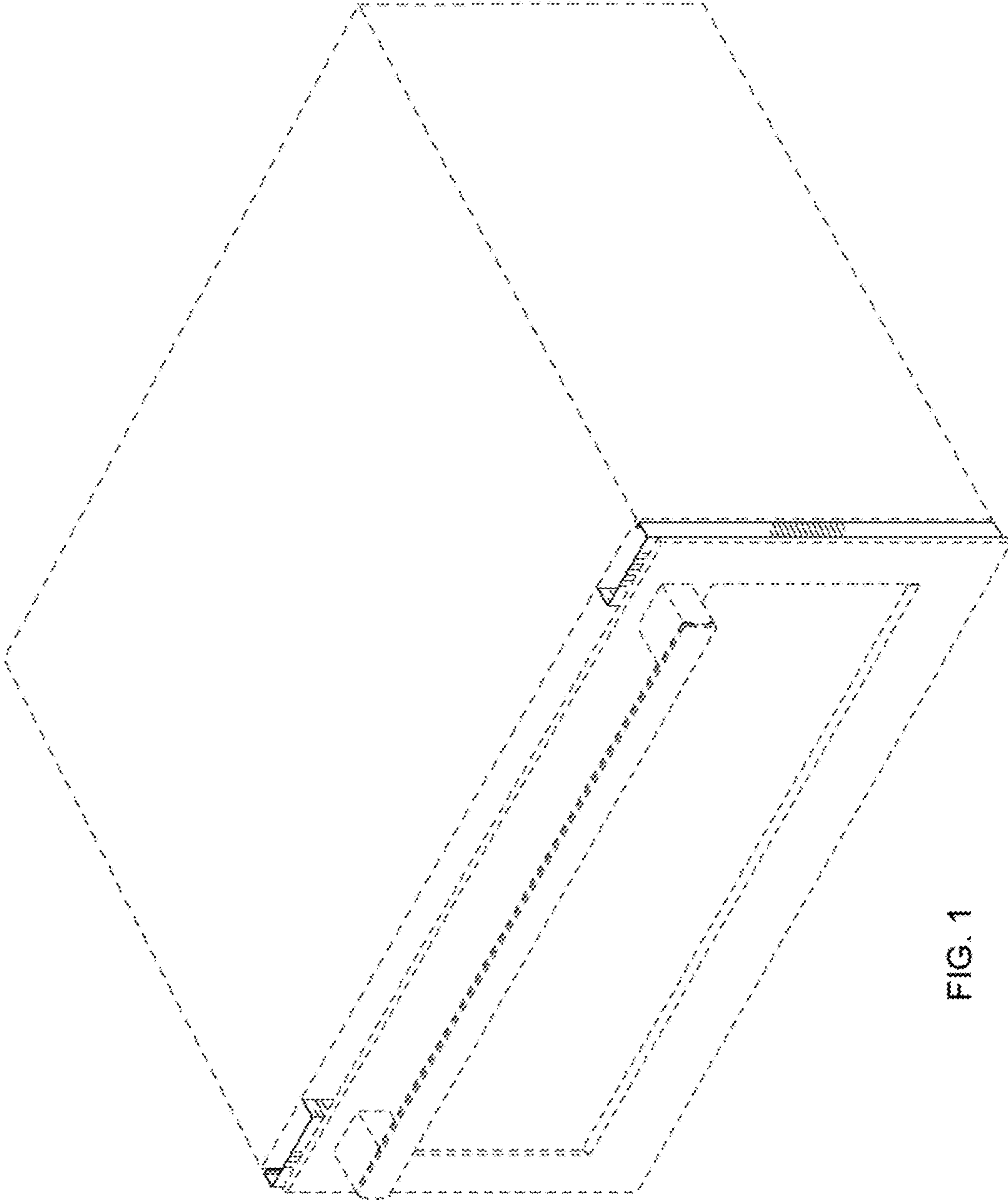


FIG. 1

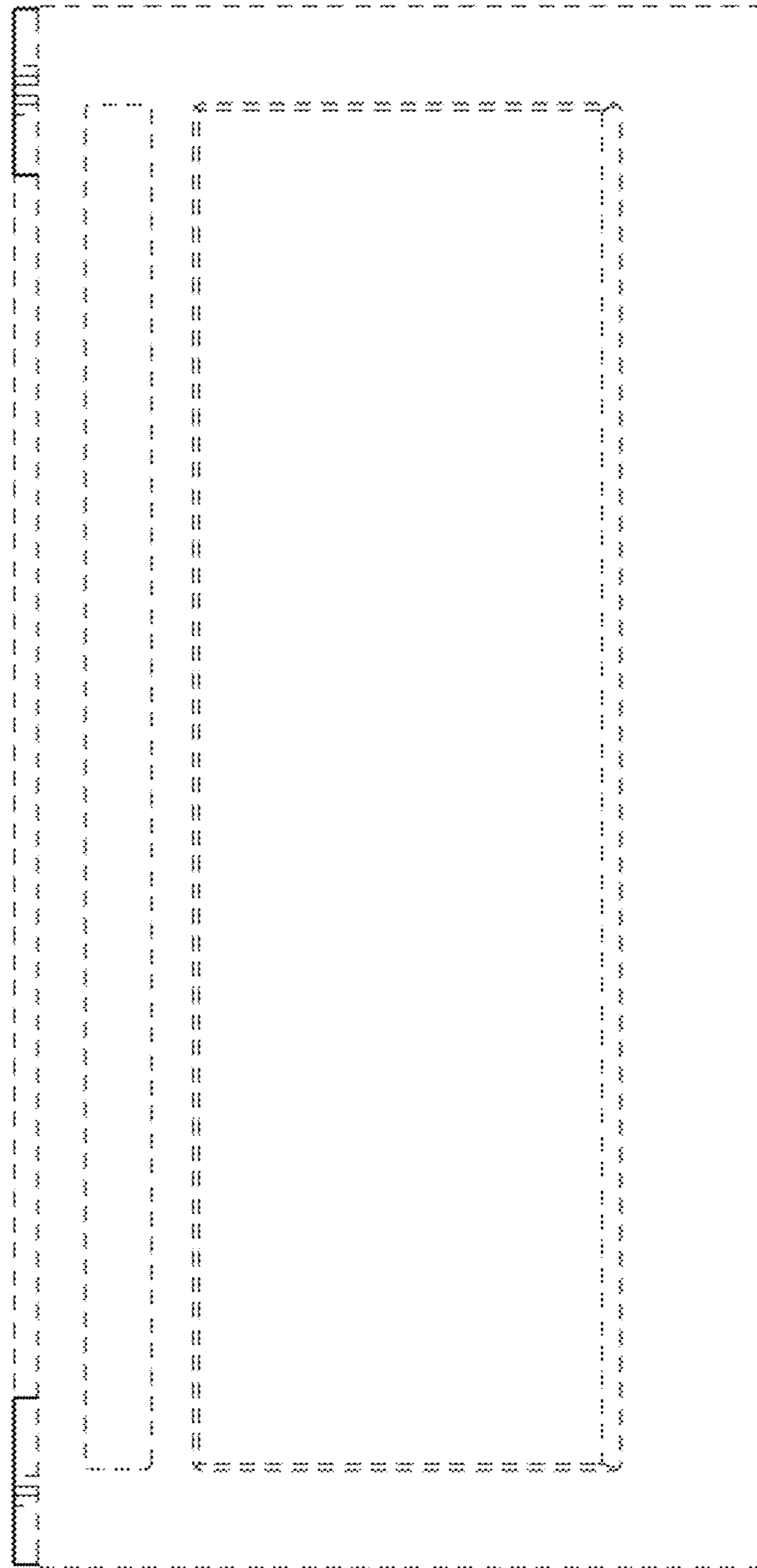


FIG. 2

FIG. 3

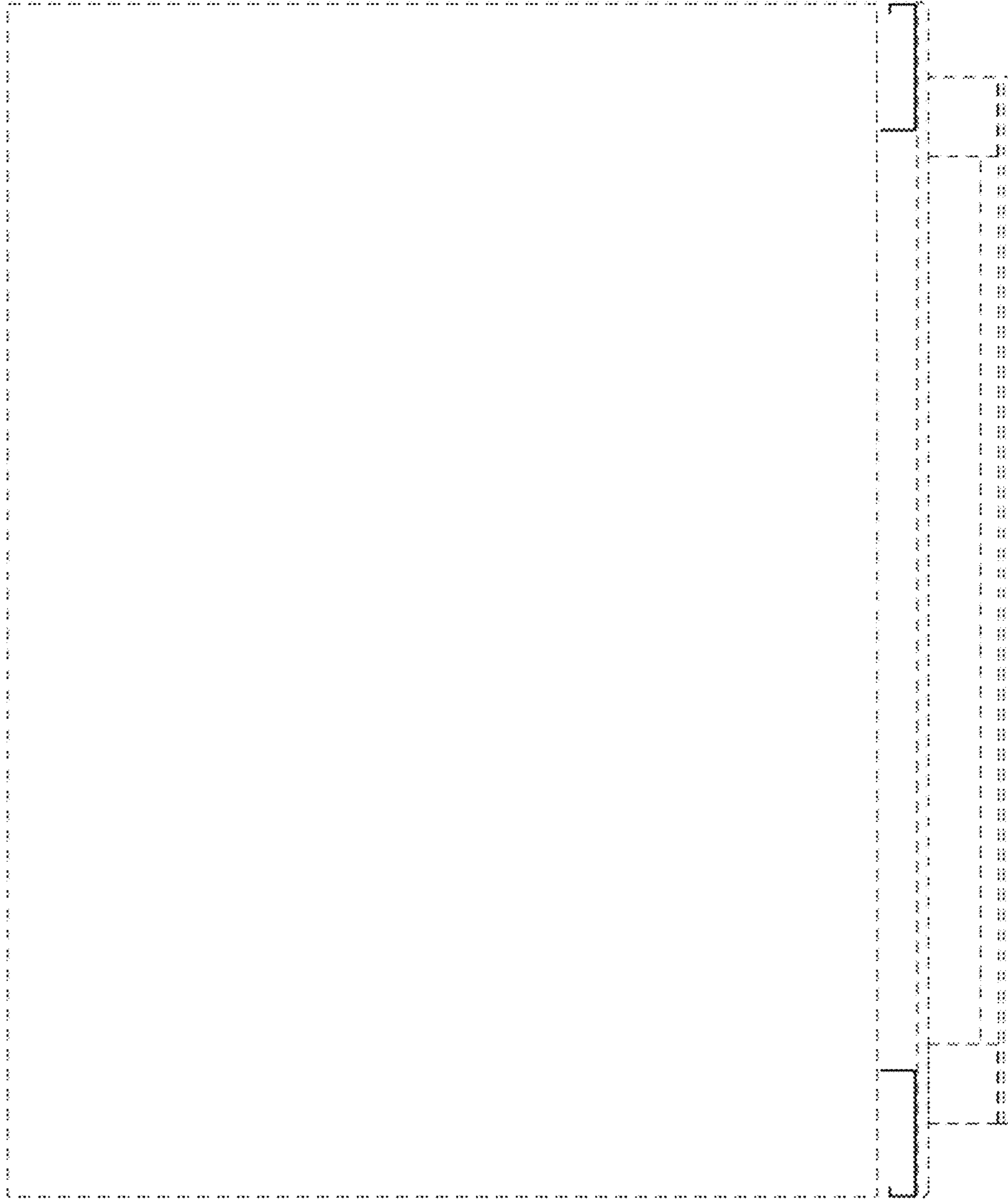


FIG. 4

